



US00D531675S

(12) **United States Design Patent**
Cetera

(10) **Patent No.:** **US D531,675 S**

(45) **Date of Patent:** **** Nov. 7, 2006**

(54) **MEMO HOLDER**

(75) Inventor: **Carl Cetera**, Tenafly, NJ (US)

(73) Assignee: **Calibre Custom Design and Manufacturing, LLC**, Carlstadt, NJ (US)

(**) Term: **14 Years**

(21) Appl. No.: **29/246,270**

(22) Filed: **Mar. 28, 2006**

(51) **LOC (8) Cl.** **19-02**

(52) **U.S. Cl.** **D19/91**

(58) **Field of Classification Search** D8/394,
D8/395; D19/65, 72, 86, 87, 88, 90, 91, 99,
D19/100; 24/67 R, 67.3, 67.5, 67.7, 67.9,
24/67.11, 489, 563, 564, 570, DIG. 8, DIG. 9;
40/658, 666

See application file for complete search history.

(56) **References Cited**

U.S. PATENT DOCUMENTS

| | | | | | |
|------------|---|--------|----------|-------|--------|
| D333,155 S | * | 2/1993 | Hiomori | | D19/65 |
| D373,385 S | * | 9/1996 | Birkholz | | D19/72 |
| D393,878 S | * | 4/1998 | Suzuki | | D19/65 |
| D406,170 S | * | 2/1999 | Wolff | | D19/65 |

| | | | | | |
|------------|---|--------|----------------|-------|--------|
| D406,171 S | * | 2/1999 | Wolff | | D19/65 |
| D420,049 S | * | 2/2000 | Robillard | | D19/72 |
| D436,627 S | * | 1/2001 | Bardet | | D19/90 |
| D452,709 S | * | 1/2002 | Najmi | | D19/86 |
| D514,434 S | * | 2/2006 | Mariano et al. | | D8/395 |

* cited by examiner

Primary Examiner—Elizabeth A. Albert

(74) *Attorney, Agent, or Firm*—The Soni Law Firm

(57) **CLAIM**

The ornamental design for a memo holder, as shown and described.

DESCRIPTION

FIG. 1 is a front side perspective view of a memo holder showing my new design;
FIG. 2 is a front elevational view thereof;
FIG. 3 is a side elevational view thereof;
FIG. 4 is a back elevational view thereof;
FIG. 5 is a top plan view thereof;
FIG. 6 is a bottom plan view thereof;
FIG. 7 is an alternate front side perspective view thereof;
FIG. 8 is an alternate side elevational view thereof;
FIG. 9 is an alternative top plan view thereof; and,
FIG. 10 is an alternate bottom plan view thereof.

1 Claim, 5 Drawing Sheets

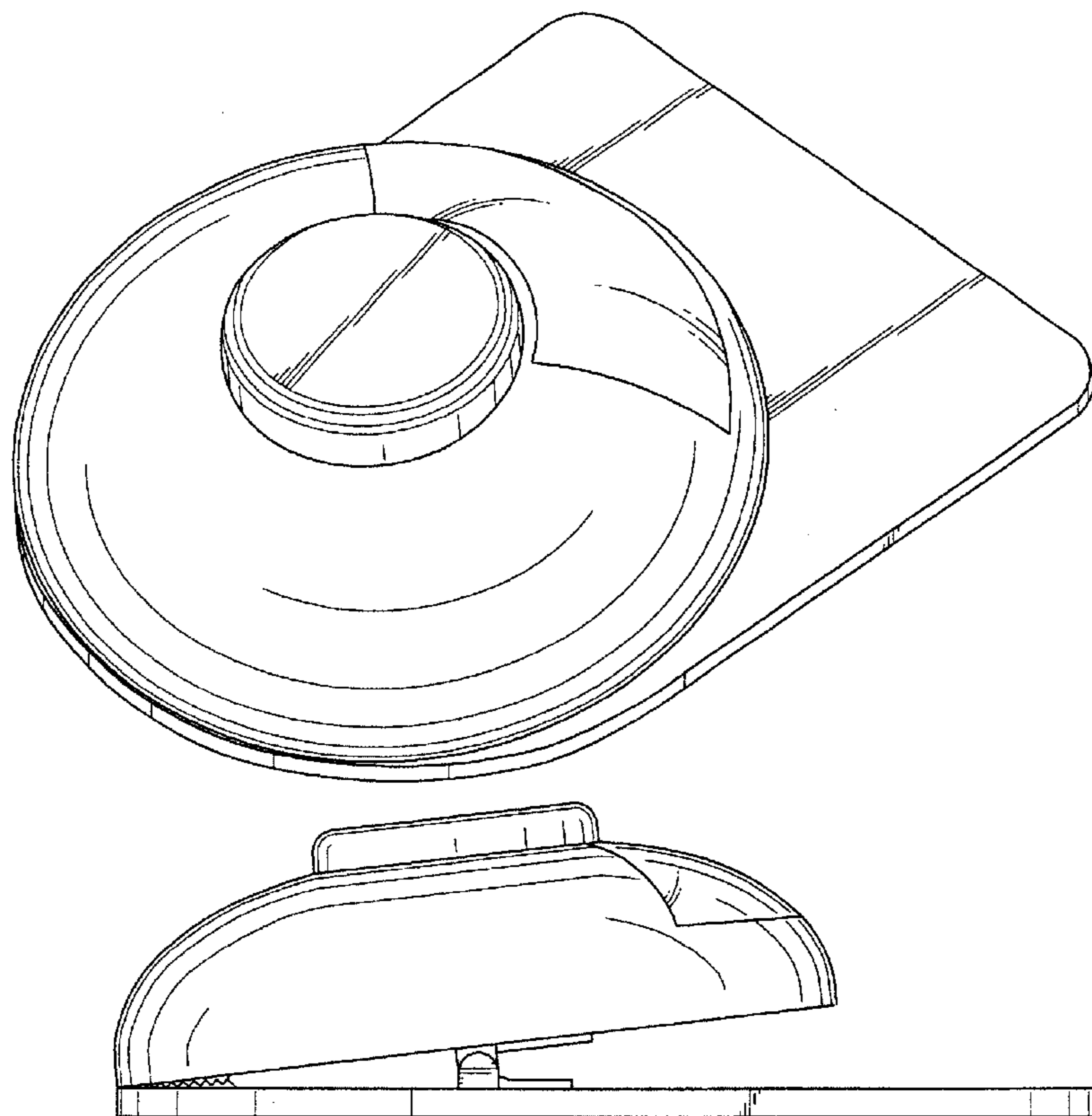


FIG. 1

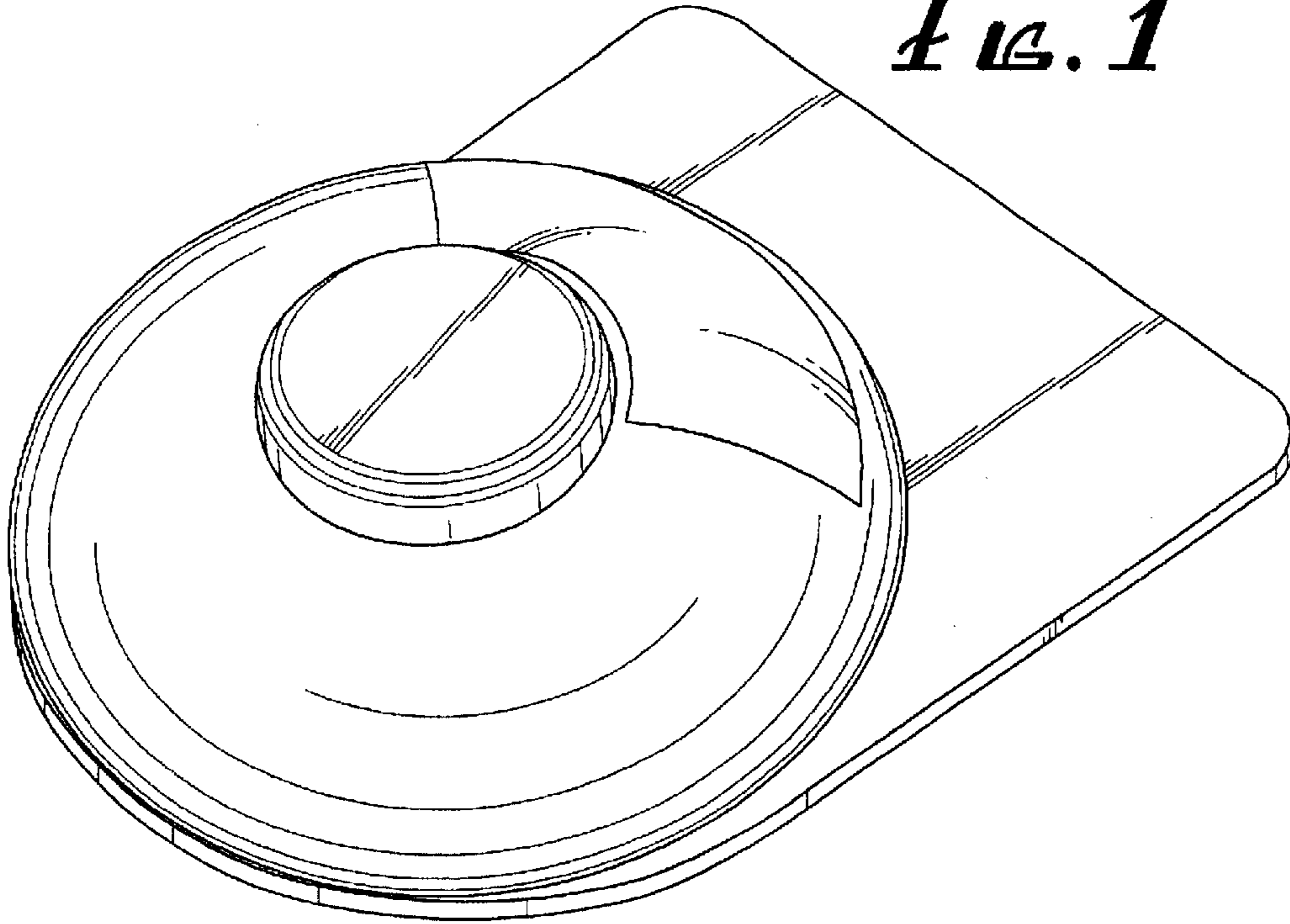
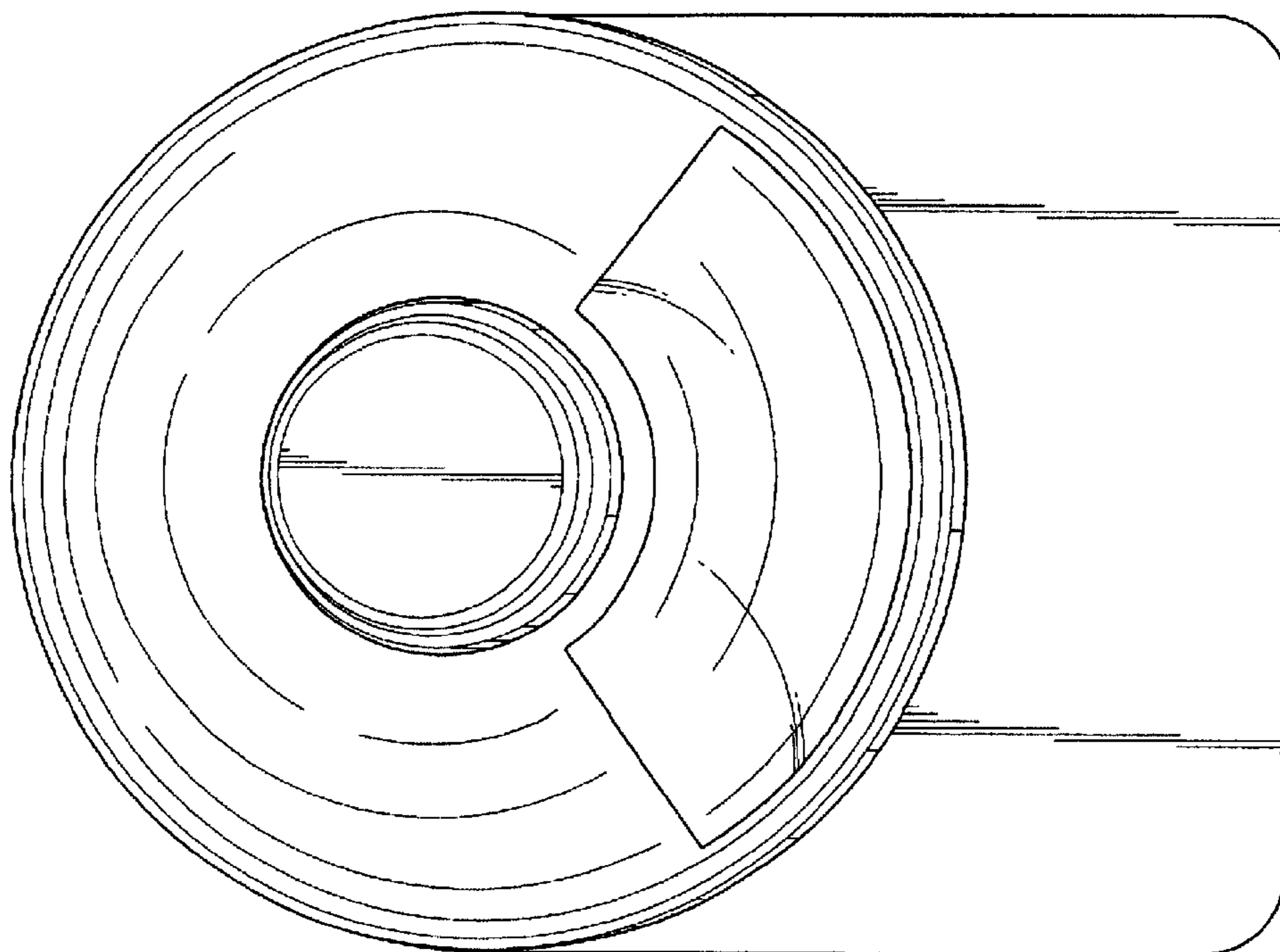


FIG. 2



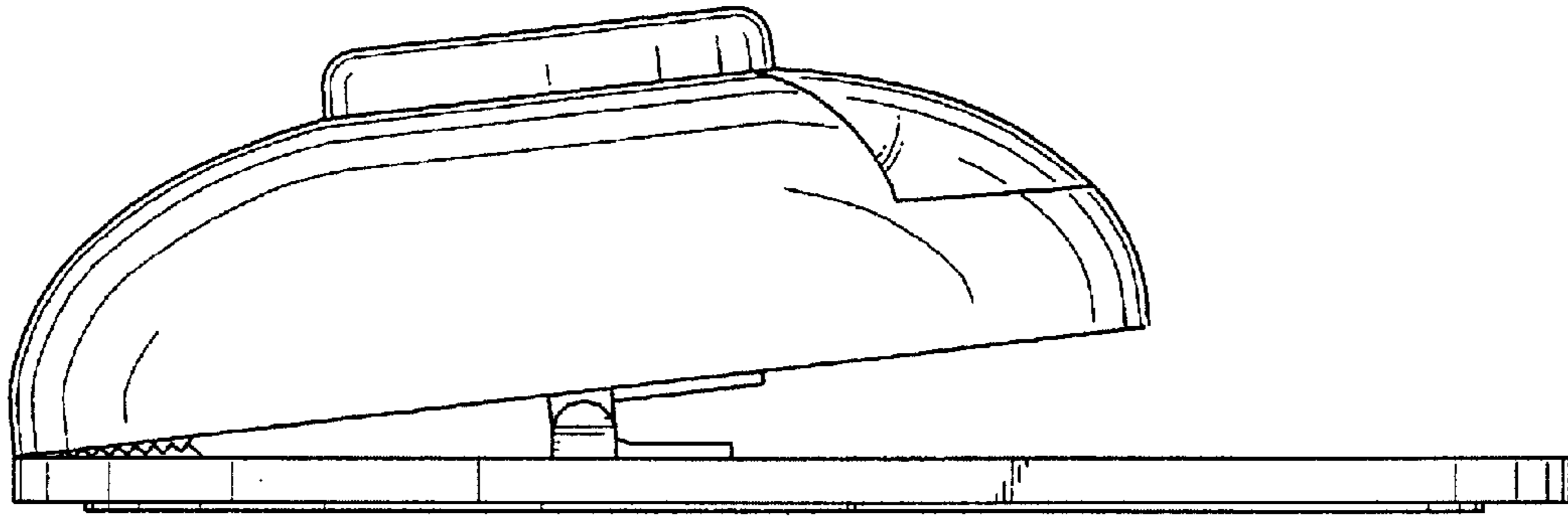


FIG. 3

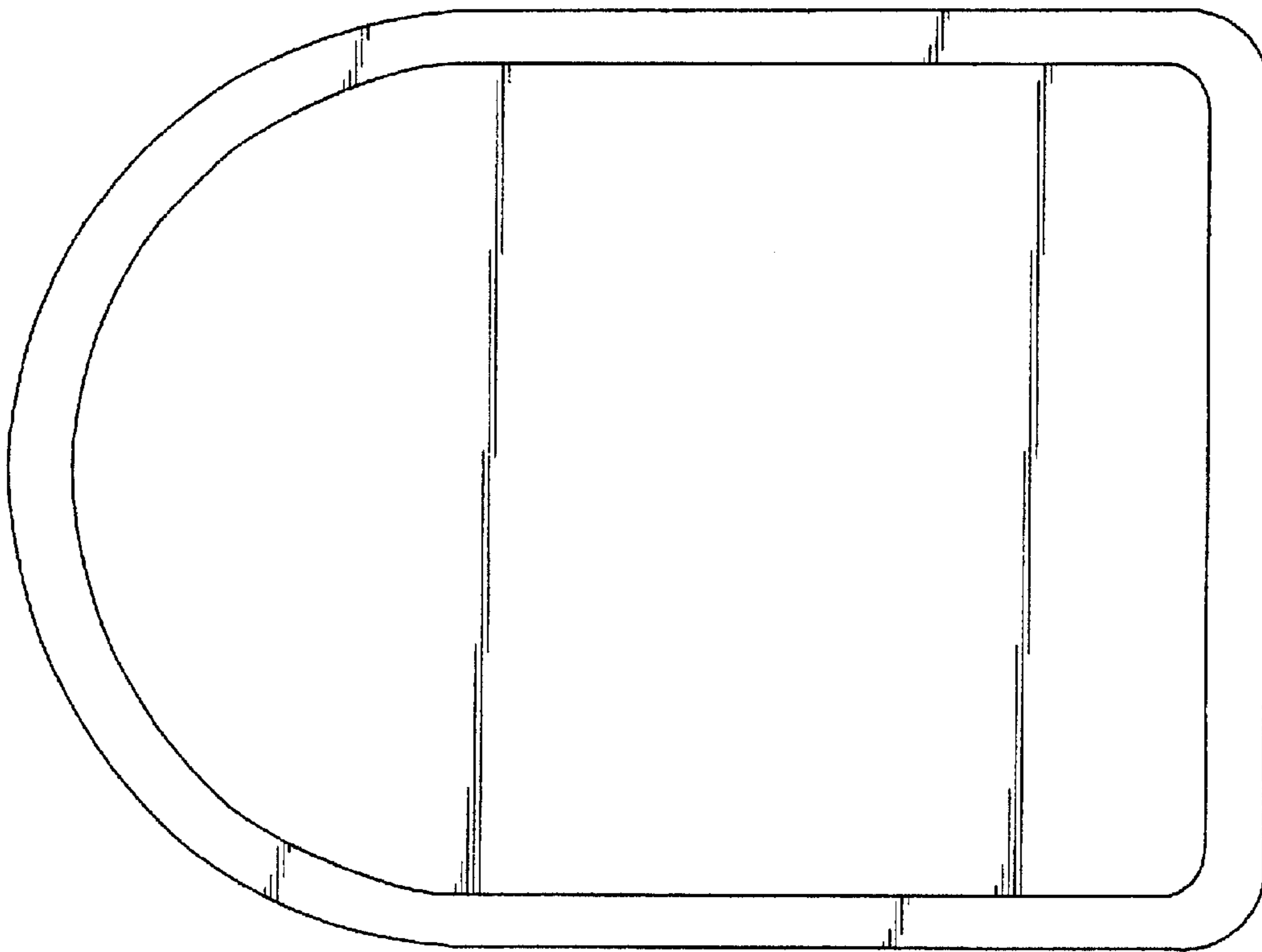


FIG. 4

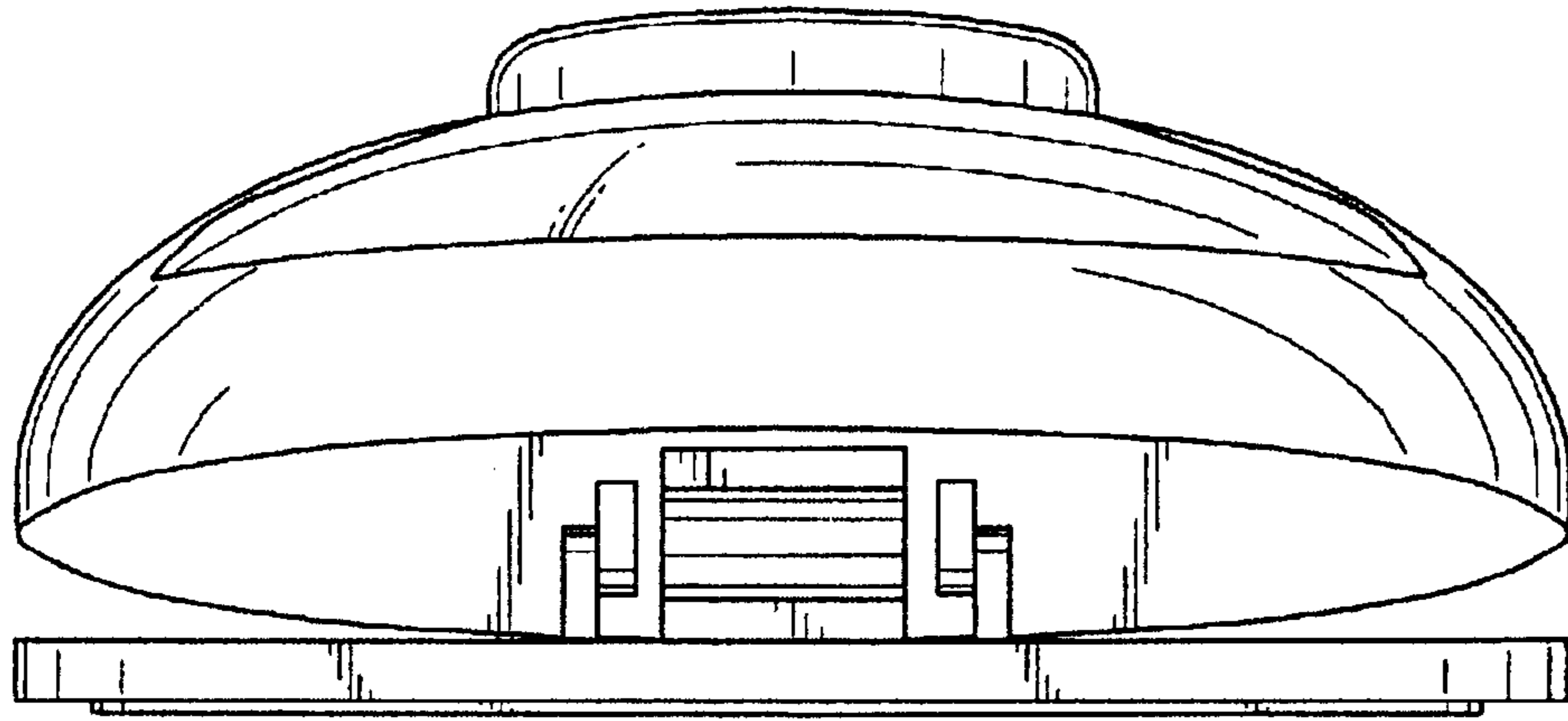


FIG. 5

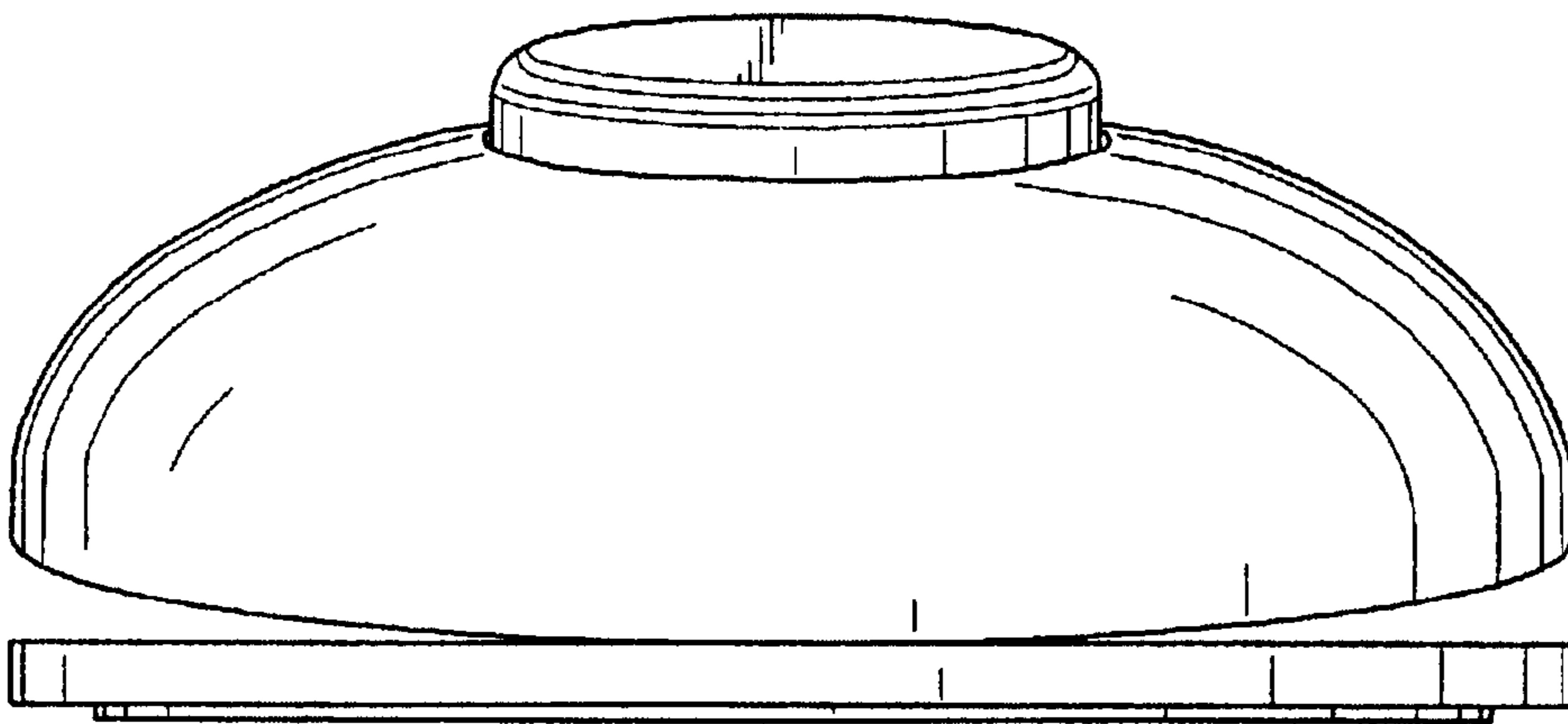


FIG. 6

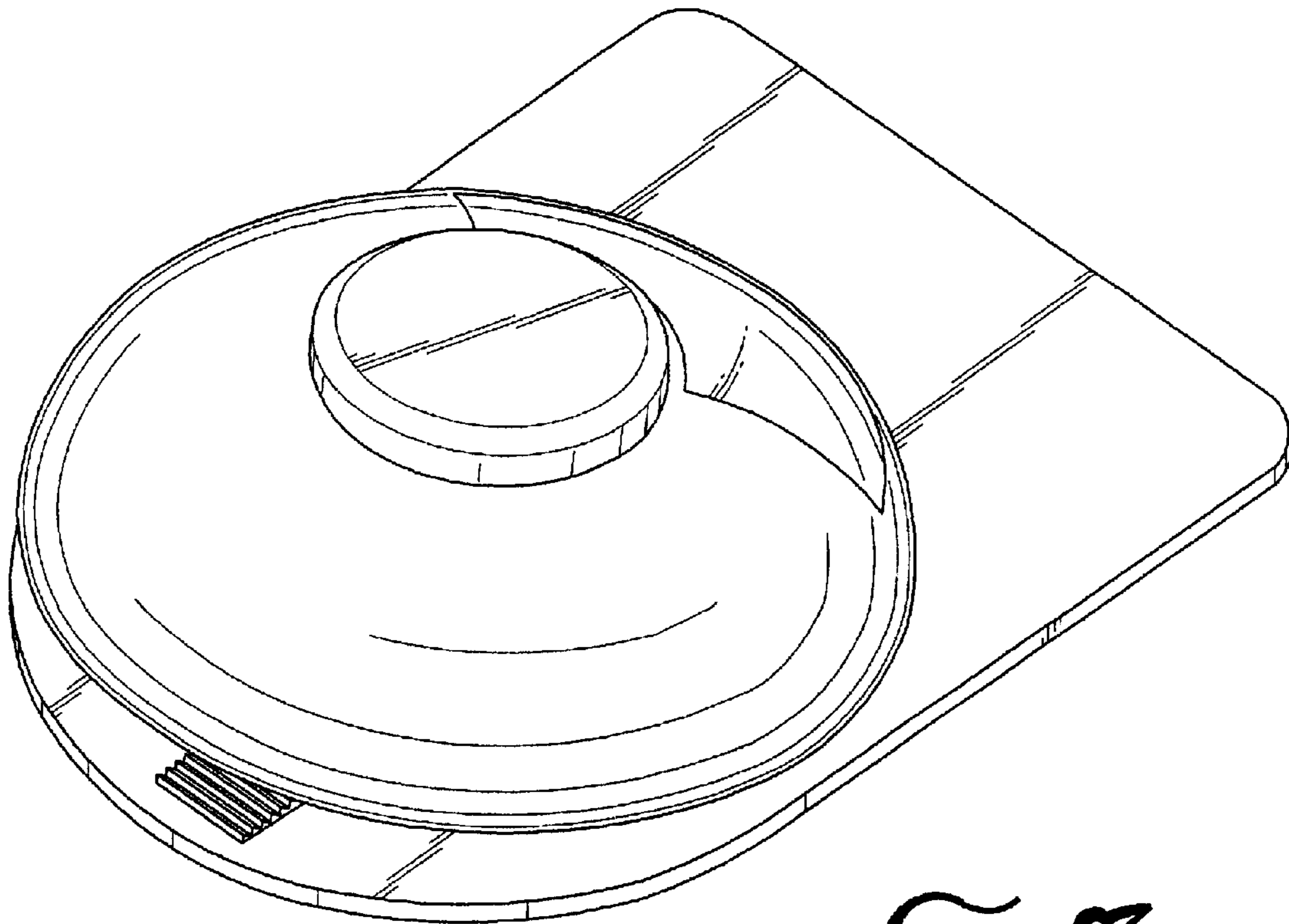


FIG. 7

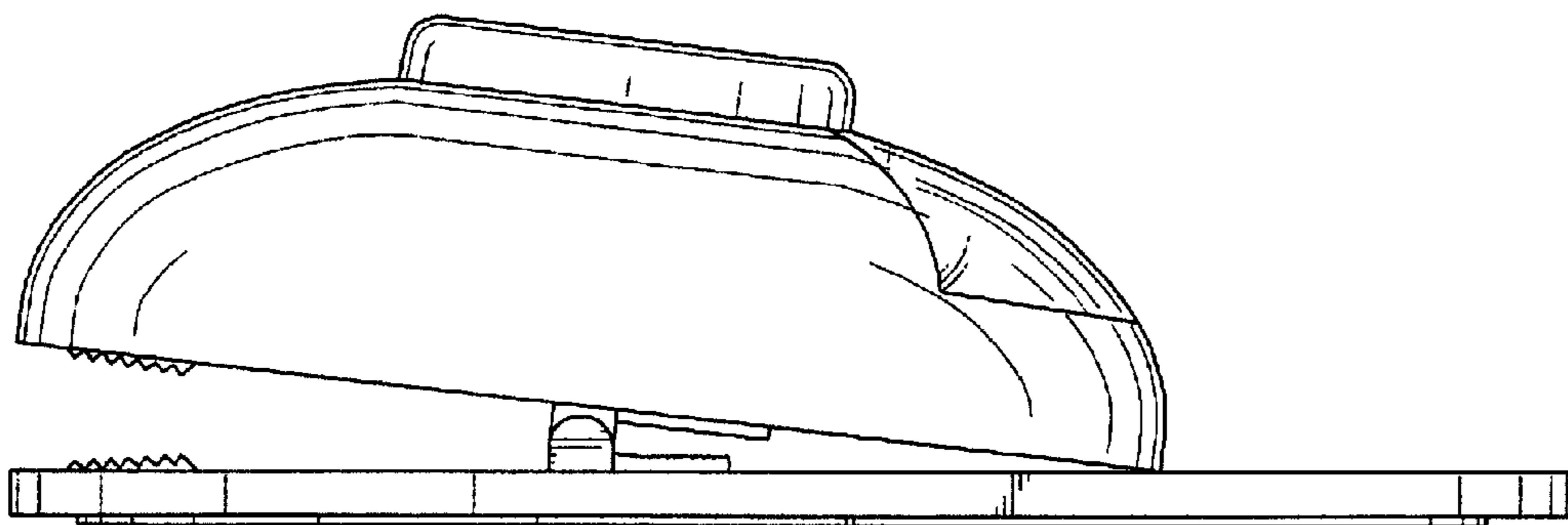


FIG. 8

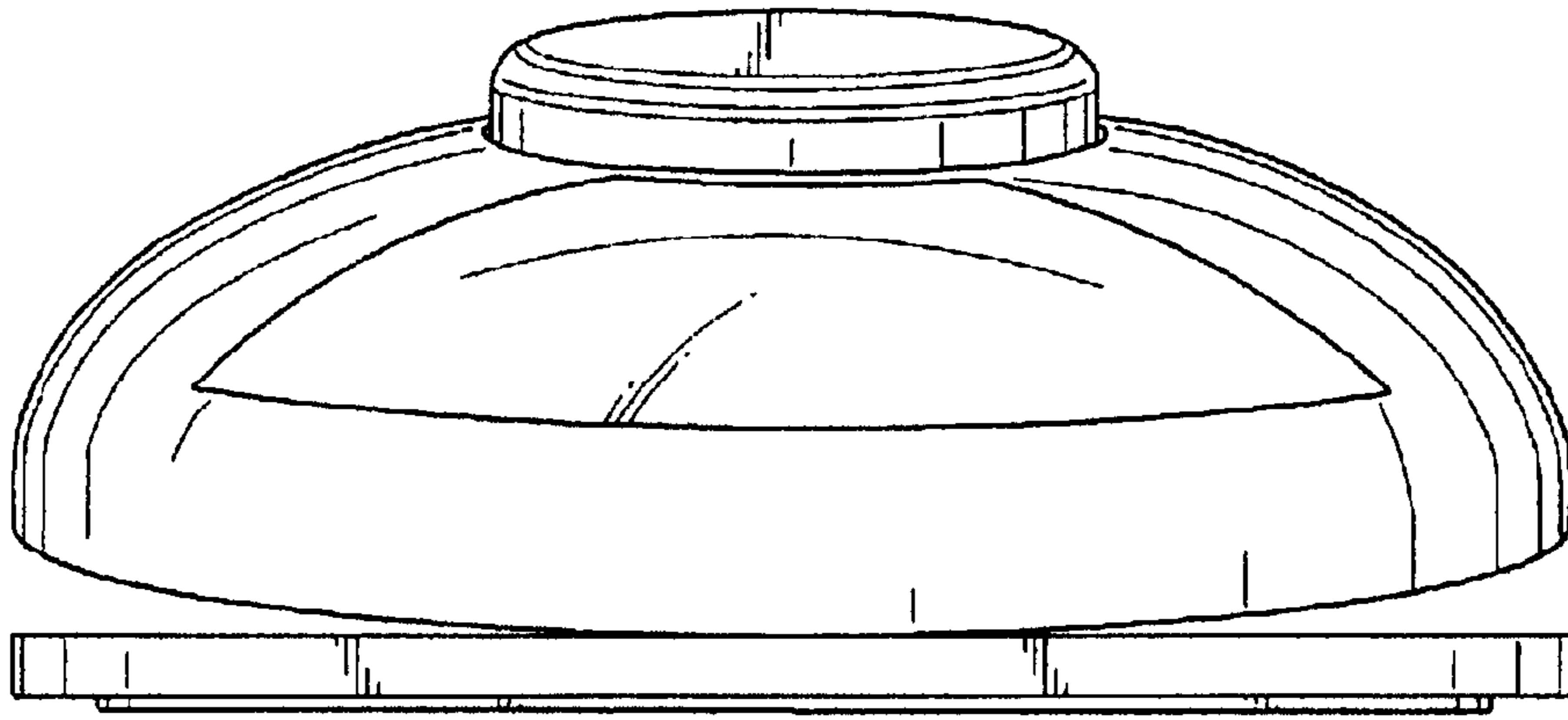


FIG. 9

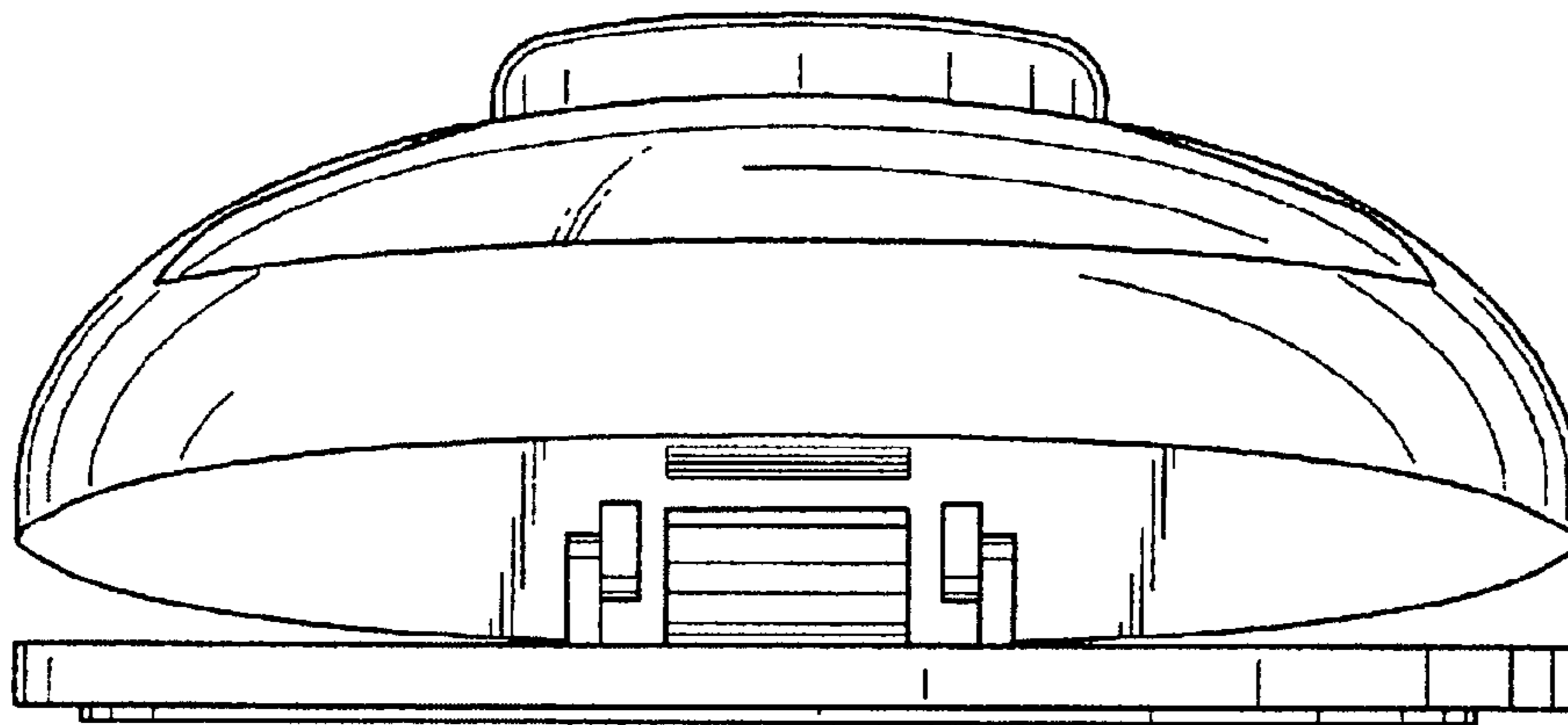


FIG. 10

UNITED STATES PATENT AND TRADEMARK OFFICE
CERTIFICATE OF CORRECTION

PATENT NO. : Des. 531,675 S
APPLICATION NO. : 29/246270
DATED : November 7, 2006
INVENTOR(S) : Carl Cetera

Page 1 of 1

It is certified that error appears in the above-identified patent and that said Letters Patent is hereby corrected as shown below:

Title Page # 73 in the first column thereof, the name of the assignee should be
--Cotapaxi Custom Design and Manufacturing, LLC.--

Signed and Sealed this

Ninth Day of January, 2007

A handwritten signature in black ink on a light gray dotted background. The signature reads "Jon W. Dudas" in a cursive style.

JON W. DUDAS

Director of the United States Patent and Trademark Office