



US00D531674S

(12) **United States Design Patent** (10) **Patent No.:** **US D531,674 S**
Oh (45) **Date of Patent:** **** Nov. 7, 2006**

(54) **CRAFT PUNCH**

(75) Inventor: **Wan-Young Oh**, Seoul (KR)

(73) Assignee: **DN Craft Corporation**, Seoul (KR)

(**) Term: **14 Years**

(21) Appl. No.: **29/222,507**

(22) Filed: **Jan. 31, 2005**

(51) **LOC (8) Cl.** **19-02**

(52) **U.S. Cl.** **D19/72**

(58) **Field of Classification Search** D8/49,
D8/98; D19/72, 73; 30/229, 358, 363; 83/467.1,
83/588, 620, 633, 684, 691, 698.91; 227/134
See application file for complete search history.

(56) **References Cited**

U.S. PATENT DOCUMENTS

4,713,995 A * 12/1987 Davi 83/167
D350,564 S * 9/1994 Goodin D19/72
D352,316 S * 11/1994 Zier D19/72
5,974,929 A * 11/1999 Kugel et al. 83/582

6,752,058 B1 * 6/2004 Oh 83/620
2003/0037657 A1 * 2/2003 Oh et al. 83/620
2005/0211041 A1 * 9/2005 Oh 83/588

* cited by examiner

Primary Examiner—Elizabeth A. Albert

(74) *Attorney, Agent, or Firm*—Jones Day

(57) **CLAIM**

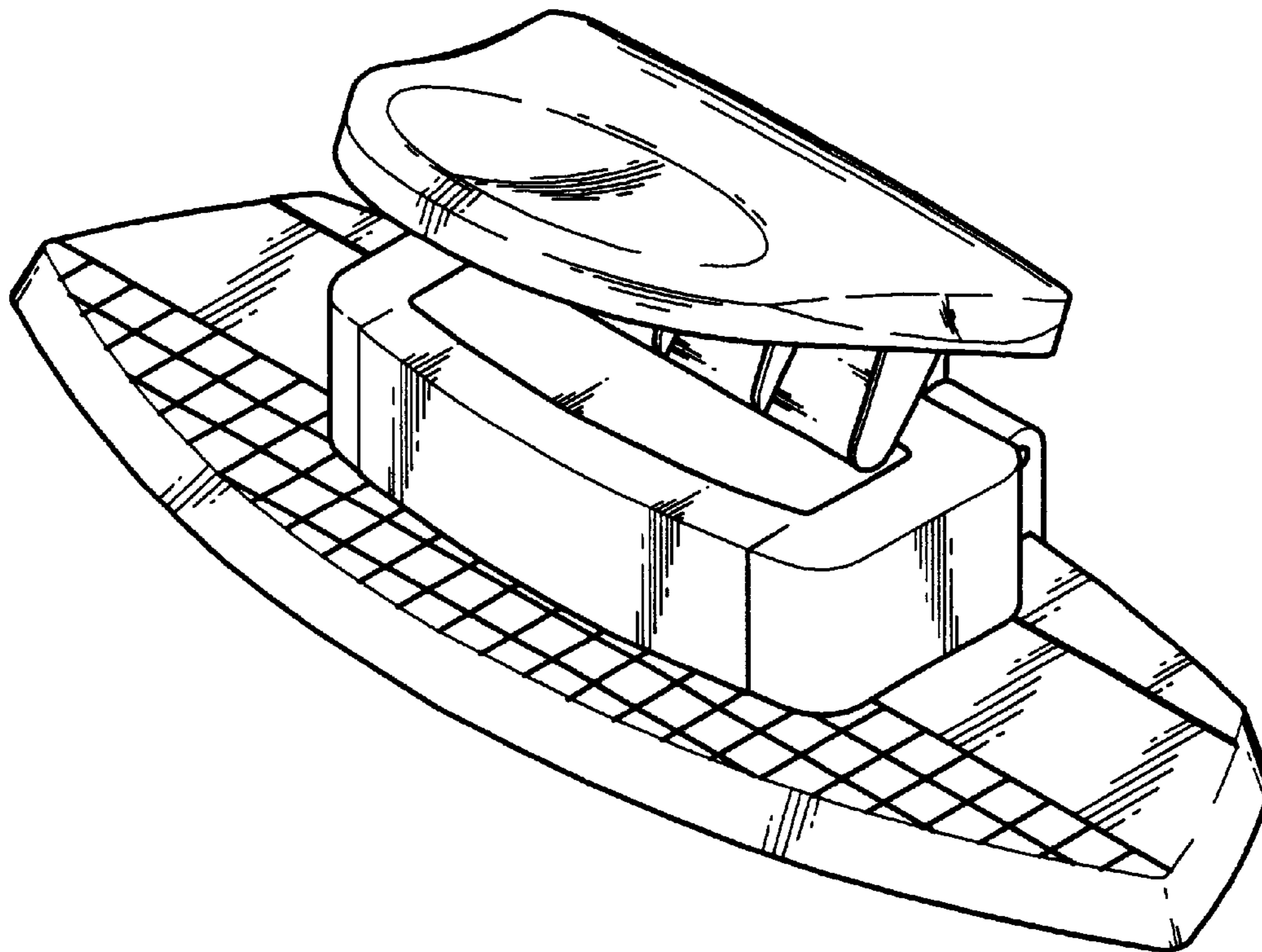
The ornamental design for a craft punch, as shown and described.

DESCRIPTION

FIG. 1 is a front end, right side and top perspective view of a craft punch showing my new design; FIG. 2 is a front elevation view thereof; FIG. 3 is a rear elevation view thereof; FIG. 4 is a right side elevation view thereof; FIG. 5 is a left side elevation view thereof; FIG. 6 is a top plan view thereof; and, FIG. 7 is a bottom plan view thereof.

All portions shown in broken lines are environmental and illustrative only and form no part of the claimed design.

1 Claim, 4 Drawing Sheets



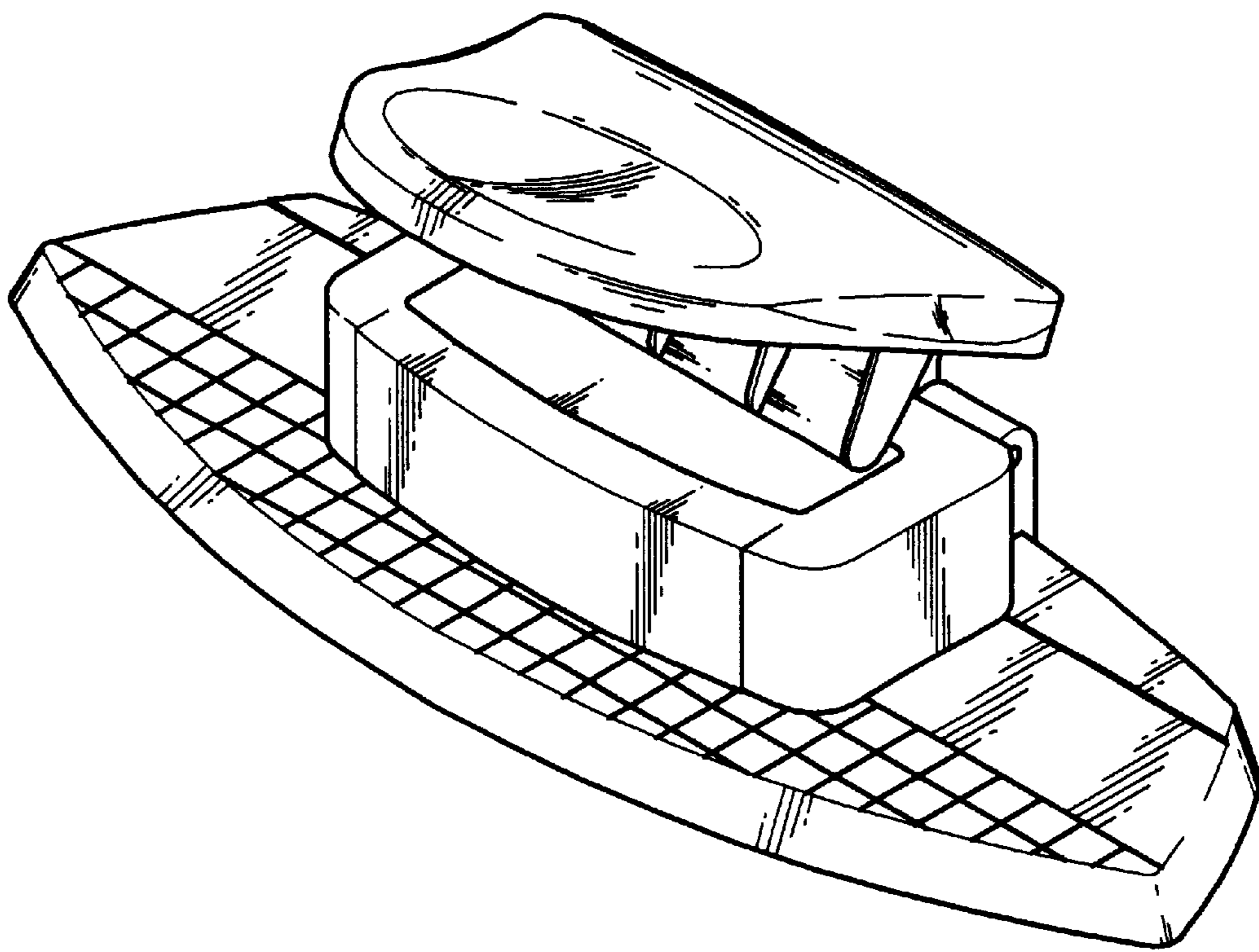


FIG. 1

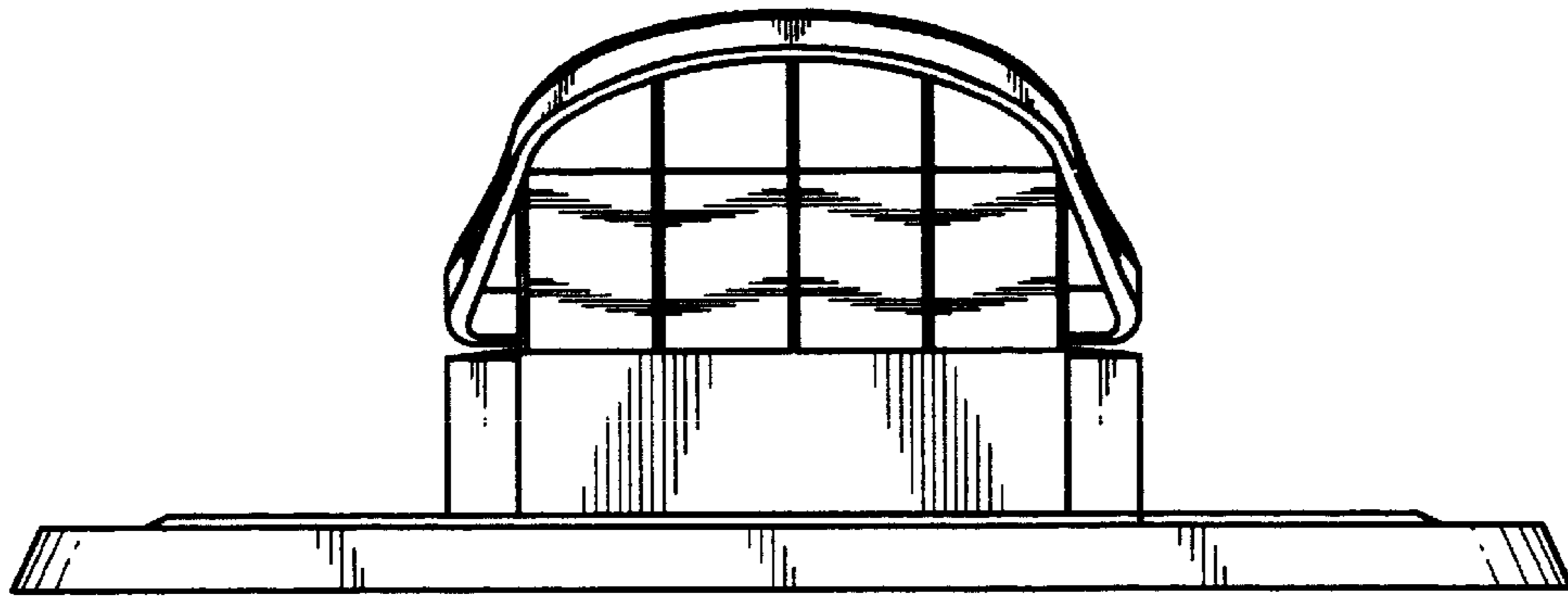


FIG. 2

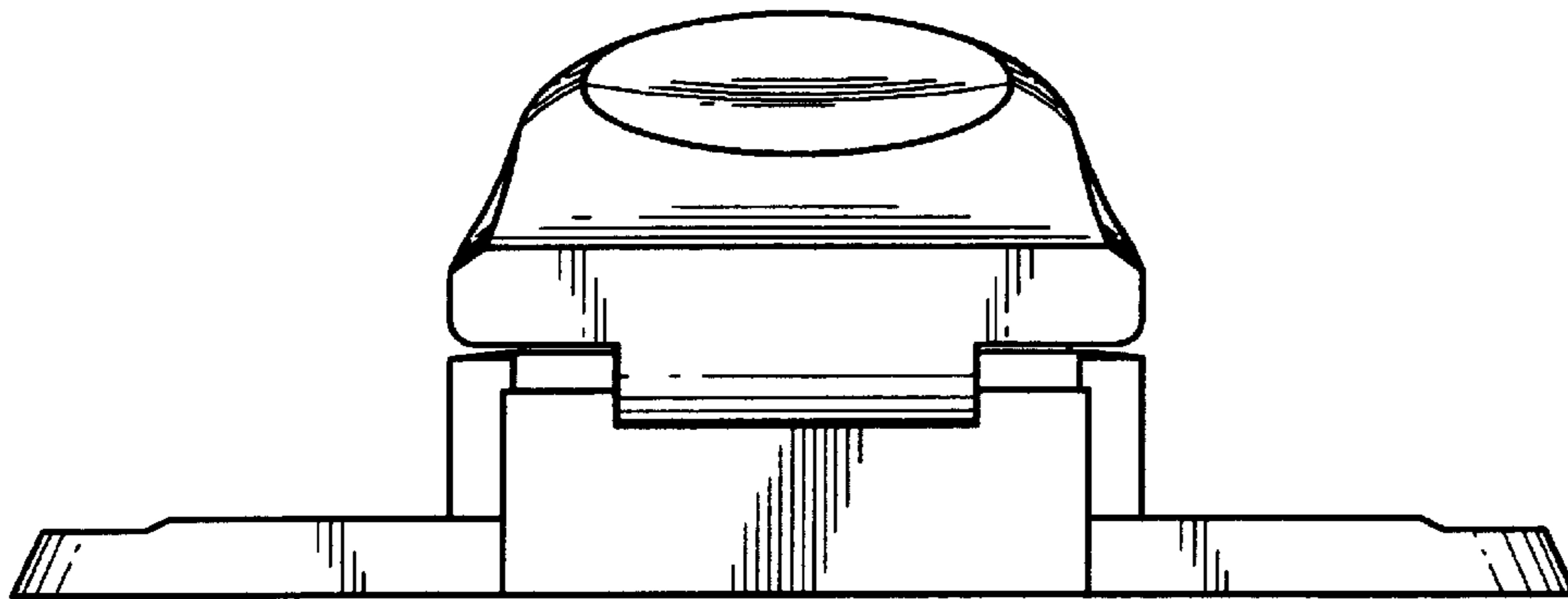


FIG. 3

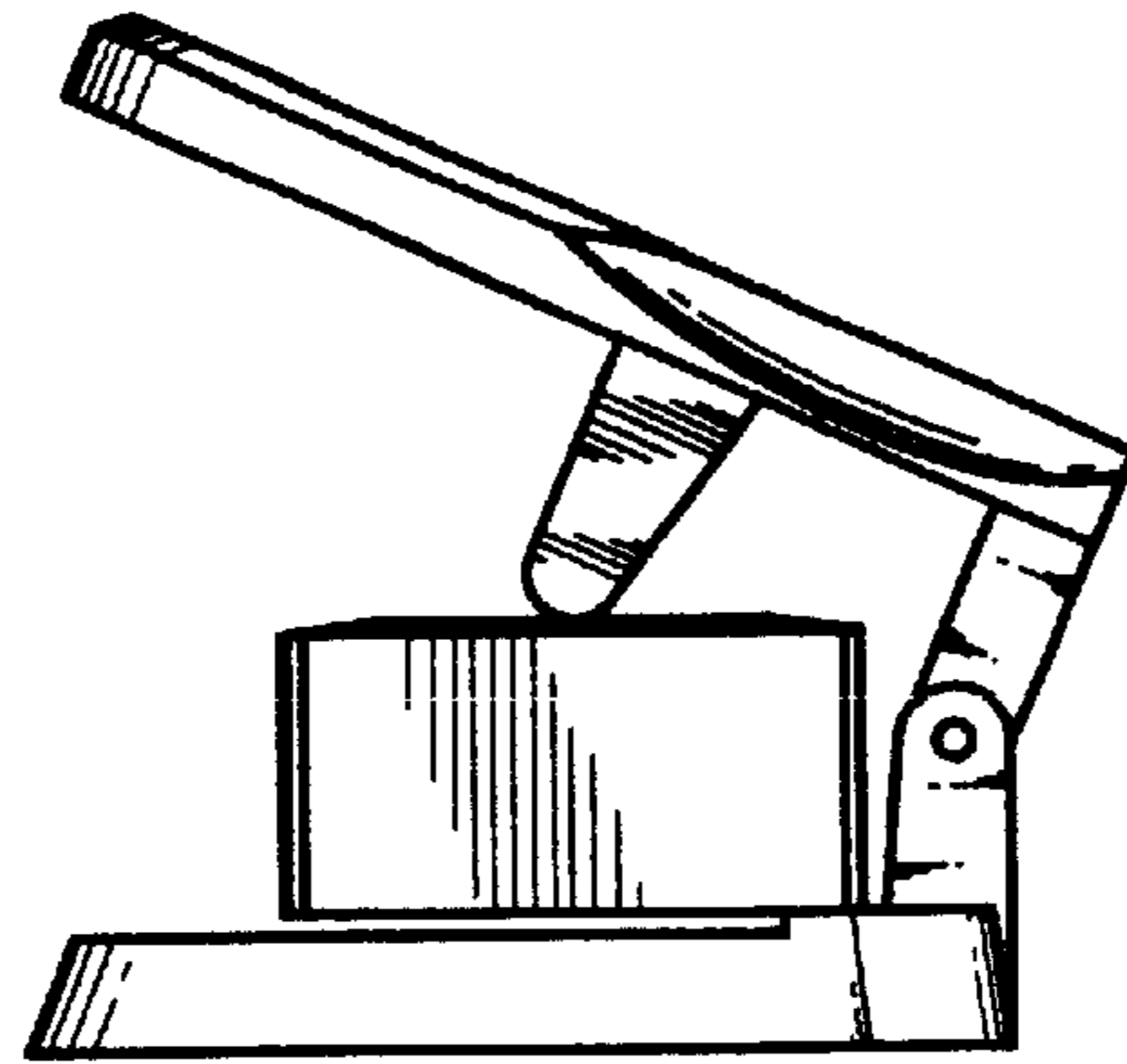


FIG. 4

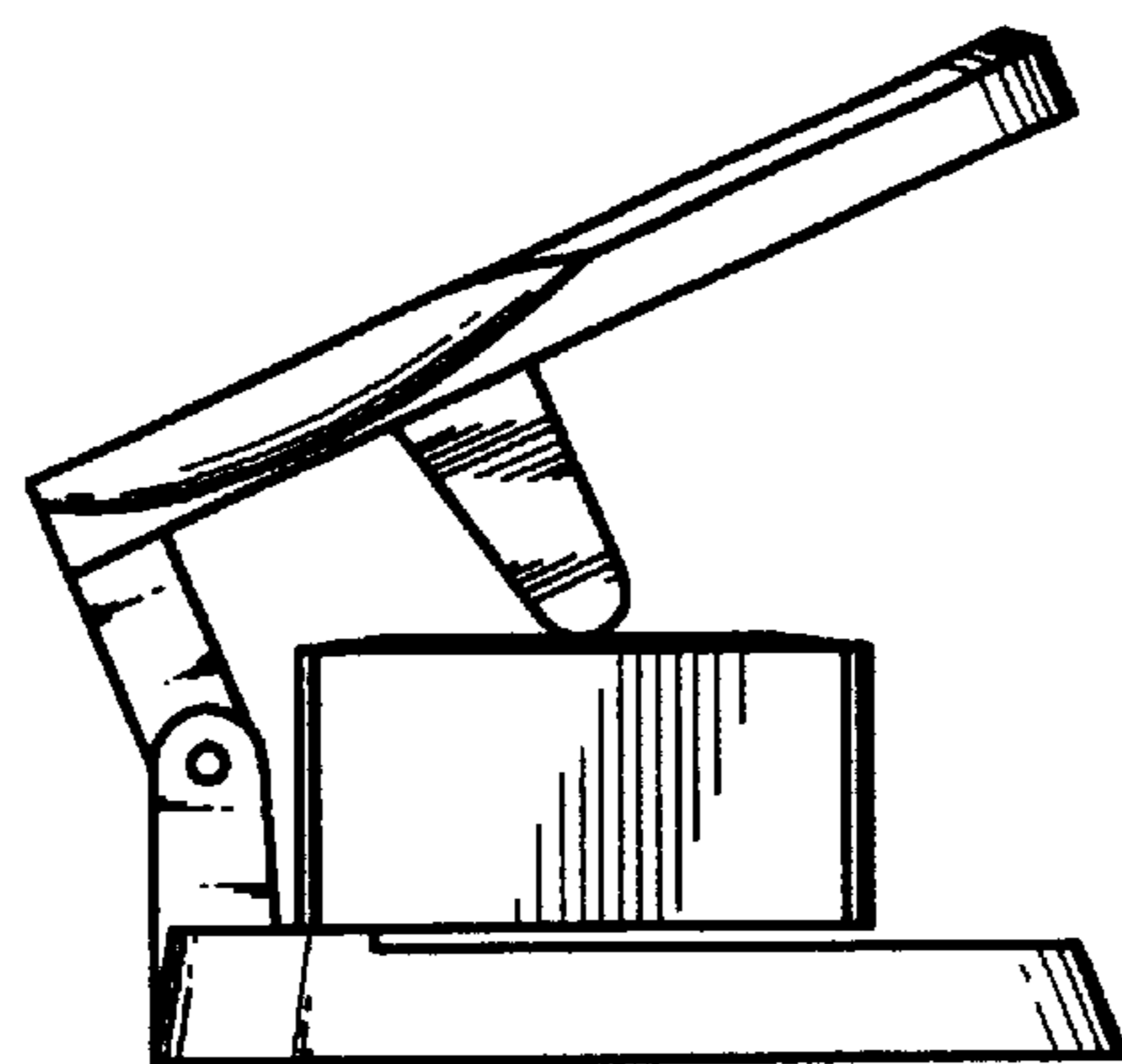


FIG. 5

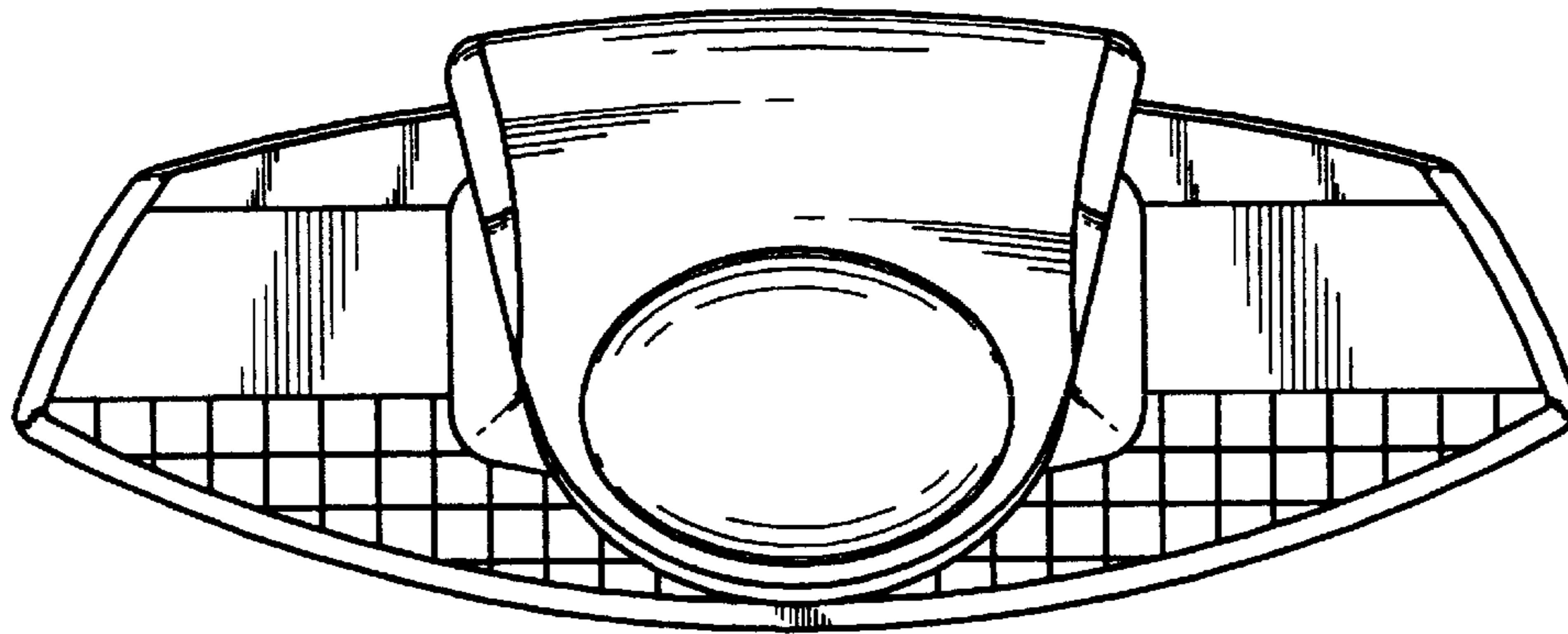


FIG. 6

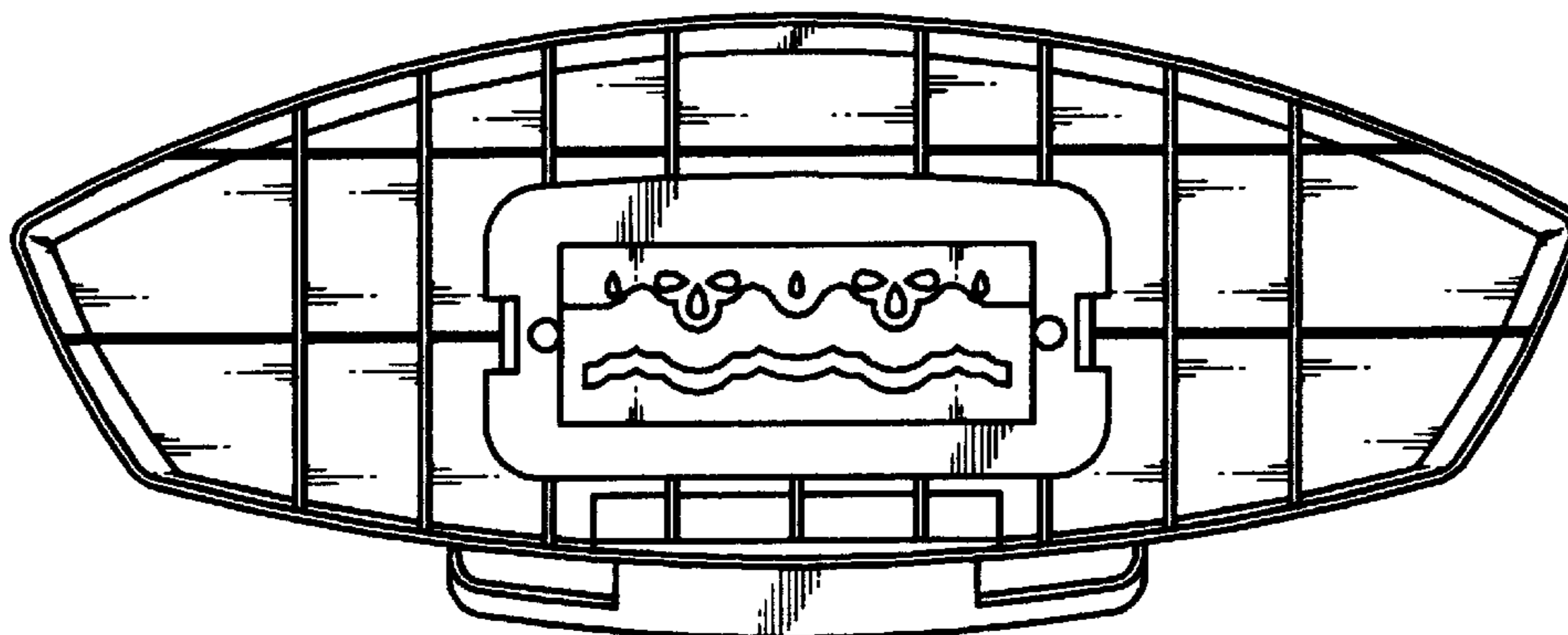


FIG. 7