



US00D531664S

(12) **United States Design Patent**  
**Hegge**

(10) **Patent No.: US D531,664 S**

(45) **Date of Patent: \*\* \*Nov. 7, 2006**

(54) **INK CARTRIDGE**

(75) Inventor: **Frans Hegge**, Hamont-Achel (BE)

(73) Assignee: **Agfa-Gevaert, N.V.**, Mortsels (BE)

(\*) Notice: This patent is subject to a terminal disclaimer.

(\*\*) Term: **14 Years**

(21) Appl. No.: **29/232,389**

(22) Filed: **Jun. 17, 2005**

(30) **Foreign Application Priority Data**

Dec. 20, 2004 (EM) ..... 269410-0003

(51) **LOC (8) Cl.** ..... **18-02**

(52) **U.S. Cl.** ..... **D18/56; 347/86**

(58) **Field of Classification Search** ..... D18/12,  
D18/43, 56; 347/86-87; 399/110

See application file for complete search history.

(56) **References Cited**

**U.S. PATENT DOCUMENTS**

D309,752 S \* 8/1990 Miyoshi ..... D18/43

D419,593 S \* 1/2000 Shimizu et al. .... D18/56

D438,897 S \* 3/2001 Hatasa et al. .... D18/56

D448,798 S \* 10/2001 Shimizu et al. .... D18/56

D460,480 S \* 7/2002 Yamada et al. .... D18/56

D462,089 S \* 8/2002 Trafton et al. .... D18/56

D489,756 S \* 5/2004 Matsumoto et al. .... D18/56

D512,093 S \* 11/2005 Namekawa ..... D18/56

\* cited by examiner

*Primary Examiner*—Cathy Anne MacCormac

(74) *Attorney, Agent, or Firm*—Kirschstein, et al.

(57) **CLAIM**

The ornamental design for an ink cartridge, as shown.

**DESCRIPTION**

FIG. 1 is a front perspective view of an ink cartridge according to my new design;

FIG. 2 is a rear perspective view thereof;

FIG. 3 is a top plan view thereof;

FIG. 4 is a front elevational view thereof;

FIG. 5 is a left side elevational view thereof;

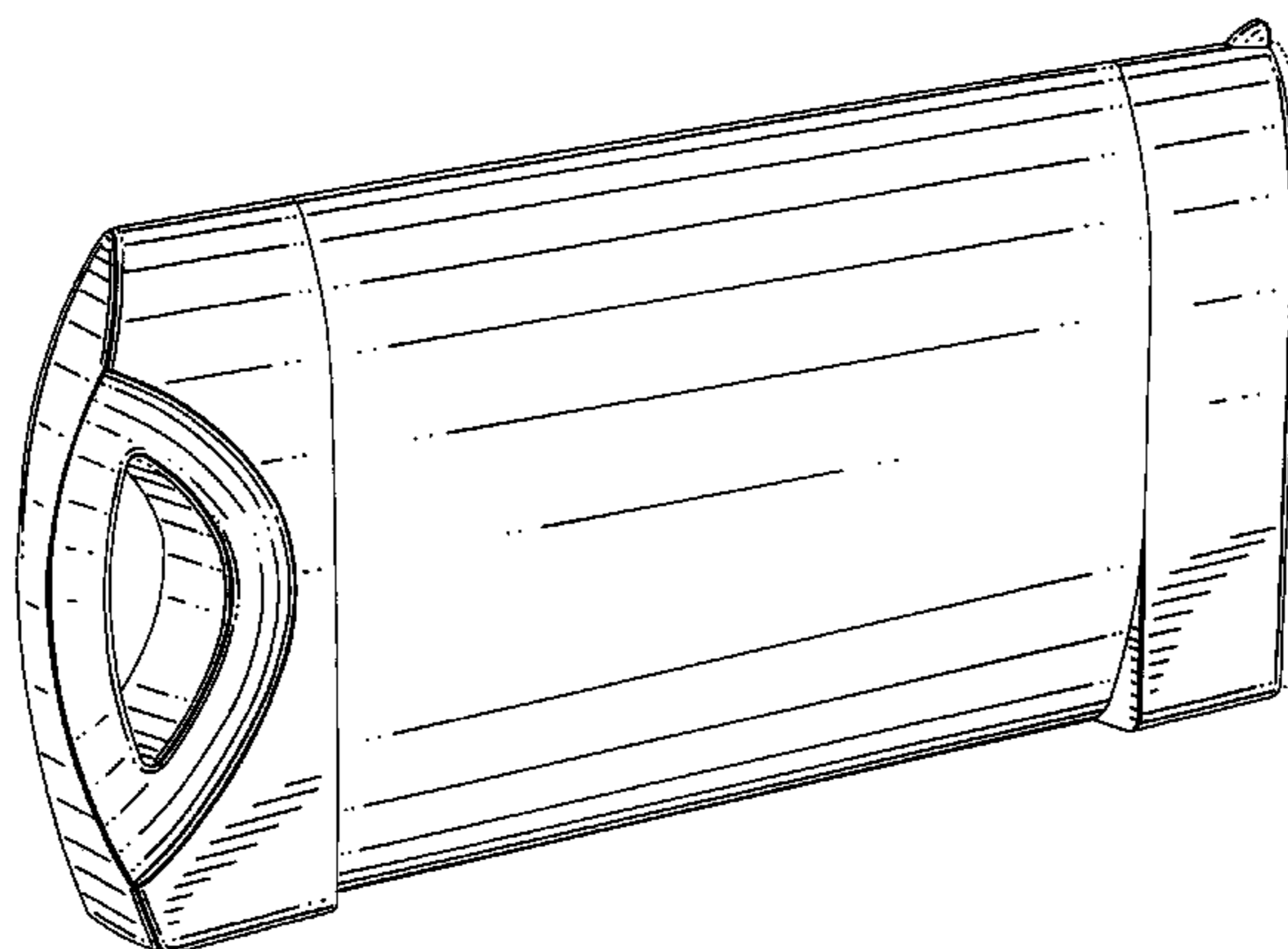
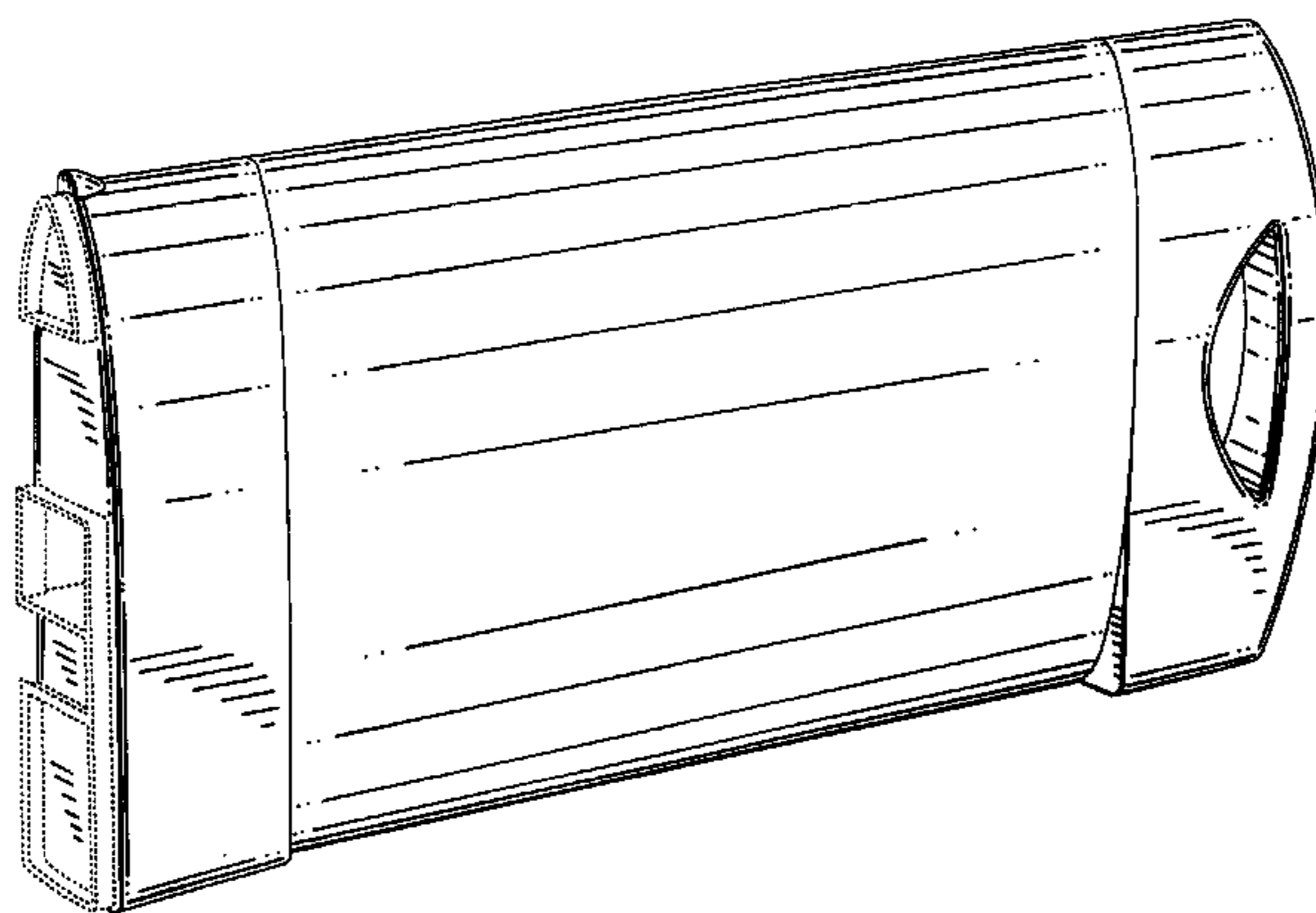
FIG. 6 is a right side elevational view thereof;

FIG. 7 is a rear elevational view thereof; and,

FIG. 8 is a bottom plan view thereof.

The dashed lines throughout the views are for environmental purposes and form no part of this invention.

**1 Claim, 4 Drawing Sheets**



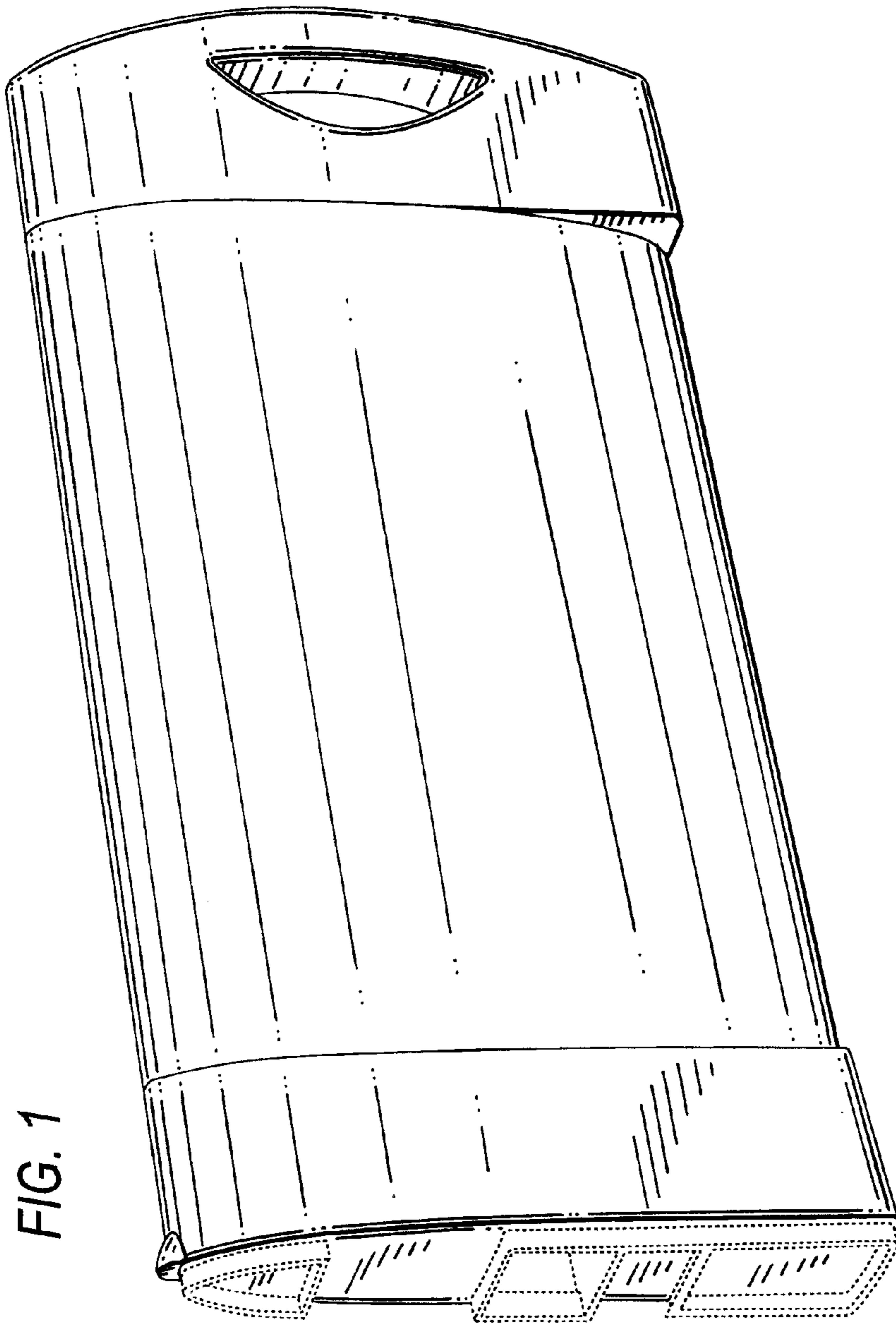


FIG. 1



FIG. 8

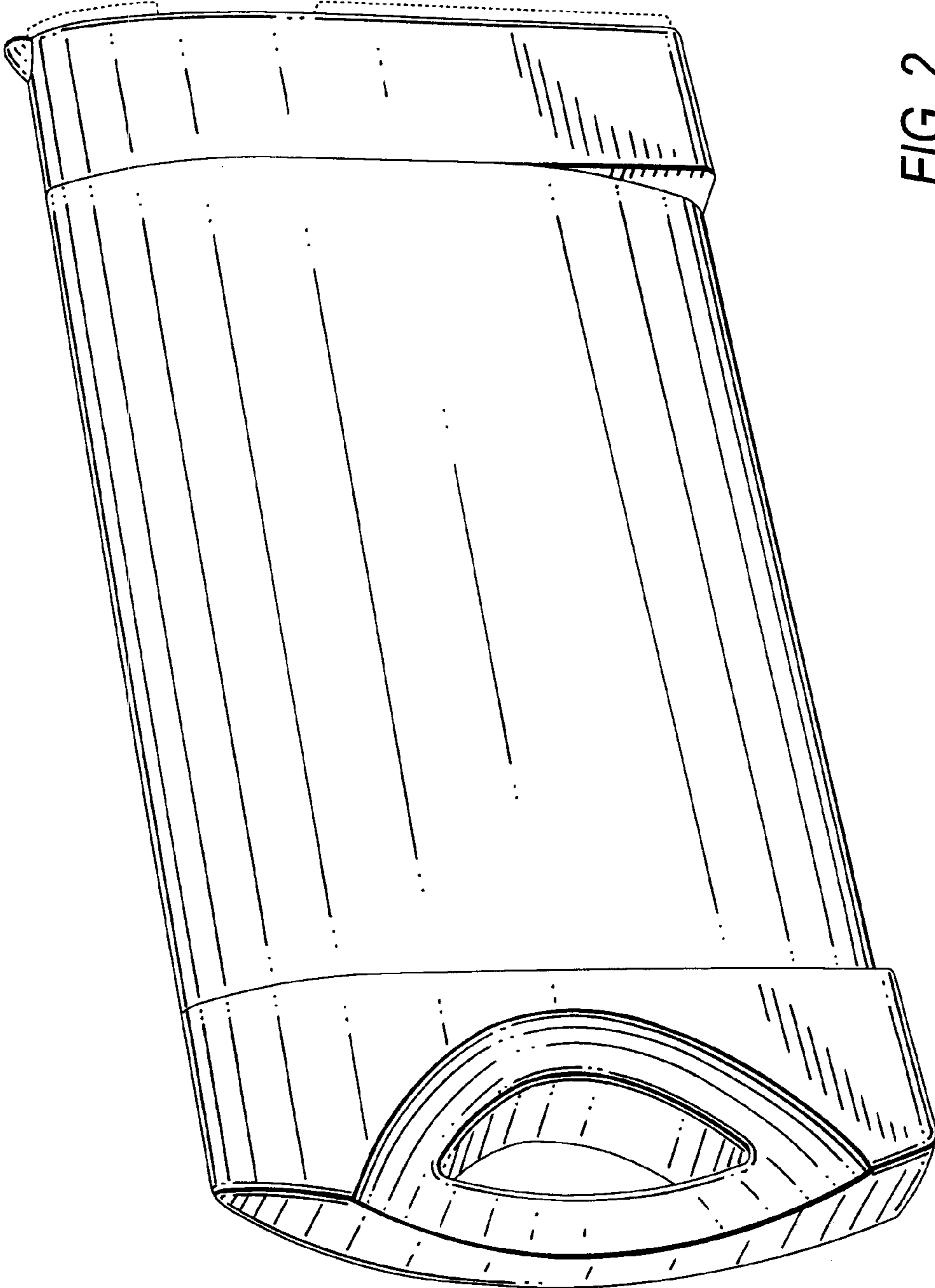
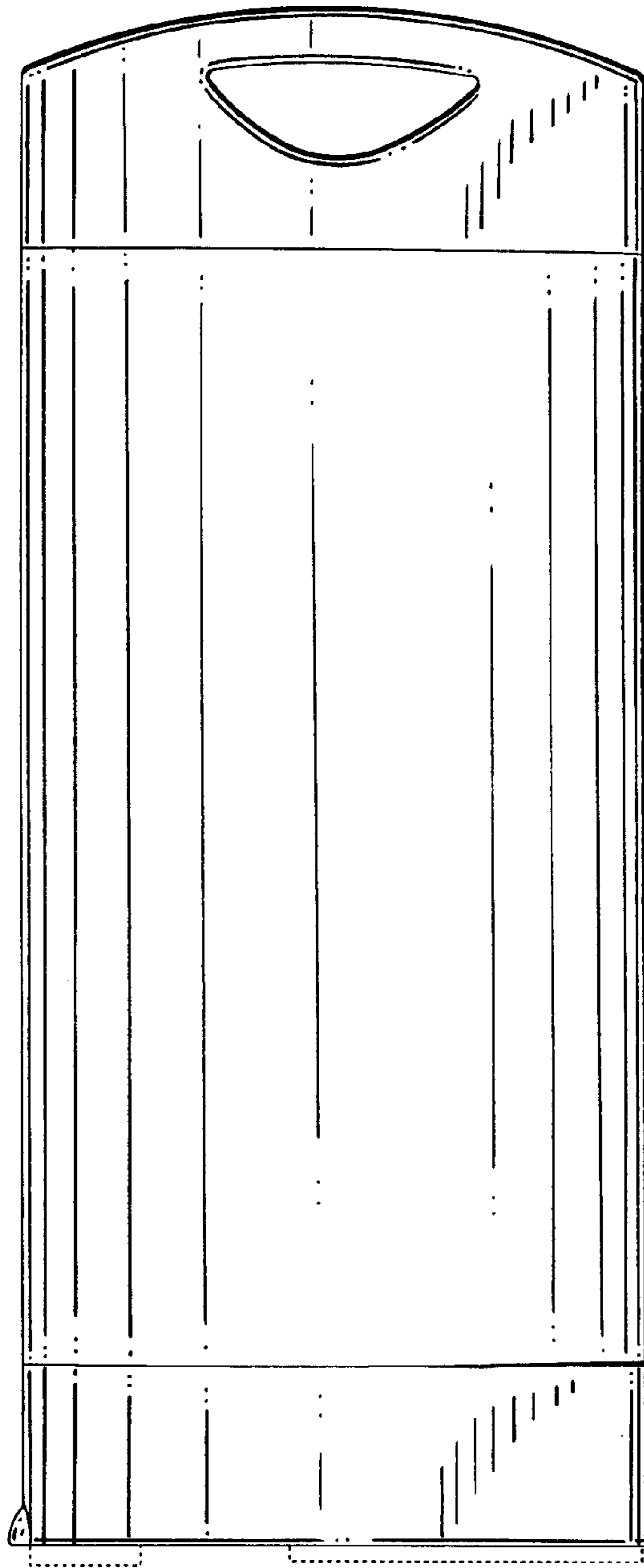


FIG. 2

FIG. 3



FIG. 4



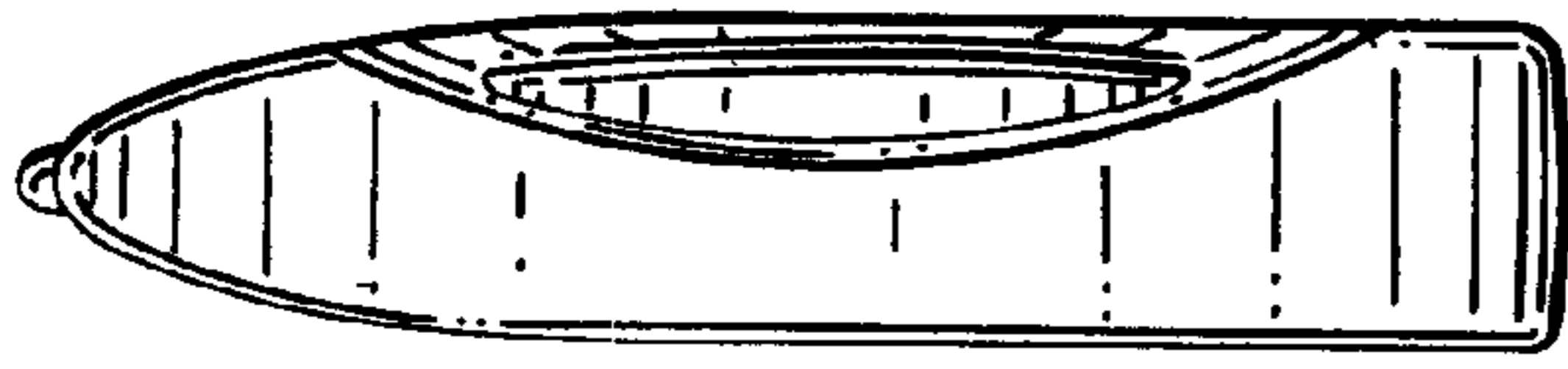


FIG. 6

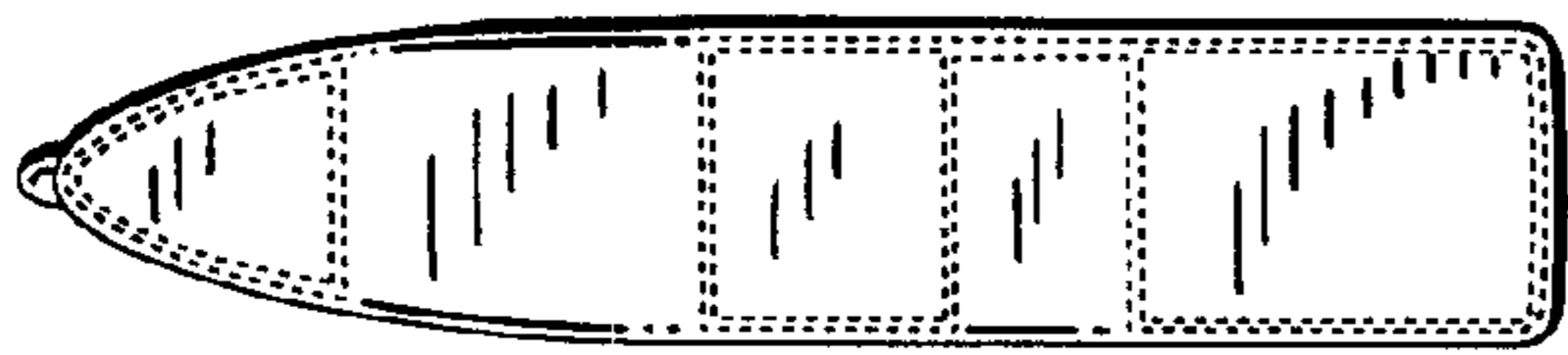


FIG. 5

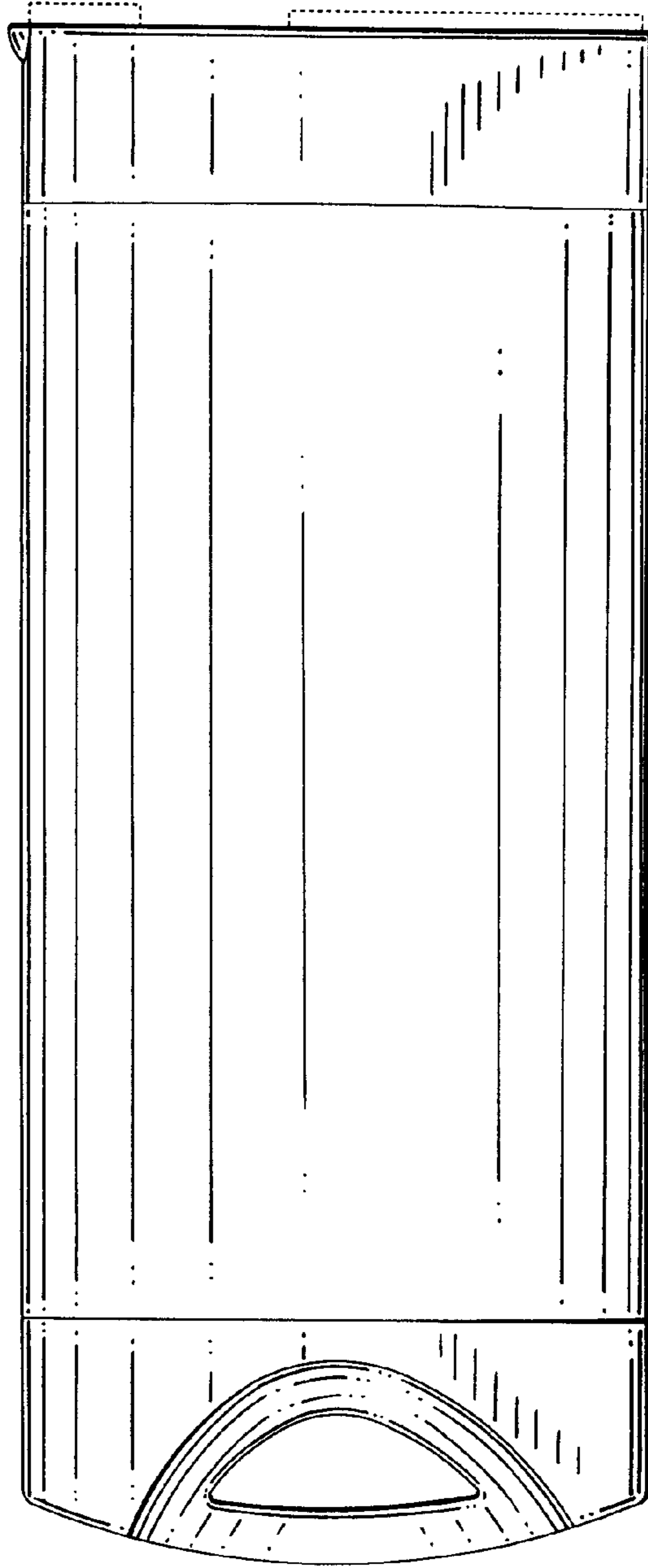


FIG. 7