



US00D531663S

(12) **United States Design Patent**
Senda et al.

(10) **Patent No.:** **US D531,663 S**

(45) **Date of Patent:** **** Nov. 7, 2006**

(54) **COMBINED PRINTER AND SCANNER**

(75) Inventors: **Haruki Senda**, Nagano-ken (JP);
Makoto Kobayashi, Nagano-ken (JP);
Kenichi Kimura, Nagano-ken (JP)

(73) Assignee: **Seiko Epson Corporation**, Tokyo (JP)

(**) Term: **14 Years**

(21) Appl. No.: **29/227,703**

(22) Filed: **Apr. 13, 2005**

(30) **Foreign Application Priority Data**

Oct. 15, 2004 (JP) 2004-031489
Oct. 15, 2004 (JP) 2004-031491
Oct. 15, 2004 (JP) 2004-031492

(51) **LOC (8) Cl.** **04-02**

(52) **U.S. Cl.** **D18/55**

(58) **Field of Classification Search** D18/36-39,
D18/53-54, 54.1, 55; D14/420-425, 462-470;
399/107; 400/613, 613.1-613.4, 691-694
See application file for complete search history.

(56) **References Cited**

U.S. PATENT DOCUMENTS

D351,189 S * 10/1994 Yamaguchi et al. D18/55
D378,300 S * 3/1997 Ito D18/55
D379,196 S * 5/1997 Laidlaw D18/55
D412,341 S * 7/1999 Miyazawa D18/55

D437,349 S * 2/2001 Saito et al. D18/55
D477,632 S * 7/2003 Todd D18/55
D521,060 S * 5/2006 Katayama D18/55
D521,546 S * 5/2006 Katayama D18/55
D522,046 S * 5/2006 Iritani et al. D18/55

* cited by examiner

Primary Examiner—Cathy Anne MacCormac

(74) *Attorney, Agent, or Firm*—Stroock & Stroock & Lavan
LLP

(57) **CLAIM**

The ornamental design for a combined printer and scanner,
as shown and described.

DESCRIPTION

FIG. 1 is a perspective view of a combined printer and scanner showing our new design;
FIG. 2 is another perspective view thereof;
FIG. 3 is a front view thereof;
FIG. 4 is a rear view thereof;
FIG. 5 is a top plan view thereof;
FIG. 6 is a bottom plan view thereof;
FIG. 7 is a right side elevational view thereof;
FIG. 8 is a left side elevational view thereof; and,
FIG. 9 is a cross-sectional view taken along line 9—9 of
FIG. 3.

The broken lines are shown for illustrative purposes only
and form no part of the claimed designs.

1 Claim, 9 Drawing Sheets

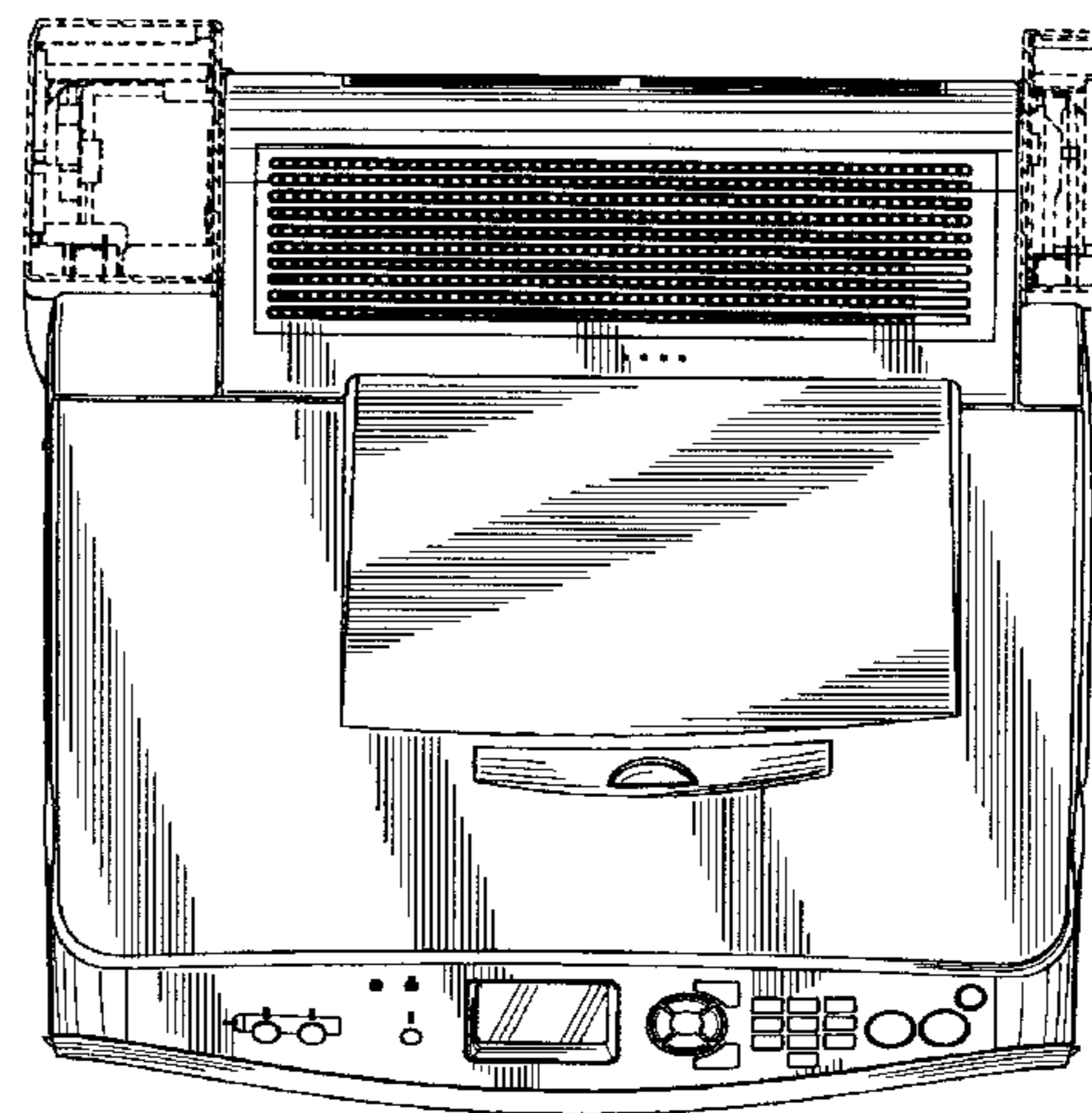
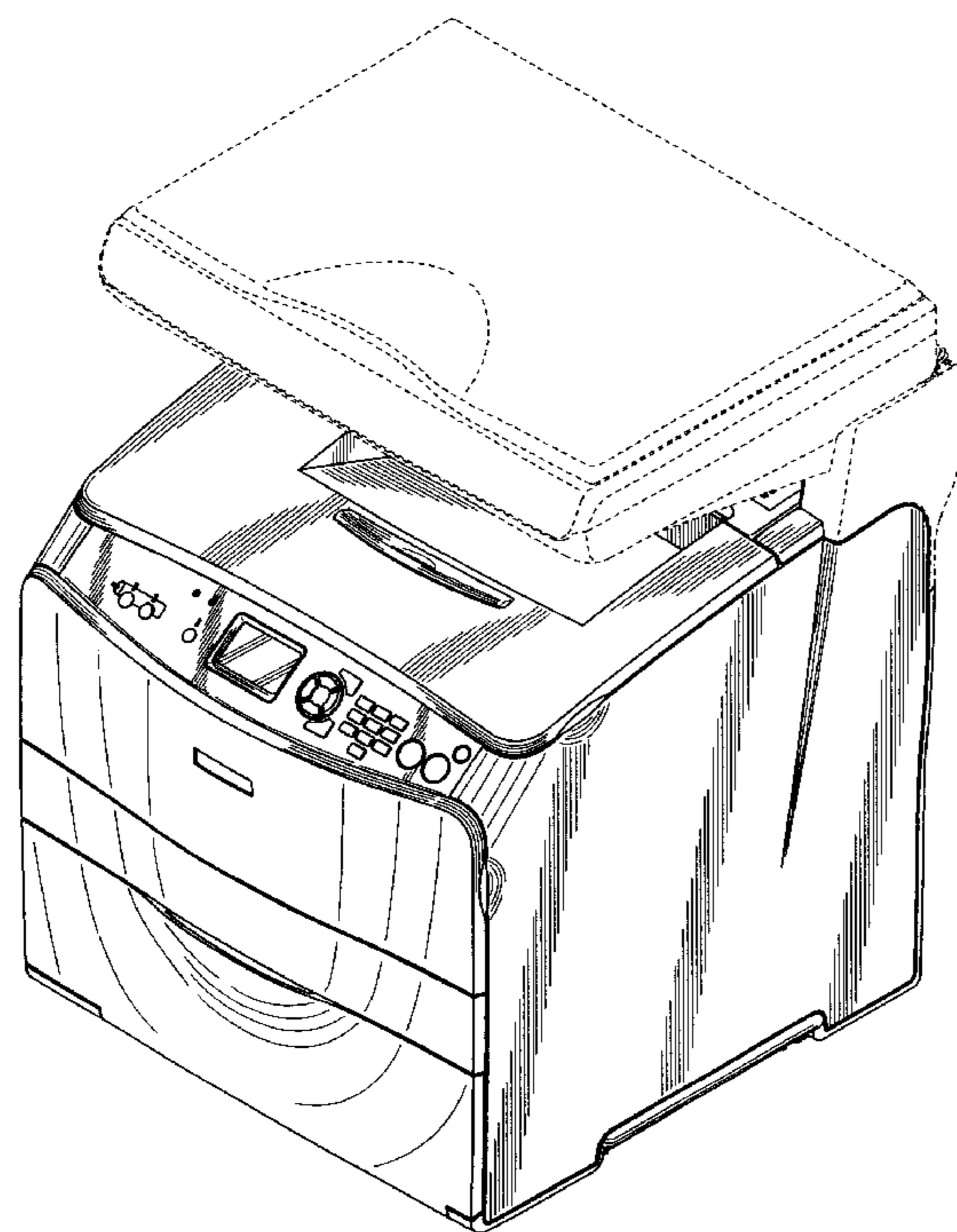


FIG. 1

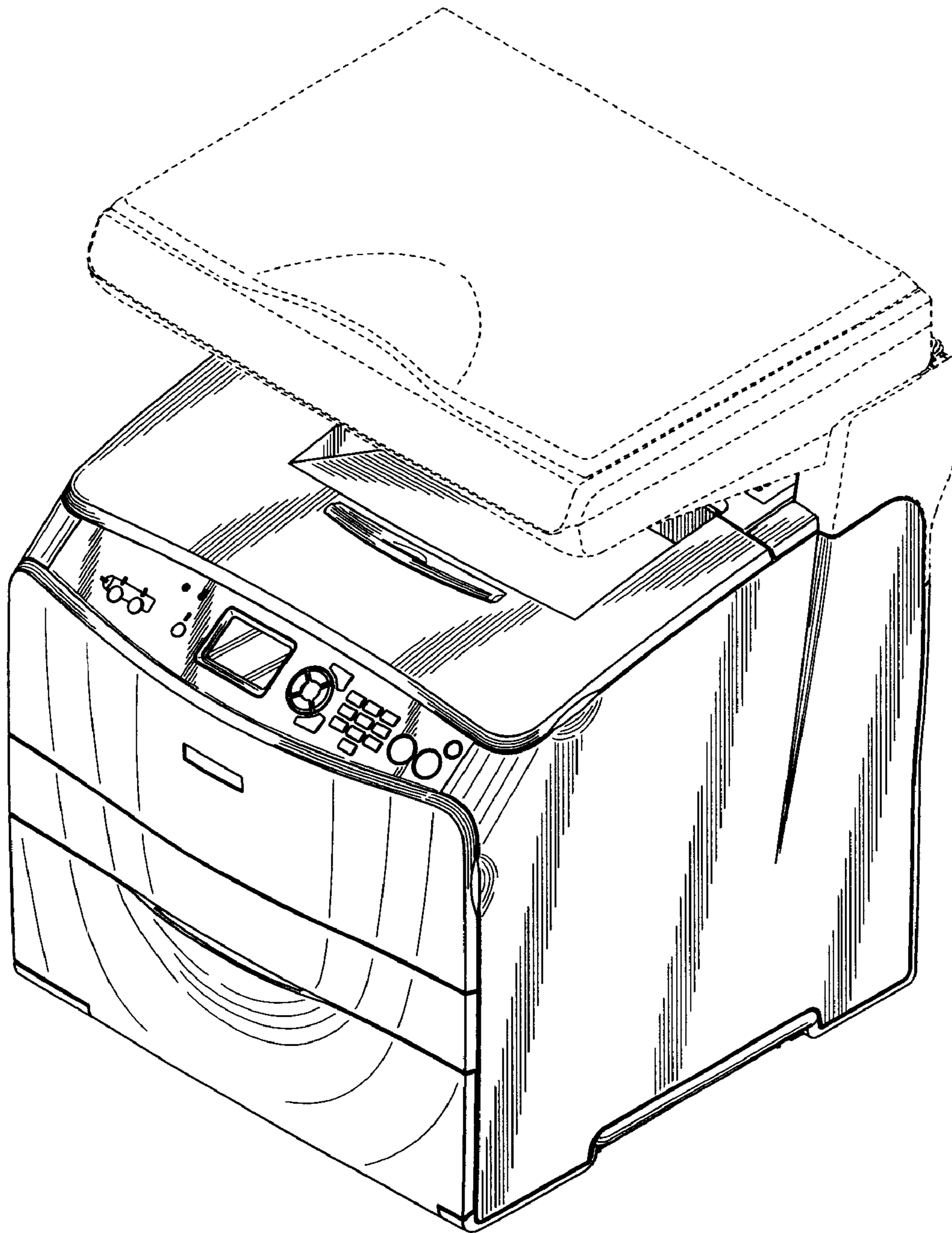


FIG. 2

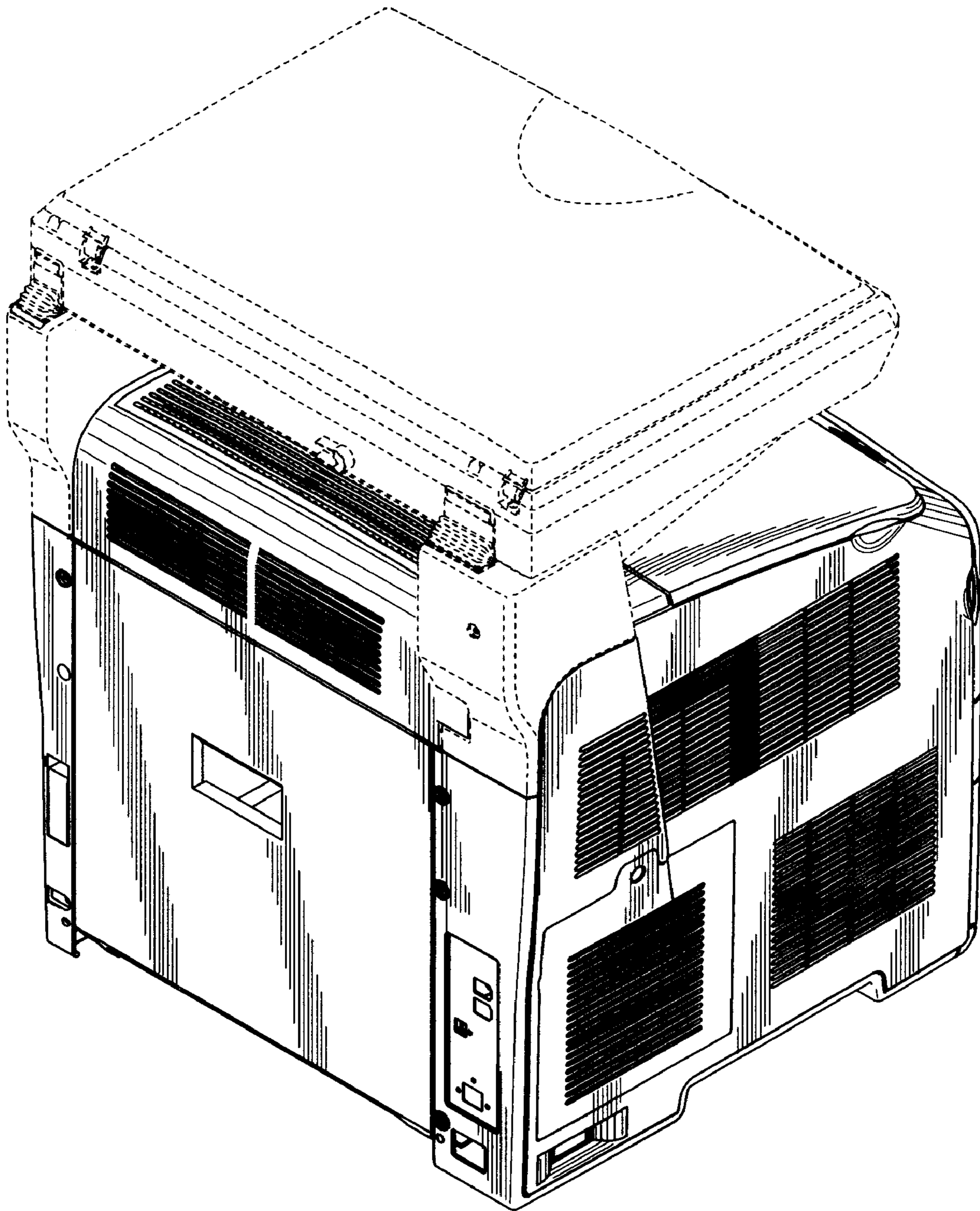


FIG. 3

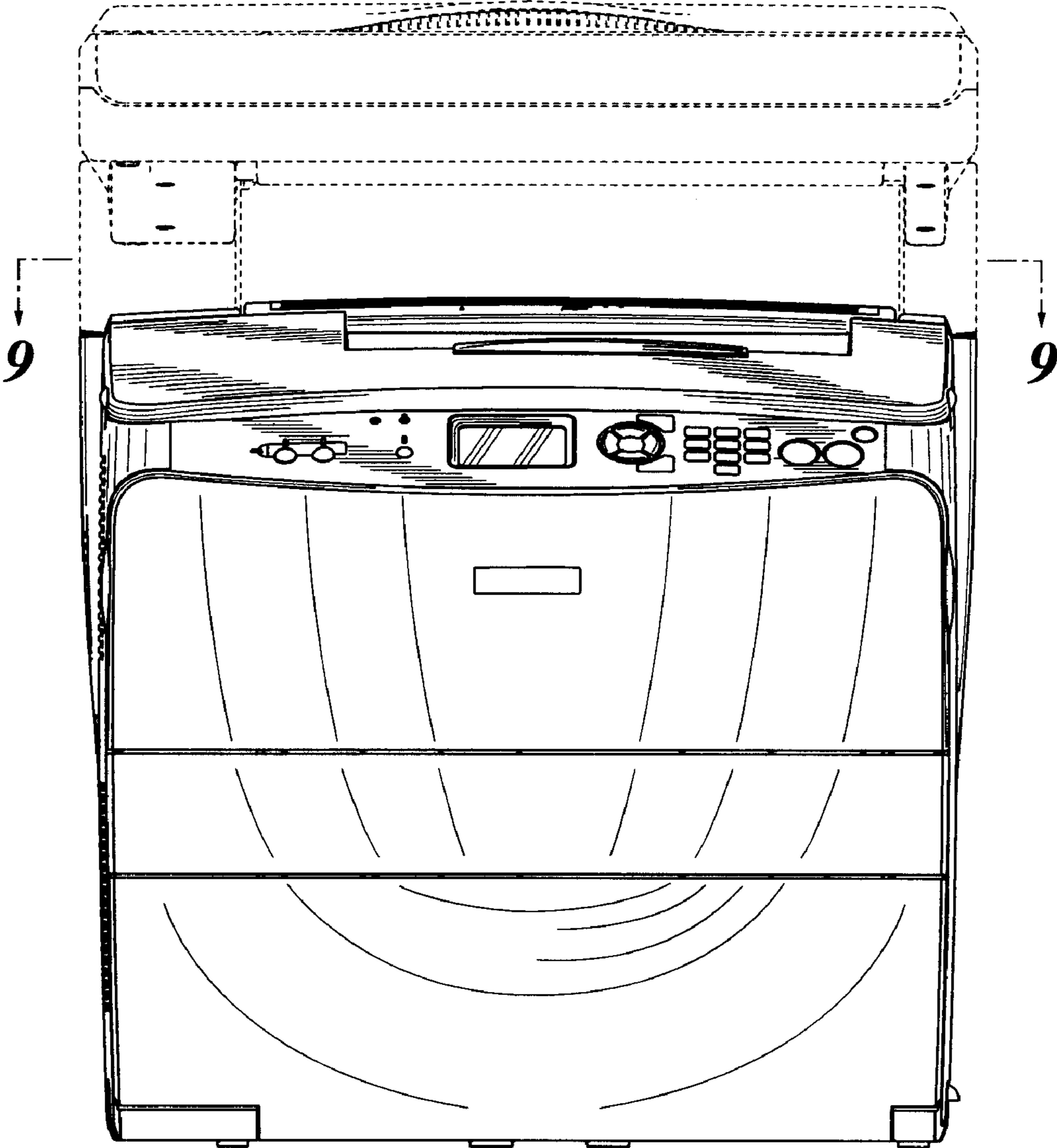


FIG. 4

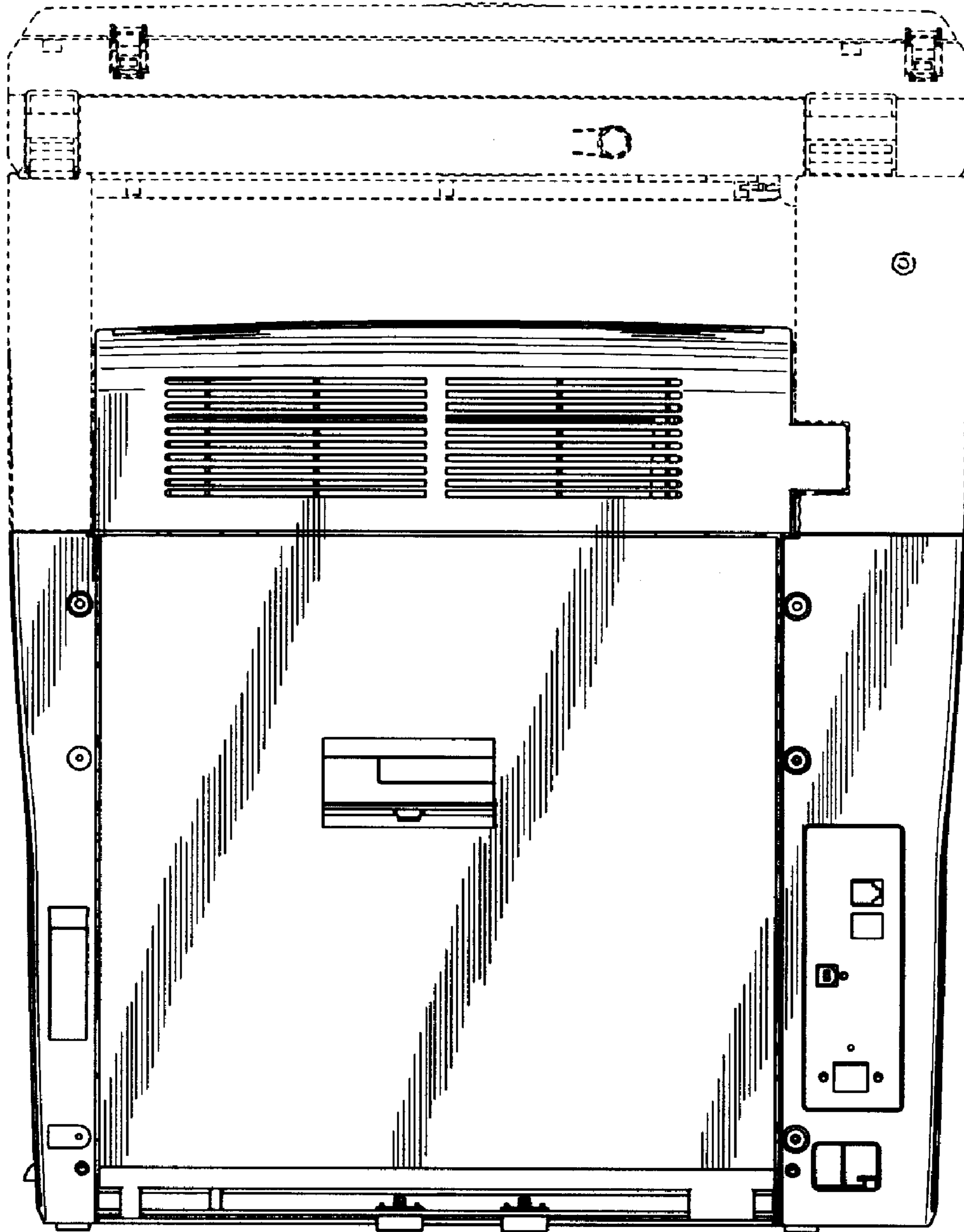


FIG. 5

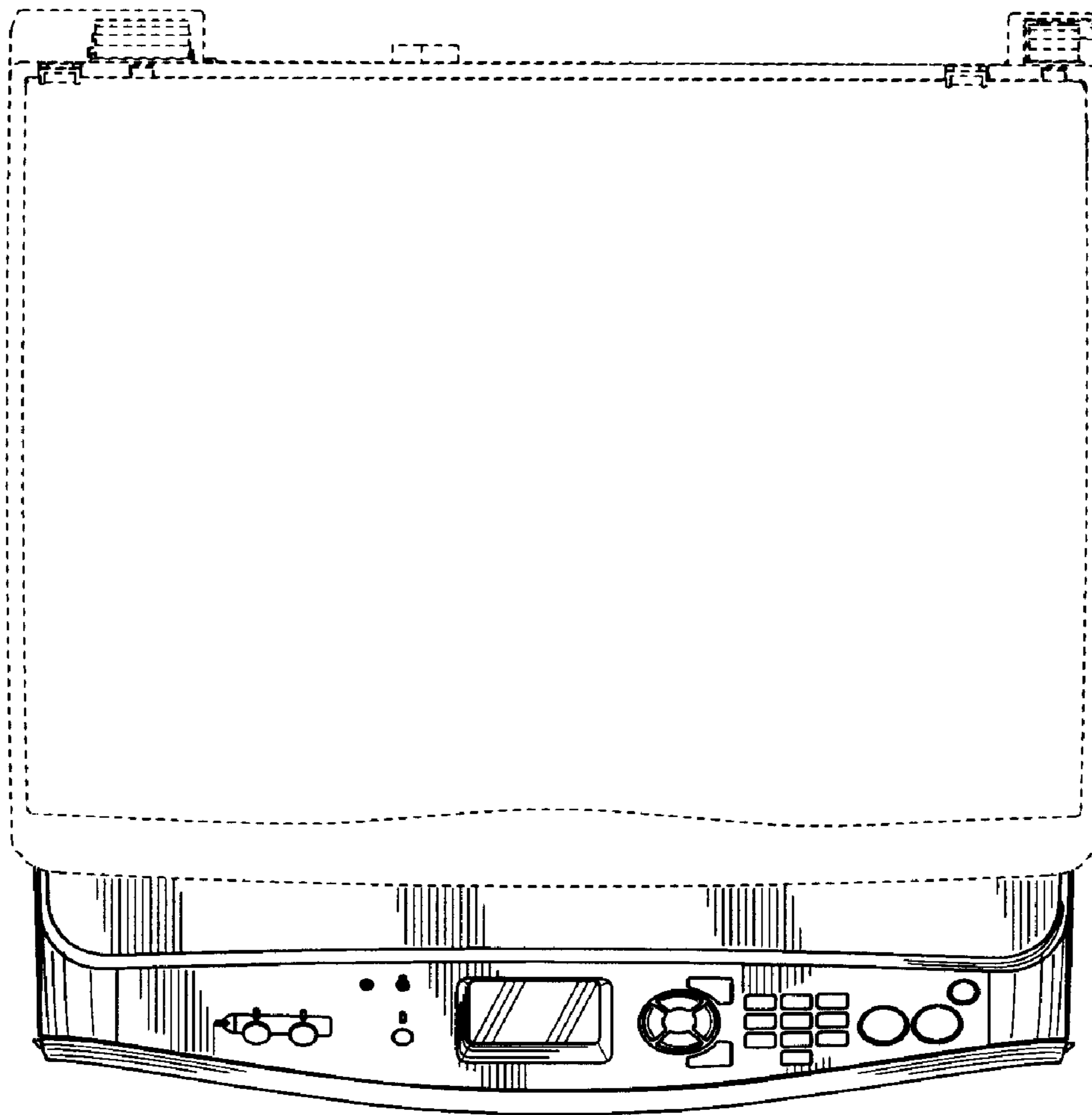


FIG. 6

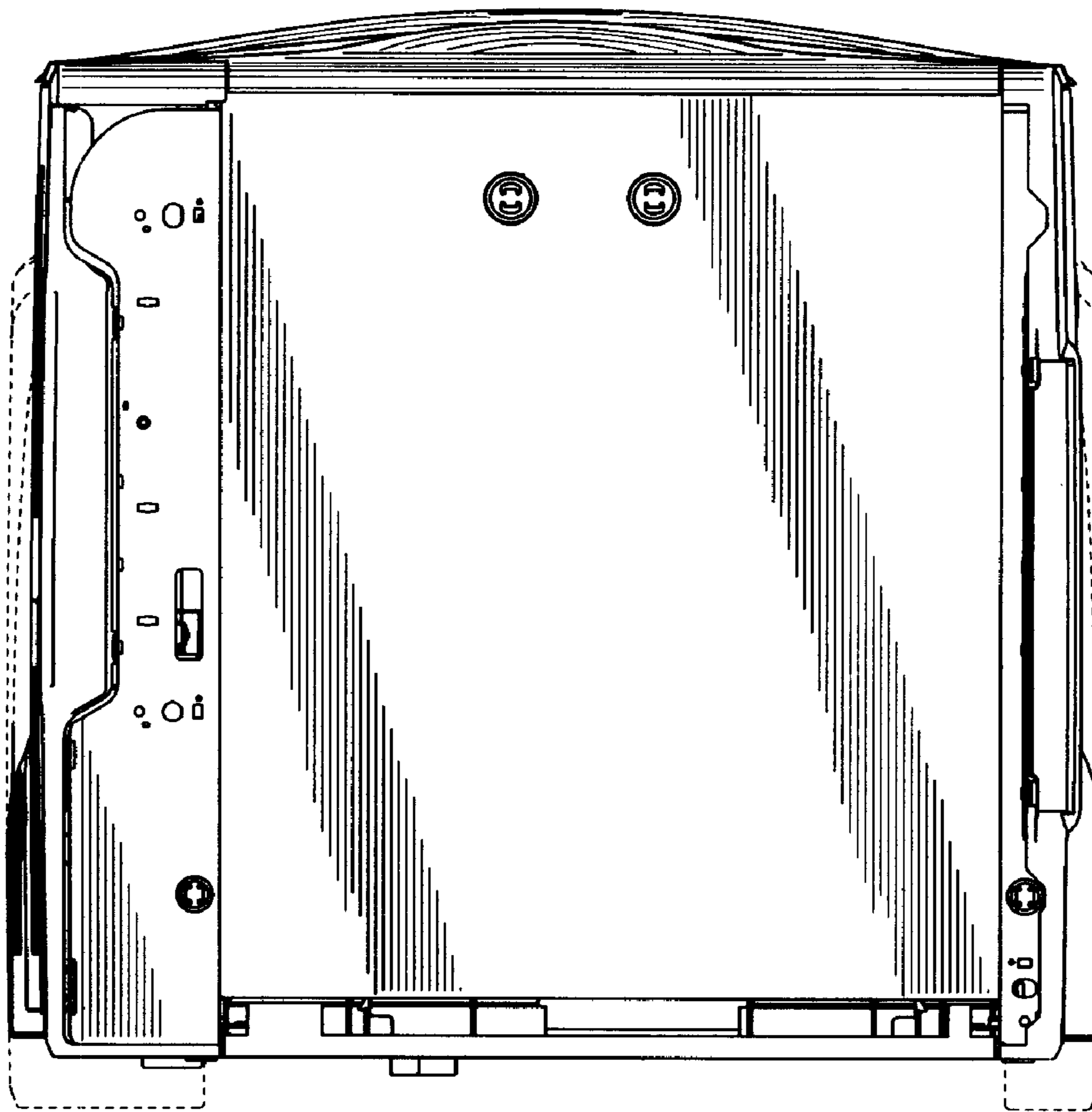


FIG. 7

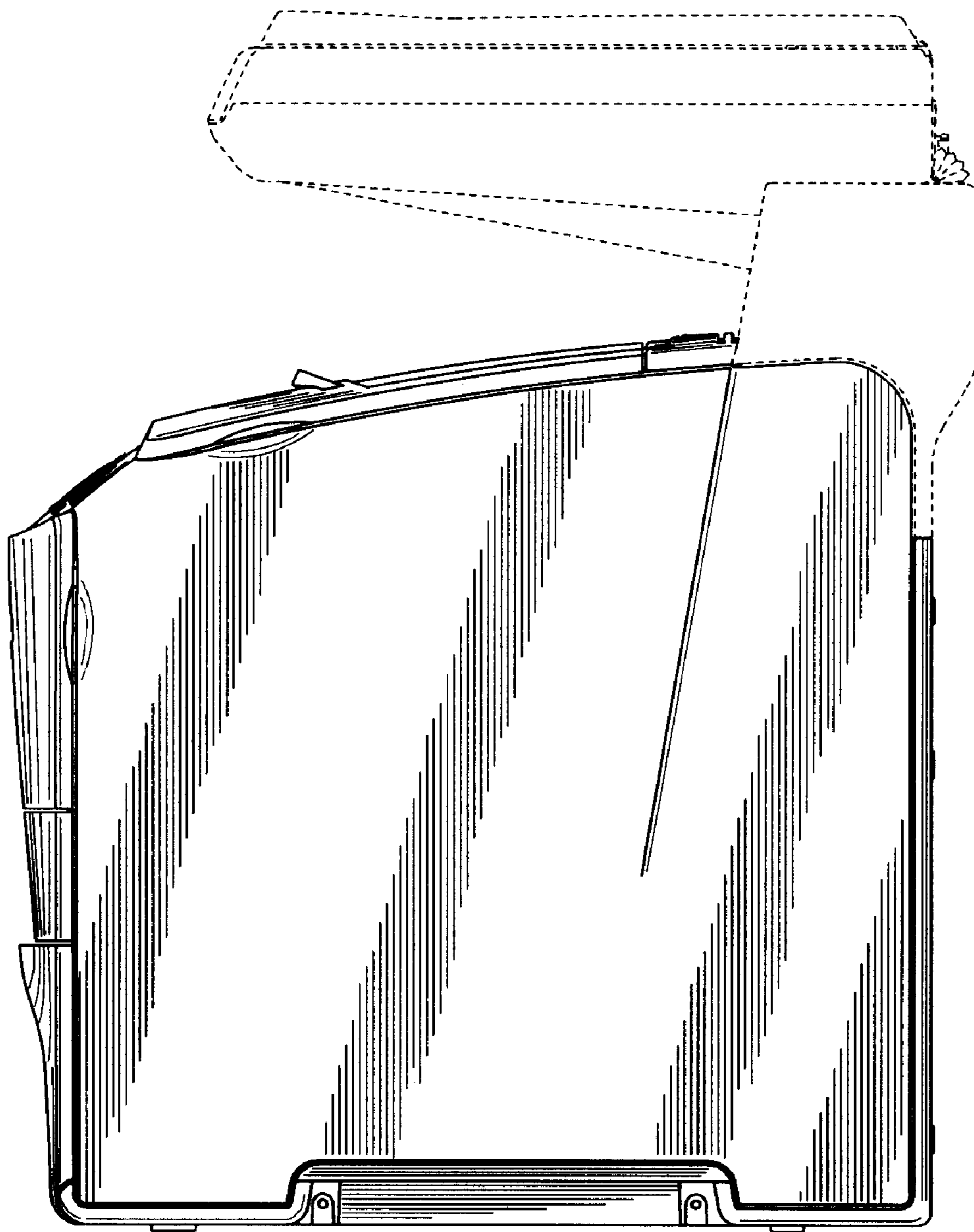


FIG. 8

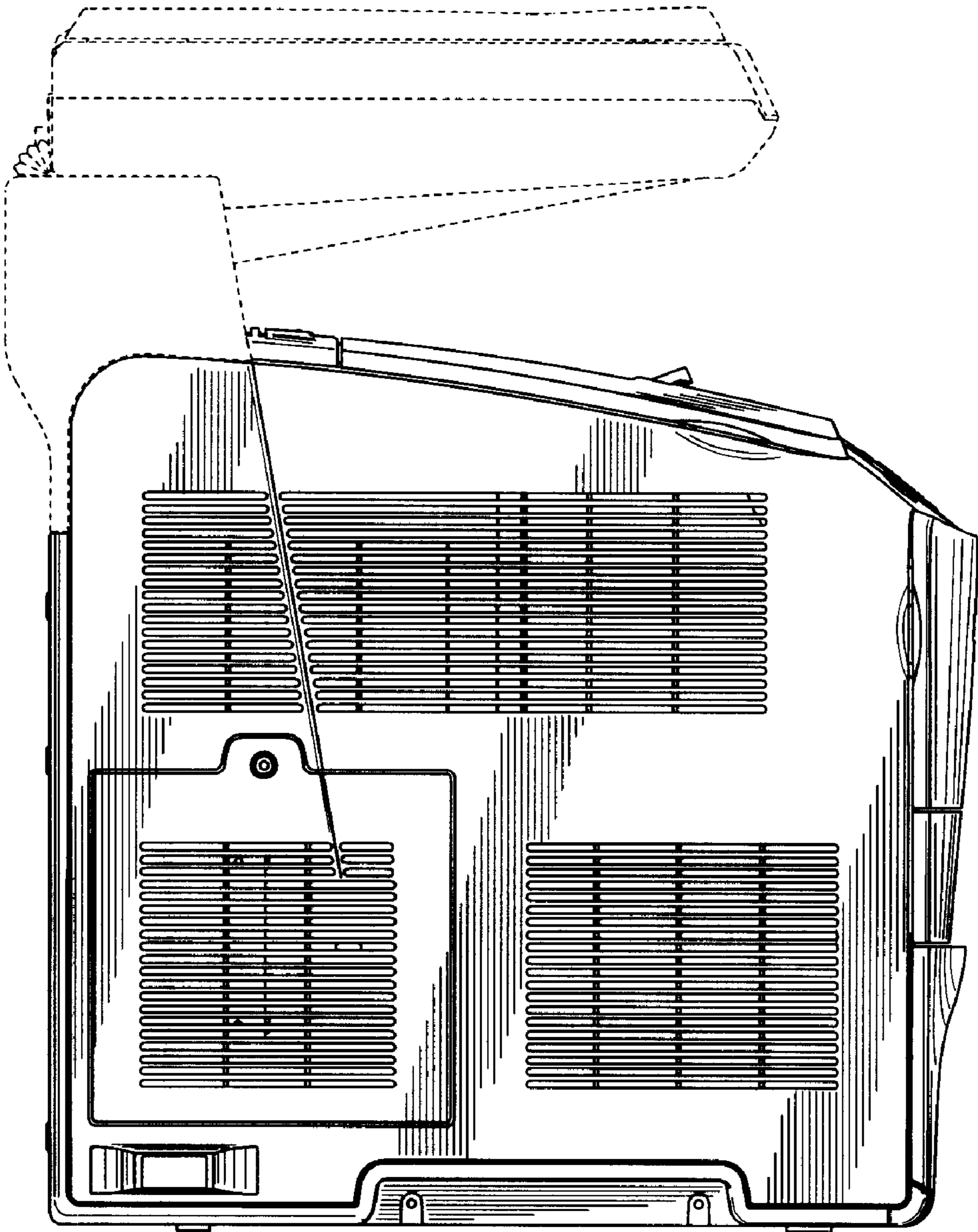


FIG. 9

