



US00D531653S

(12) **United States Design Patent**
Lee

(10) **Patent No.:** **US D531,653 S**

(45) **Date of Patent:** **** Nov. 7, 2006**

(54) **DIGITAL CAMERA**

D521,038 S * 5/2006 Takagi D16/200

(75) Inventor: **Eun Kyung Lee**, Seongnam-si (KR)

* cited by examiner

(73) Assignee: **Samsung Techwin Co., Ltd.**,
Changwon (KR)

Primary Examiner—Adir Aronovich

(74) *Attorney, Agent, or Firm*—Gardner Carton & Douglas
LLP

(**) Term: **14 Years**

(57) **CLAIM**

(21) Appl. No.: **29/227,881**

I claim the ornamental design for a digital camera, as shown
and described.

(22) Filed: **Apr. 15, 2005**

DESCRIPTION

(51) **LOC (8) Cl.** **16-01**

(52) **U.S. Cl.** **D16/219; D16/202**

(58) **Field of Classification Search** D16/202–204,
D16/208, 218, 219; 348/373–376; 358/909.1;
396/6, 535, 536–541

See application file for complete search history.

FIG. 1 is a perspective view of the design for a digital
camera;

FIG. 2 is a front view of the design of FIG. 1;

FIG. 3 is a rear view of the design of FIG. 1;

FIG. 4 is a left side view of the design of FIG. 1;

FIG. 5 is a right side view of the design of FIG. 1;

FIG. 6 is a top view of the design of FIG. 1; and,

FIG. 7 is a bottom view of the design of FIG. 1.

The portions of the camera in broken lines are shown for
illustrative purposes only and form no part of the claimed
design.

(56) **References Cited**

U.S. PATENT DOCUMENTS

6,542,700 B1 * 4/2003 Ito 396/535
D508,512 S * 8/2005 Suzuki D16/202
D516,107 S * 2/2006 Kim D16/202
D516,596 S * 3/2006 Watarai D16/202

1 Claim, 4 Drawing Sheets

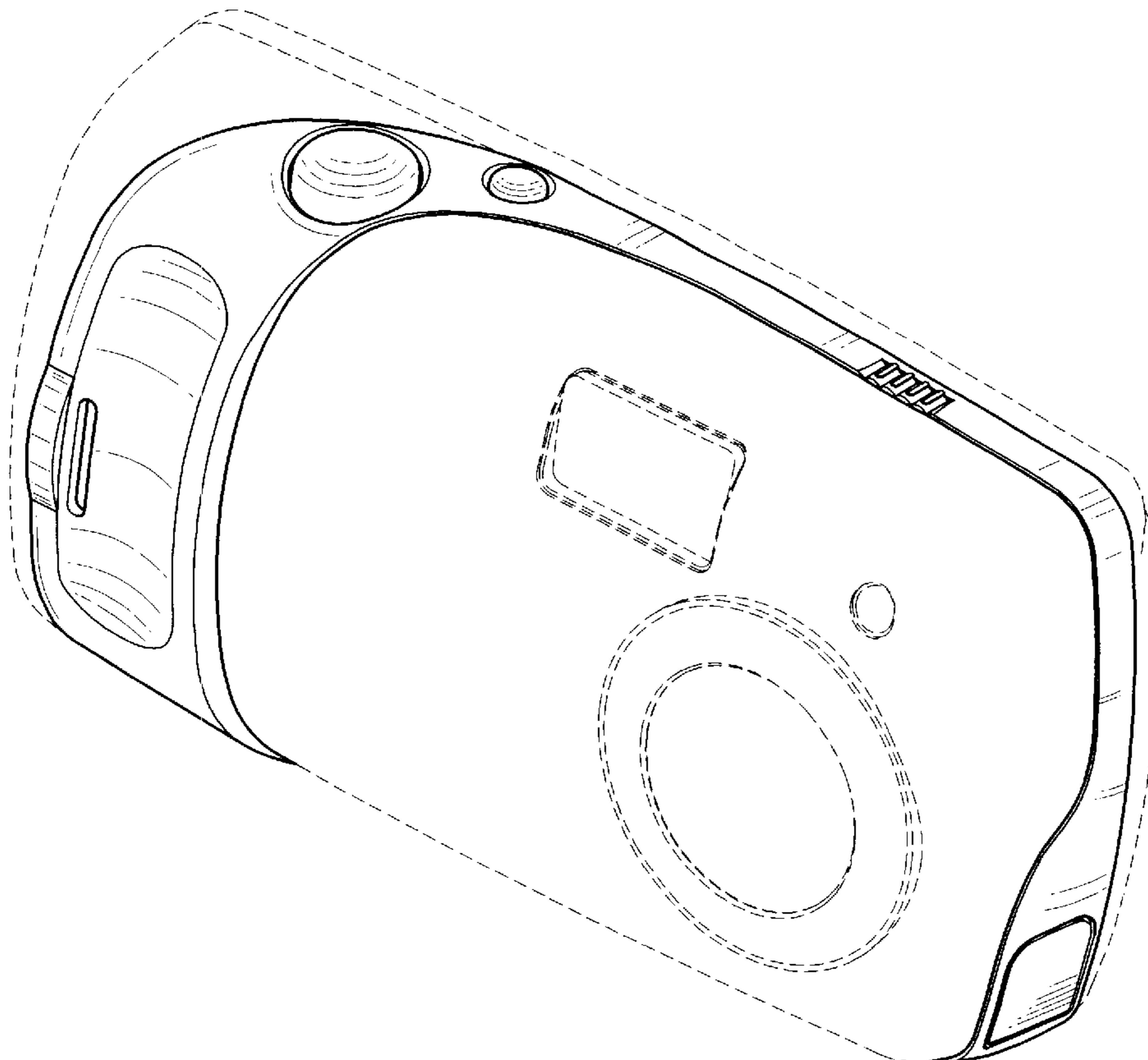


FIG. 1

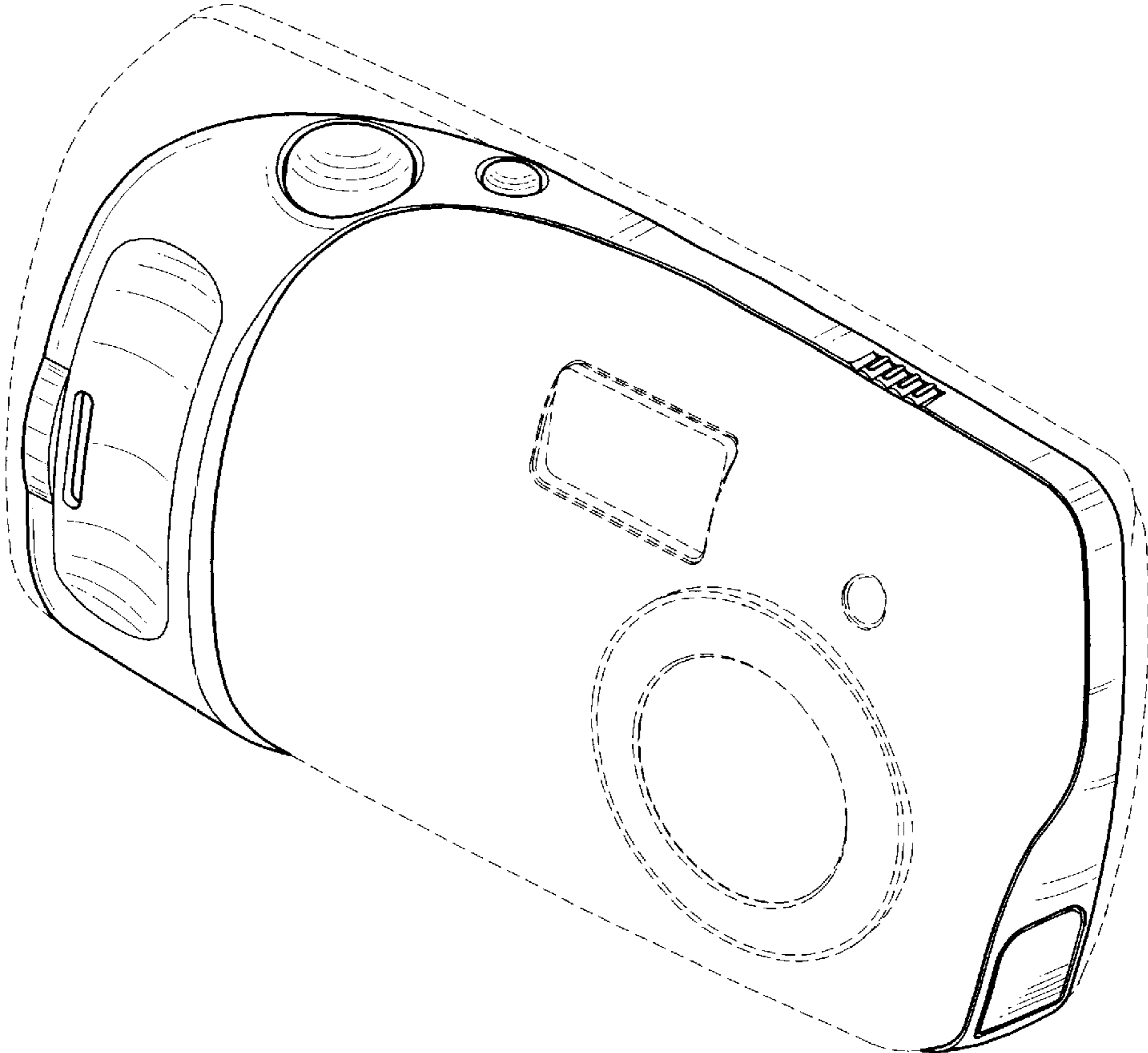


FIG. 2

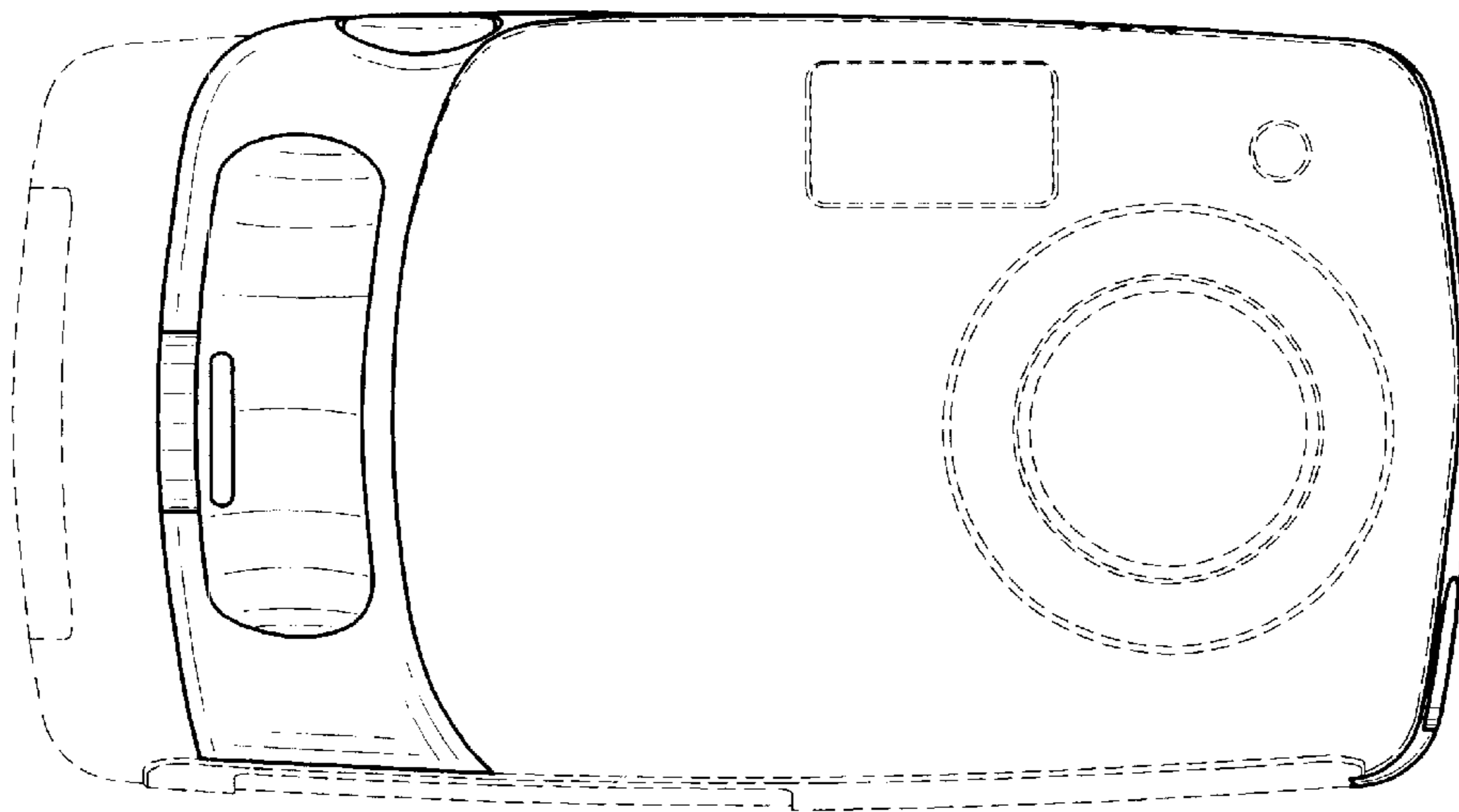


FIG. 3

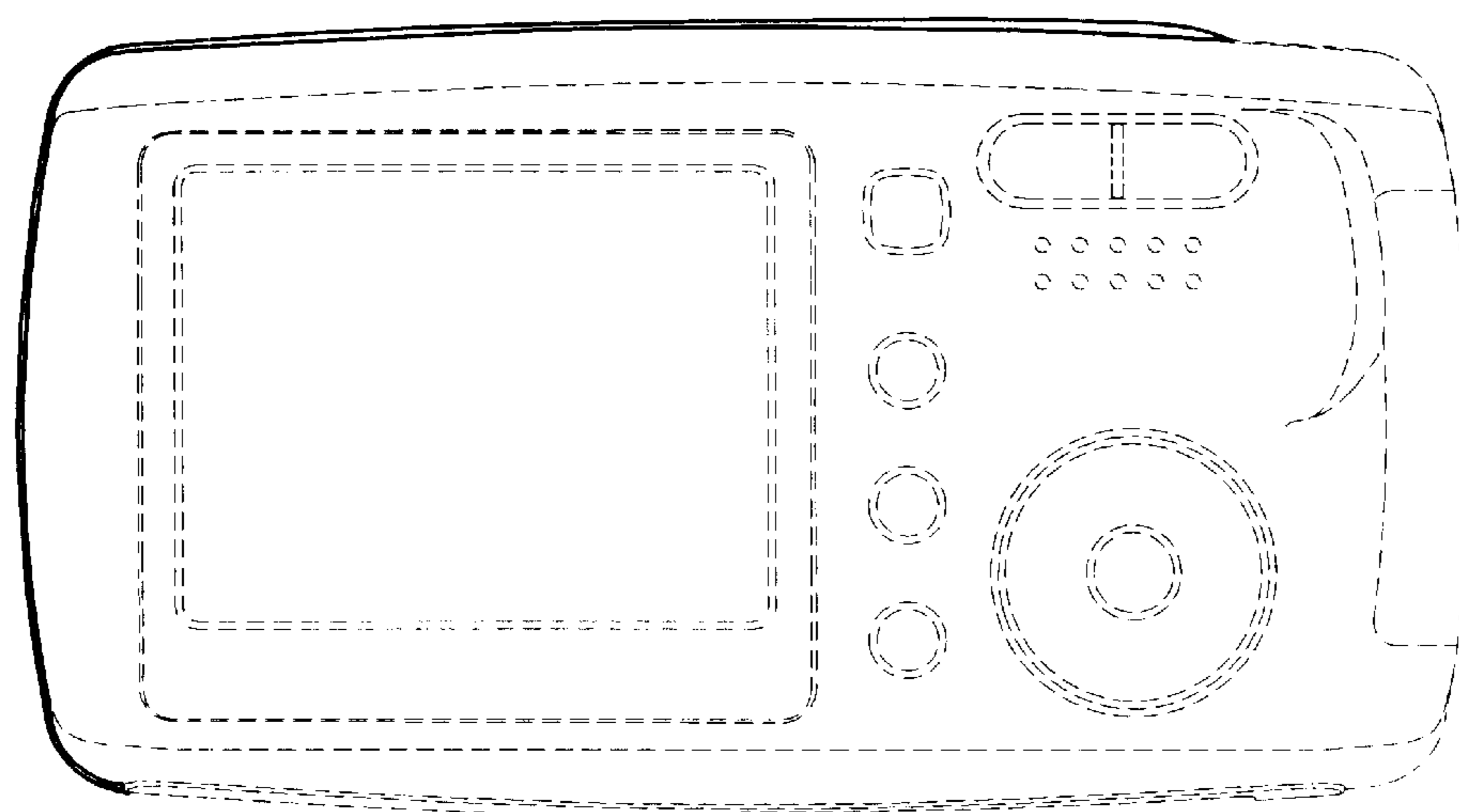


FIG. 4

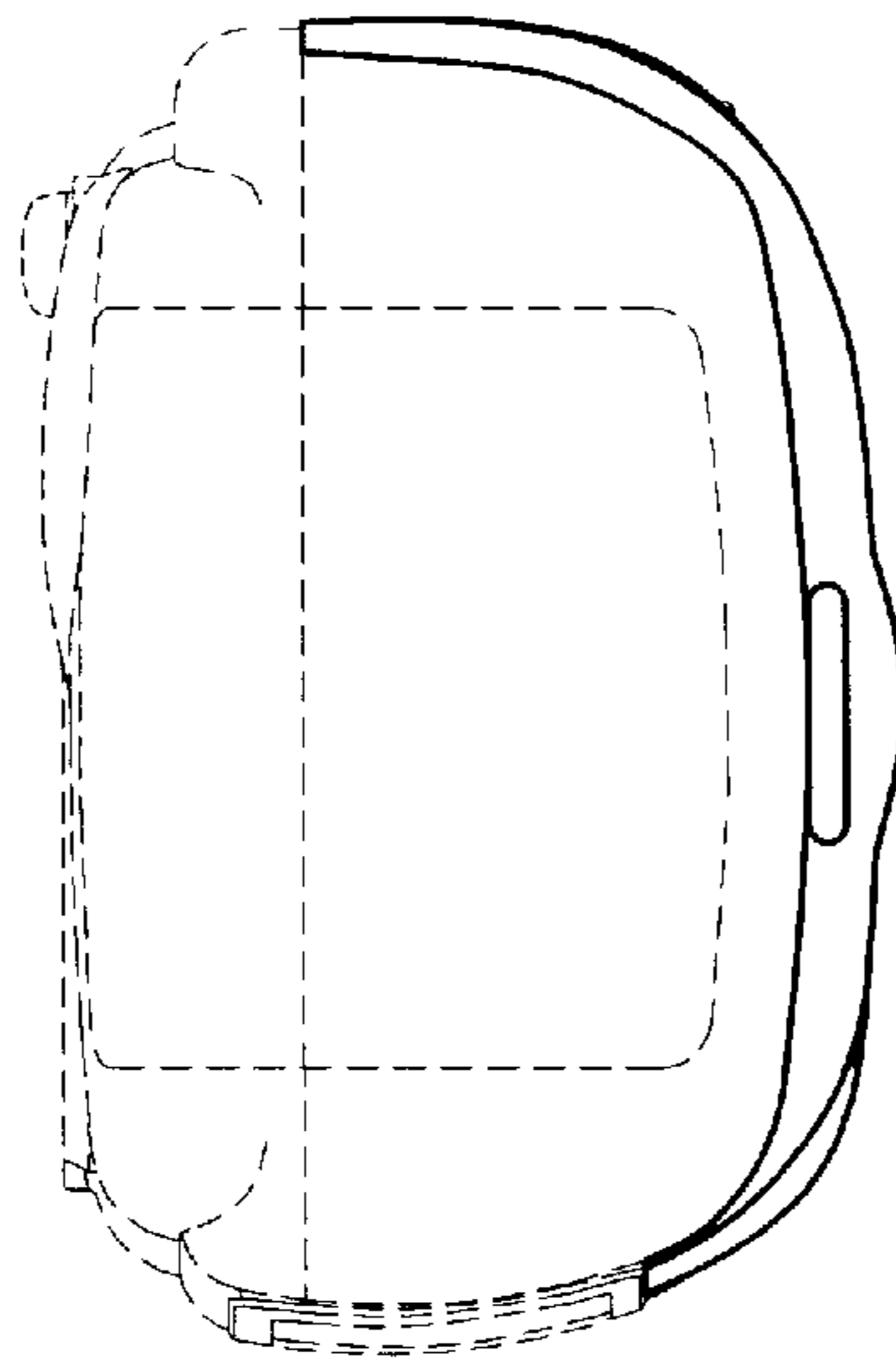


FIG. 5

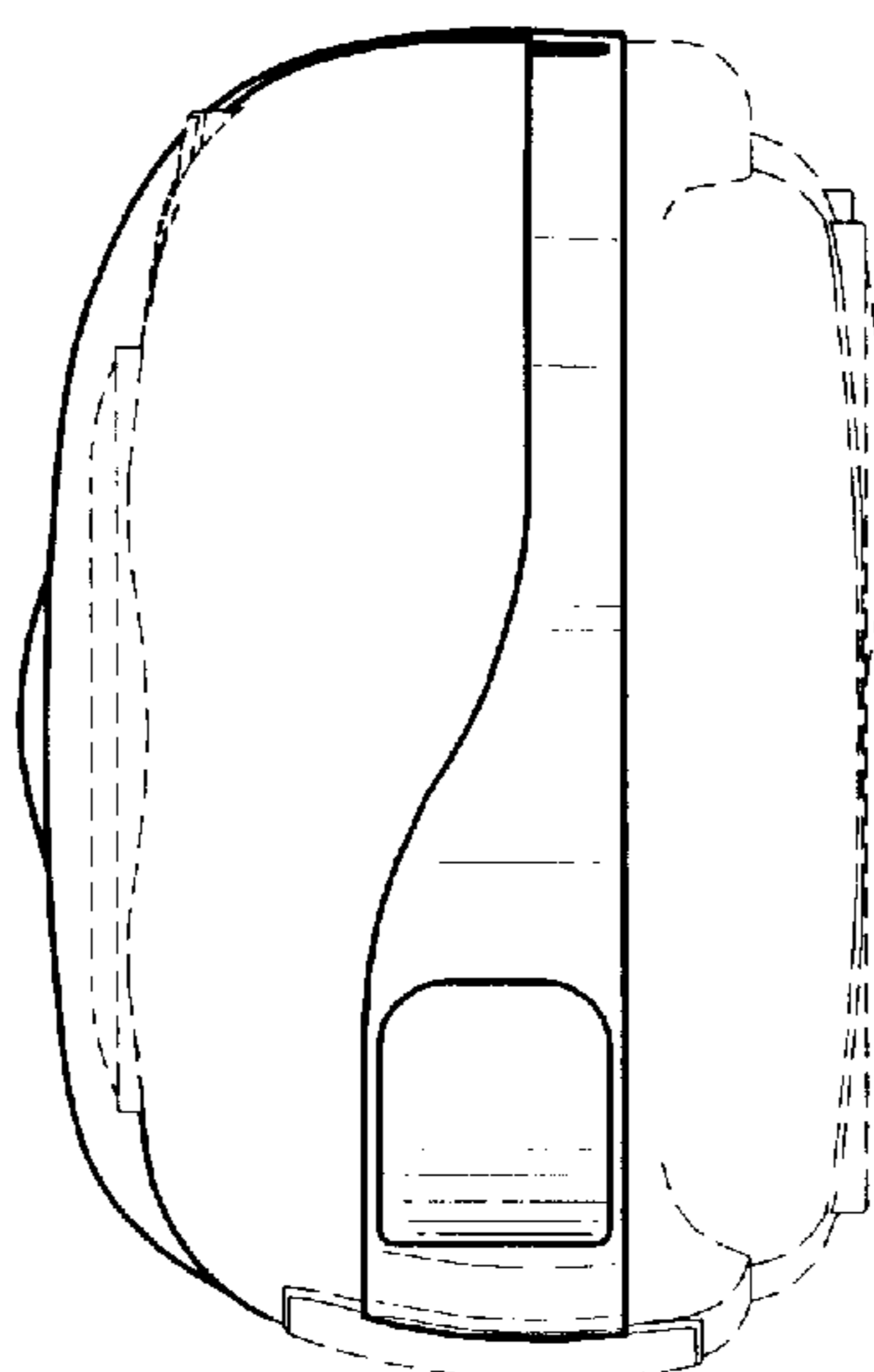


FIG. 6

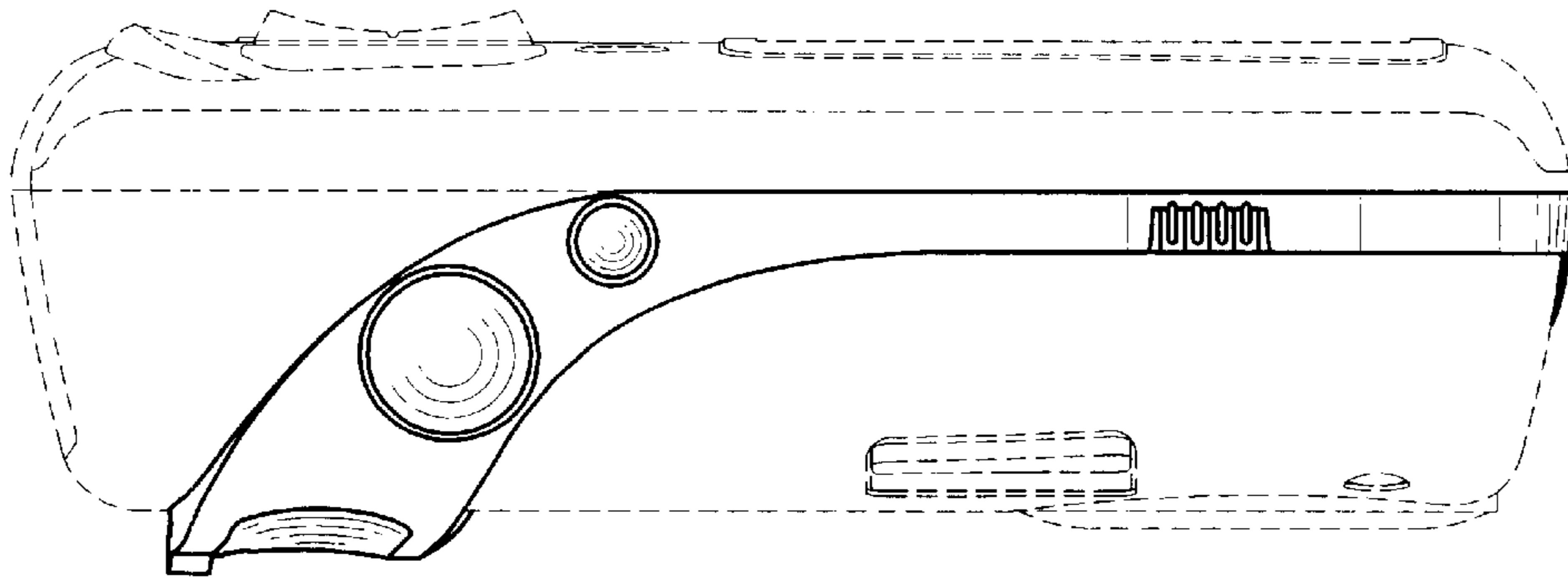


FIG. 7

