



US00D531652S

(12) **United States Design Patent**
Ogino et al.

(10) **Patent No.:** **US D531,652 S**

(45) **Date of Patent:** **** Nov. 7, 2006**

(54) **DIGITAL CAMERA**

(75) Inventors: **Masaki Ogino**, Tokyo (JP); **Akihiro Miyahara**, Kunitachi (JP); **Kazuhito Sakaguchi**, Sagamihara (JP)

(73) Assignee: **Casio Keisanki Kabushiki Kaisha**, Tokyo (JP)

(**) Term: **14 Years**

(21) Appl. No.: **29/226,949**

(22) Filed: **Apr. 5, 2005**

(51) **LOC (8) Cl.** **16-01**

(52) **U.S. Cl.** **D16/202**

(58) **Field of Classification Search** D16/200–206,
D16/208, 218; 348/373–376; 358/909.1;
396/535–541

See application file for complete search history.

(56) **References Cited**

U.S. PATENT DOCUMENTS

6,434,337 B1 * 8/2002 Misawa 358/909.1
D479,547 S * 9/2003 Nagayama D16/202

D502,480 S * 3/2005 Nagayama D16/202
D516,107 S * 2/2006 Kim D16/202
D519,140 S * 4/2006 Nasu D16/200

* cited by examiner

Primary Examiner—Adir Aronovich

(74) *Attorney, Agent, or Firm*—Frishauf, Holtz, Goodman & Chick, P.C.

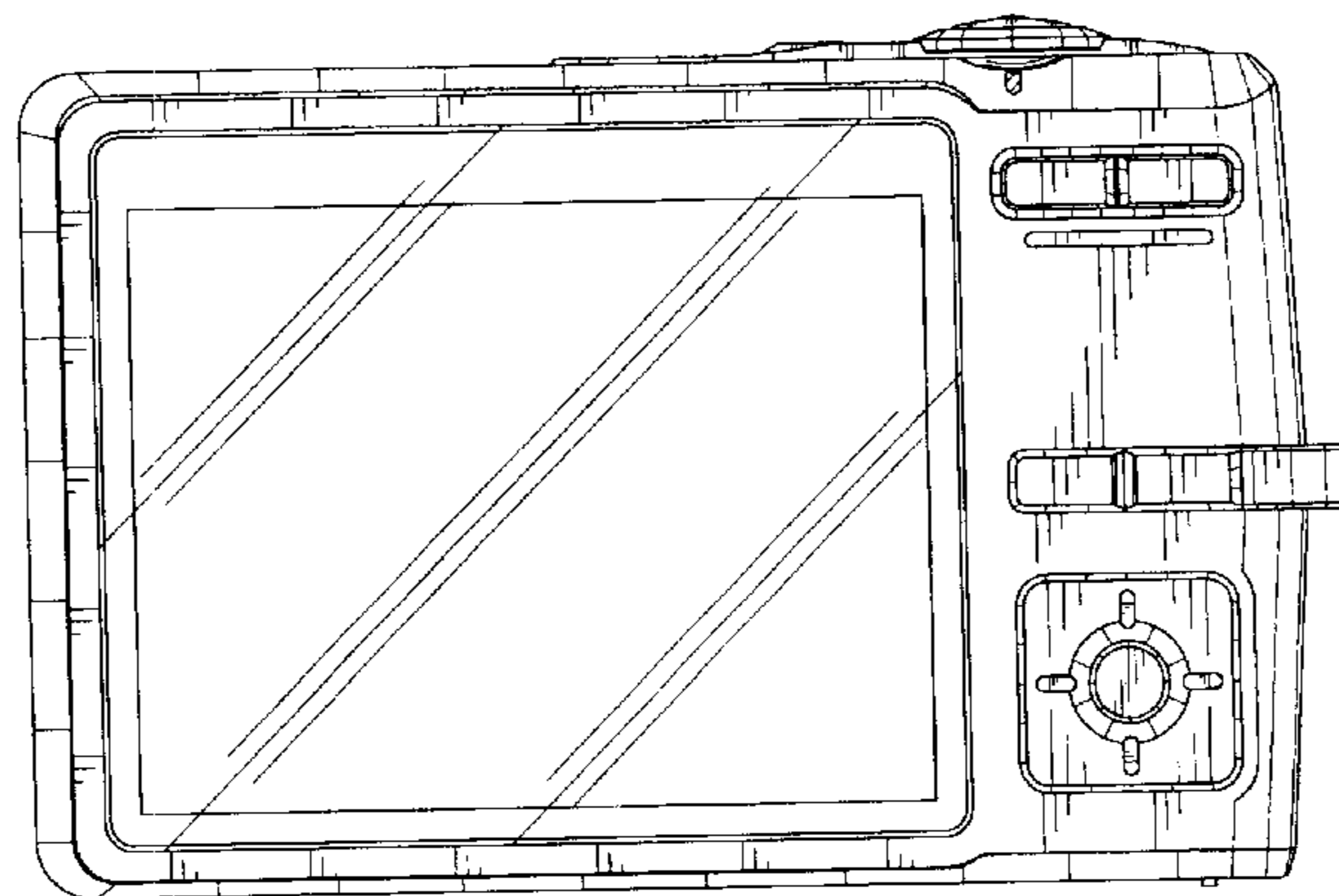
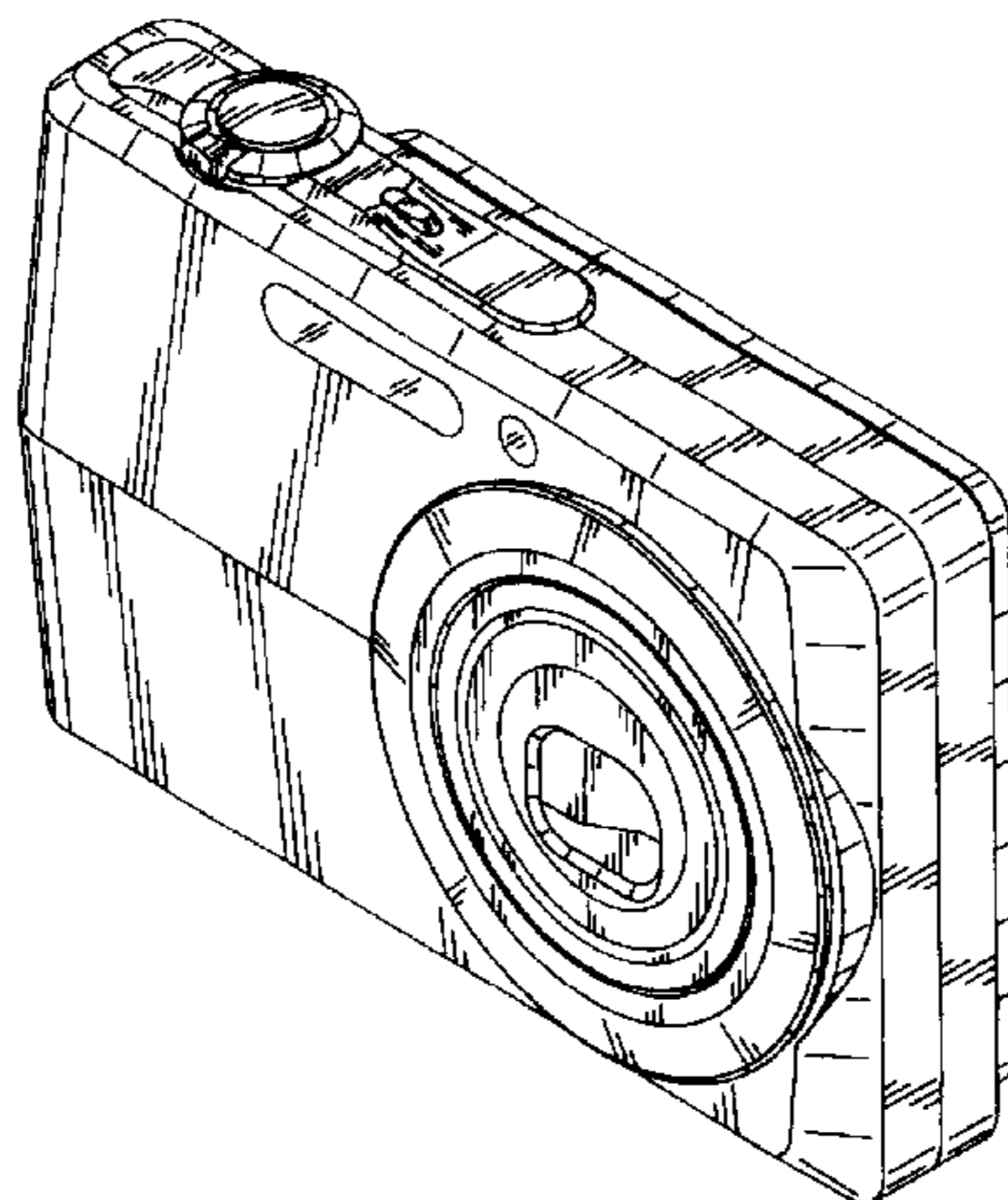
(57) **CLAIM**

The ornamental design for a digital camera, as shown and described.

DESCRIPTION

FIG. 1 is a reduced scale front, right side, top perspective view of a digital camera showing our new design;
FIG. 2 is a front elevational view thereof;
FIG. 3 is a rear elevational view thereof;
FIG. 4 is a left side view thereof;
FIG. 5 is a right side view thereof;
FIG. 6 is a top plan view thereof;
FIG. 7 is a bottom plan view thereof; and,
FIG. 8 is a reduced scale front, right side, top perspective view thereof showing the zoom lens extended.

1 Claim, 5 Drawing Sheets



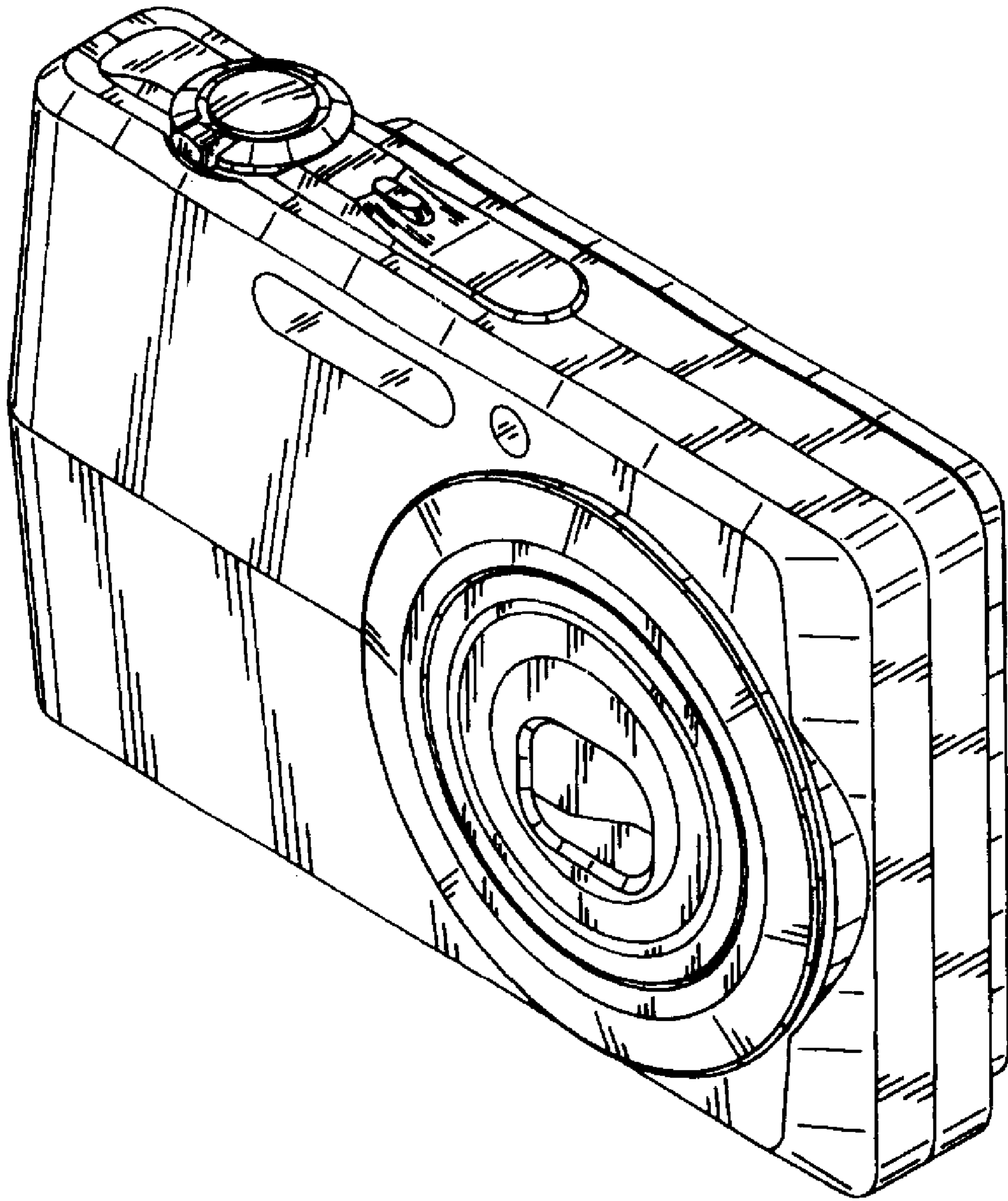


FIG. 1

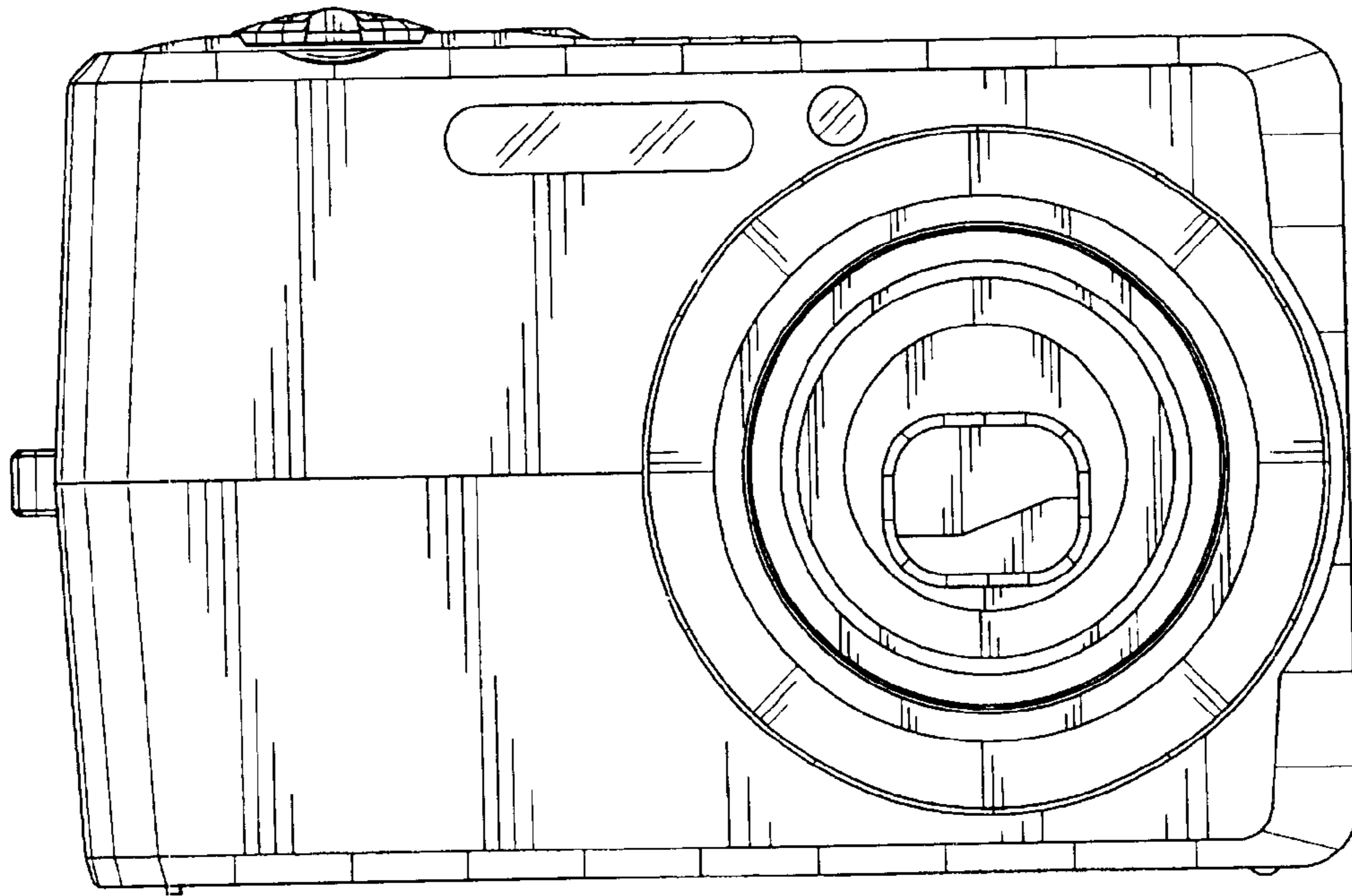


FIG. 2

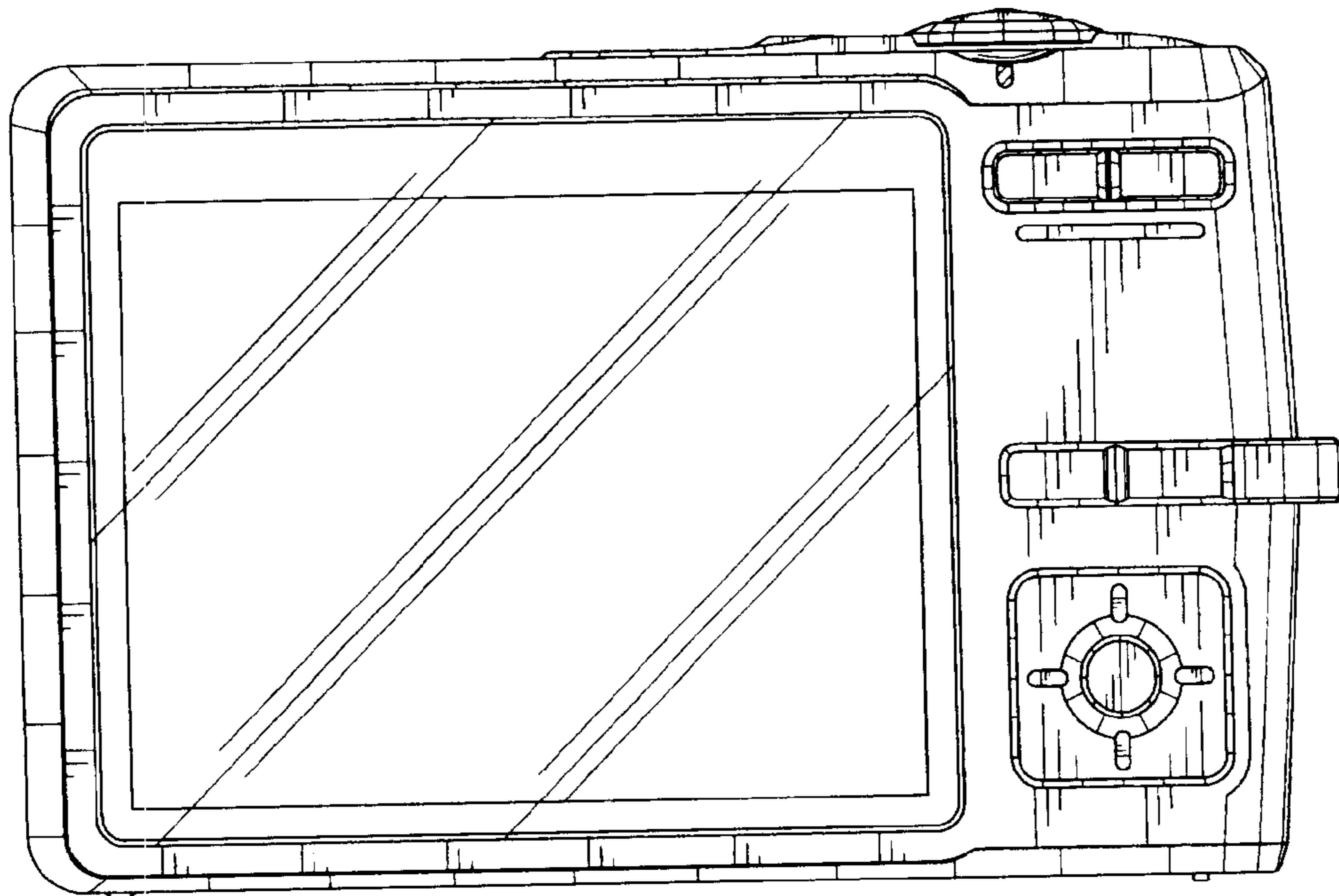


FIG. 3

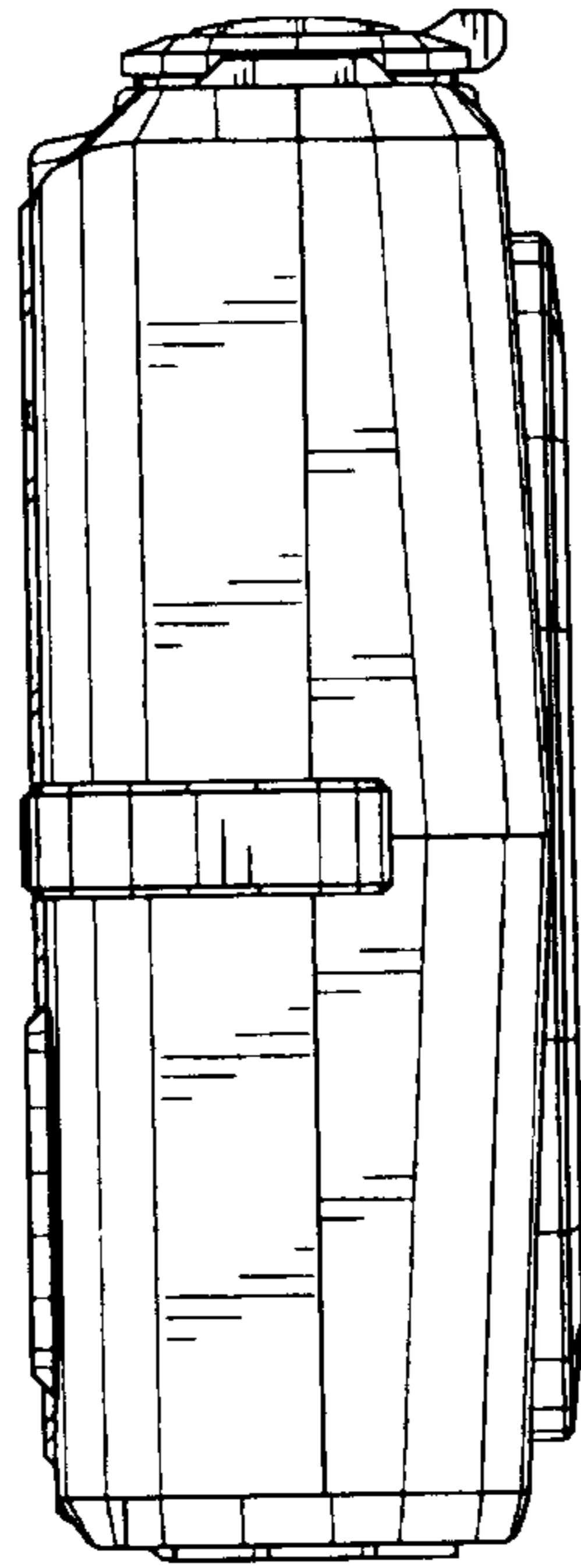


FIG. 4

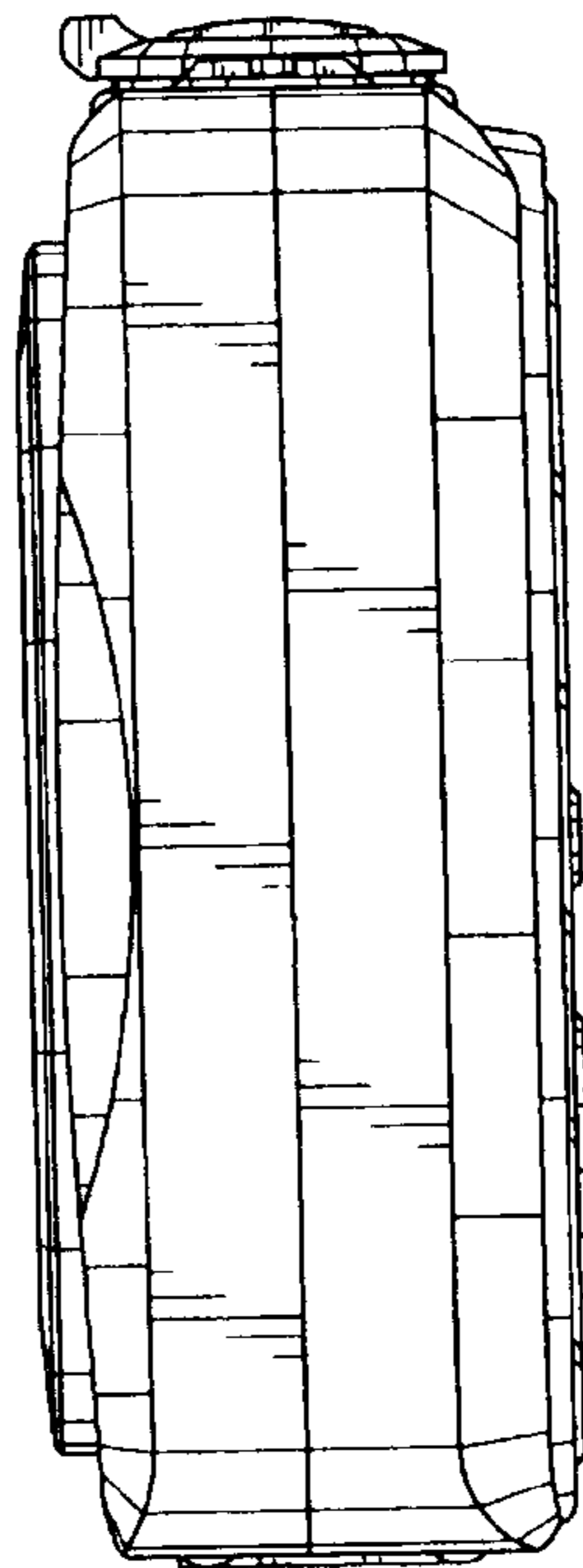


FIG. 5

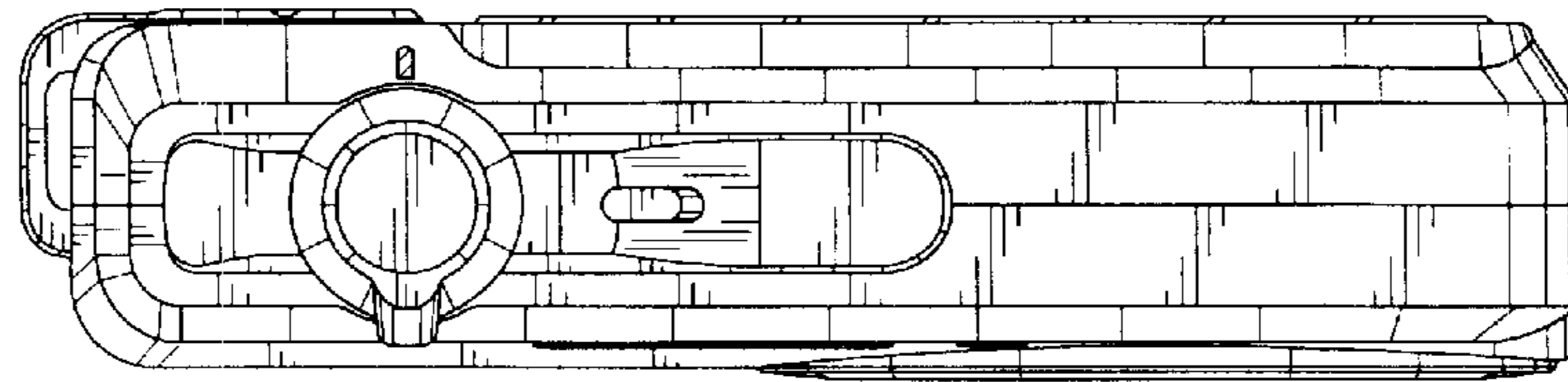


FIG. 6

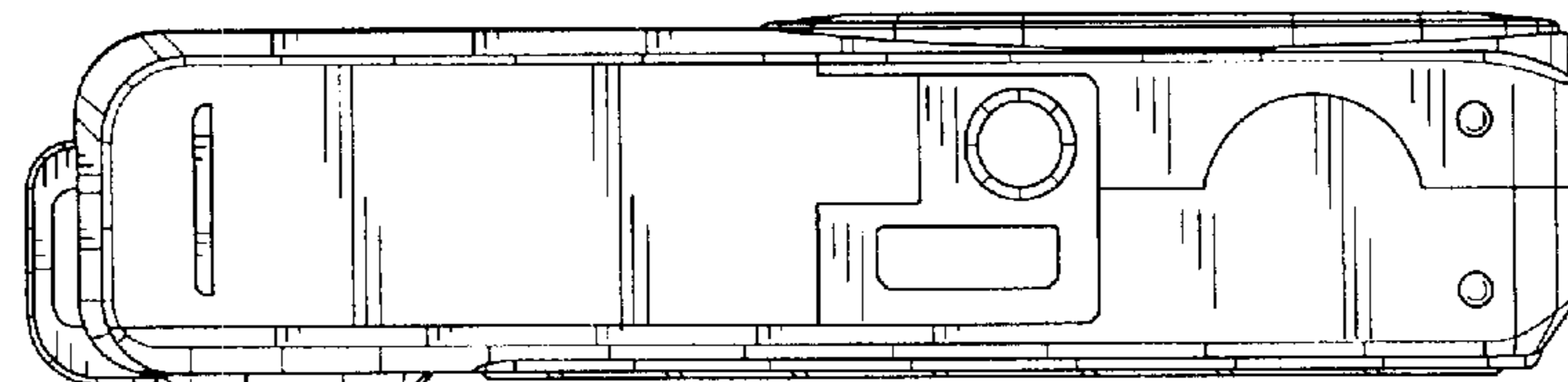


FIG. 7

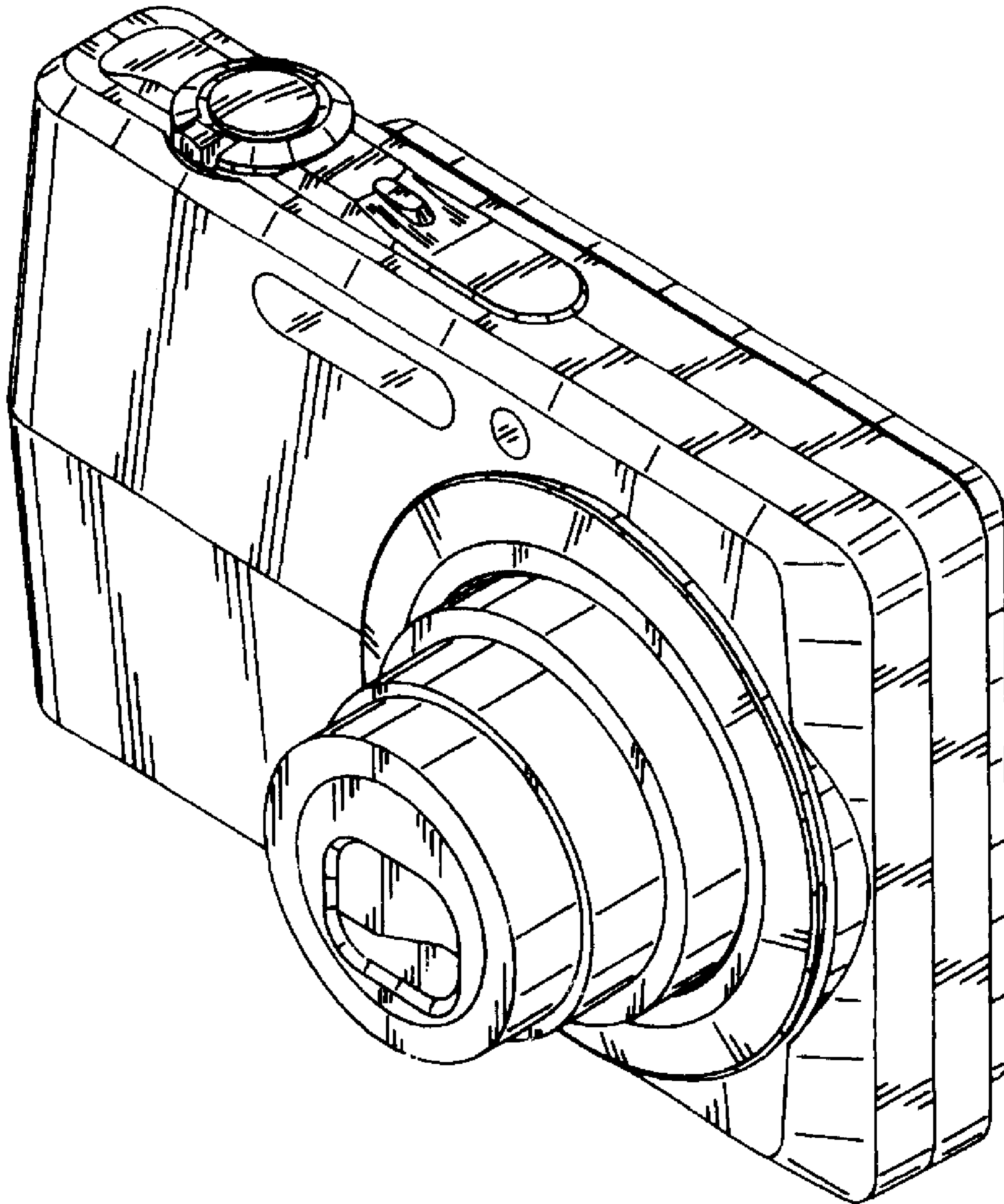


FIG. 8