



US00D531651S

(12) **United States Design Patent**
Yanagimoto

(10) **Patent No.:** **US D531,651 S**

(45) **Date of Patent:** **** Nov. 7, 2006**

(54) **ROUTER BIT**

FOREIGN PATENT DOCUMENTS

(75) Inventor: **Osamu Yanagimoto**, Kobe (JP)

JP 2003-170309 A 6/2003

(73) Assignee: **Falcon Co., LTD**, Kobe (JP)

* cited by examiner

(**) Term: **14 Years**

Primary Examiner—Antoine D. Davis

Assistant Examiner—Patricia Palasik

(21) Appl. No.: **29/254,252**

(74) *Attorney, Agent, or Firm*—Jason A. Bernstein; Powell Goldstein LLP

(22) Filed: **Feb. 21, 2006**

(57) **CLAIM**

(51) **LOC (8) Cl.** **15-09**

The ornamental design for a router bit, as shown and described.

(52) **U.S. Cl.** **D15/139**

DESCRIPTION

(58) **Field of Classification Search** D15/138,
D15/139; 144/134.2, 137, 228, 241, 253.2,
144/253.5, 371; 407/53, 54, 61, 63, 114;
409/182

FIG. 1 is a front elevation view thereof;
FIG. 2 is a rear view thereof;
FIG. 3 is a left side elevation view thereof;
FIG. 4 is a right side elevation view thereof;
FIG. 5 is a plan view of our new router bit;
FIG. 6 is a bottom plan view thereof;
FIG. 7 is a more detailed front elevation view;
FIG. 8 is a more detailed rear elevation view; and,
FIG. 9 is a perspective view.

See application file for complete search history.

The broken line showing is for illustrative purposes only and forms no part of the claimed design.

(56) **References Cited**

U.S. PATENT DOCUMENTS

1,379,209 A * 5/1921 Phillips D15/139
D248,659 S * 7/1978 Schneider, Sr. D15/139
4,664,567 A * 5/1987 Edwards D15/139

1 Claim, 2 Drawing Sheets





FIG. 1

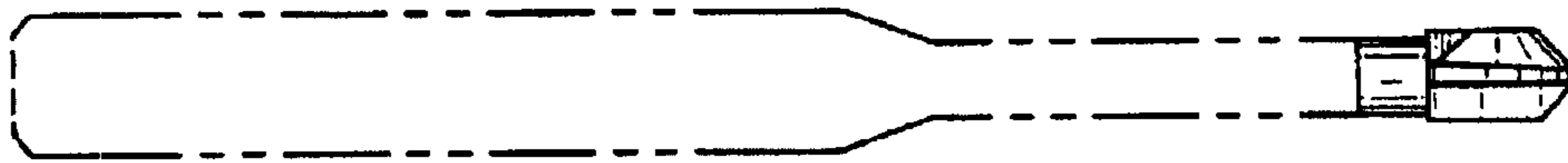


FIG. 2



FIG. 3



FIG. 4



FIG. 5

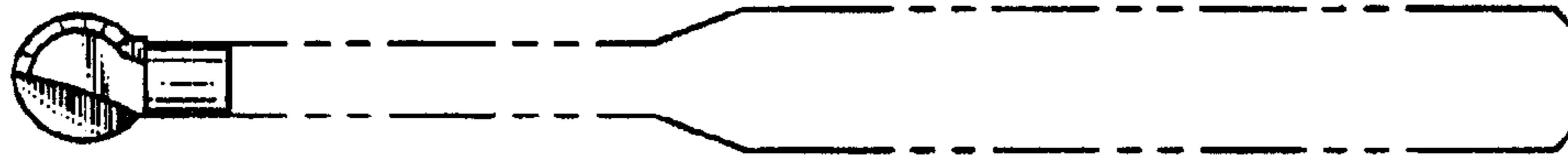


FIG. 6

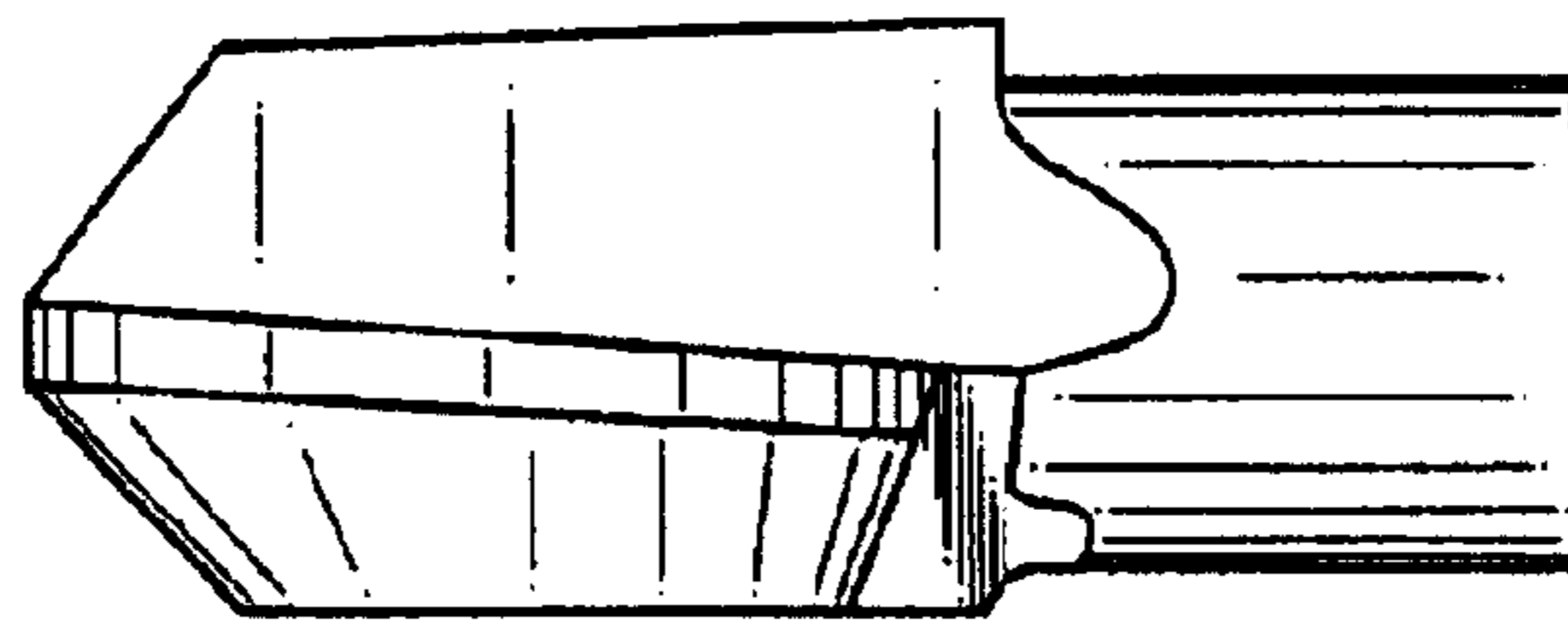


FIG. 7

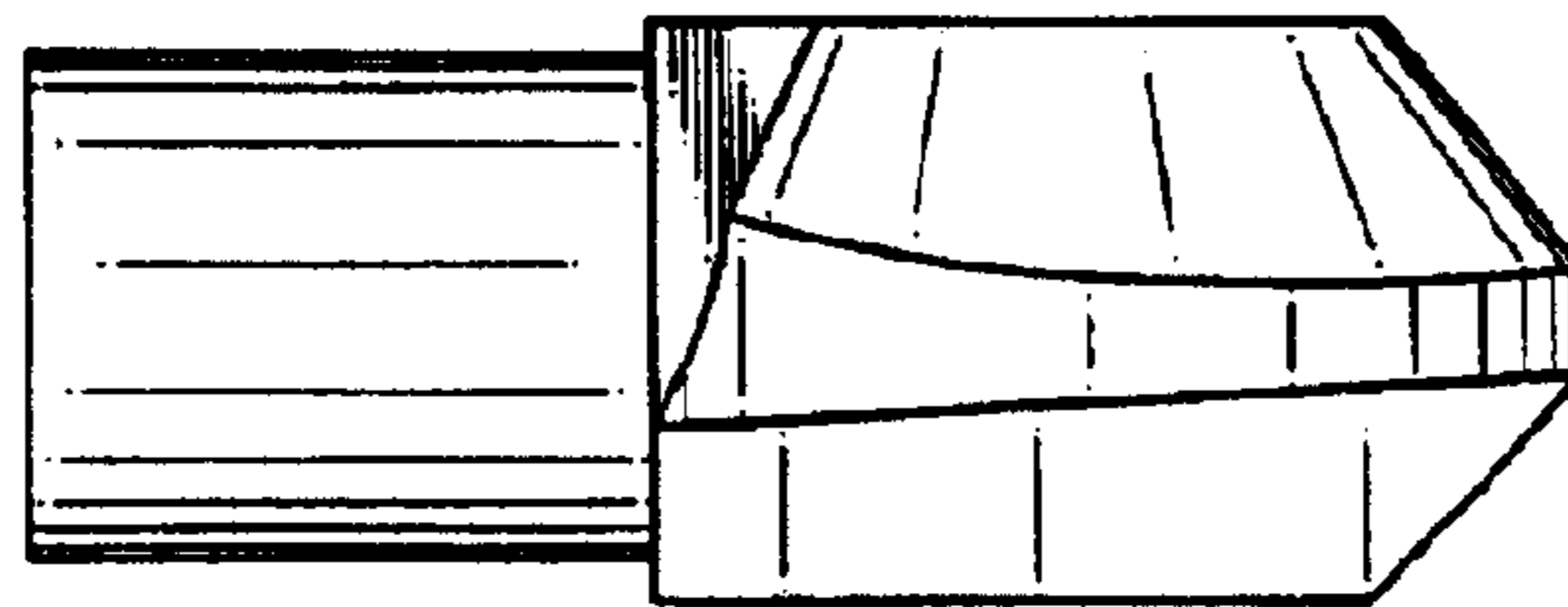


FIG. 8

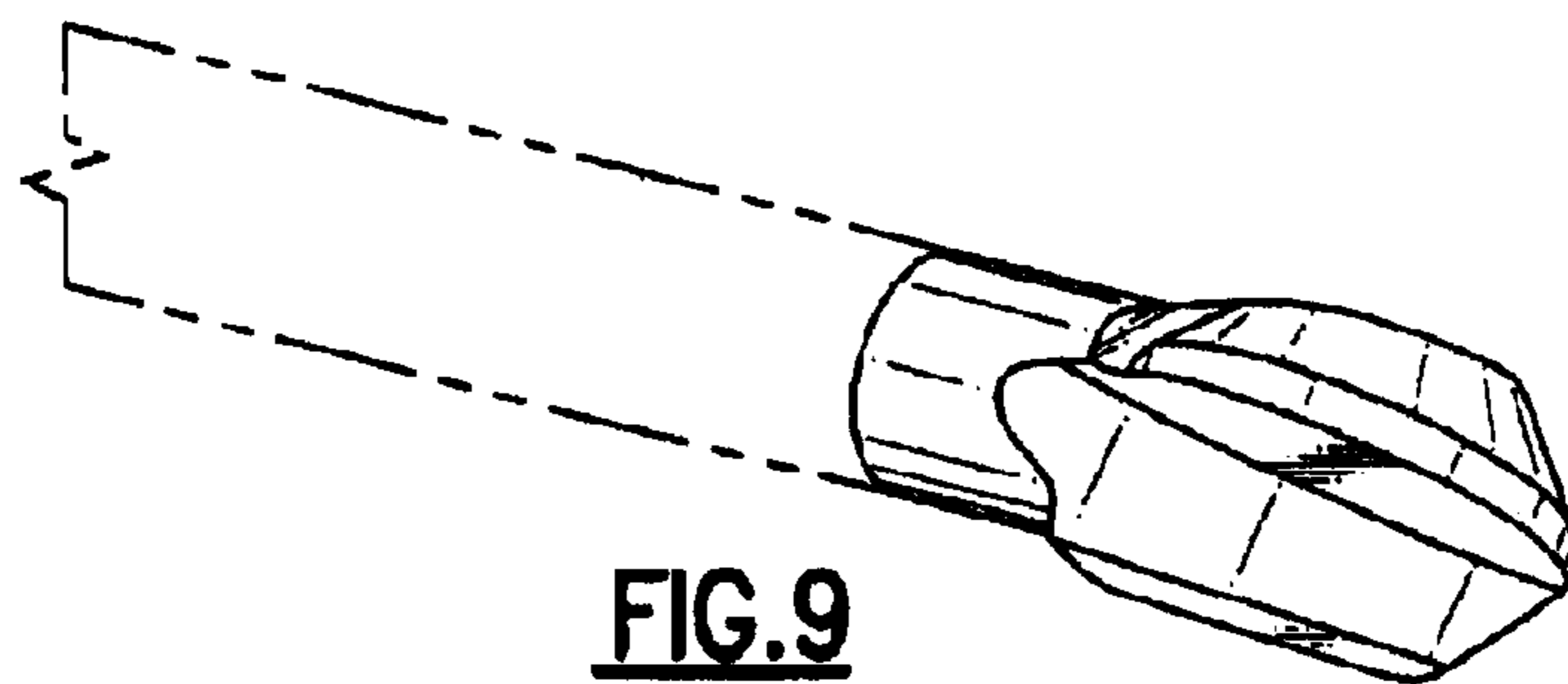


FIG. 9