



US00D531649S

(12) **United States Design Patent**
Sollami

(10) **Patent No.:** **US D531,649 S**

(45) **Date of Patent:** **** Nov. 7, 2006**

(54) **DRILL BIT BLADE**

(76) Inventor: **Jimmie L. Sollami**, 1017 Weaver Rd.,
Herrin, IL (US) 62948

(**) Term: **14 Years**

(21) Appl. No.: **29/217,253**

(22) Filed: **Nov. 15, 2004**

Related U.S. Application Data

(63) Continuation-in-part of application No. 10/264,121, filed on
Oct. 3, 2002, now Pat. No. 6,817,429.

(51) **LOC (8) Cl.** **15-09**

(52) **U.S. Cl.** **D15/139**

(58) **Field of Classification Search** D15/139,
D15/138; 175/420.1, 420.2, 426-435
See application file for complete search history.

(56) **References Cited**

U.S. PATENT DOCUMENTS

2,707,816 A	5/1955	Andersson
2,902,260 A	9/1959	Tilden
3,447,616 A	6/1969	Granat
4,314,616 A	2/1982	Rauckhorst et al.
4,342,368 A	8/1982	Denman
4,489,796 A	12/1984	Sanchez et al.
4,550,791 A	11/1985	Isakov
4,787,464 A	11/1988	Ojanen
5,184,689 A	2/1993	Sheirer et al.
D340,248 S	10/1993	Brady
5,269,387 A	12/1993	Nance
5,287,937 A	2/1994	Sollami et al.
5,297,643 A	3/1994	Montgomery, Jr. et al.
5,311,959 A	5/1994	Adams
D351,174 S	10/1994	Brady
5,375,672 A	12/1994	Peay et al.

5,429,199 A	7/1995	Sheirer et al.
5,458,210 A	10/1995	Sollami
5,628,376 A	5/1997	Kleine
5,630,478 A	5/1997	Schimke
5,735,648 A	4/1998	Kleine
5,829,540 A	11/1998	Reay et al.
5,996,715 A	12/1999	Reay et al.
6,026,918 A	2/2000	Briese
6,044,919 A	4/2000	Briese
D424,579 S	5/2000	Brady
D430,578 S	9/2000	Brady
6,145,606 A	11/2000	Haga
6,260,637 B1	7/2001	Hausmann et al.
6,260,638 B1	7/2001	Massa et al.
6,267,542 B1	7/2001	Salmon
6,817,429 B1 *	11/2004	Sollami 175/420.1
D509,519 S *	9/2005	Sollami D15/139
D512,083 S *	11/2005	Sollami D15/139
D513,273 S *	12/2005	Sollami D15/139

* cited by examiner

Primary Examiner—Antoine D. Davis
Assistant Examiner—Patricia Palasik
(74) *Attorney, Agent, or Firm*—Pitts & Brittan, P.C.

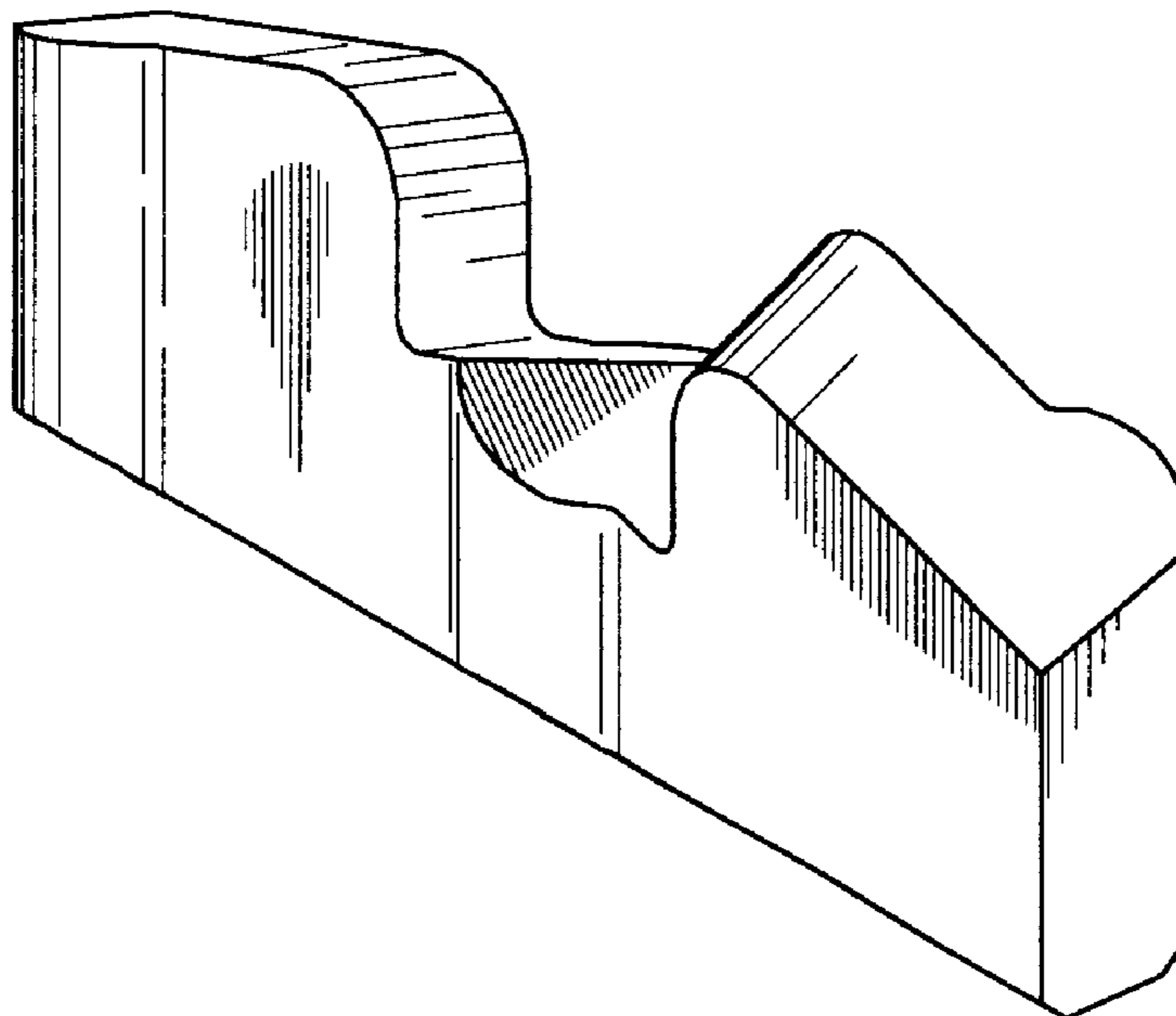
(57) **CLAIM**

I claim the ornamental design for a drill bit blade, as shown and described.

DESCRIPTION

FIG. 1 is a perspective illustration of the drill bit blade of the present invention;
FIG. 2 is a front elevation view of the drill bit blade of FIG. 1, the rear elevation view being mirror image thereto;
FIG. 3 is a left end elevation view of the drill bit blade of FIG. 1, the right end elevation being mirror image thereto;
FIG. 4 is a top plan view of the drill bit blade of FIG. 1; and,
FIG. 5 is a bottom plan view of the drill bit blade of FIG. 1.

1 Claim, 2 Drawing Sheets



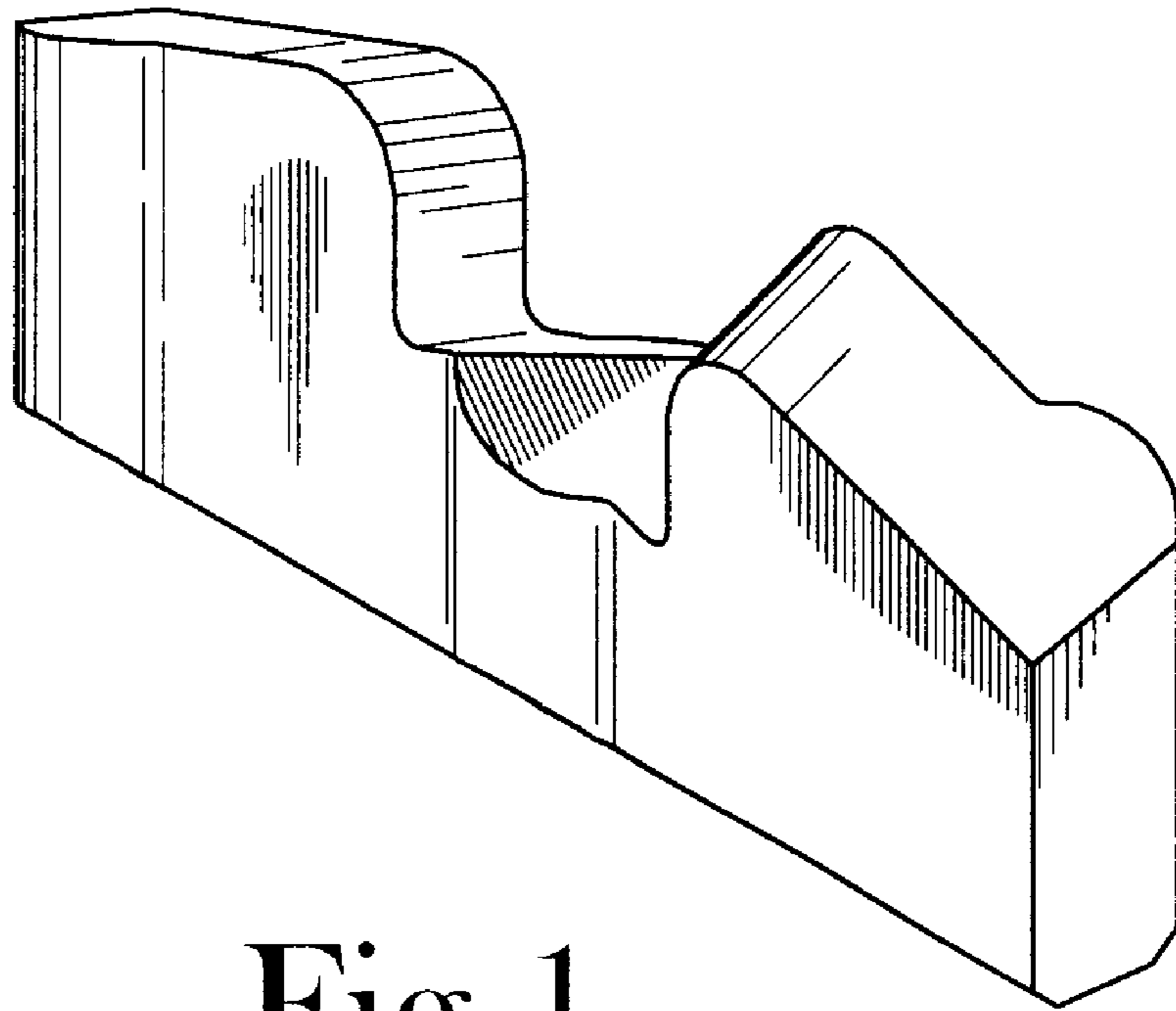


Fig. 1

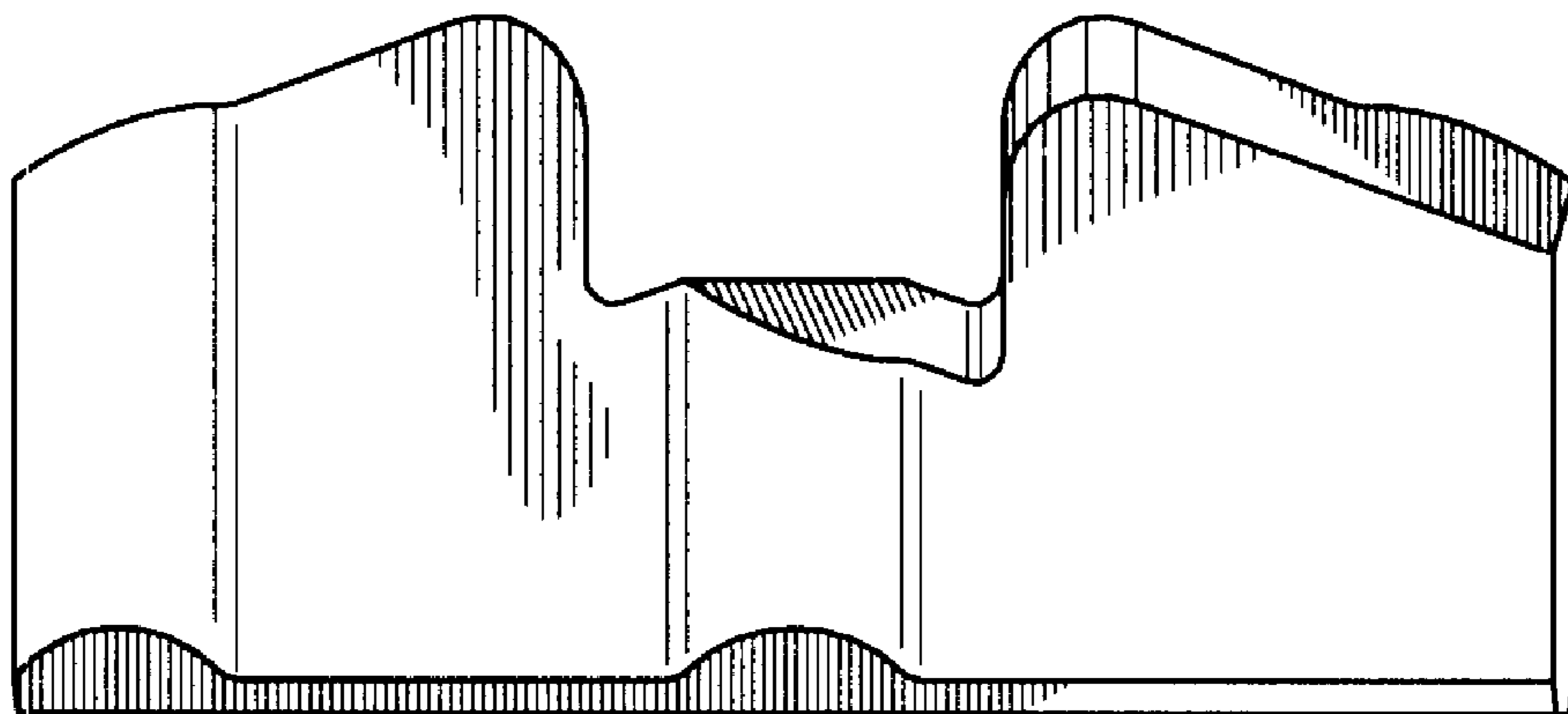


Fig. 2

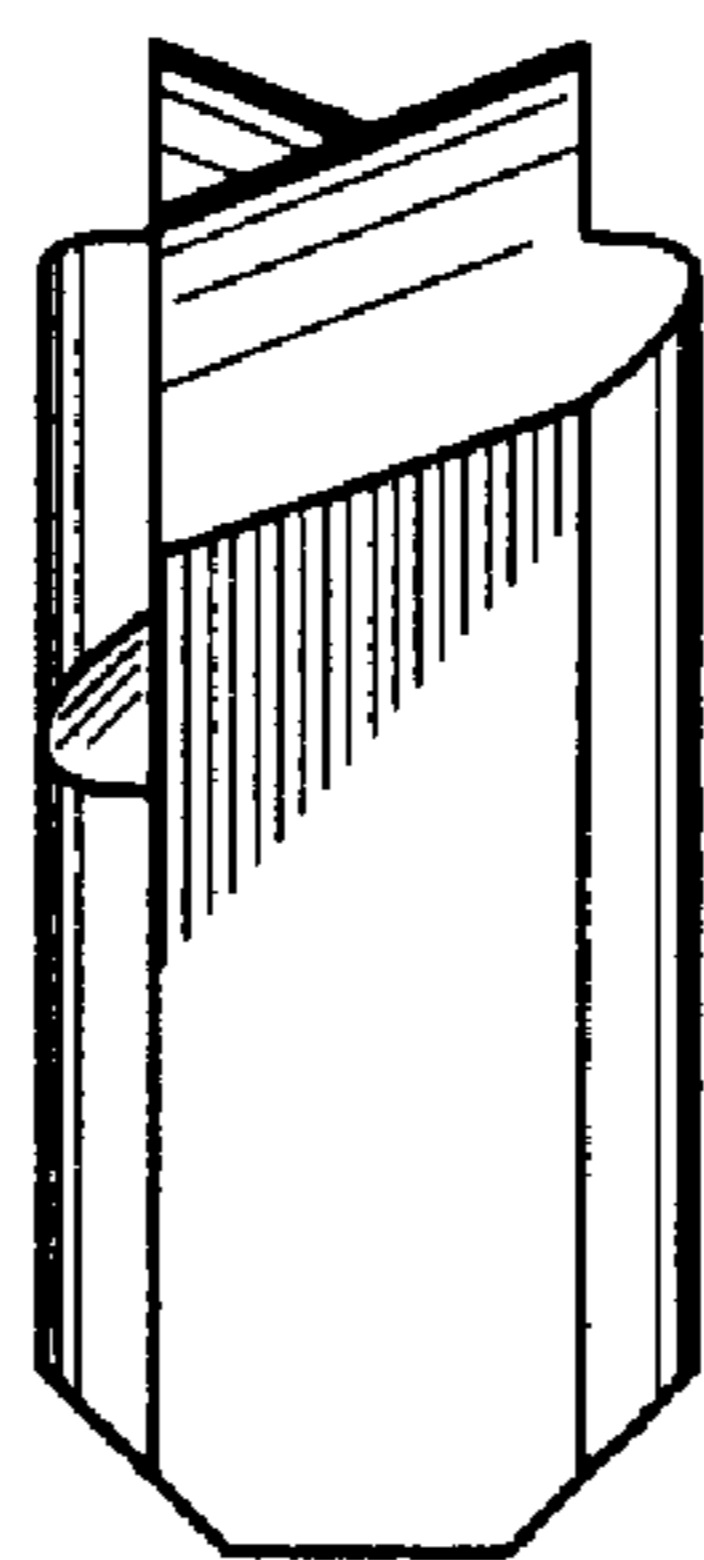


Fig. 3

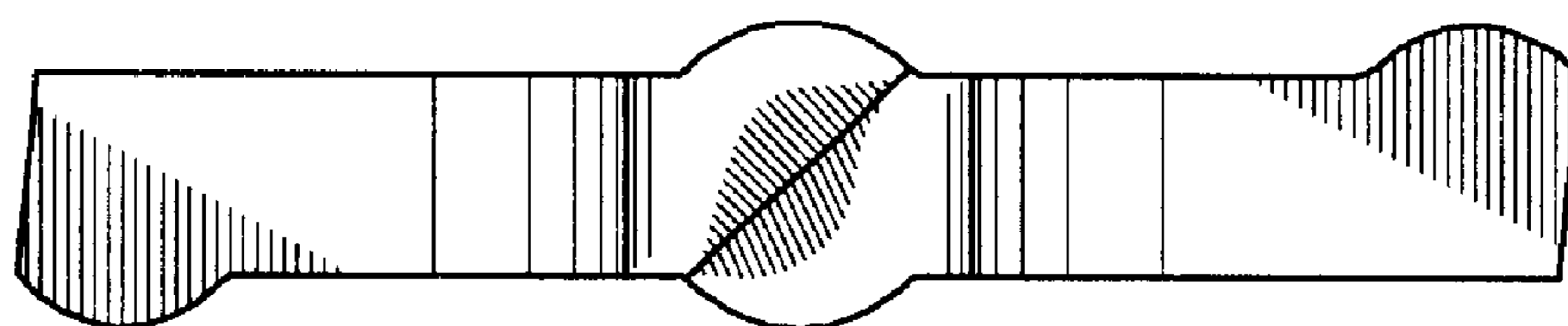


Fig. 4

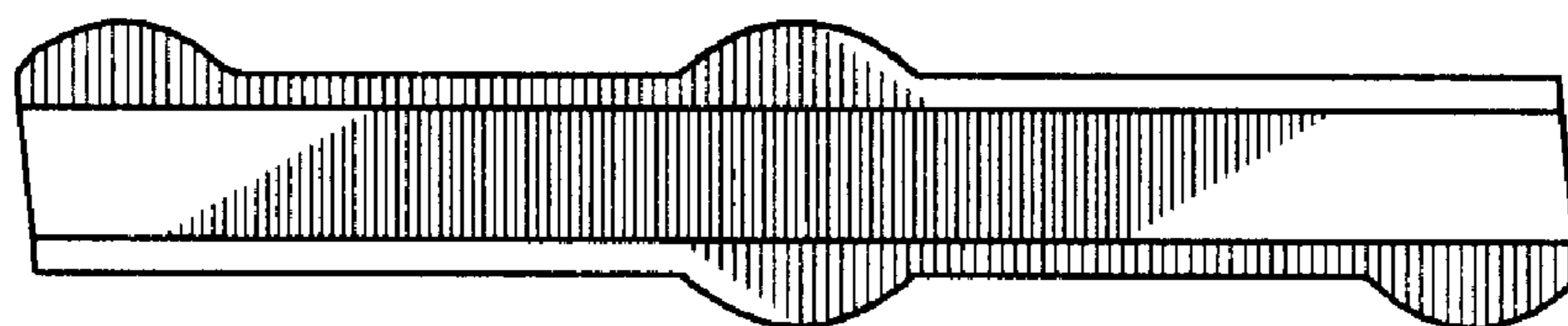


Fig. 5