



US00D531647S

(12) **United States Design Patent**  
**Stender et al.**

(10) **Patent No.:** **US D531,647 S**

(45) **Date of Patent:** **\*\* Nov. 7, 2006**

(54) **CAB FOR A MOTOR GRADER**

(75) Inventors: **Mark Wayne Stender**, Dubuque, IA (US); **Thomas Howard Ward**, Ventura, CA (US); **Owen Robert Ziemer**, Eyota, MN (US); **Craig Thomas Ness**, Kasson, MN (US); **Stephen H. Kaminski**, Newbury Park, CA (US)

(73) Assignee: **Deere & Company**, Moline, IL (US)

(\*\*) Term: **14 Years**

(21) Appl. No.: **29/245,911**

(22) Filed: **Oct. 25, 2005**

(51) **LOC (8) Cl.** ..... **15-03**

(52) **U.S. Cl.** ..... **D15/30**

(58) **Field of Classification Search** ..... D15/10,  
D15/22-26, 28, 30, 31; 180/89.11, 89.12,  
180/89.13, 89.19, 900; 296/190.01, 190.08,  
296/210, 190, 202

See application file for complete search history.

(56) **References Cited**

**U.S. PATENT DOCUMENTS**

3,568,778	A	3/1971	Swisher	172/785
3,982,601	A	9/1976	Williams	180/89
D245,697	S	* 9/1977	Skyer et al.	D15/30
D245,698	S	* 9/1977	Skyer et al.	D15/30
D249,523	S	* 9/1978	Segales	D15/30
D258,823	S	* 4/1981	Skyer et al.	D15/30
D275,199	S	* 8/1984	Schmidt et al.	D15/30
4,524,836	A	6/1985	Pehrson	172/4.5
D297,142	S	* 8/1988	Funabashi et al.	D15/30
D297,329	S	* 8/1988	Monehaie et al.	D15/30

D304,589	S	* 11/1989	Lanphere et al.	D15/30
D312,827	S	* 12/1990	Boddin et al.	D15/30
D317,011	S	* 5/1991	Boddin et al.	D15/30
D384,358	S	* 9/1997	Smith	D15/30
D439,586	S	* 3/2001	Moehle et al.	D15/33
D497,920	S	* 11/2004	Antonetti	D15/30

**OTHER PUBLICATIONS**

Brochure about CAT 143H Motor Grader (24 pages) (2003).  
Brochure about VOLVO 736A Motor Grader (4 pages) (Jun. 1999).

Images of Deere 772CH Motor Grader (4 sheets) (Oct. 2000).

\* cited by examiner

*Primary Examiner*—Stella Reid

*Assistant Examiner*—Mark Goodwin

(57) **CLAIM**

The ornamental design for a cab for a motor grader, as shown and described.

**DESCRIPTION**

FIG. 1 is a side view of a cab for a motor grader showing our new design;

FIG. 2 is a front oblique view thereof;

FIG. 3 is a front view thereof;

FIG. 4 is a rear view thereof;

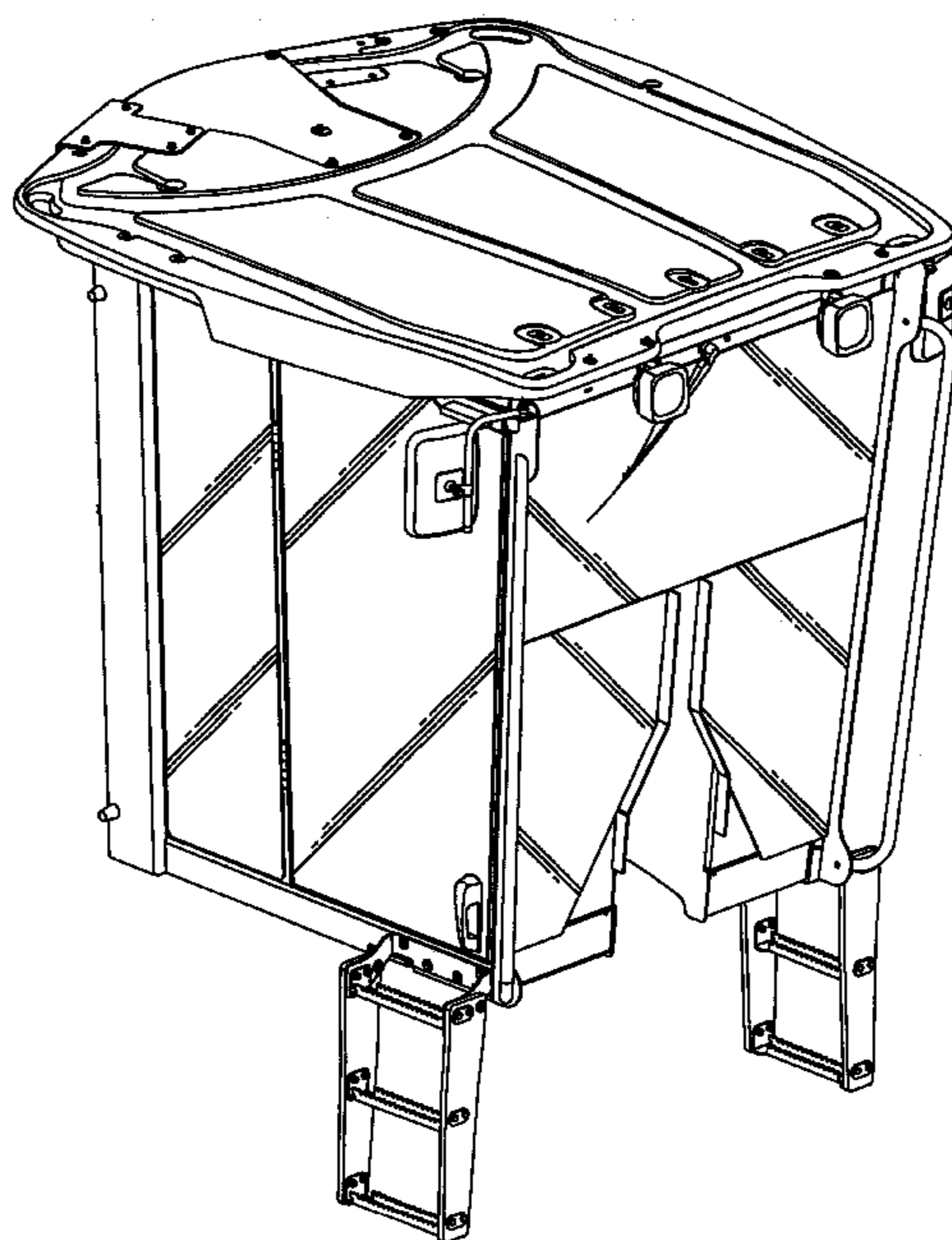
FIG. 5 is a side view thereof;

FIG. 6 is an opposite side view thereof; and,

FIG. 7 is a top plan view thereof.

The broken line showing of the motor grader in FIG. 1 is for illustrative purposes only and forms no part of the claimed design.

**1 Claim, 7 Drawing Sheets**



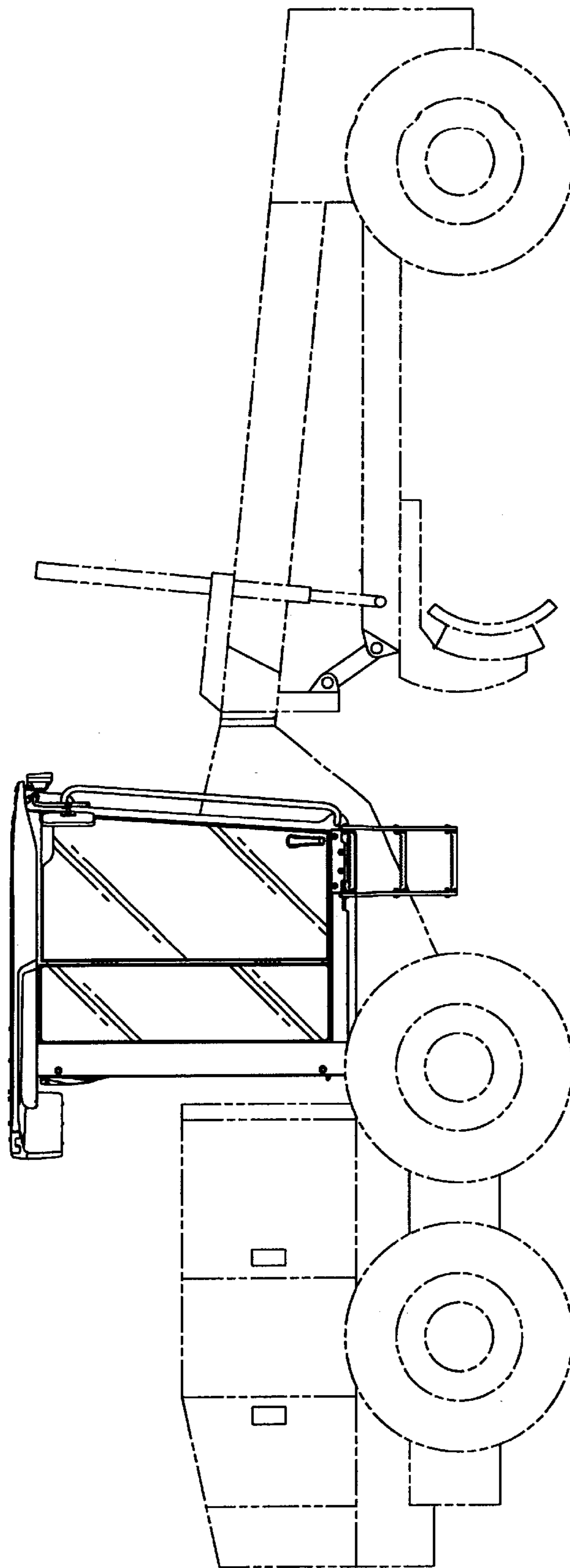


Fig. 1

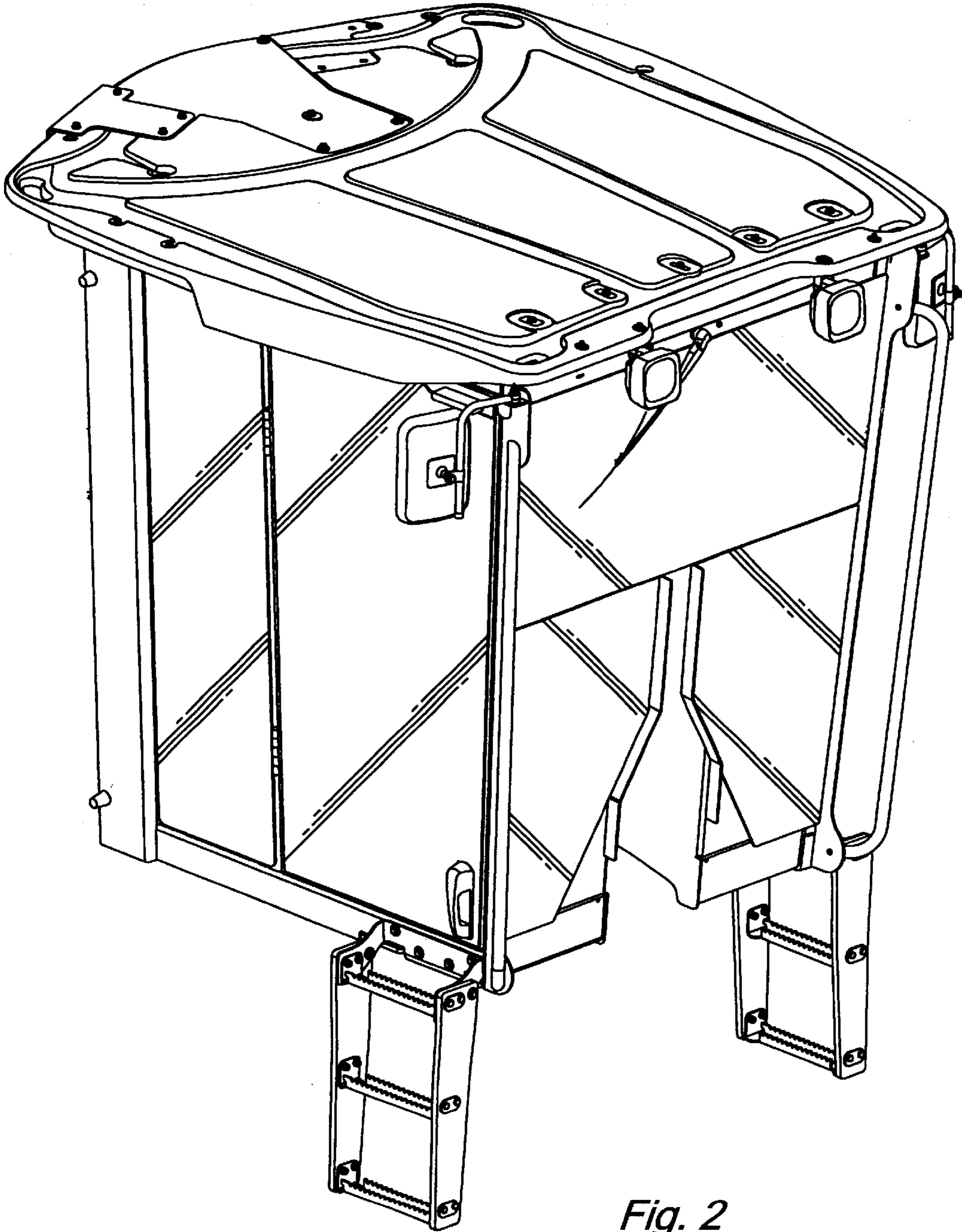
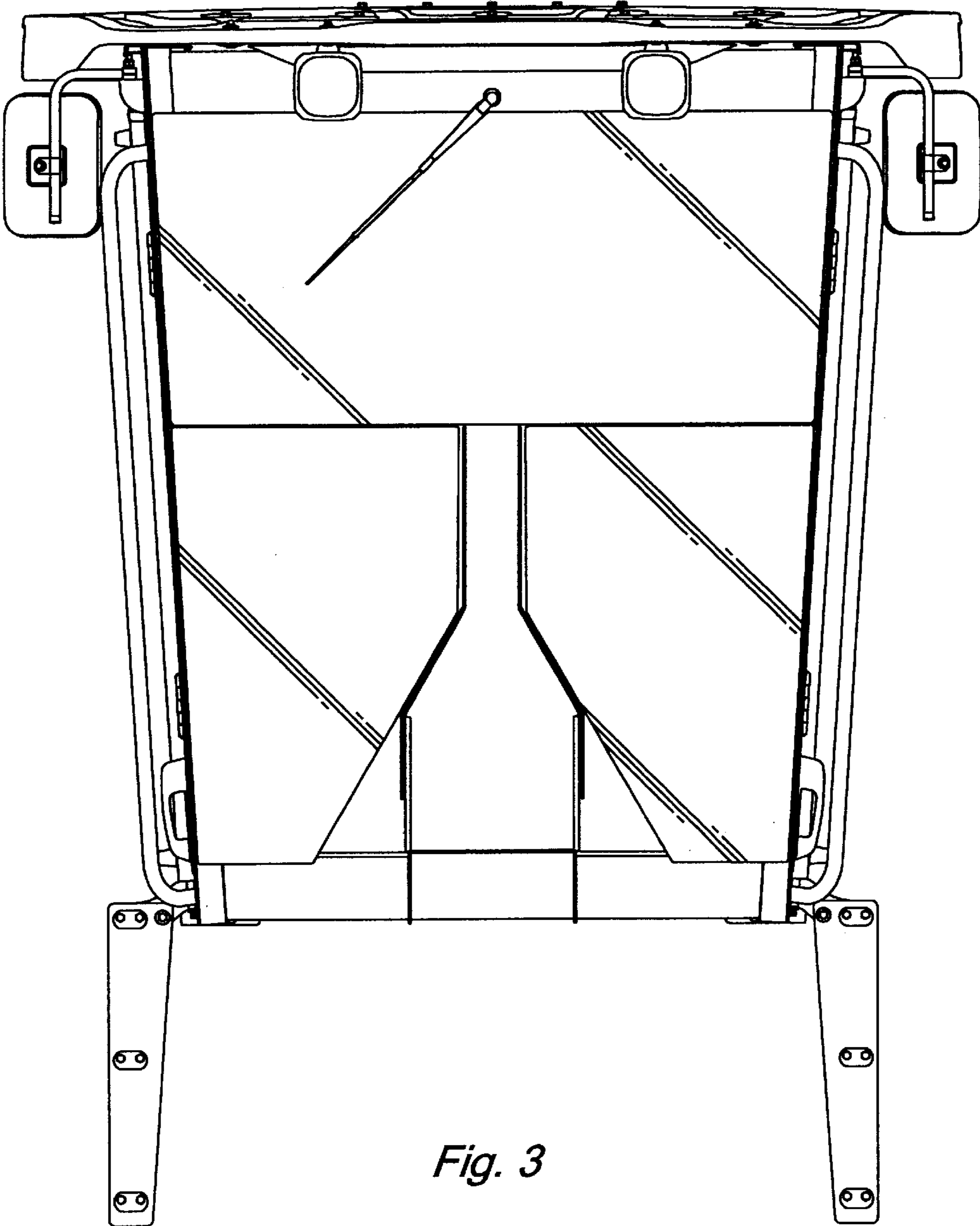
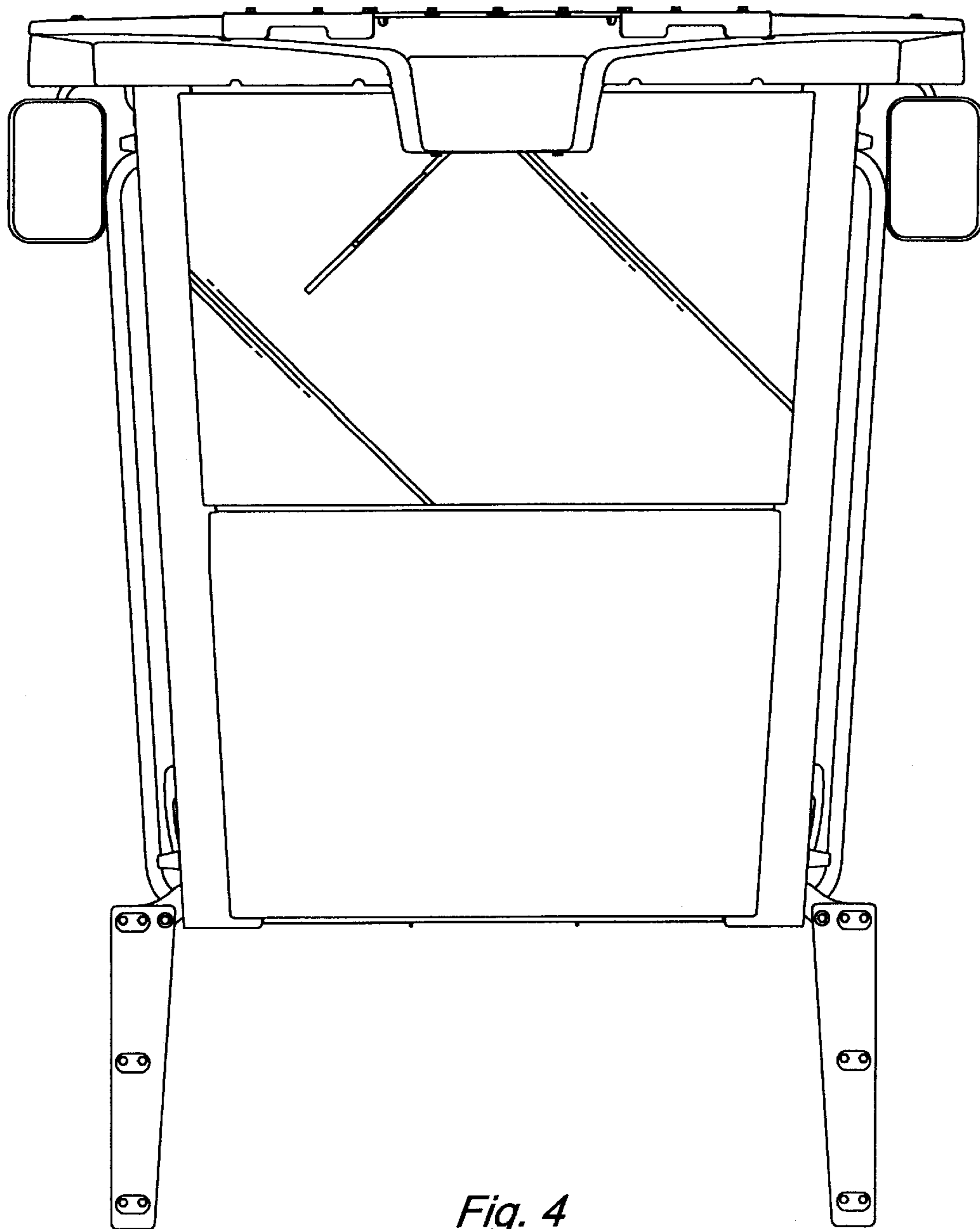


Fig. 2



*Fig. 3*



*Fig. 4*

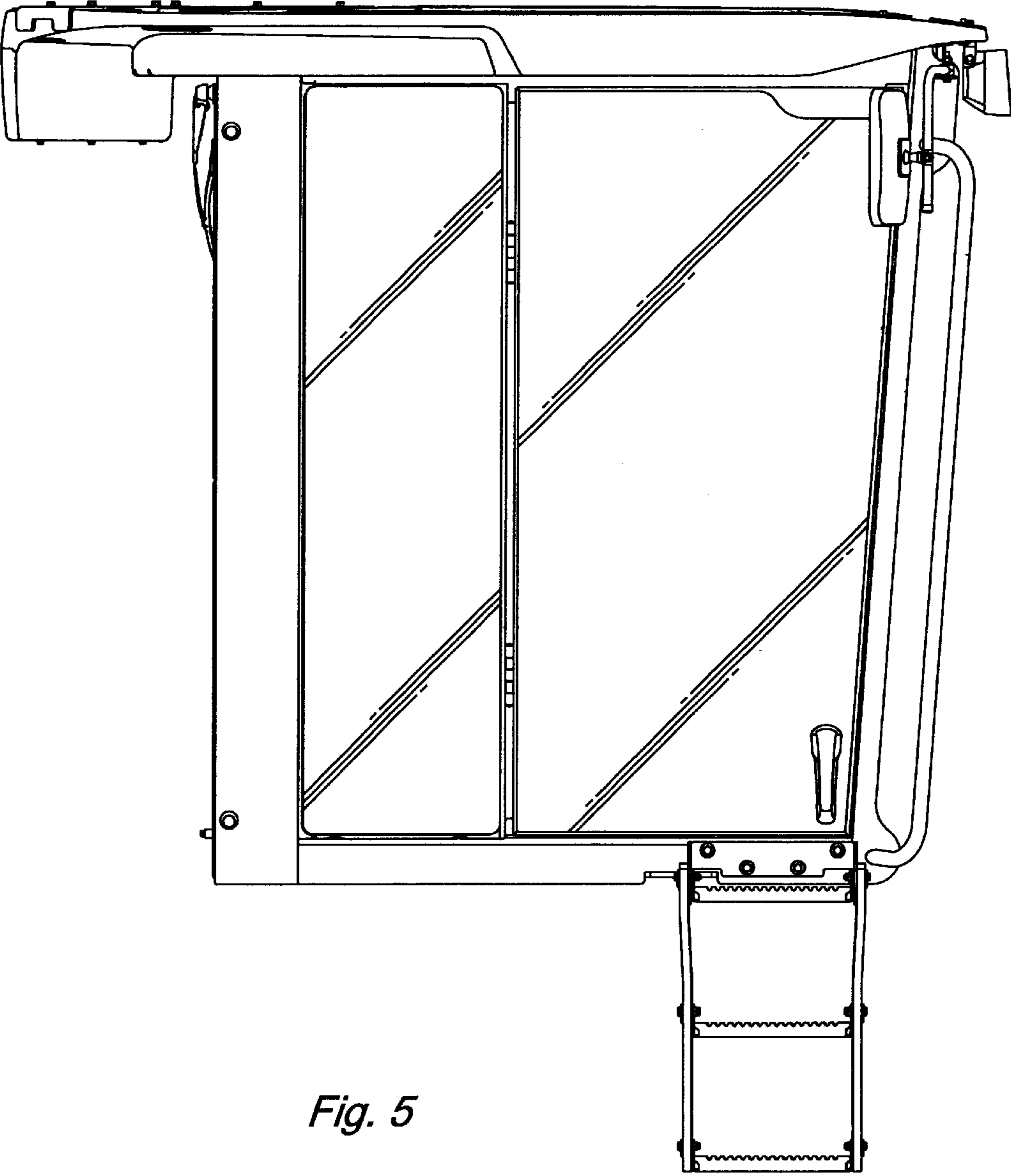
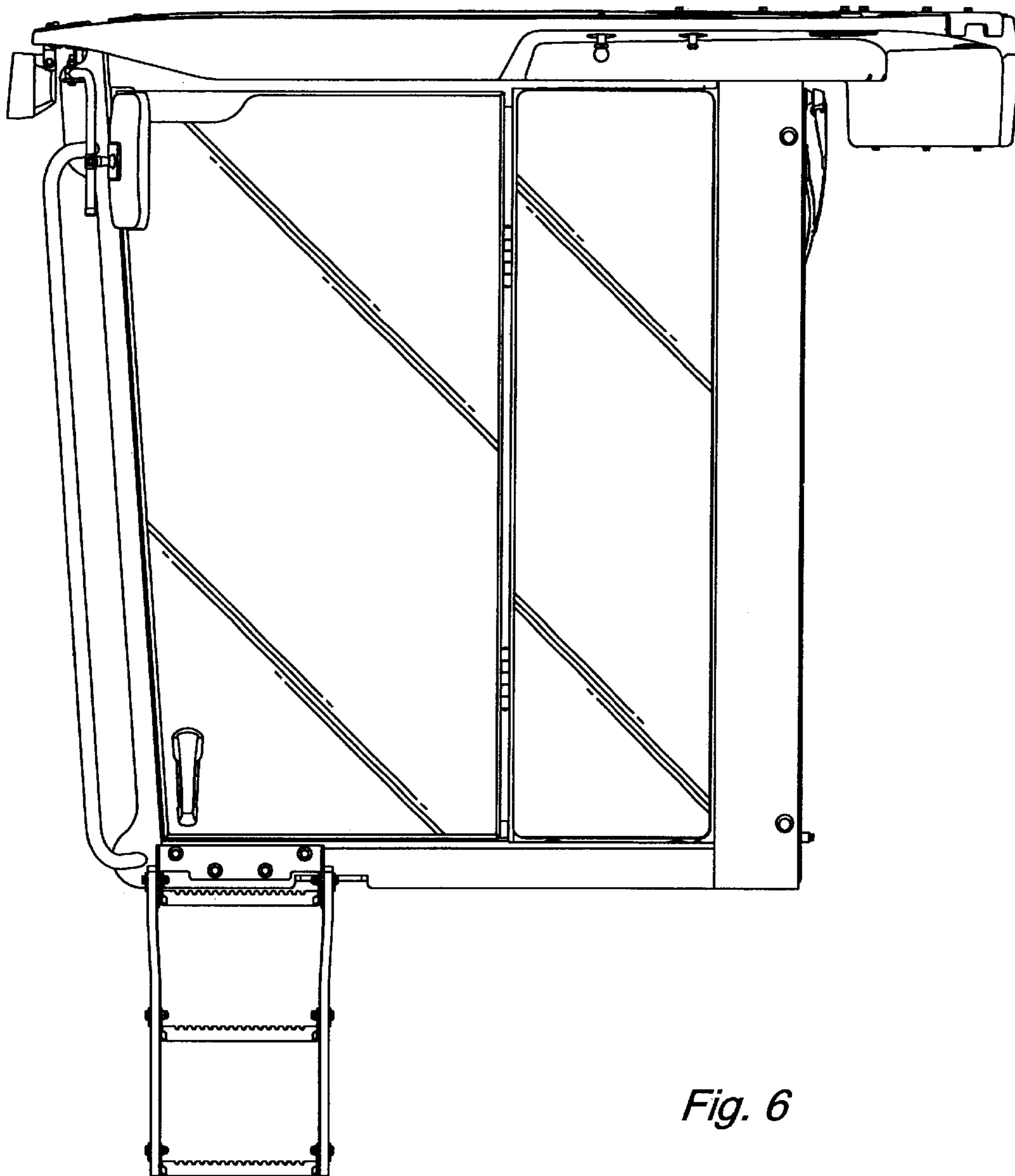
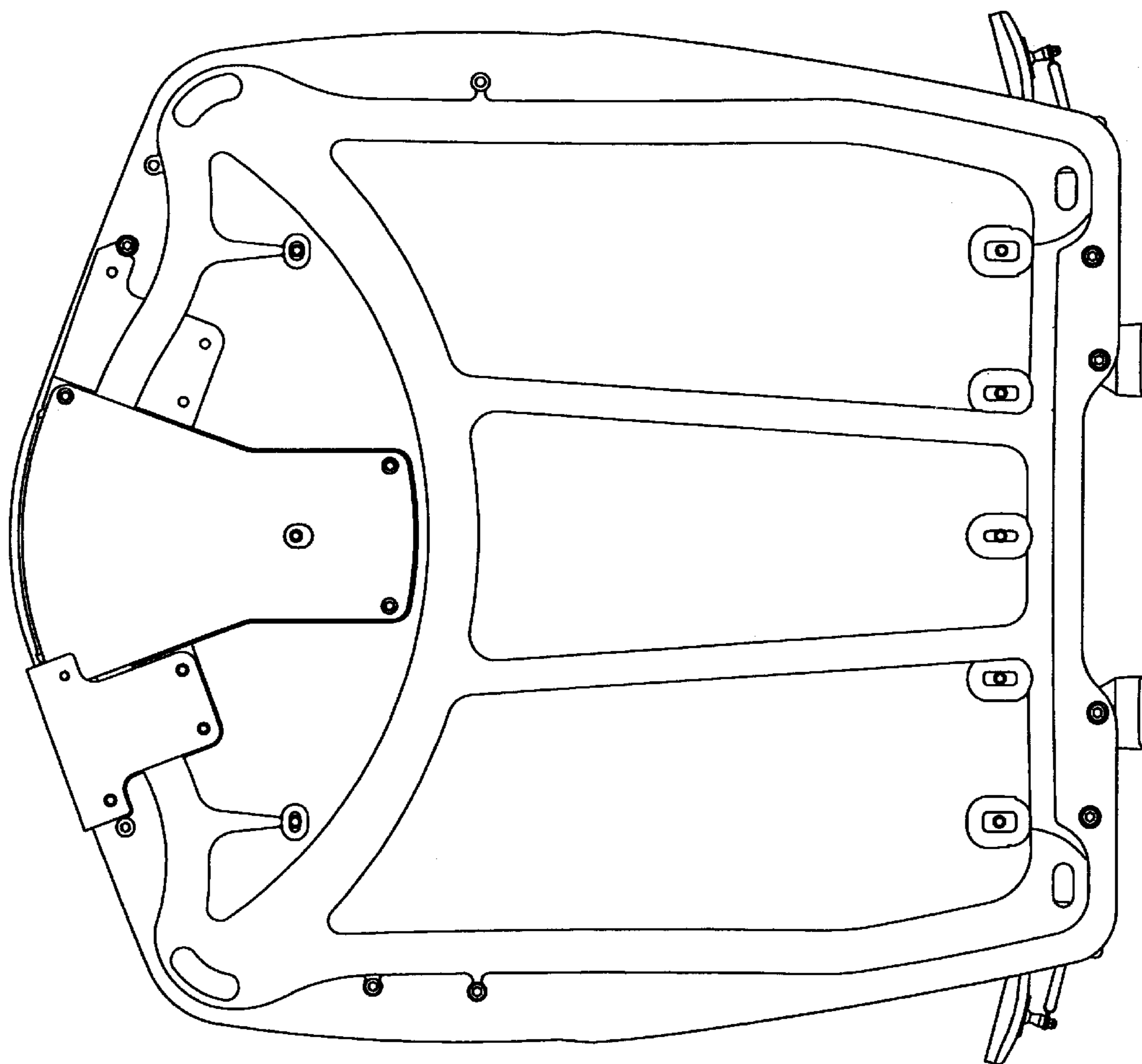


Fig. 5



*Fig. 6*



*Fig. 7*