



US00D531646S

(12) **United States Design Patent** (10) **Patent No.:** **US D531,646 S**  
**McCarren, Jr. et al.** (45) **Date of Patent:** **\*\* Nov. 7, 2006**

(54) **TRACTOR CAB**

(75) Inventors: **Michael Patrick McCarren, Jr.**,  
Charlotte, NC (US); **Anthony John  
Baxter**, Hoboken, NJ (US); **James  
Heinrich Weitz**, Hoboken, NY (US);  
**Thomas Chilton Hill**, Charlotte, NC  
(US); **Michael David Caudill**, Mt.  
Pleasant, SC (US); **Paul Michael  
Elhardt**, Evans, GA (US)

(73) Assignee: **Deere & Company**, Moline, IL (US)

(\*\*) Term: **14 Years**

(21) Appl. No.: **29/241,958**

(22) Filed: **Nov. 3, 2005**

(51) **LOC (8) Cl.** ..... **15-03**

(52) **U.S. Cl.** ..... **D15/30**

(58) **Field of Classification Search** ..... D15/10,  
D15/22-26, 28, 30, 31; 180/89.11, 89.12,  
180/89.13, 89.19, 900; 296/190.01, 190.08,  
296/210, 190, 202

See application file for complete search history.

(56) **References Cited**

**U.S. PATENT DOCUMENTS**

D245,697 S \* 9/1977 Skyer et al. .... D15/30  
D245,698 S \* 9/1977 Skyer et al. .... D15/30  
D249,523 S \* 9/1978 Segales ..... D15/30  
D258,823 S \* 4/1981 Skyer et al. .... D15/30

D275,199 S \* 8/1984 Schmidt et al. .... D15/30  
D297,142 S \* 8/1988 Funabashi et al. .... D15/30  
D297,329 S \* 8/1988 Monehaie et al. .... D15/30  
D304,589 S \* 11/1989 Lanphere et al. .... D15/30  
D312,827 S \* 12/1990 Boddin et al. .... D15/30  
D317,011 S \* 5/1991 Boddin et al. .... D15/30  
D384,358 S \* 9/1997 Smith ..... D15/30  
D439,586 S \* 3/2001 Moehle et al. .... D15/33  
D497,920 S \* 11/2004 Antonetti ..... D15/30

\* cited by examiner

*Primary Examiner*—Stella Reid  
*Assistant Examiner*—Mark Goodwin

(57) **CLAIM**

The ornamental design for a tractor cab, as shown and described.

**DESCRIPTION**

FIG. 1 is a front side perspective view of a tractor cab showing our new design.

FIG. 2 is a top view of the tractor cab design of FIG. 1.

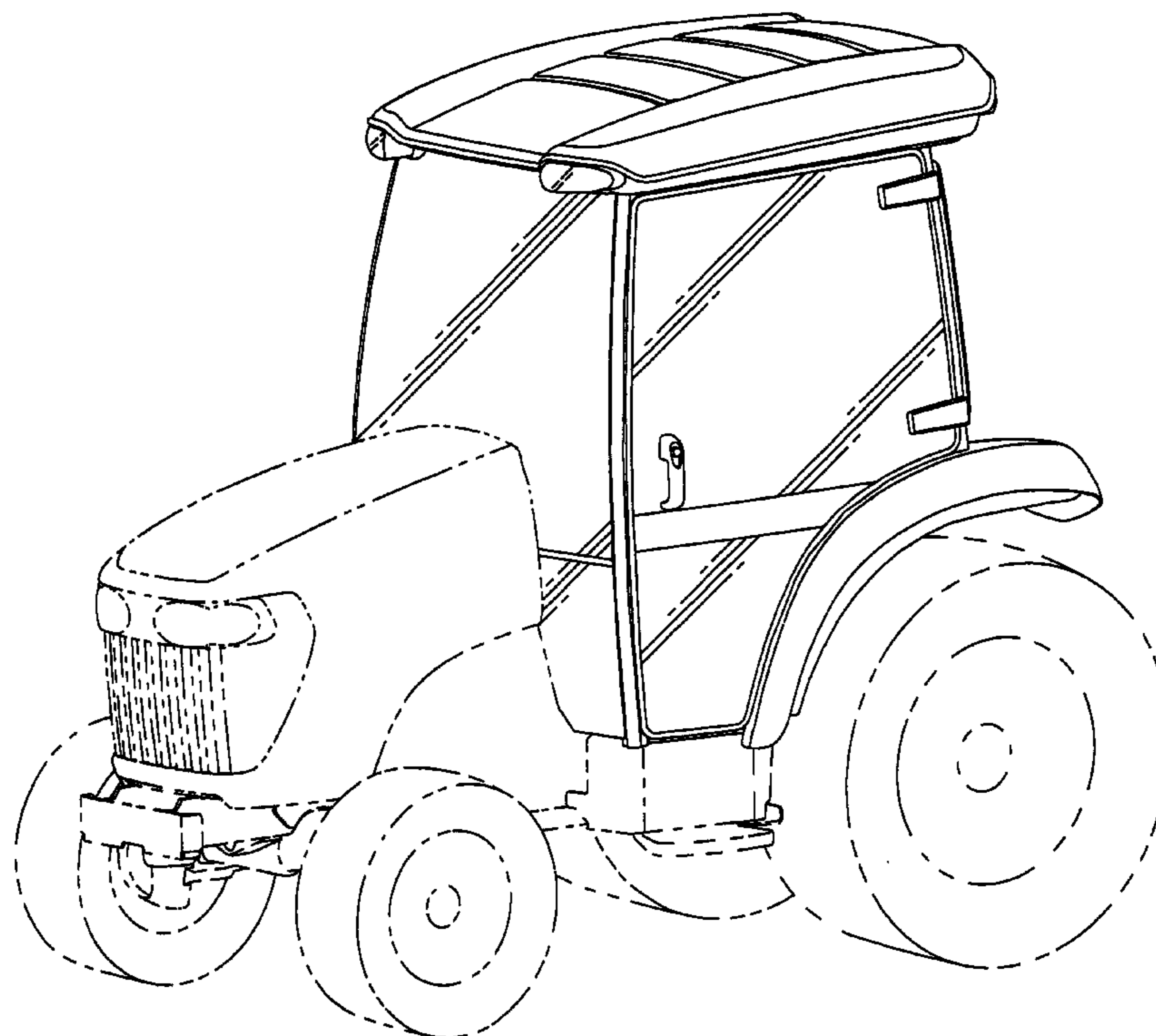
FIG. 3 is a right side view of the tractor cab design of FIG. 1.

FIG. 4 is a left side view of the tractor cab design of FIG. 1.

FIG. 5 is a front view of the tractor cab design of FIG. 1; and, FIG. 6 is a rear view of the tractor cab design of FIG. 1.

The broken line showing of the tractor in FIGS. 1-6 is for illustrative purposes only and forms no part of the claimed design.

**1 Claim, 6 Drawing Sheets**



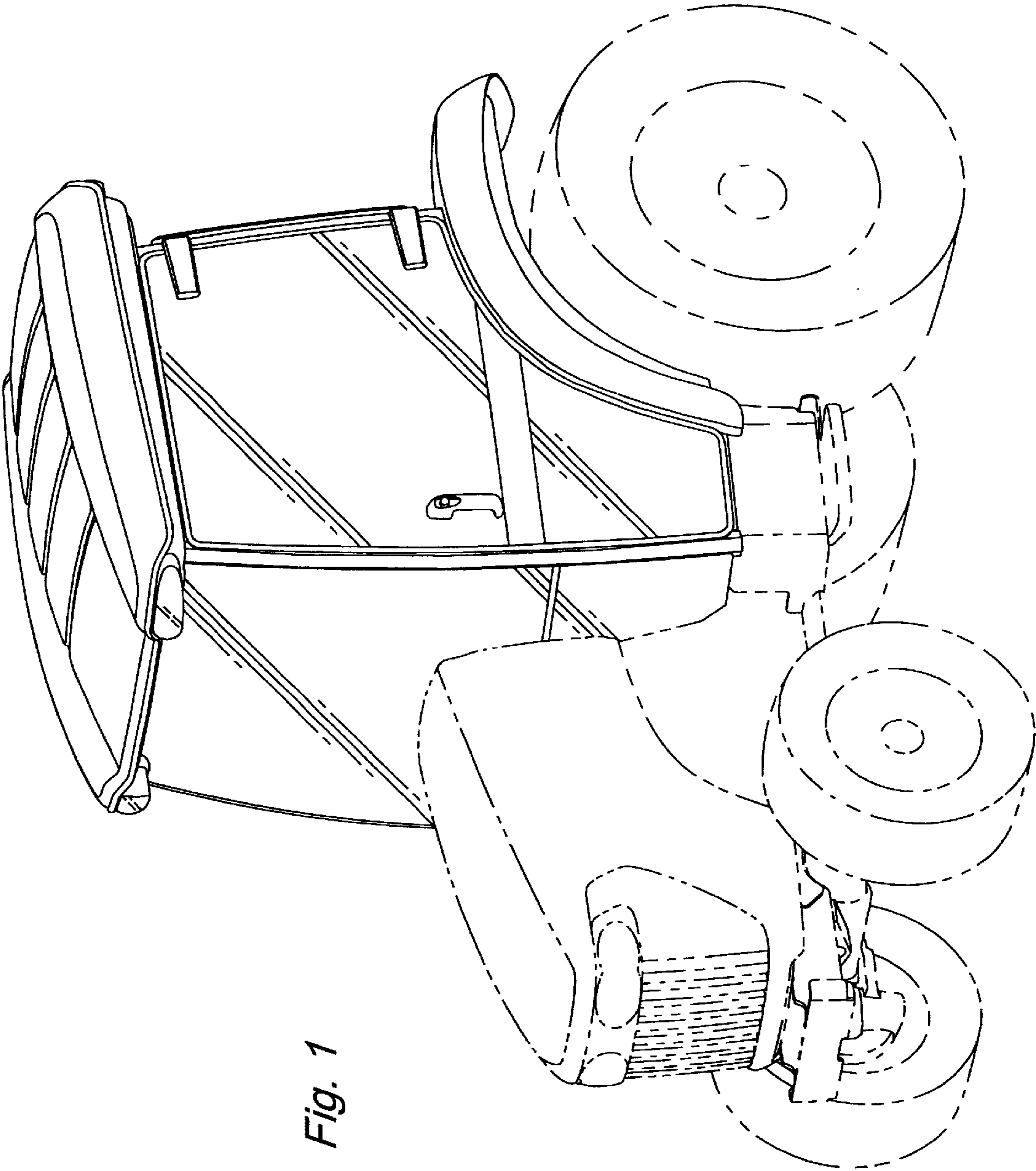


Fig. 1

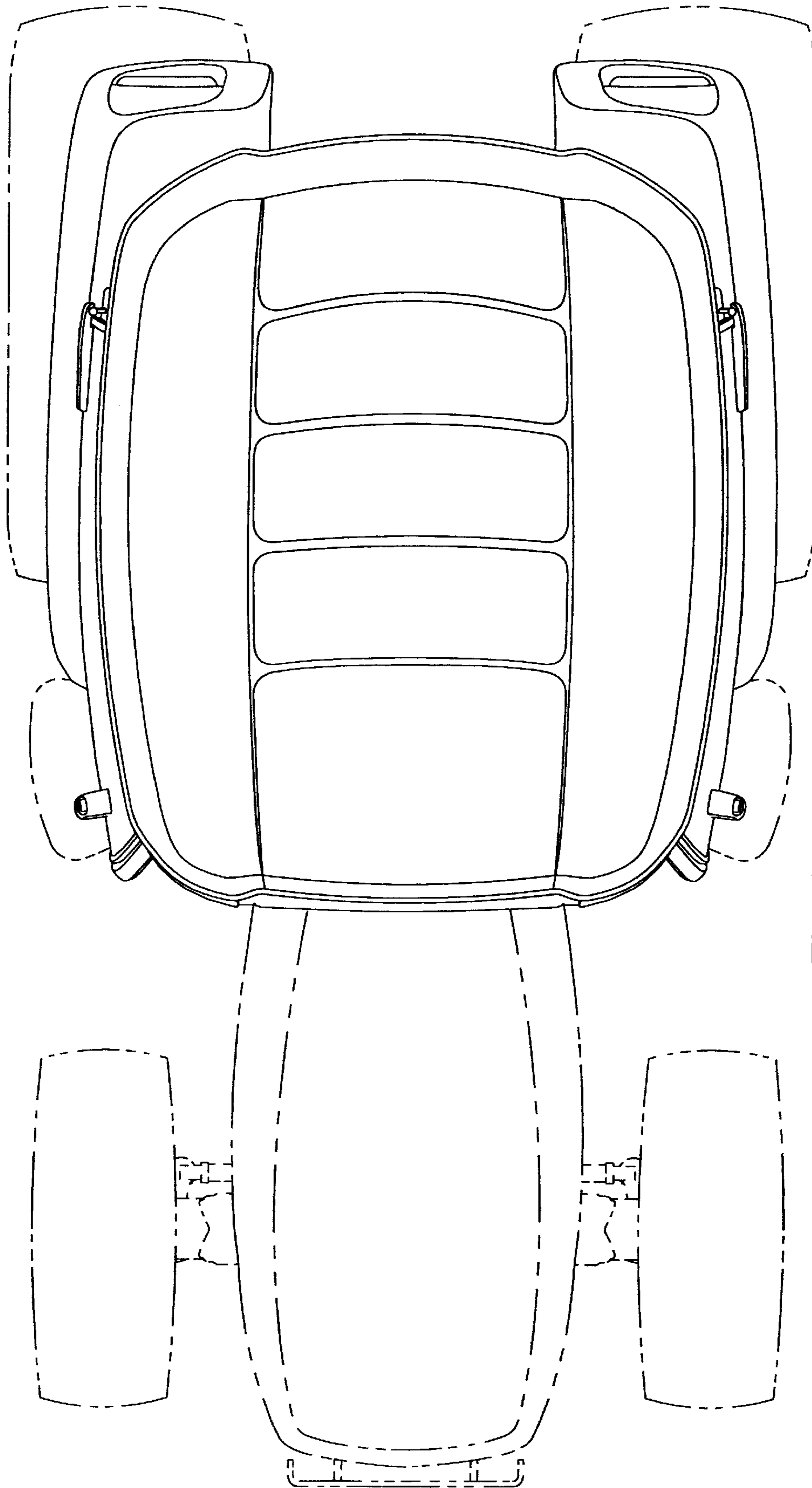
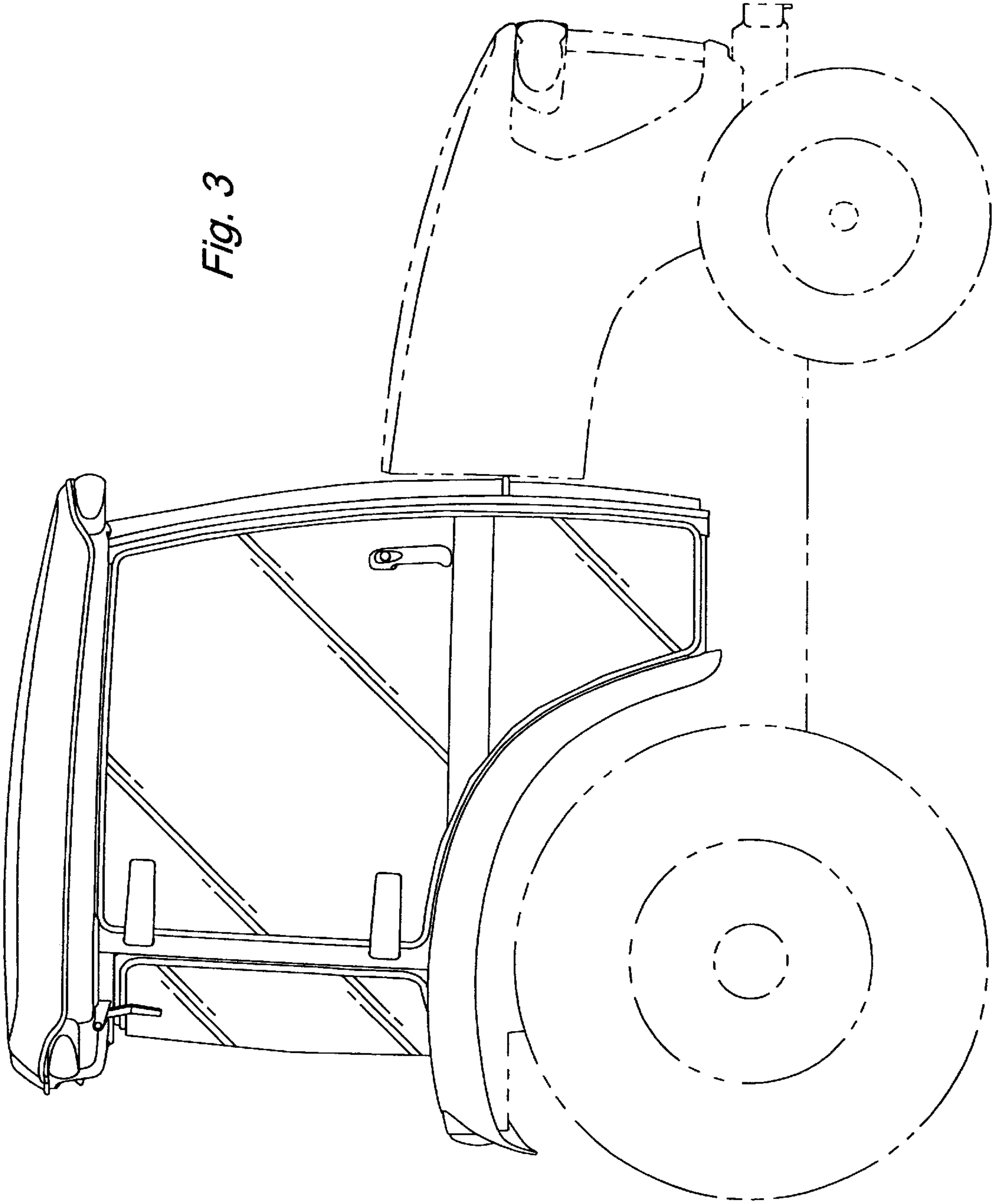


Fig. 2

Fig. 3



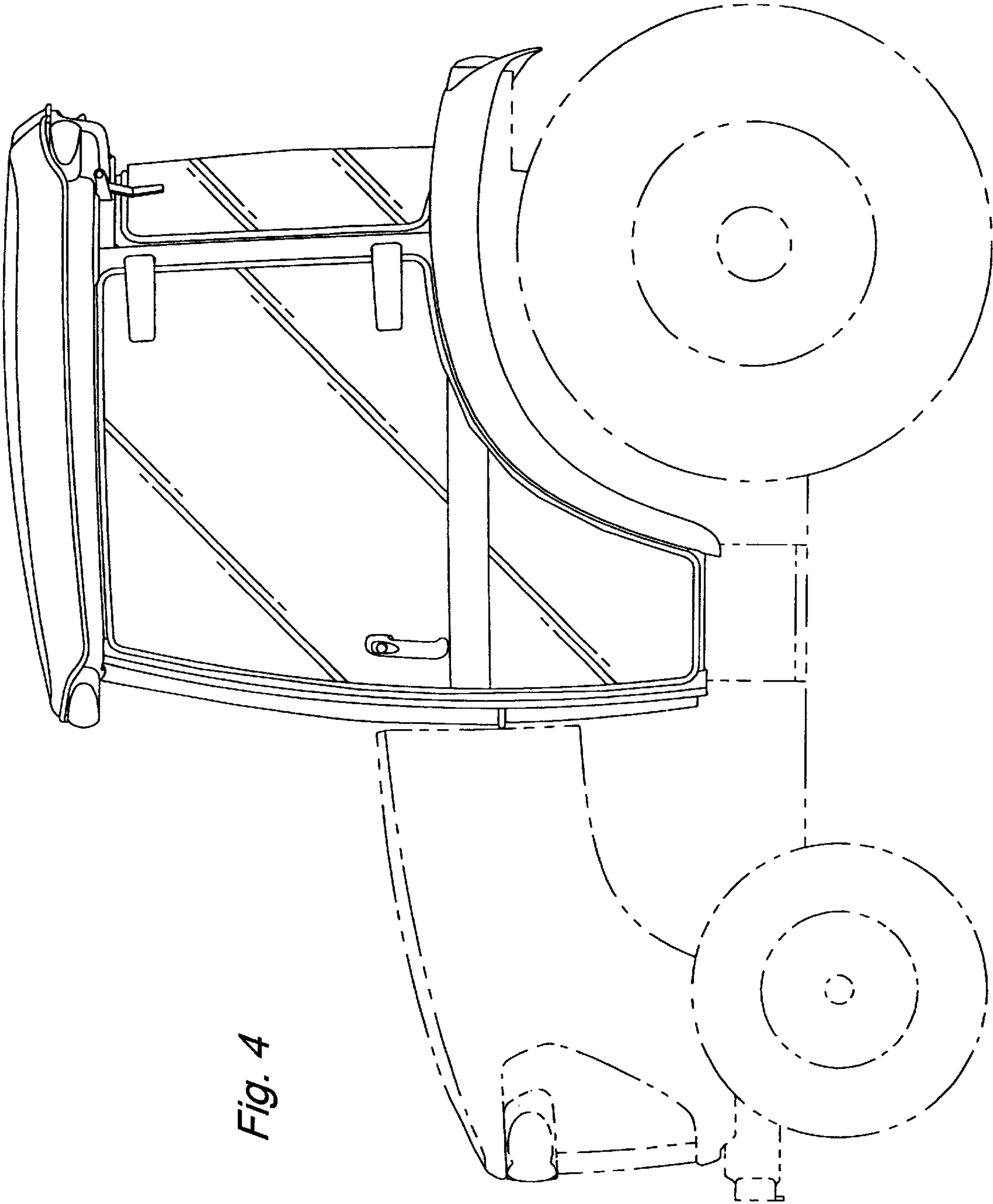


Fig. 4

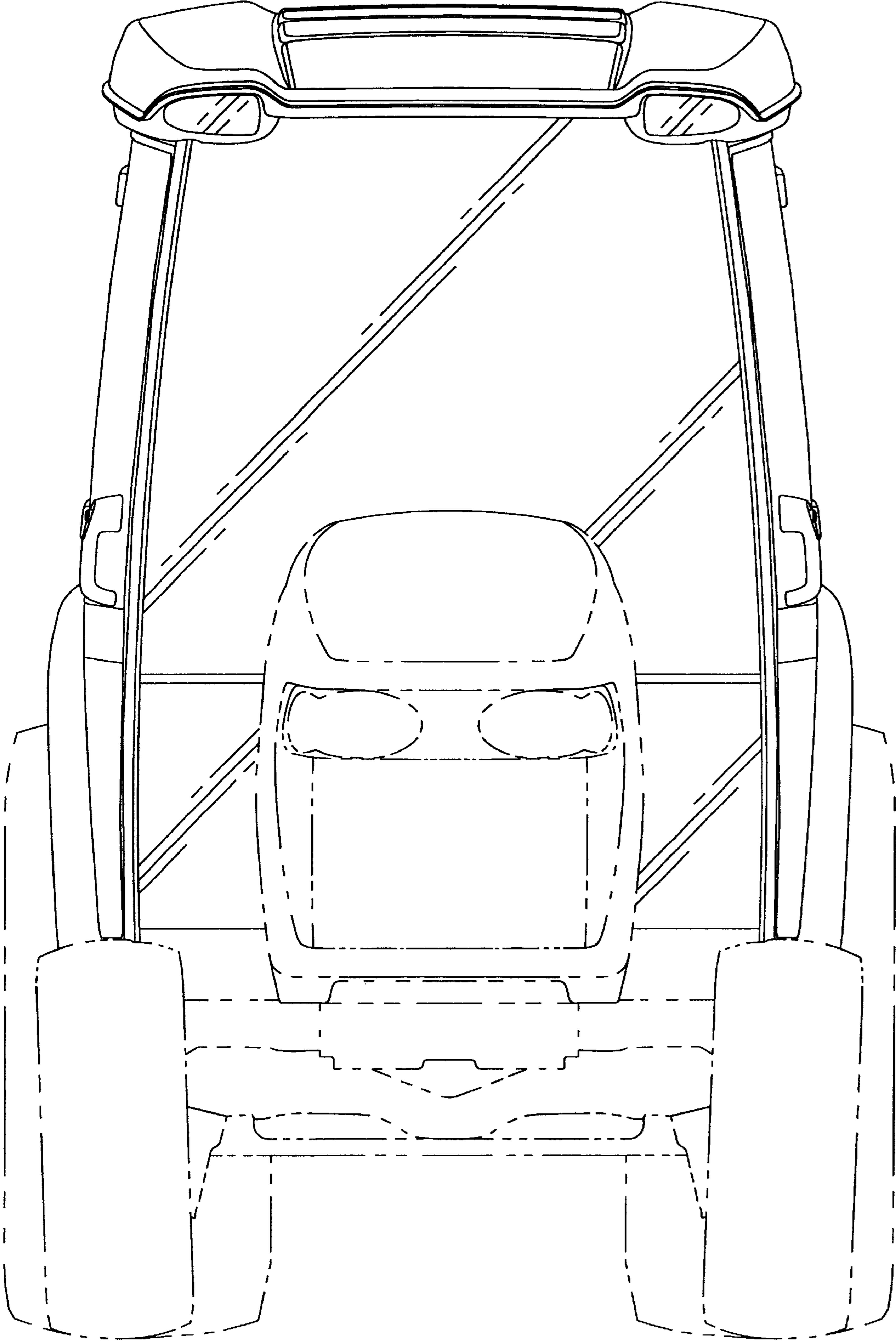


Fig. 5

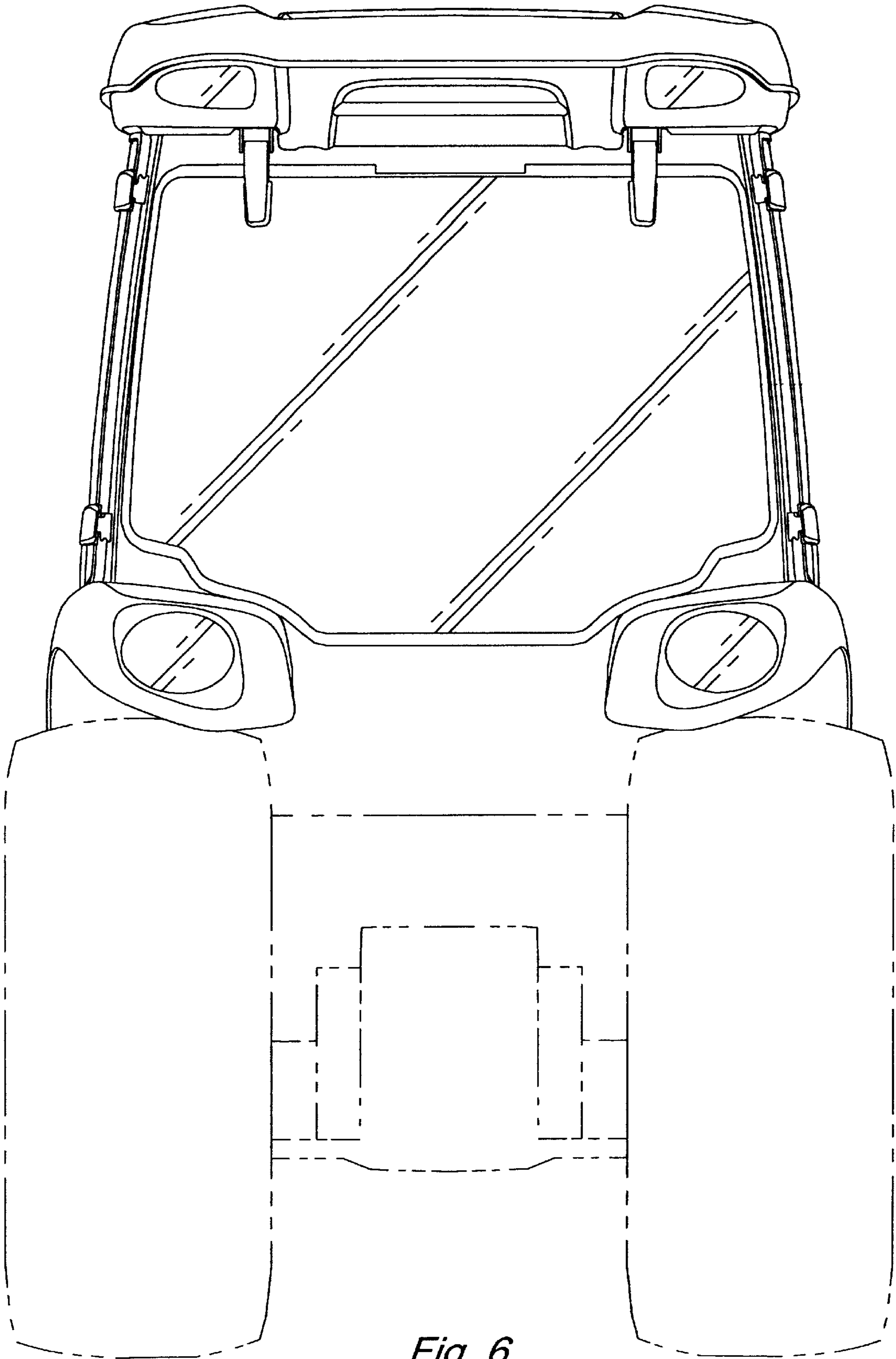


Fig. 6