

US00D531644S

(12) **United States Design Patent** (10) **Patent No.:** **US D531,644 S**  
**Smith et al.** (45) **Date of Patent:** **\*\* Nov. 7, 2006**

(54) **AIR COMPRESSOR**

(75) Inventors: **Timothy C. Smith**, Jackson, TN (US);  
**John E. Buck**, Cockeysville, MD (US);  
**Mark A. Etter**, Humboldt, TN (US);  
**Robert P. Welsh**, Hunt Valley, MD (US)

(73) Assignee: **Black & Decker Inc.**, Newark, DE (US)

(\*\*) Term: **14 Years**

(21) Appl. No.: **29/239,703**

(22) Filed: **Oct. 3, 2005**

(51) **LOC (8) Cl.** ..... **15-02**

(52) **U.S. Cl.** ..... **D15/9**

(58) **Field of Classification Search** ..... D15/7-9;  
D23/232, 231; 417/359, 415-416, 410.1,  
417/321, 265, 405

See application file for complete search history.

(56) **References Cited**

**U.S. PATENT DOCUMENTS**

2,804,259 A	8/1957	Ralston	
5,040,563 A	8/1991	Wood	
5,054,740 A	10/1991	Wheeler	
D327,891 S	7/1992	Morgan	
5,137,434 A	8/1992	Wheeler et al.	
5,217,202 A	6/1993	Phillips	
5,343,777 A	9/1994	Wood et al.	
D352,292 S	11/1994	Morgan	
D352,293 S	11/1994	Morgan	
D352,294 S	11/1994	Morgan	
D352,295 S	11/1994	Morgan	
5,584,675 A	12/1996	Steurer et al.	
5,681,151 A	10/1997	Wood	
6,183,211 B1	2/2001	Wood	
6,213,000 B1	4/2001	Wood	
D444,796 S *	7/2001	Morgan	..... D15/9
6,349,630 B1	2/2002	Wood	
6,375,437 B1	4/2002	Nolan	
D461,196 S	8/2002	Buck	
6,468,048 B1	10/2002	Burkholder et al.	

D471,918 S	3/2003	Buck
6,532,990 B1	3/2003	Wood et al.
6,532,991 B1	3/2003	Wood et al.
6,558,135 B1	5/2003	Wood
6,582,201 B1	6/2003	Lucchi
D479,248 S	9/2003	Gist et al.
6,655,925 B1	12/2003	Robenalt et al.
D488,485 S	4/2004	Leasure et al.
D489,733 S	5/2004	Leasure et al.
D491,197 S	6/2004	Stilwell et al.
6,742,995 B1	6/2004	Wood et al.
D498,244 S	11/2004	Chen
D499,117 S	11/2004	Leasure et al.
D499,118 S	11/2004	Leasure et al.

(Continued)

**FOREIGN PATENT DOCUMENTS**

DE	1 503 676	7/1966
DE	86 24 842.1	9/1986
DE	92 11 451.2	8/1992
DE	197 08 191 A1	2/1997
DE	297 21 504 U1	12/1997
DE	299 05 869 U1	3/1999
DE	101 47 400 A 1	9/2001
WO	WO 2004/033904 A2	4/2004

*Primary Examiner*—Ralf Seifert  
(74) *Attorney, Agent, or Firm*—Scott B. Markow

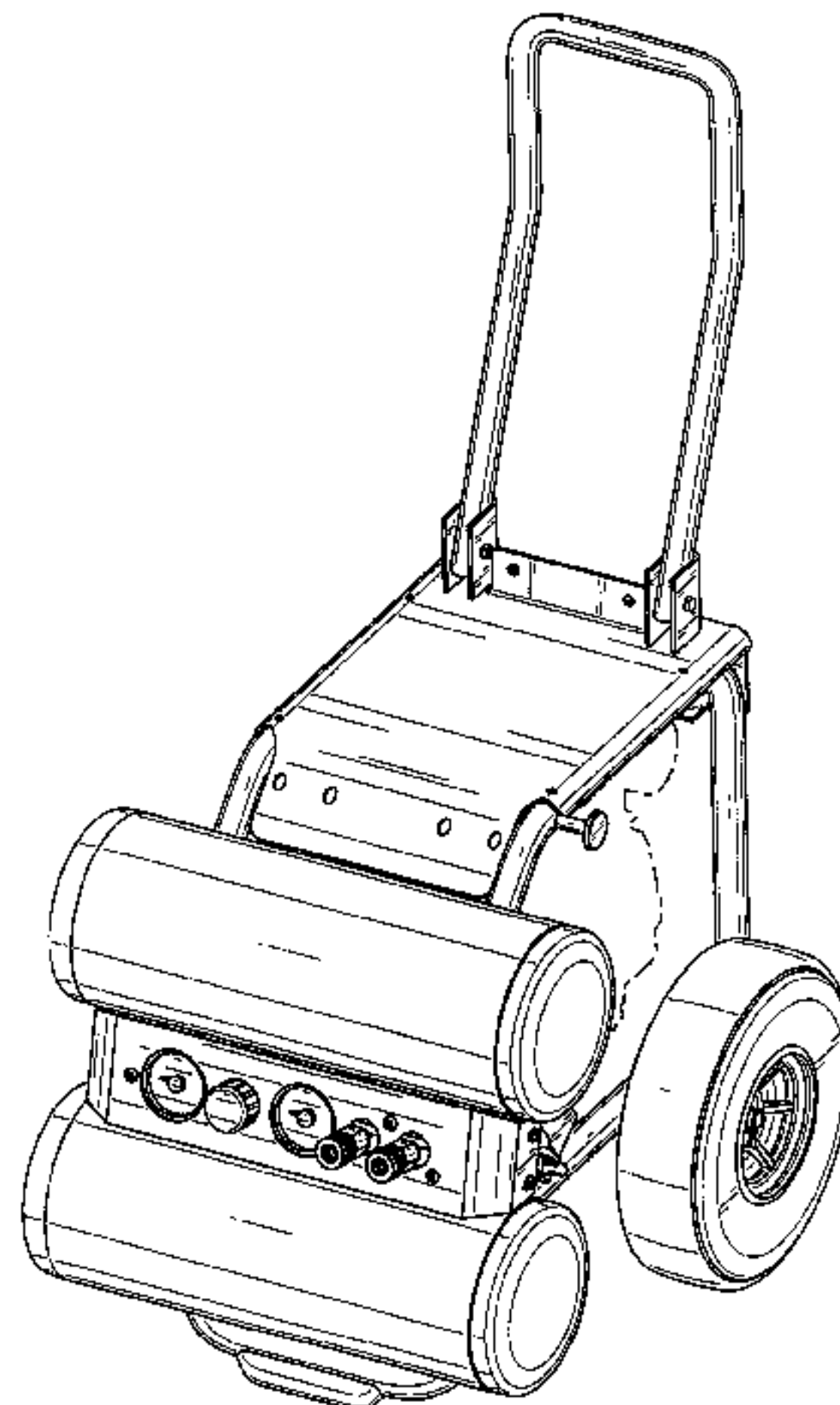
(57) **CLAIM**

The ornamental design for an air compressor, as shown and described.

**DESCRIPTION**

FIG. 1 is a left/front perspective view of the air compressor. FIG. 2 is a front elevational view thereof. FIG. 3 is a rear elevational view thereof. FIG. 4 is a right side elevational view thereof. FIG. 5 is a left side elevational view thereof. FIG. 6 is a top view thereof; and, FIG. 7 is a bottom view thereof. The dashed lines and the areas within the dashed lines form no part of the claimed ornamental design.

**1 Claim, 7 Drawing Sheets**



# US D531,644 S

Page 2

---

## U.S. PATENT DOCUMENTS

D499,429 S	12/2004	Leasure		D508,497 S	8/2005	Leasure et al.	
D499,433 S	12/2004	Leasure		6,923,364 B1	8/2005	Burkholder et al.	
D500,050 S	12/2004	Lucchi		6,923,627 B1	8/2005	Wood et al.	
D500,051 S	* 12/2004	Lucchi	..... D15/9	6,942,464 B1	9/2005	Brashears et al.	
D500,052 S	12/2004	Lucchi		D513,619 S	* 1/2006	Hernandez et al.	..... D15/9
D502,810 S	3/2005	Morgan et al.		D515,591 S	* 2/2006	Buck	..... D15/9
6,892,921 B1	5/2005	Belville		D516,092 S	* 2/2006	Buck	..... D15/9

\* cited by examiner

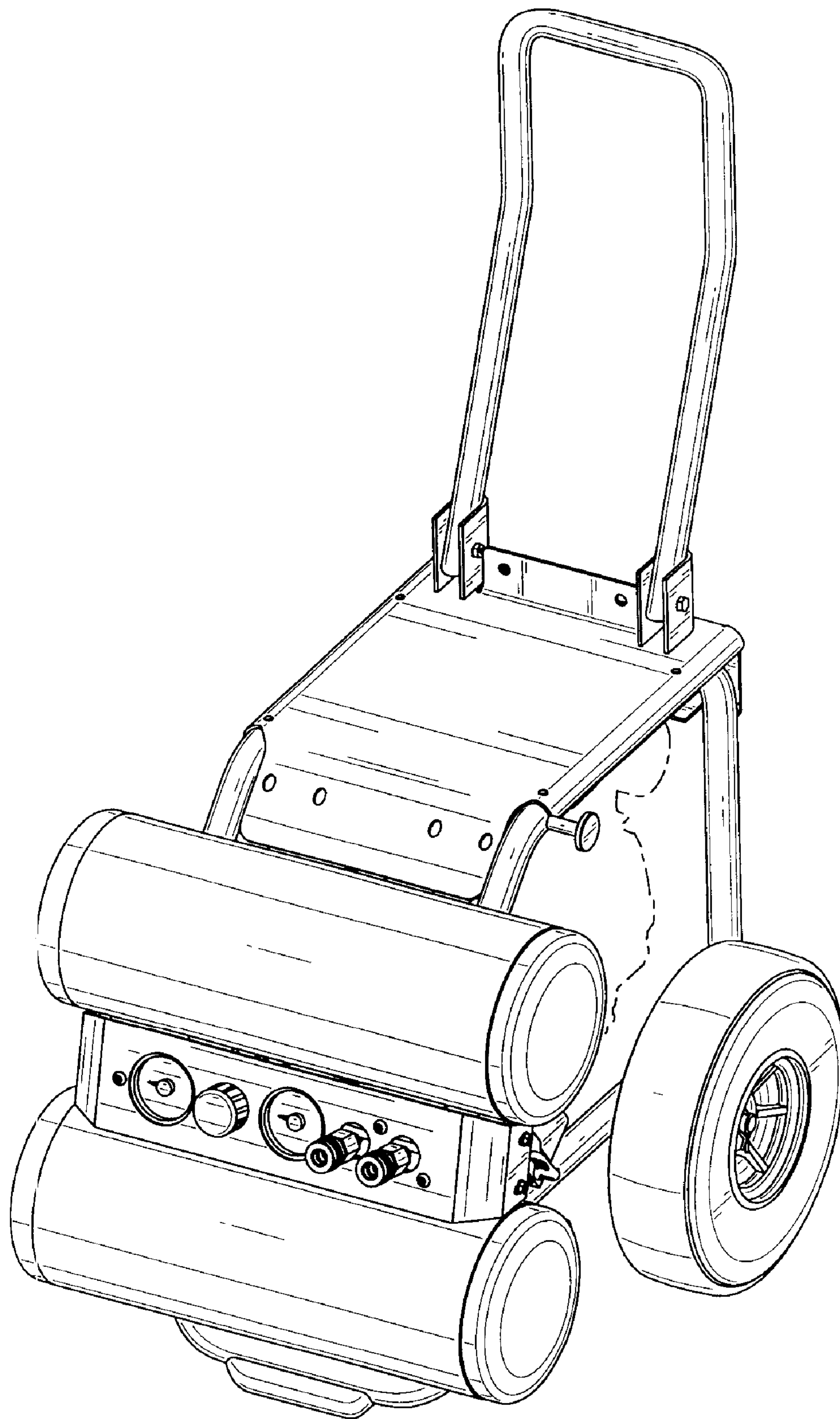


FIG. 1

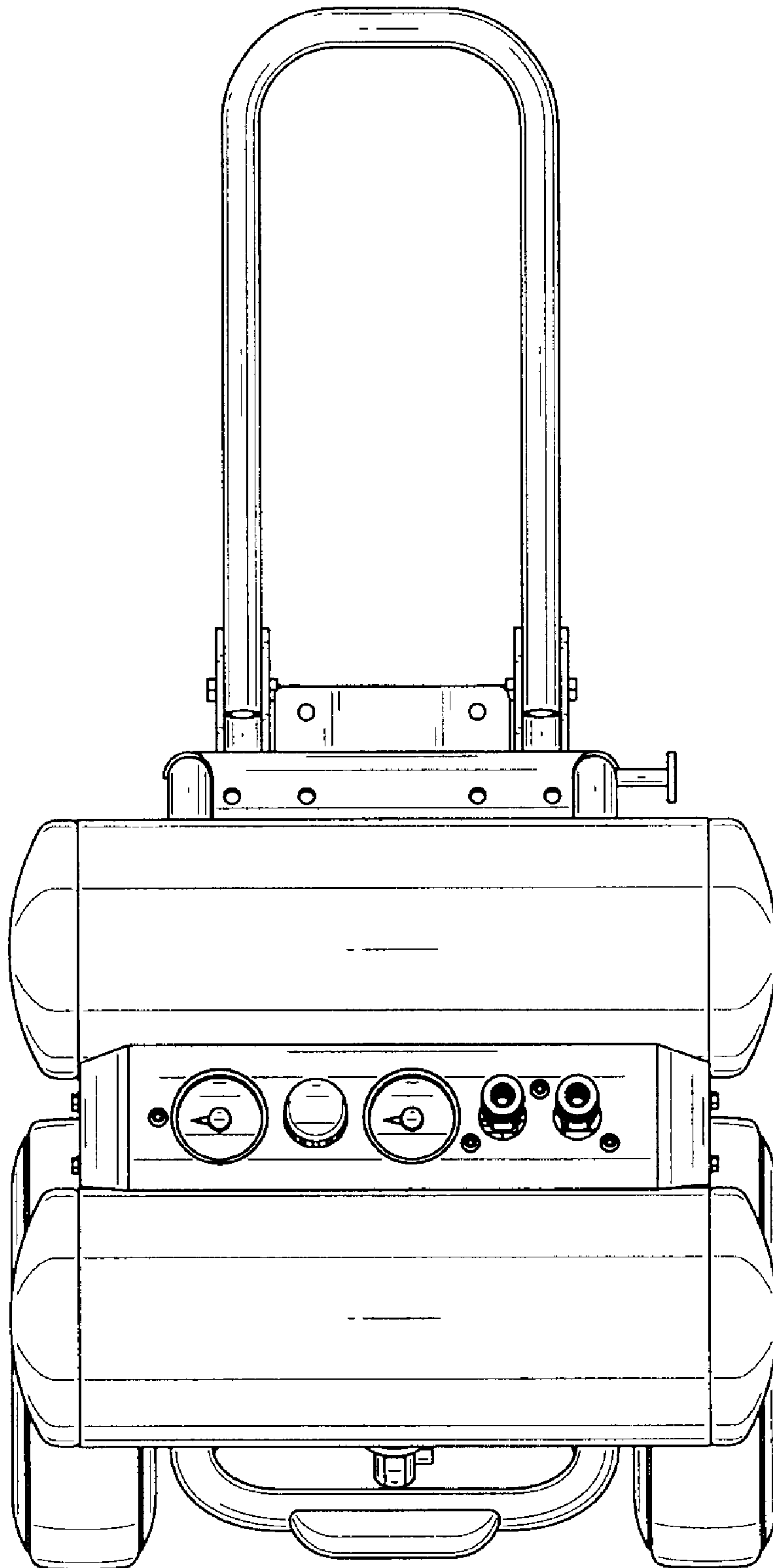


FIG. 2

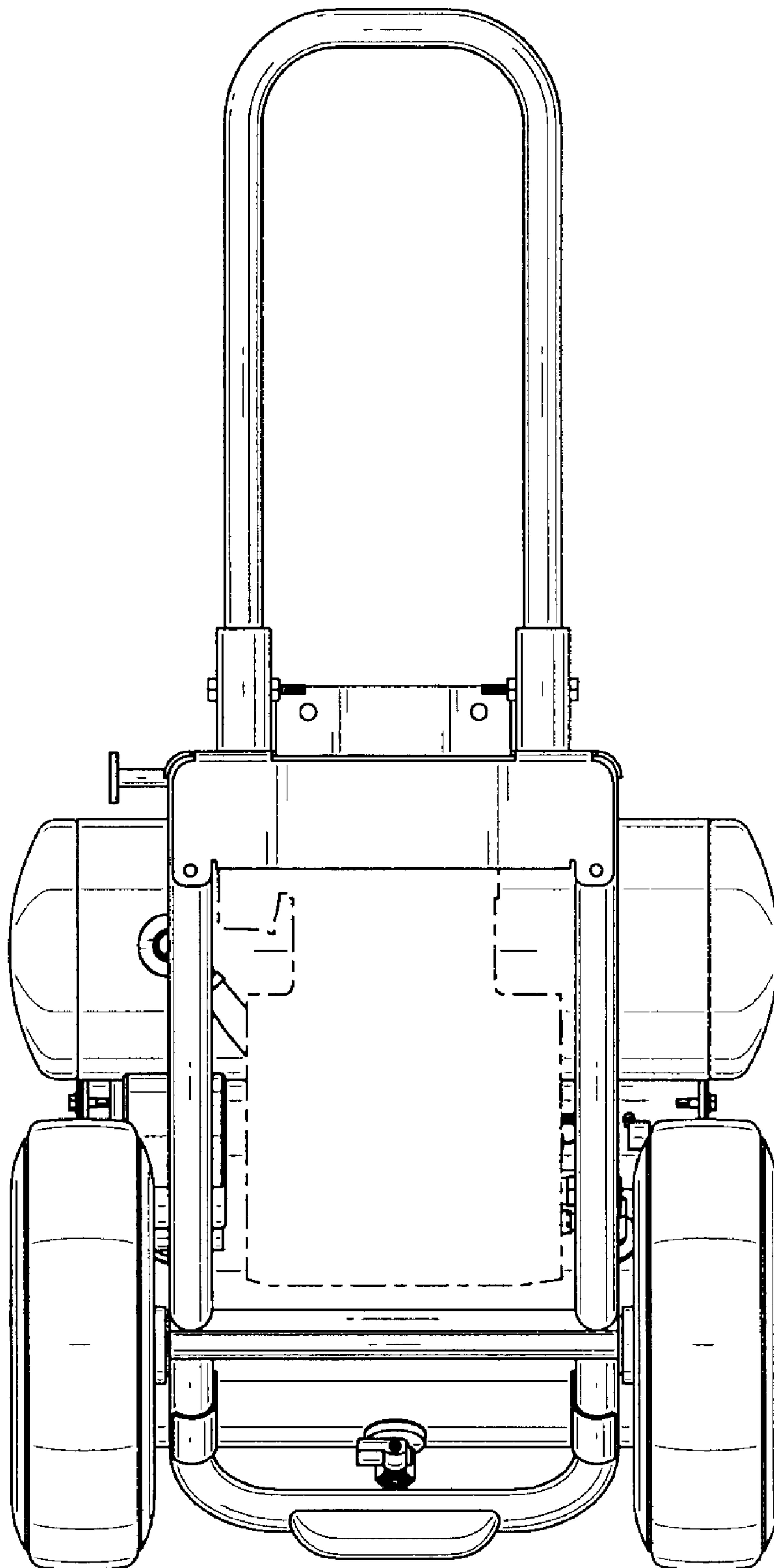


FIG. 3



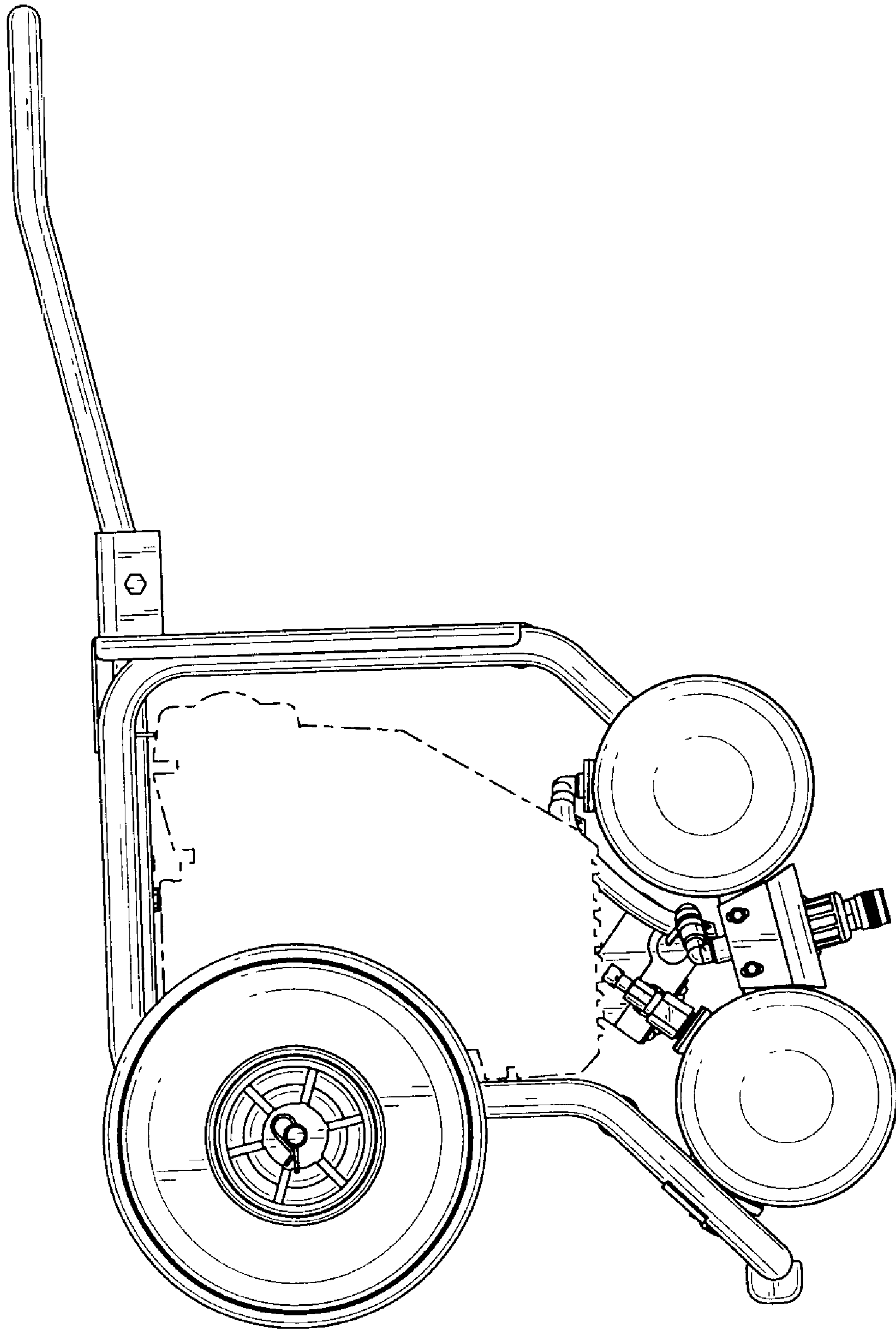


FIG. 4

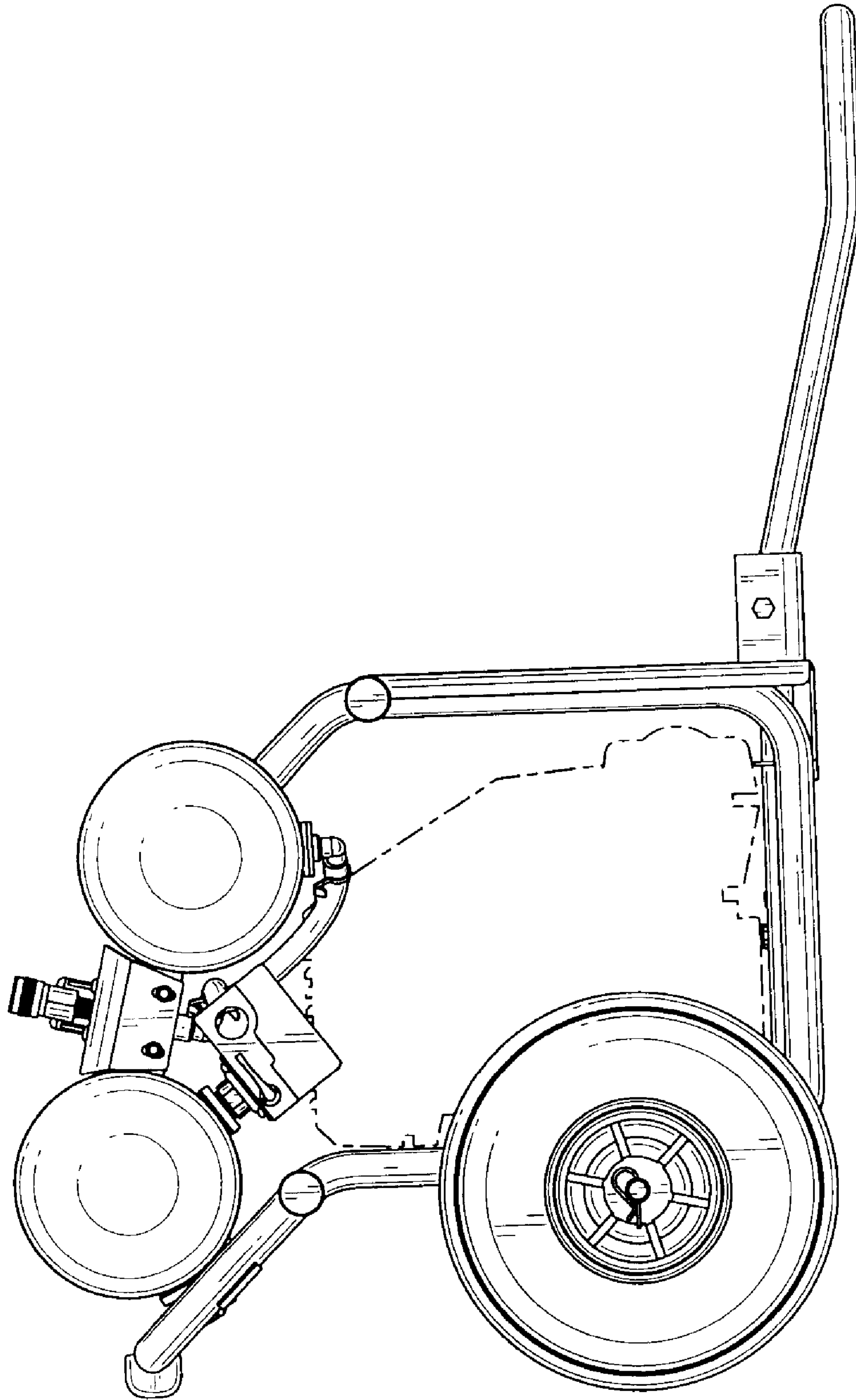


FIG. 5

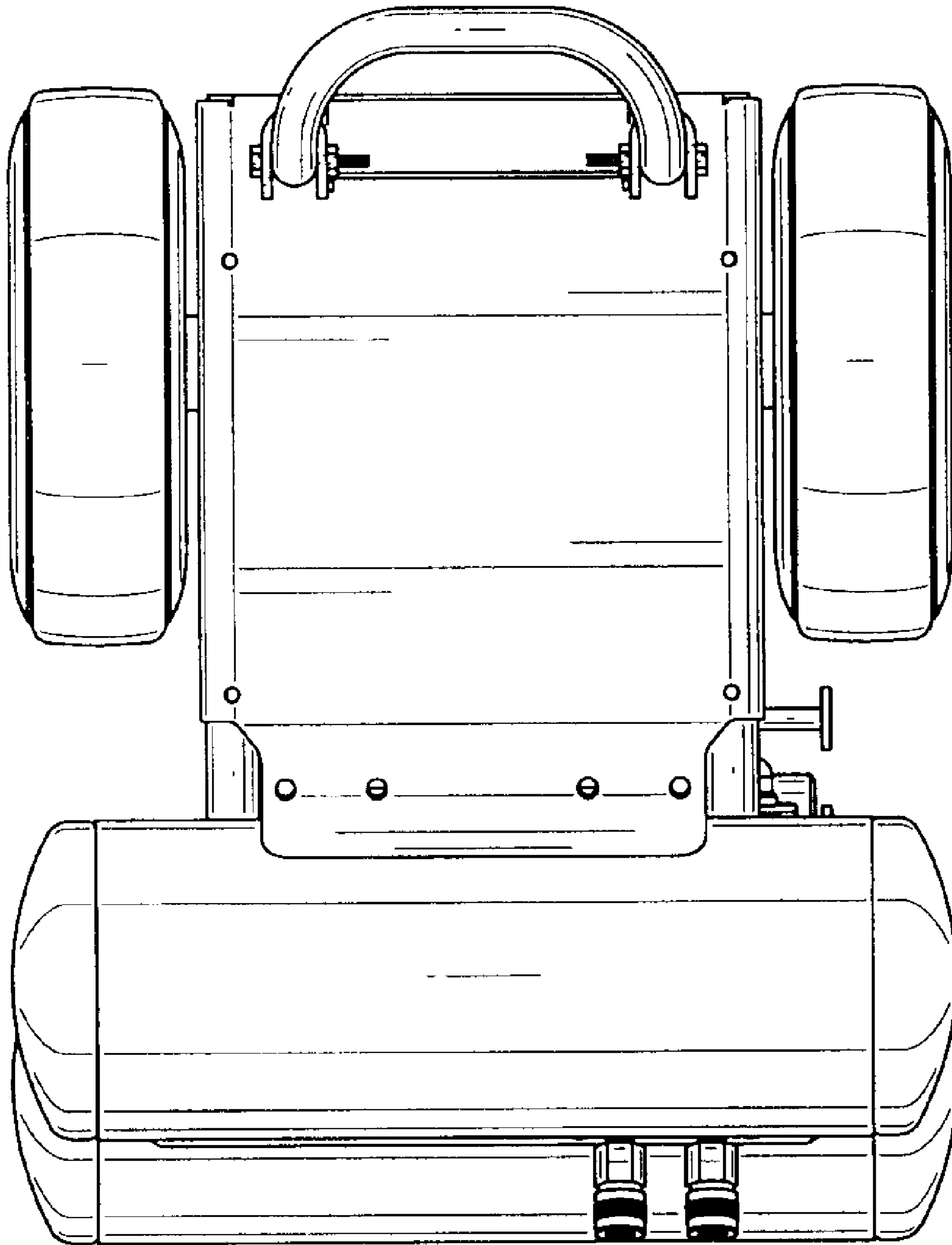


FIG. 6



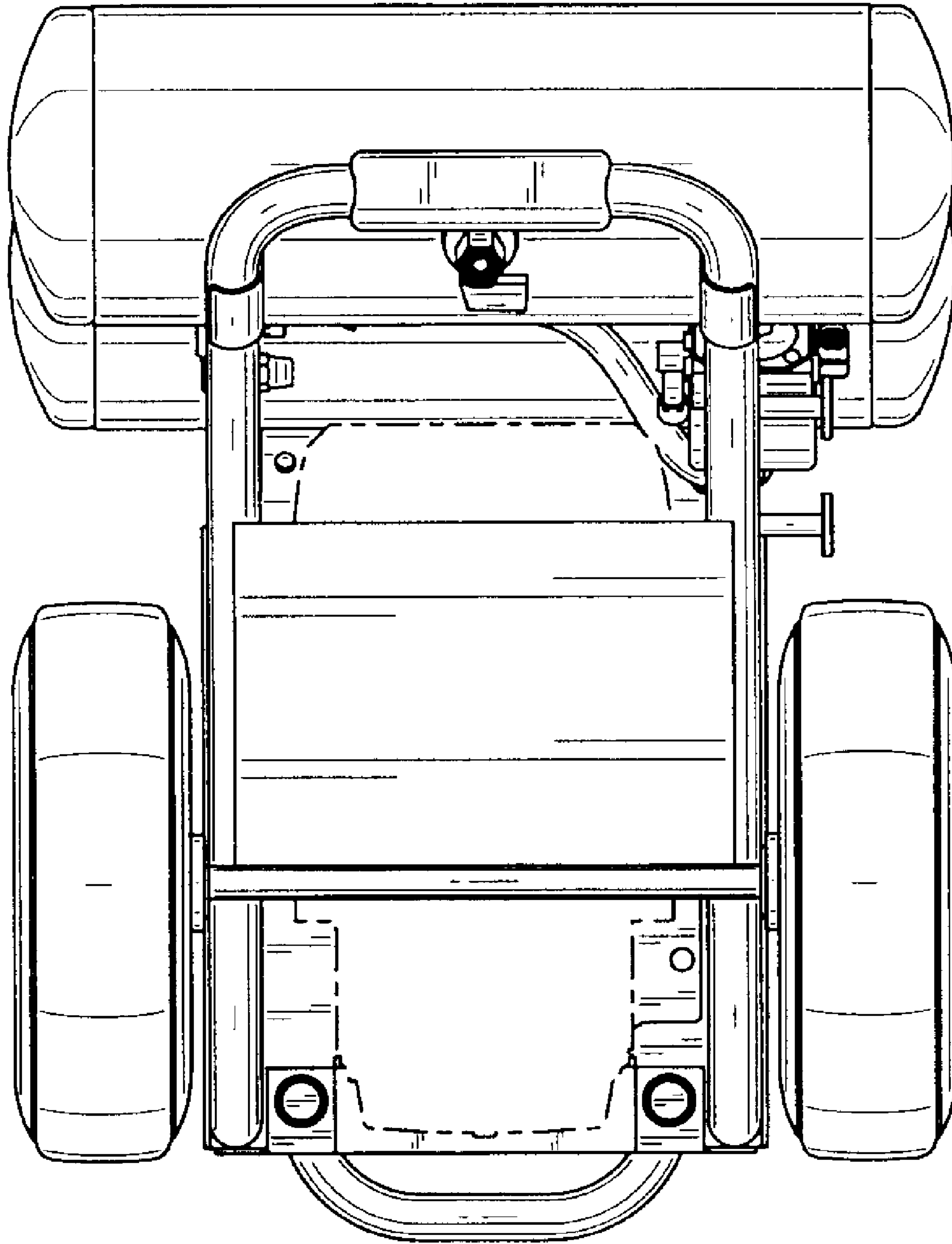


FIG. 7