



US00D531643S

(12) **United States Design Patent**
Tischler et al.

(10) **Patent No.:** **US D531,643 S**
(45) **Date of Patent:** **** Nov. 7, 2006**

(54) **HIGH PRESSURE CYLINDER ASSEMBLY FOR PUMPS**

(75) Inventors: **Dieter A. Tischler**, Carl Junction, MO (US); **David C. Wands**, Columbus, KS (US)

(73) Assignee: **KMT Waterjet Systems, Inc.**, Baxter Springs, KS (US)

(**) Term: **14 Years**

(21) Appl. No.: **29/228,924**

(22) Filed: **Apr. 29, 2005**

(51) **LOC (8) Cl.** **15-02**

(52) **U.S. Cl.** **D15/7**

(58) **Field of Classification Search** D15/7-9;
D23/232, 231; 417/359, 415-416, 410.1,
417/321, 265, 405

See application file for complete search history.

(56) **References Cited**

U.S. PATENT DOCUMENTS

D356,573 S	*	3/1995	Makino	D15/7
D361,574 S	*	8/1995	Makino	D15/7
D363,073 S	*	10/1995	Makino	D15/7
D363,493 S	*	10/1995	Makino	D15/7

* cited by examiner

Primary Examiner—Ralf Seifert

(74) *Attorney, Agent, or Firm*—Michael Best & Friedrich LLP

(57) **CLAIM**

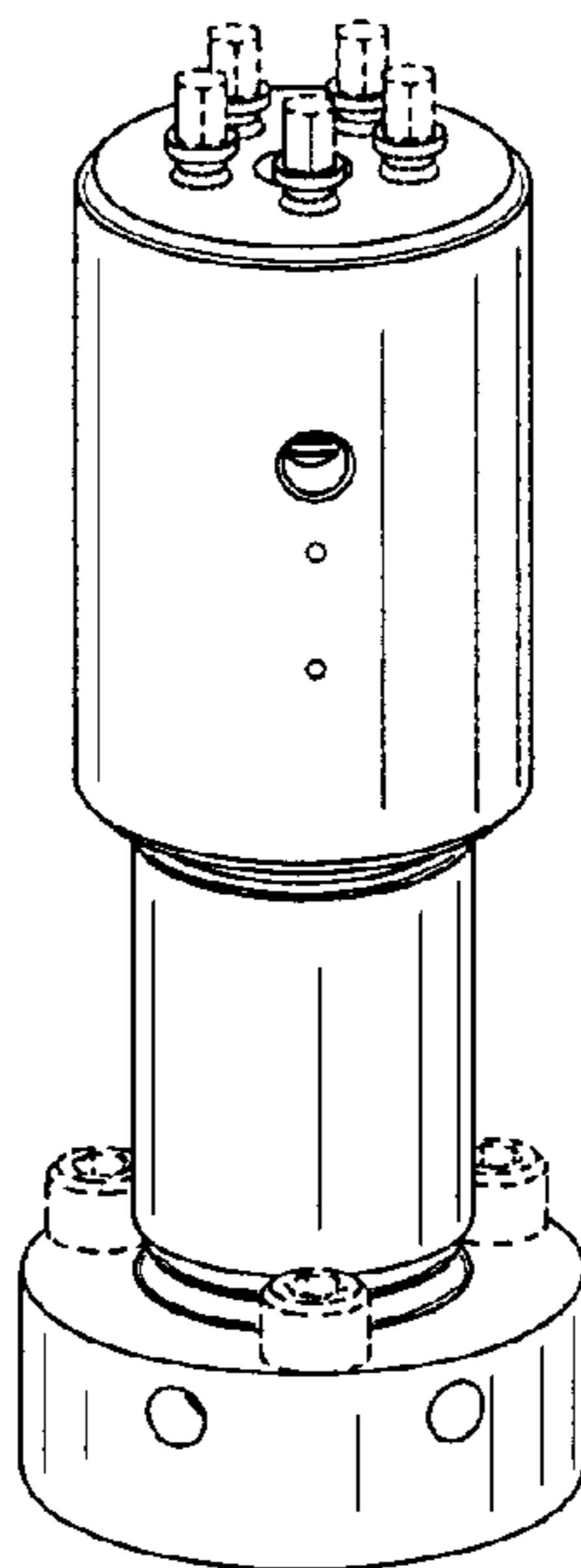
We claim the ornamental design for a high pressure cylinder assembly for pumps, as shown and described.

DESCRIPTION

FIG. 1 is a perspective view of a high pressure cylinder assembly for pumps showing our new design; FIG. 2 is a rear view of FIG. 1; FIG. 3 is a front view of FIG. 1; FIG. 4 is a right side view of FIG. 1; FIG. 5 is a left side view of FIG. 1; FIG. 6 is a top view of FIG. 1; FIG. 7 is a bottom view of FIG. 1; FIG. 8 is a perspective view of the high pressure cylinder assembly of FIG. 1 shown mounted with additional high pressure cylinder assemblies to a cover plate of a pump, in which the cover plate of a pump and the additional high pressure assemblies shown in phantom lines are for illustrative purposes, and are not intended to limit the claimed design to any mounting placement configuration or any specific number of high pressure cylinder assemblies; and, FIG. 9 is a perspective view of the high pressure cylinder assembly of FIG. 1 shown mounted with additional high pressure cylinder assemblies to a cover plate of a pump, in which the cover plate of a pump and the additional high pressure assemblies shown in phantom lines are for illustrative purposes, and are not intended to limit the claimed design to any mounting placement configuration or any specific number of high pressure cylinder assemblies.

The structural features depicted by means of phantom lines in the drawing figures have been shown for illustrative purposes and form no part of the claimed design.

1 Claim, 5 Drawing Sheets



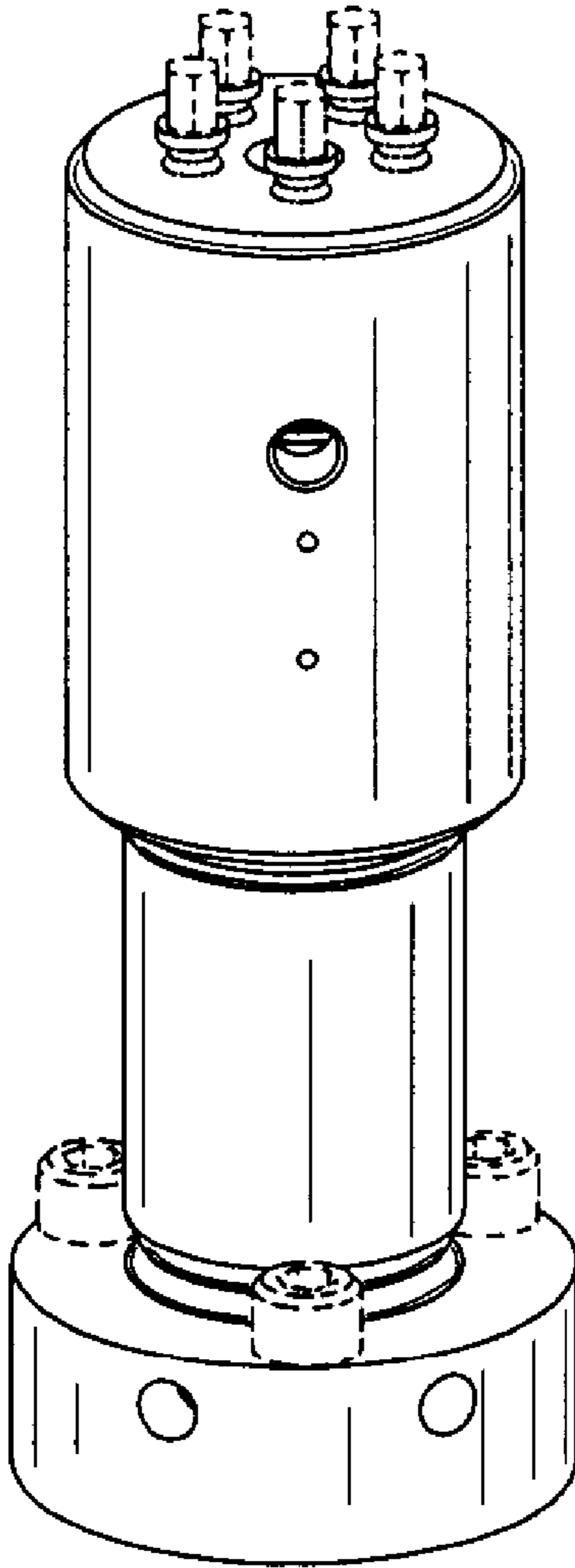


FIG. 1

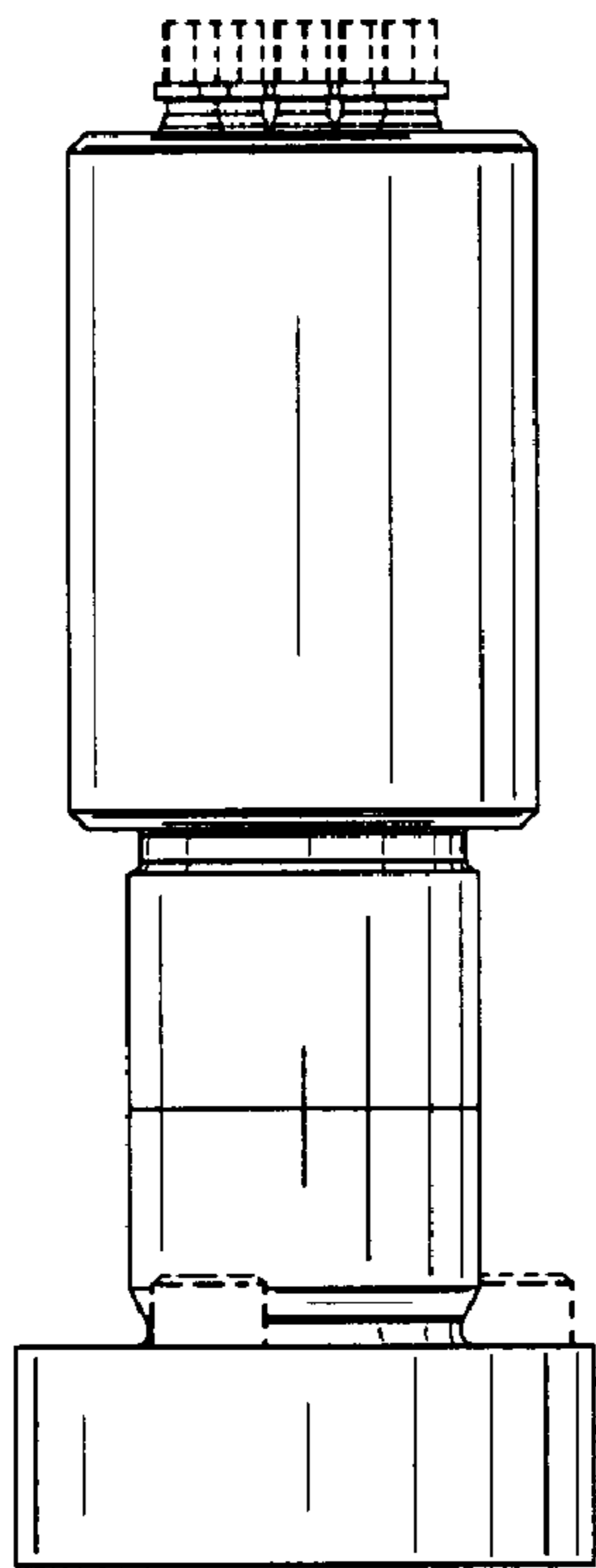


FIG. 2

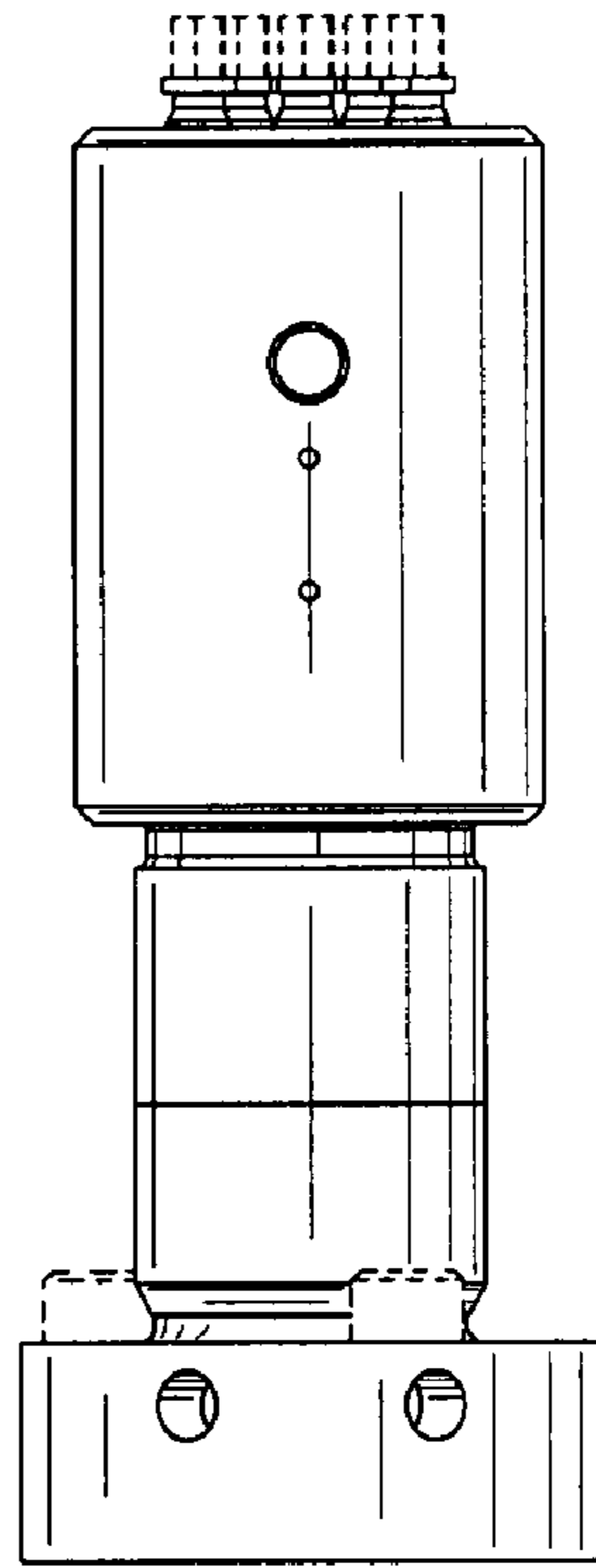


FIG. 3

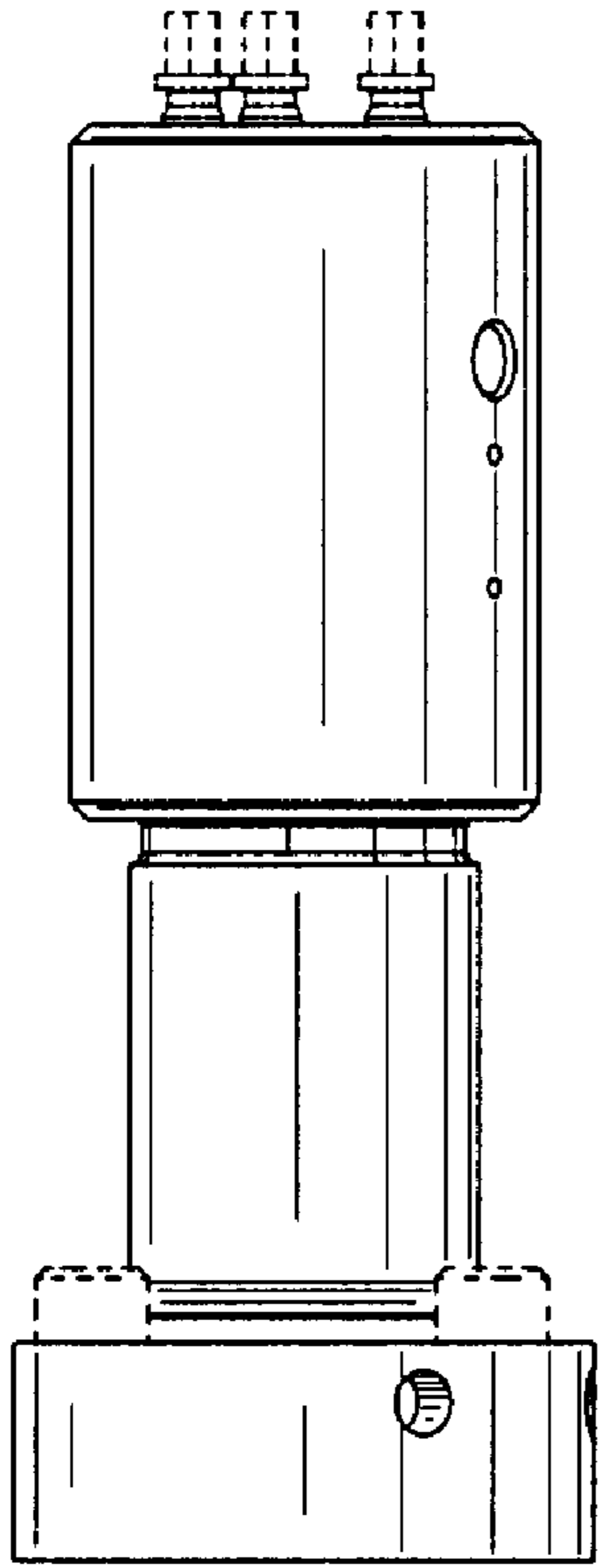


FIG. 4

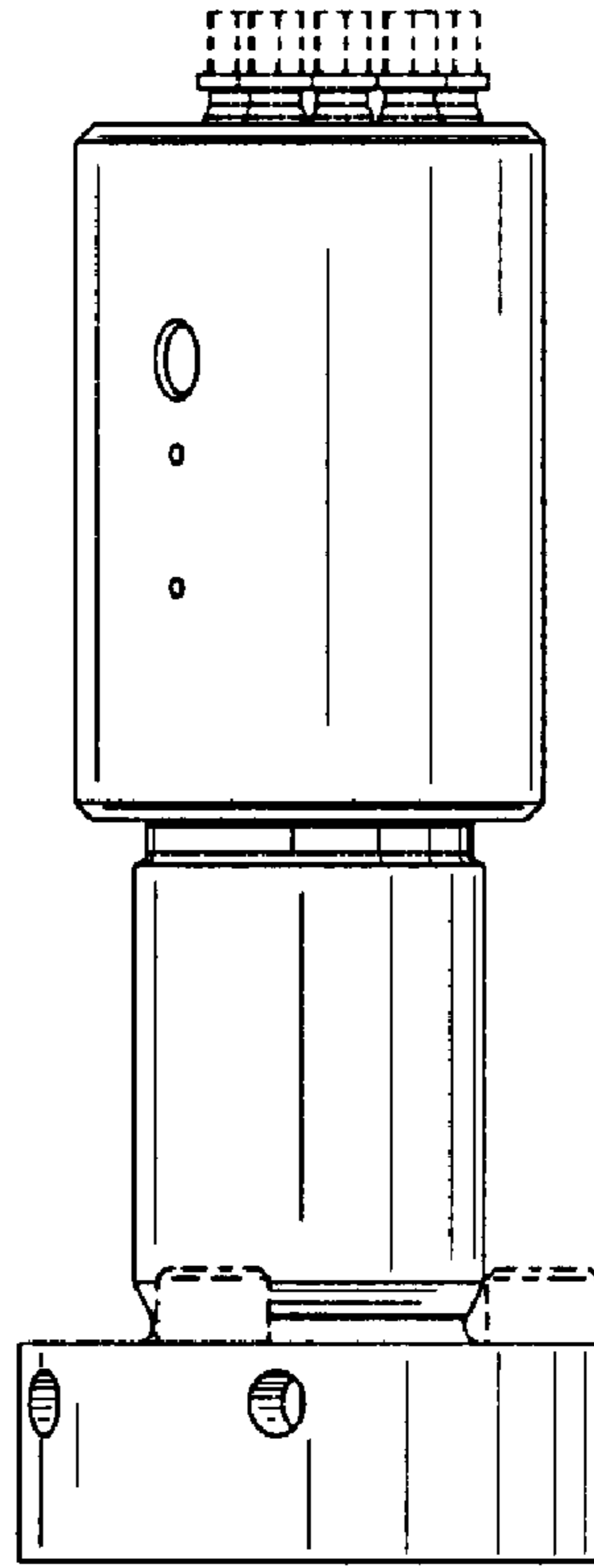


FIG. 5

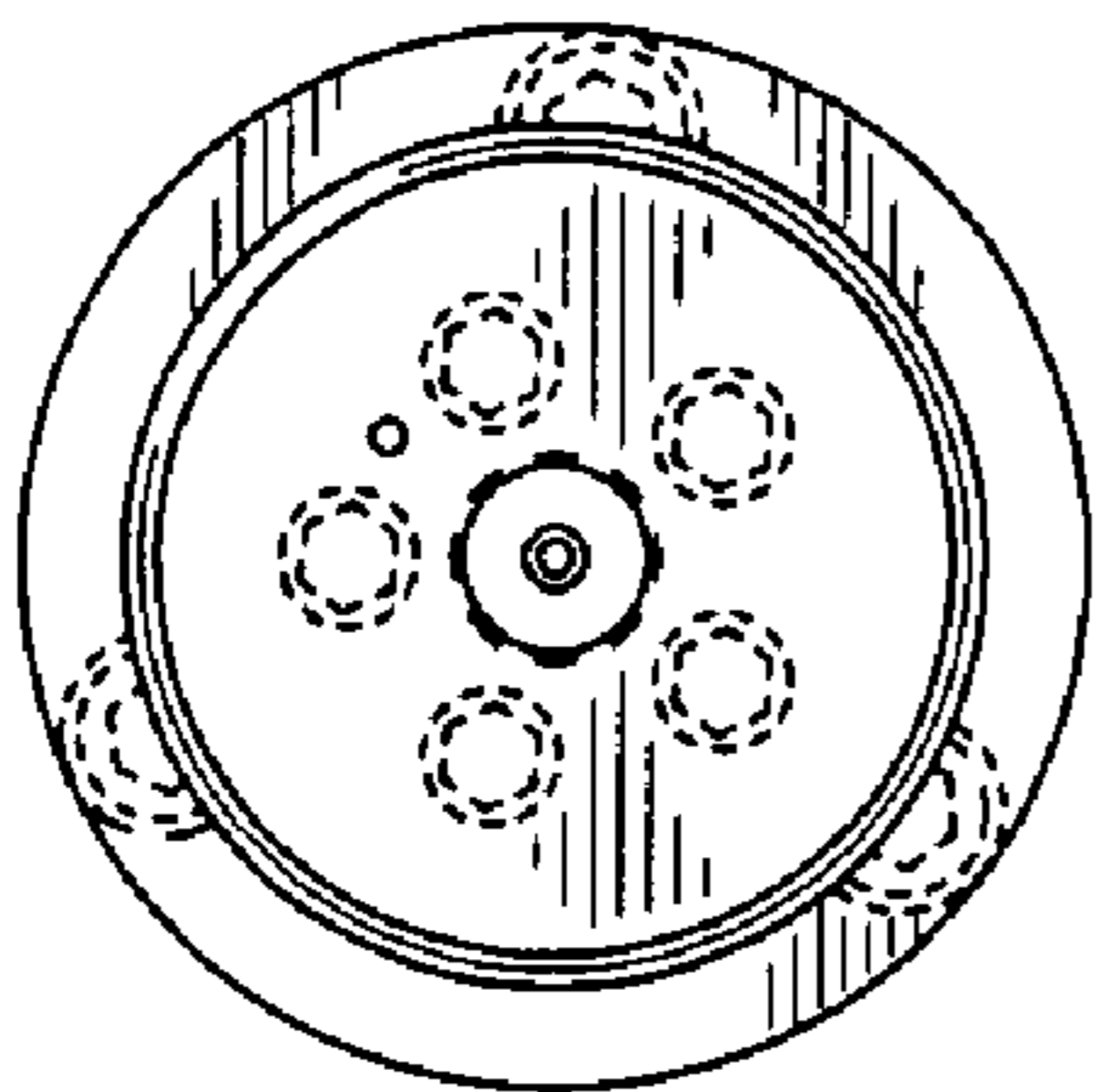


FIG. 6

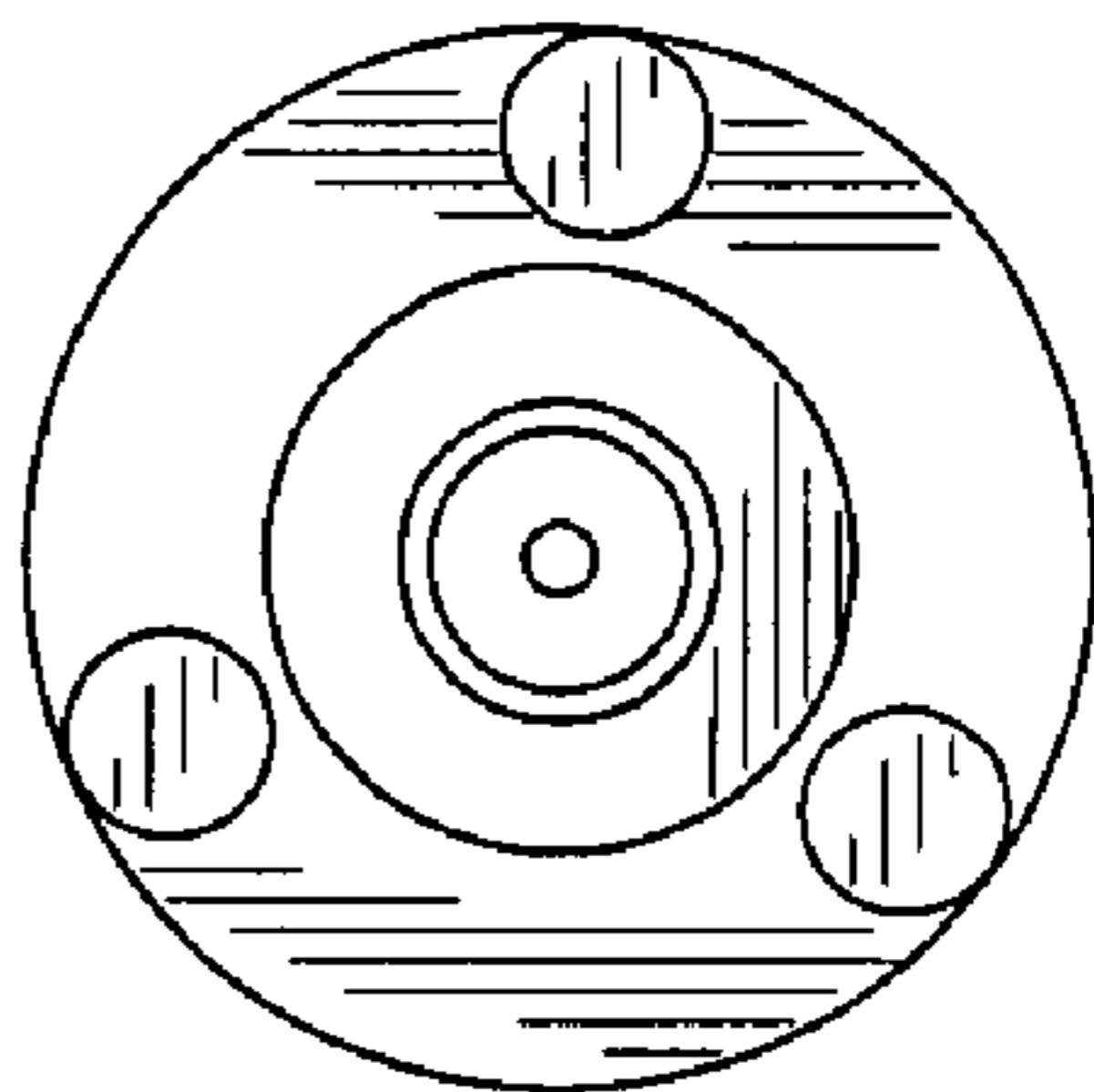


FIG. 7

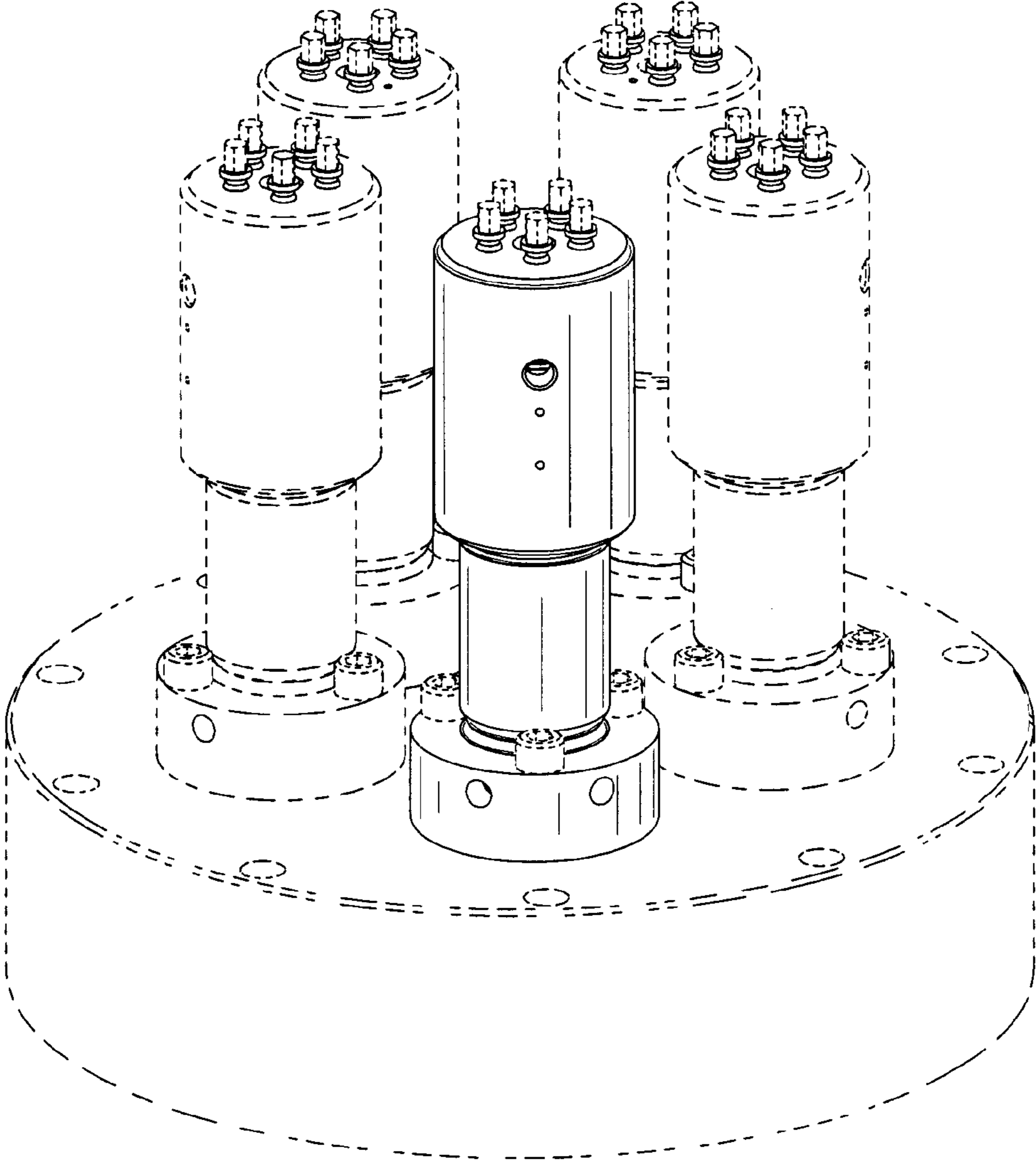


FIG. 8

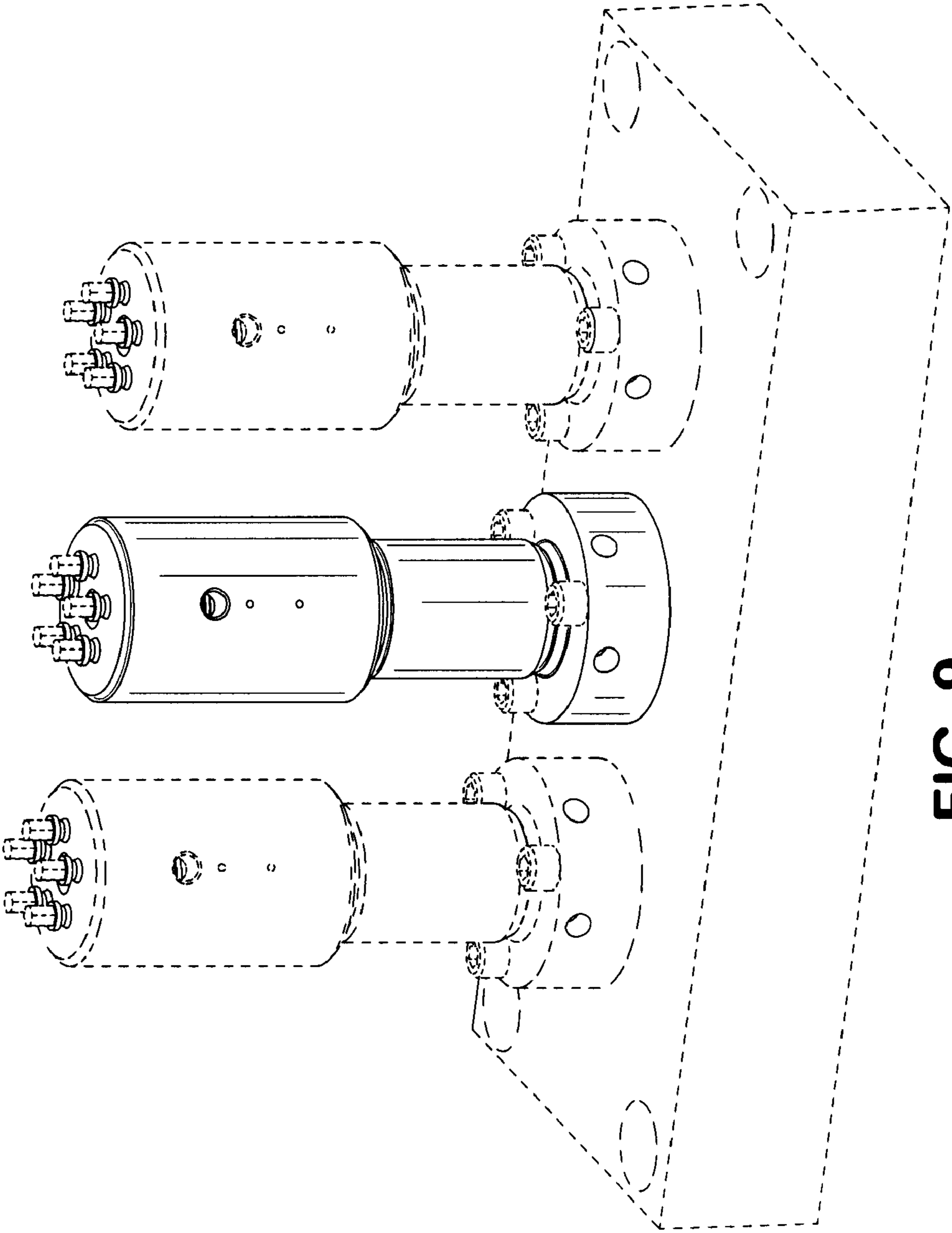


FIG. 9