



US00D531641S

(12) **United States Design Patent**
Schultz et al.

(10) **Patent No.:** **US D531,641 S**

(45) **Date of Patent:** **** Nov. 7, 2006**

(54) **VALVE COVER**

(75) Inventors: **Michael Schultz**, Menomonee Falls, WI (US); **Timothy B. Strandell**, Racine, WI (US); **Daniel J. DeLay**, Waterford, WI (US); **Mark Brenneman**, Burlington, WI (US)

(73) Assignee: **Briggs & Stratton Corporation**, Wauwatosa, WI (US)

(**) Term: **14 Years**

(21) Appl. No.: **29/226,018**

(22) Filed: **Mar. 23, 2005**

(51) **LOC (8) Cl.** **15-01**

(52) **U.S. Cl.** **D15/5**

(58) **Field of Classification Search** D15/1-5;
123/195 C, 198 E, 90.37, 90.38, 572, 573,
123/90.27; D12/400

See application file for complete search history.

(56) **References Cited**

U.S. PATENT DOCUMENTS

D252,878 S * 9/1979 Bellino et al. D15/5
D306,735 S * 3/1990 Finley D15/5

(Continued)

OTHER PUBLICATIONS

KAWASAKI, Four-Cycle Engines, Kawasaki FJ180V, website, http://www.kawpowr.com/4cycle/fj180v_specs.html, 1 page, Feb. 2, 2005.

KAWASAKI, Four-Cycle Engines, Kawasaki FC290v, website, http://www.kawpowr.com/4cycle/fc290v_specs.html, 1 page, Feb. 2, 2005.

KAWASAKI, Four-Cycle Engines, Kawasaki FH721D, website, http://www.kawpowr.com/4cycle/fh721d_specs.html, 1 page, Feb. 2, 2005.

KAWASAKI, Four-Cycle Engines, Kawasaki FH601D, website, http://www.kawpowr.com/4cycle/fh601d_specs.html, 1 page, Feb. 2, 2005.

KAWASAKI, Four-Cycle Engines Kawasaki FH601V, website, http://www.kawpowr.com/4cycle/fh601v_specs.html, 1 page, Feb. 2, 2005.

KAWASAKI, Four-Cycle Engines, Kawasaki FH500V, website, http://www.kawpowr.com/4cycle/fh500v_specs.html, 1 page, Feb. 2, 2005.

KAWASAKI, Four-Cycle Engines, Kawasaki FC150V, website, http://www.kawpowr.com/4cycle/fc150v_specs.html, 1 page, Feb. 2, 2005.

KAWASAKI, Four-Cycle Engines, Kawasaki FH721V, website, http://www.kawpowr.com/4cycle/fh721v_specs.html, 1 page, Feb. 2, 2005.

Tecumseh Power Company, Walk-Behind Engines & Transmissions Horsepower Range: 3.5-7.0, website <http://www.tecumsehpower.com/Products/WalkBehind/index.php>, 1 page, Feb. 2, 2005.

(Continued)

Primary Examiner—Ian Simmons

Assistant Examiner—Maurice Stevens

(74) *Attorney, Agent, or Firm*—Michael Best & Friedrich, LLP

(57) **CLAIM**

The ornamental design for a valve cover, as shown and described.

DESCRIPTION

FIG. 1 is a perspective view of an engine including a valve cover embodying the present invention;

FIG. 2 is an enlarged perspective view of the valve cover of FIG. 1;

FIG. 3 is a front view of the valve cover of FIG. 2; and

FIG. 4 is a rear view of the valve cover of FIG. 2;

FIG. 5 is a right side view of the valve cover of FIG. 2;

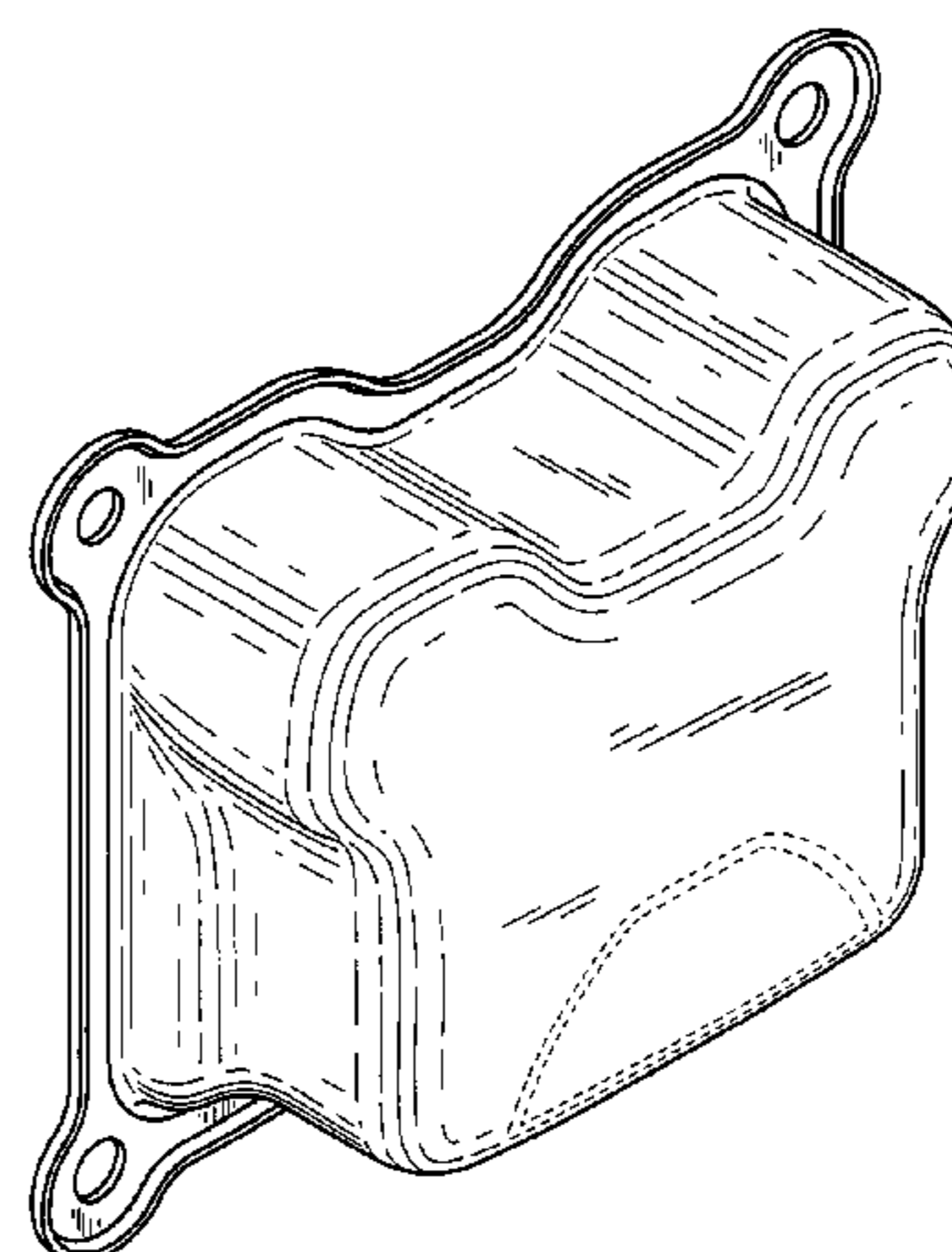
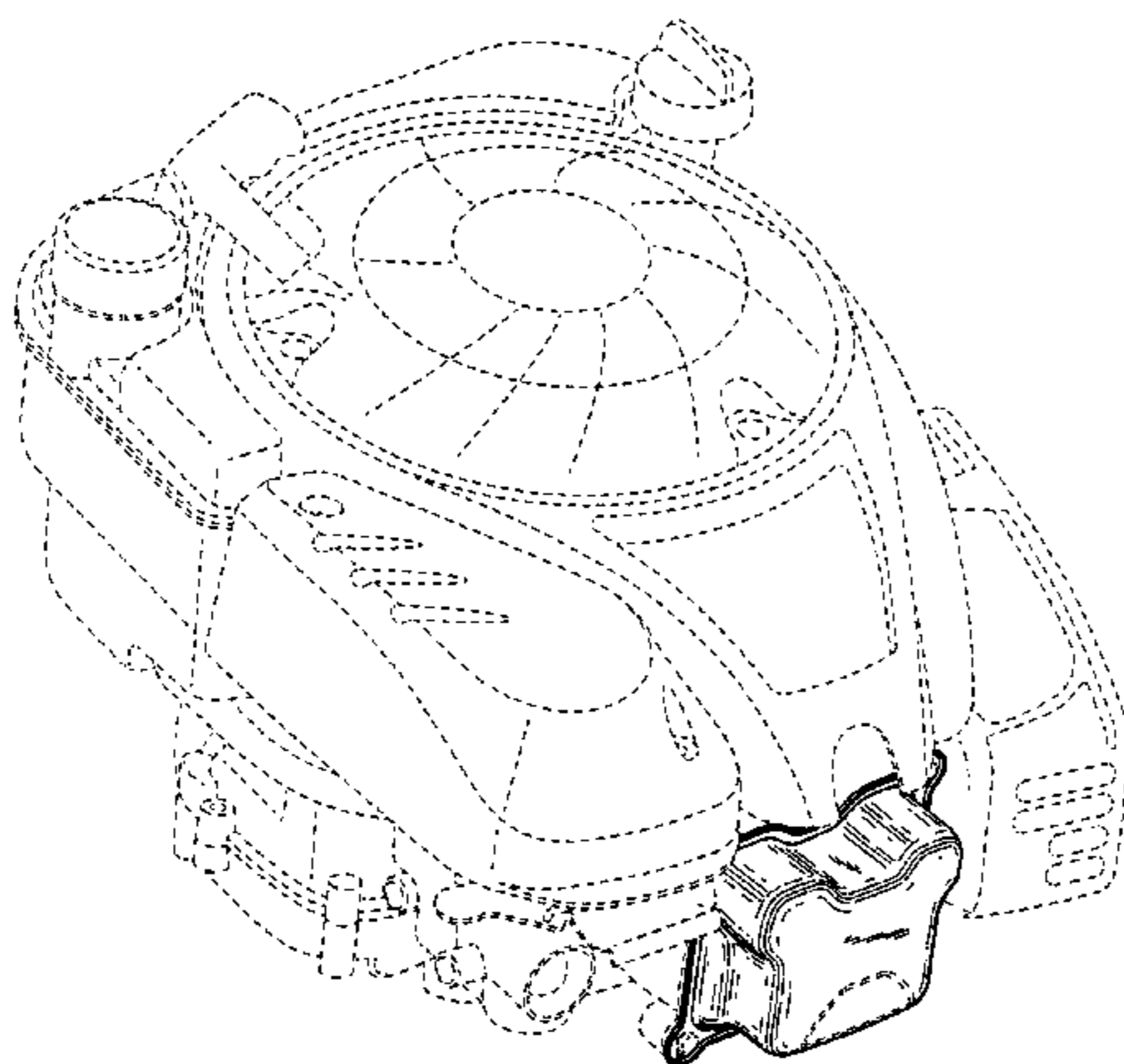
FIG. 6 is a left side view of the valve cover of FIG. 2;

FIG. 7 is a top view of the valve cover of FIG. 2; and

FIG. 8 is a bottom view of the valve cover of FIG. 2.

The broken line showing of the environment is for illustrative purposes only and forms no part of the claimed design.

1 Claim, 5 Drawing Sheets



U.S. PATENT DOCUMENTS

D324,867 S * 3/1992 Lyndhurst et al. D15/5
D418,844 S * 1/2000 Occhiuto D15/5
D422,551 S * 4/2000 Haines D12/400
D503,724 S * 4/2005 Grant D15/5

OTHER PUBLICATIONS

Kohler Co. Engine Division; Kohler Engines Born to Run Owner's Manual, Command 11-16 HP Vertical Crankshaft; Cover Sheet, Revised Sep. 1999, Kohler Co. Engine Division, Kohler, Wisconsin, USA.

Kohler Co. Engine Division; Kohler Engines Born to Run Owner's Manual, Command 18-26 HP Horizontal Crankshaft; Cover Sheet, Revised May 1999, Kohler Co. Engine Division, Kohler, Wisconsin, USA.

Kohler Co. Engine Division; Kohler Engines Born to Run Owner's Manual, Command 11-15 HP Horizontal Crankshaft; Cover Sheet, Revised Apr. 1999, Kohler Co. Engine Division, Kohler, Wisconsin, USA.

Kohler Co. Engine Division; Kohler Engines Born to Run Owner's Manual, Magnum 8,12,16 HP Horizontal Crankshaft; Cover Sheet, Revised Dec. 2001, Kohler Co. Engine Division, Kohler, Wisconsin, USA.

Kohler Co. Engine Division; Kohler Engines Service Manual, Courage Series SV470-600 Vertical Crankshaft; website http://www.kohlerengines.com/onlinecatalog/detail.jsp?prod_num=Hydro+13, Cover Sheet, Feb. 2, 2005, Kohler Co. Engine Division, Kohler, Wisconsin, USA.

Kohler Co. Engine Division; Kohler Engines Kohler Triad OHC; website http://www.kohlerengines.com/onlinecatalog/enginefamily.jsp?engine_family_name=Triad+OHC, Cover Sheet Feb. 2, 2005, Kohler Co. Engine Division, Kohler, Wisconsin, USA.

Honda Engines, Honda GC Series Engines, brochure, 2003, 10 pages, American Honda Motor Co, Inc.

Briggs & Stratton, 04 Engine Guide; brochure; 2003; 58 pages; Briggs & Stratton, Wauwatosa, Wisconsin, USA.

* cited by examiner

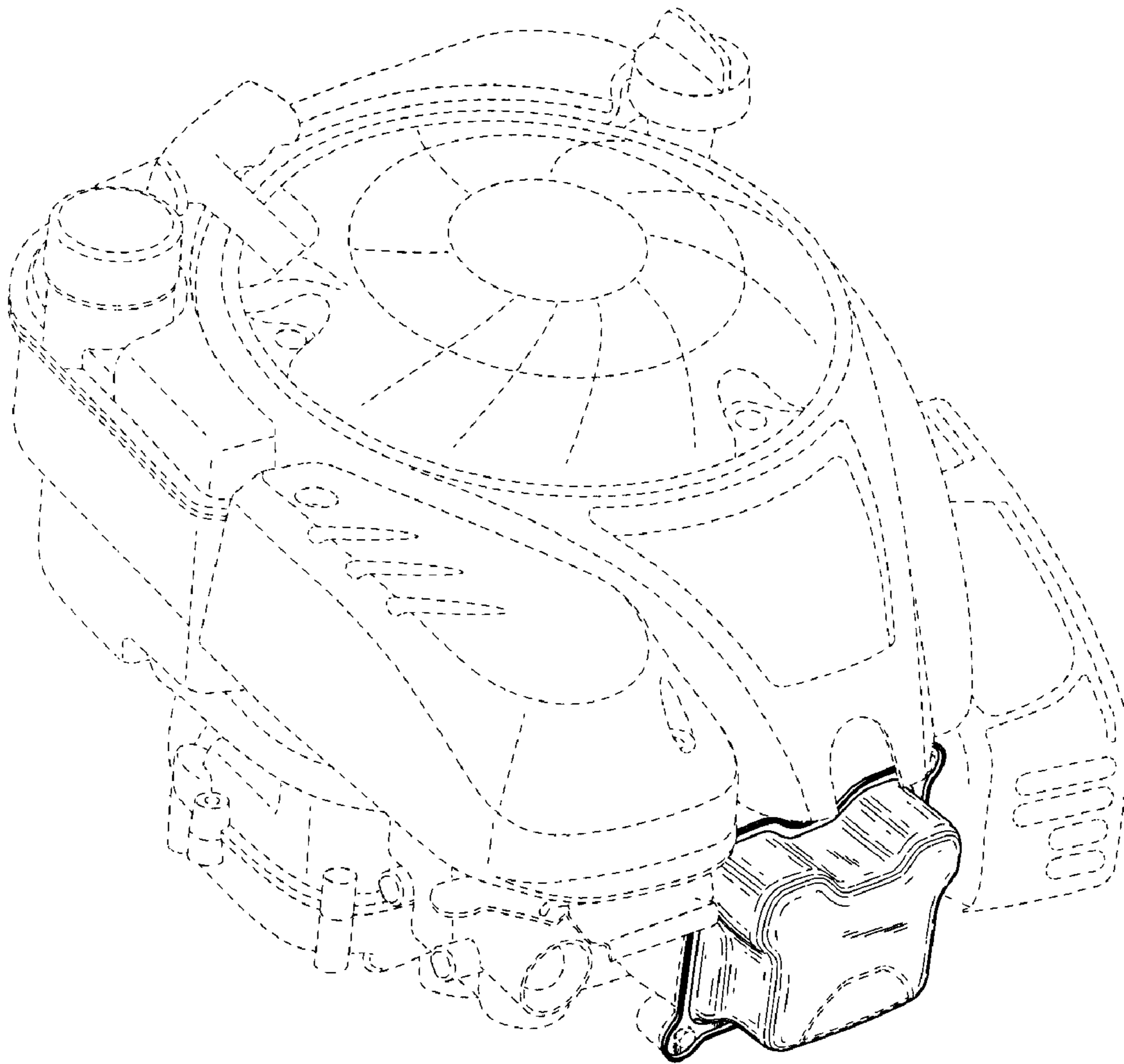


FIG. 1

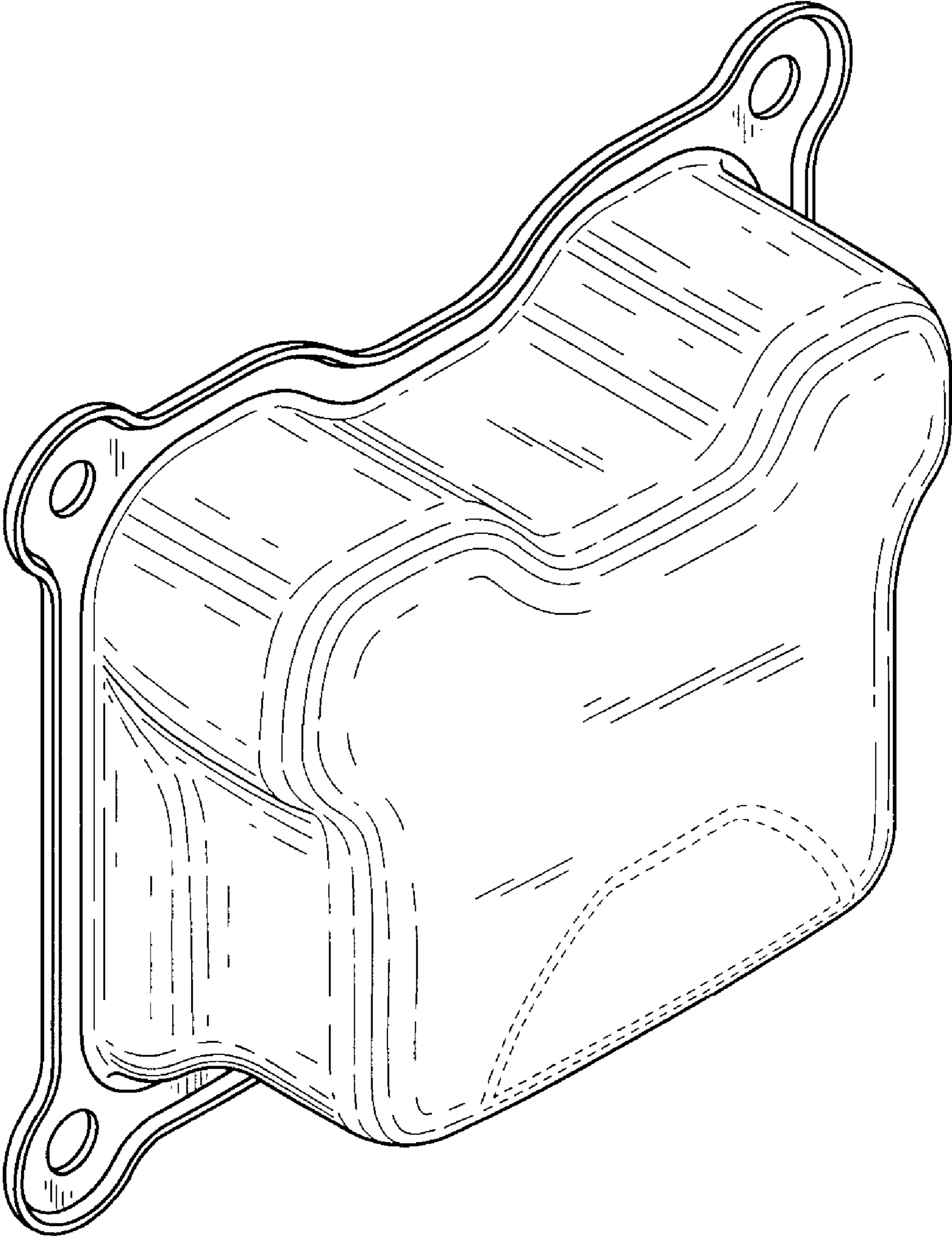


FIG. 2

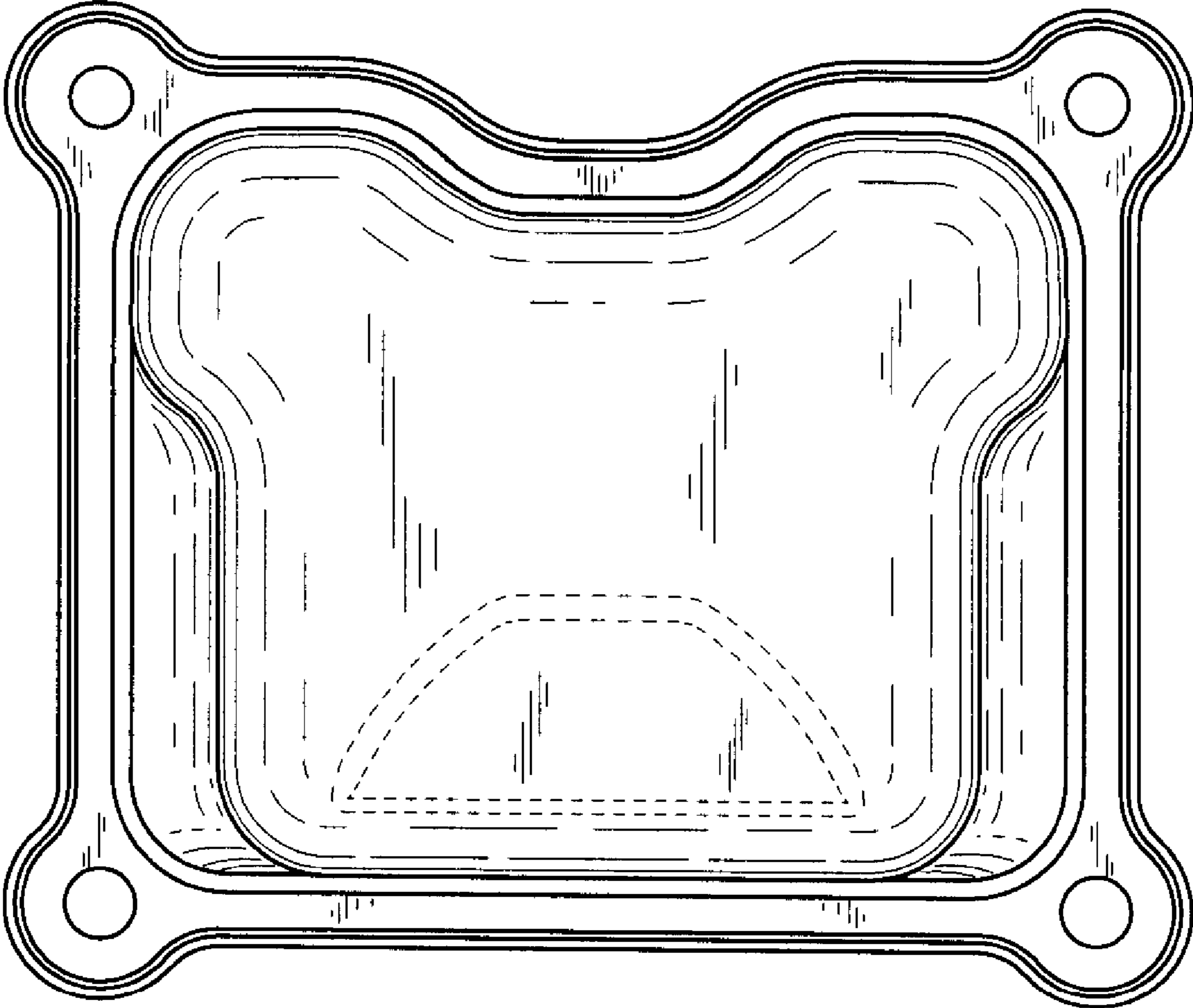


FIG. 3

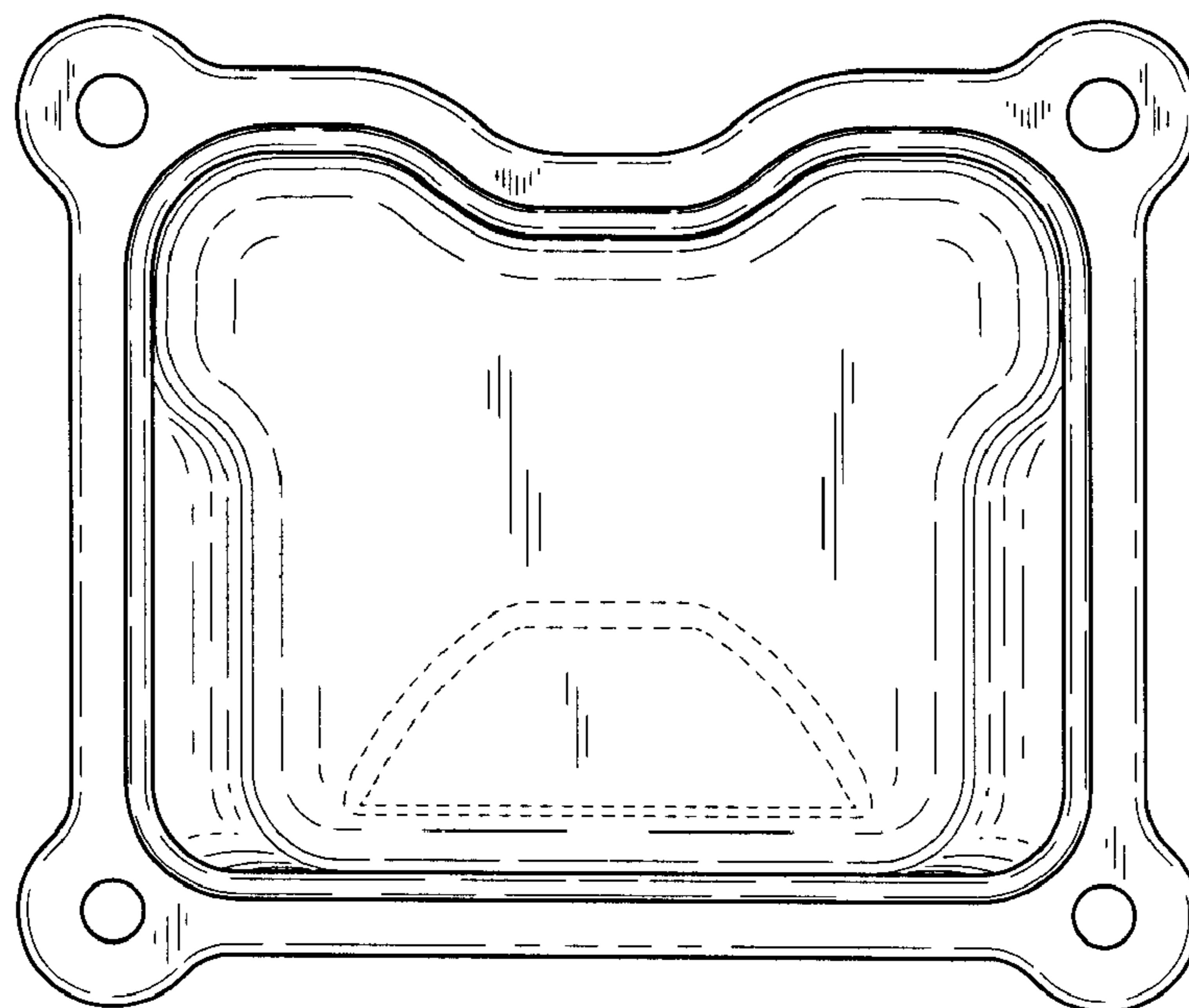


FIG. 4

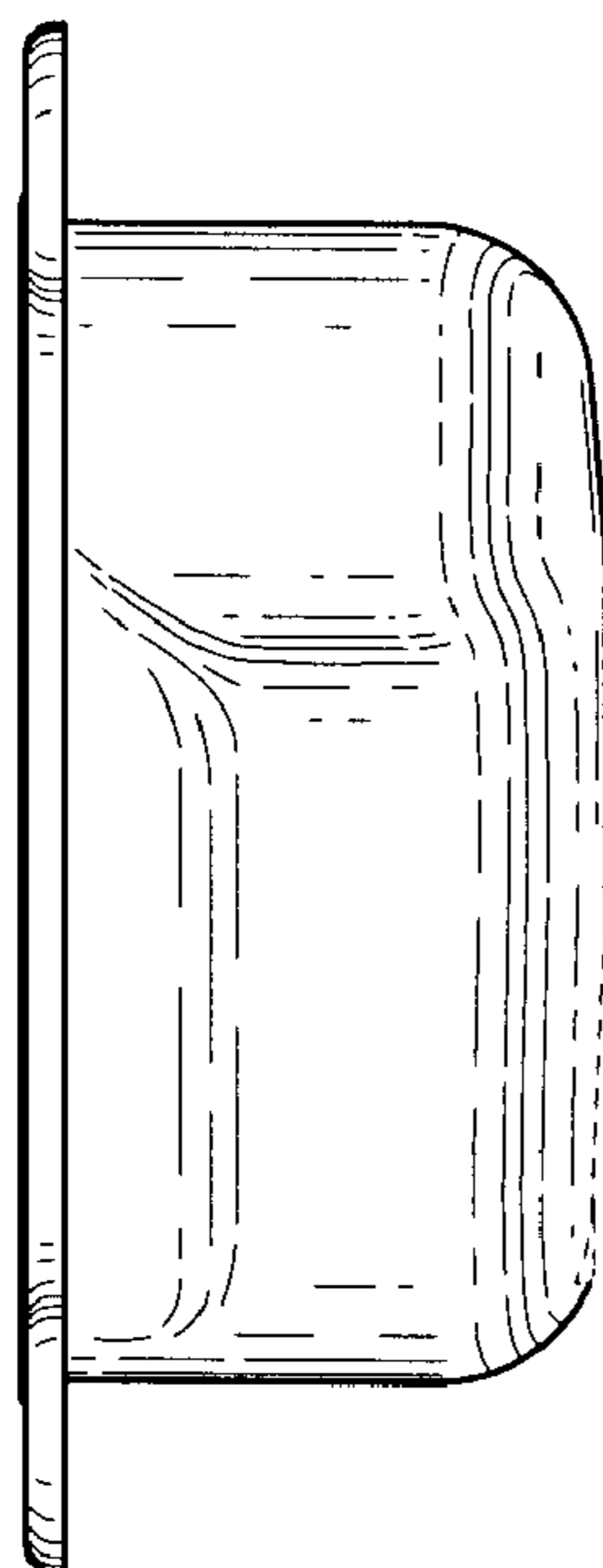


FIG. 5

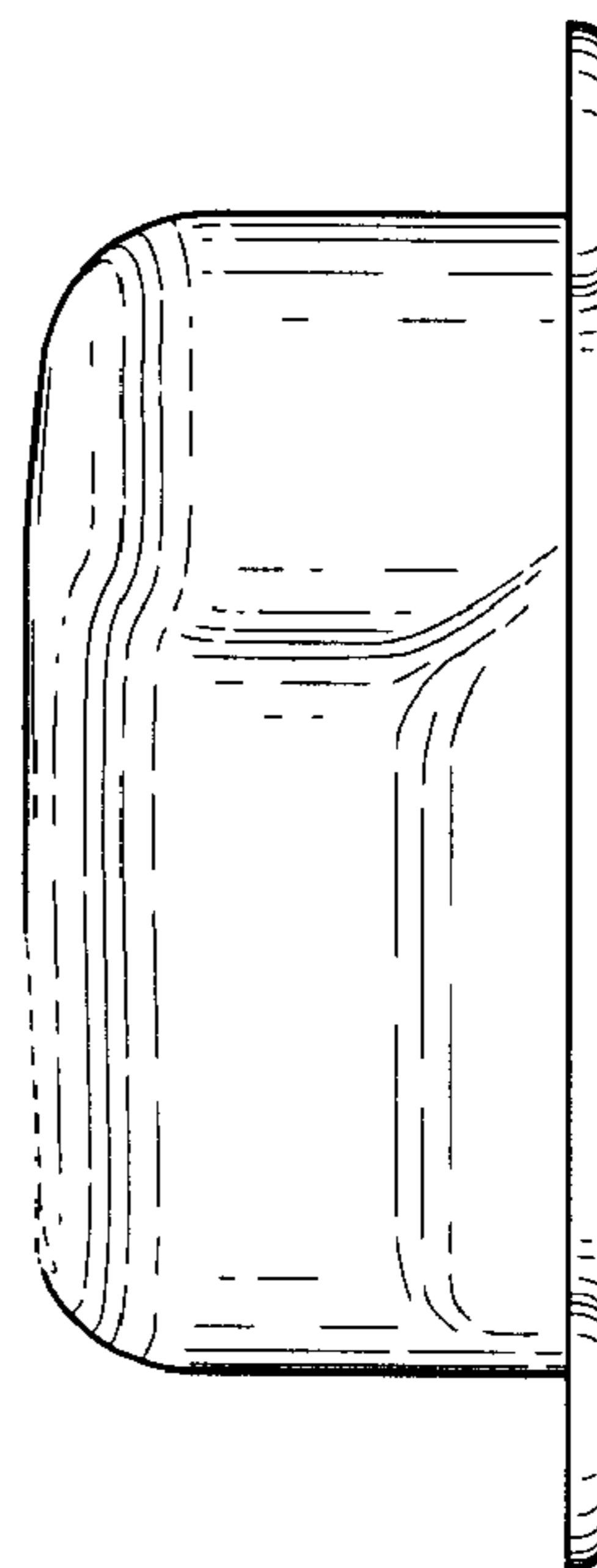


FIG. 6

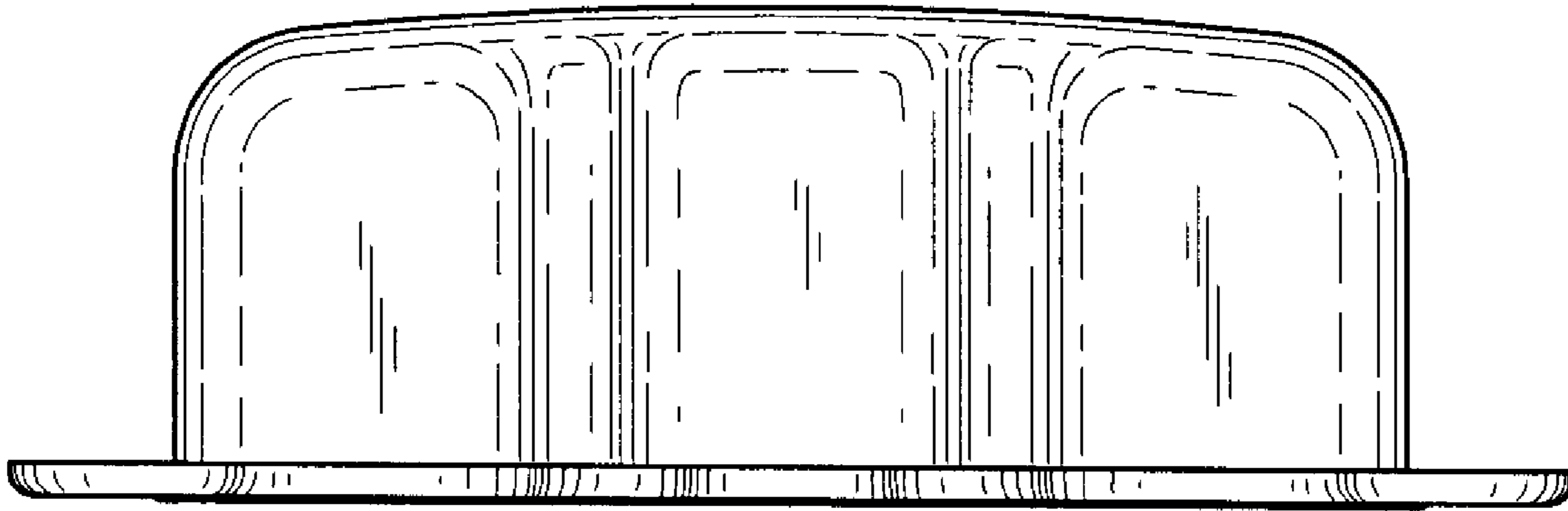


FIG. 7

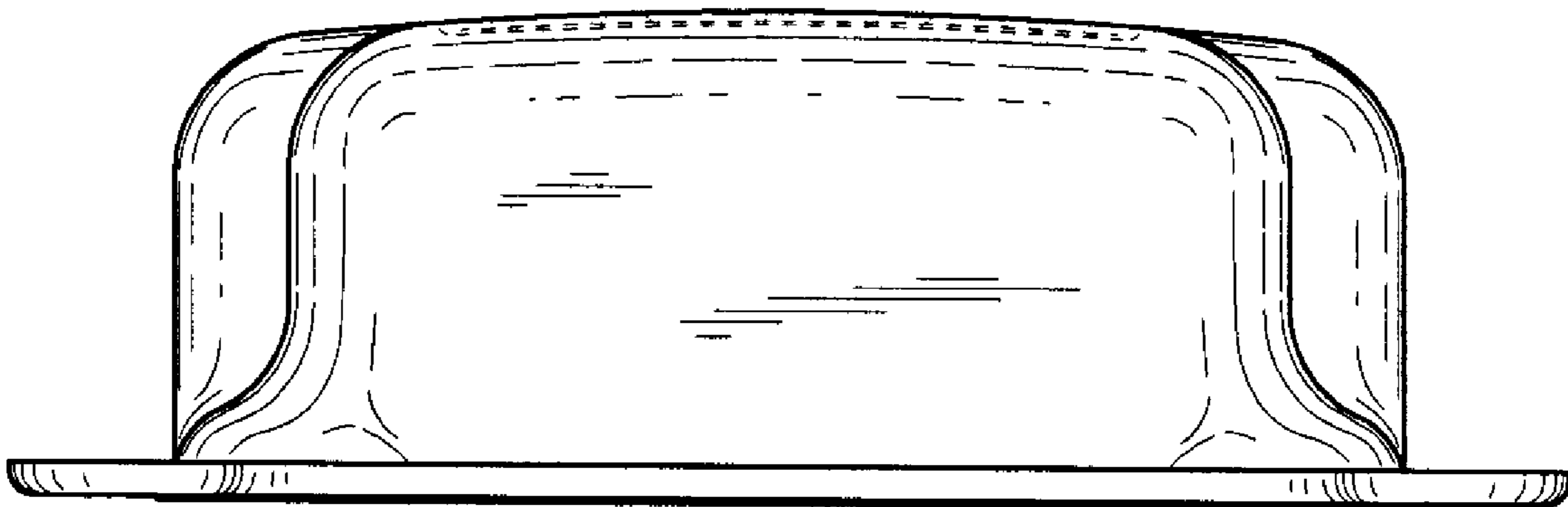


FIG. 8