



US00D531640S

(12) **United States Design Patent**
Okamoto

(10) **Patent No.:** **US D531,640 S**

(45) **Date of Patent:** **** Nov. 7, 2006**

(54) **OUTBOARD MOTOR**

D486,500 S * 2/2004 Okamoto D15/4

(75) Inventor: **Hisashi Okamoto**, Hamamatsu (JP)

* cited by examiner

(73) Assignee: **Suzuki Motor Corporation** (JP)

Primary Examiner—Ian Simmons

Assistant Examiner—Maurice Stevens

(**) Term: **14 Years**

(74) *Attorney, Agent, or Firm*—Foley Hoag LLP

(21) Appl. No.: **29/218,495**

(57) **CLAIM**

(22) Filed: **Dec. 2, 2004**

The ornamental design for a outboard motor, as shown and described.

(30) **Foreign Application Priority Data**

DESCRIPTION

Jun. 2, 2004 (JP) 2004-016340

(51) **LOC (8) Cl.** **15-01**

(52) **U.S. Cl.** **D15/4**

(58) **Field of Classification Search** D15/1-5,
D15/149; 440/50, 57, 52-53, 61, 495, 84,
440/88, 3-6, 900, 75-81; 123/495, 195 P,
123/195 N; 248/640, 643; 290/43-46, 54
See application file for complete search history.

FIG. 1 is a front perspective view of the right side of an outboard motor showing my new design; FIG. 2 is a front perspective view of the left side thereof; FIG. 3 is a rear perspective view of the right side thereof; FIG. 4 is a rear perspective view of the left side thereof; FIG. 5 is a top view thereof; FIG. 6 is a bottom view thereof; FIG. 7 is a right side elevational view thereof; FIG. 8 is a left side elevational view thereof; FIG. 9 is a front view thereof; and, FIG. 10 is a rear view thereof.

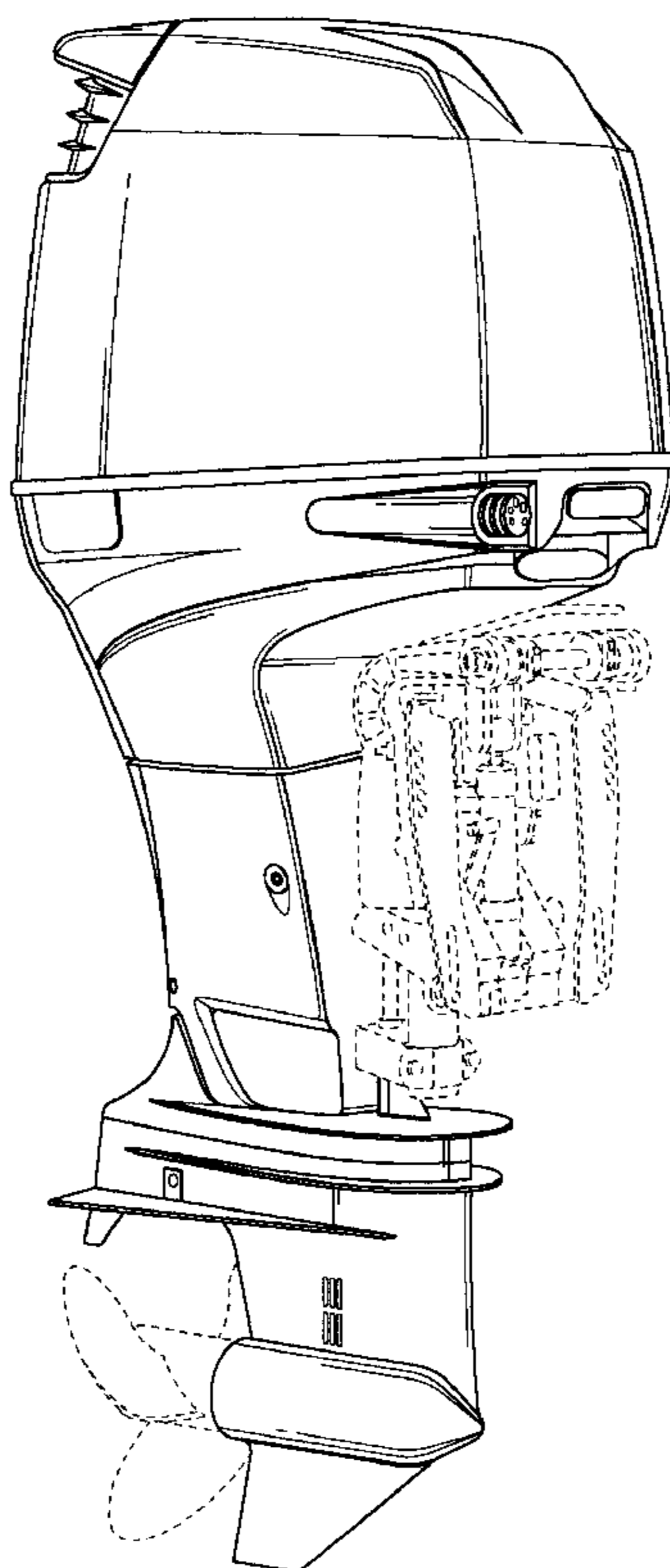
The broken lines shown are for illustrative purposes only and form no part of the claimed design.

(56) **References Cited**

U.S. PATENT DOCUMENTS

D412,911 S * 8/1999 Iekura D15/4
D443,879 S * 6/2001 Fujieda D15/4
D463,448 S * 9/2002 Osumi et al. D15/4

1 Claim, 10 Drawing Sheets



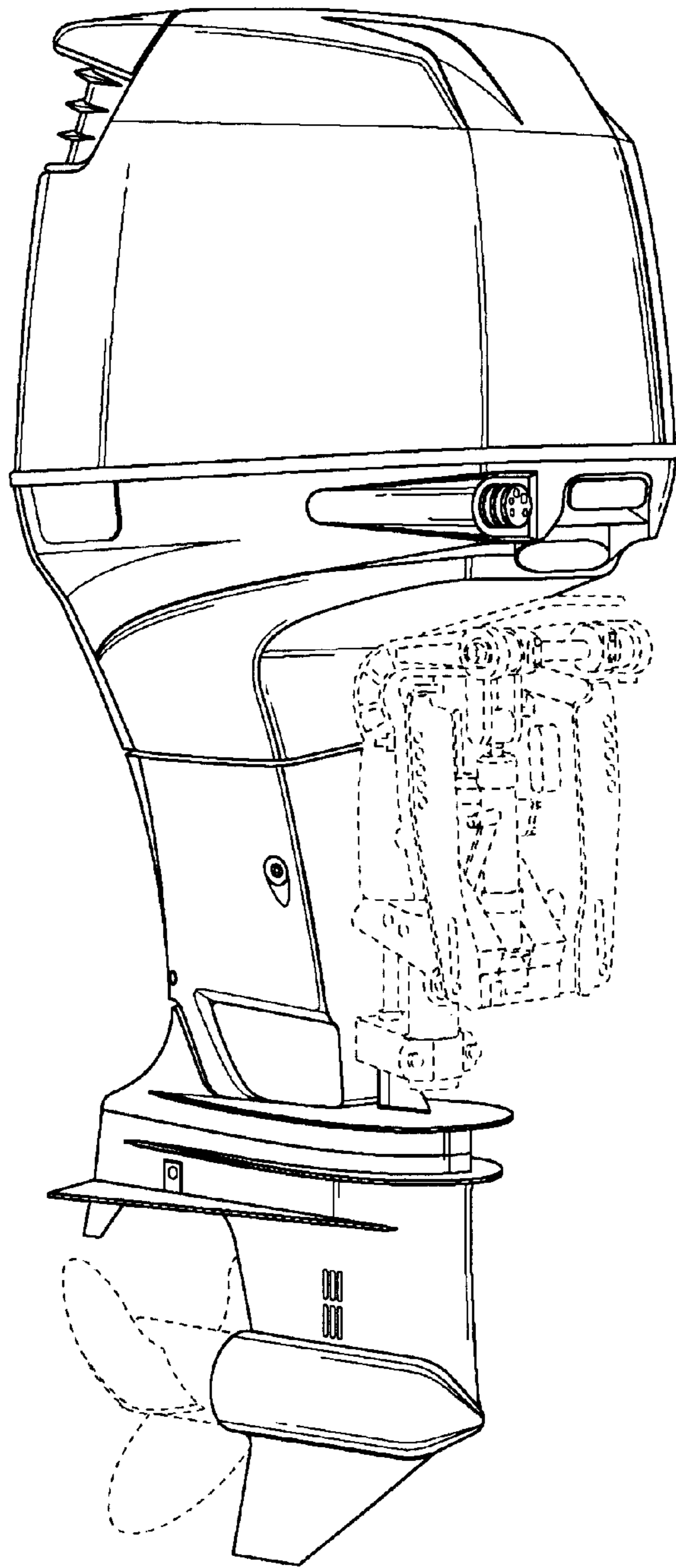


Fig. 1

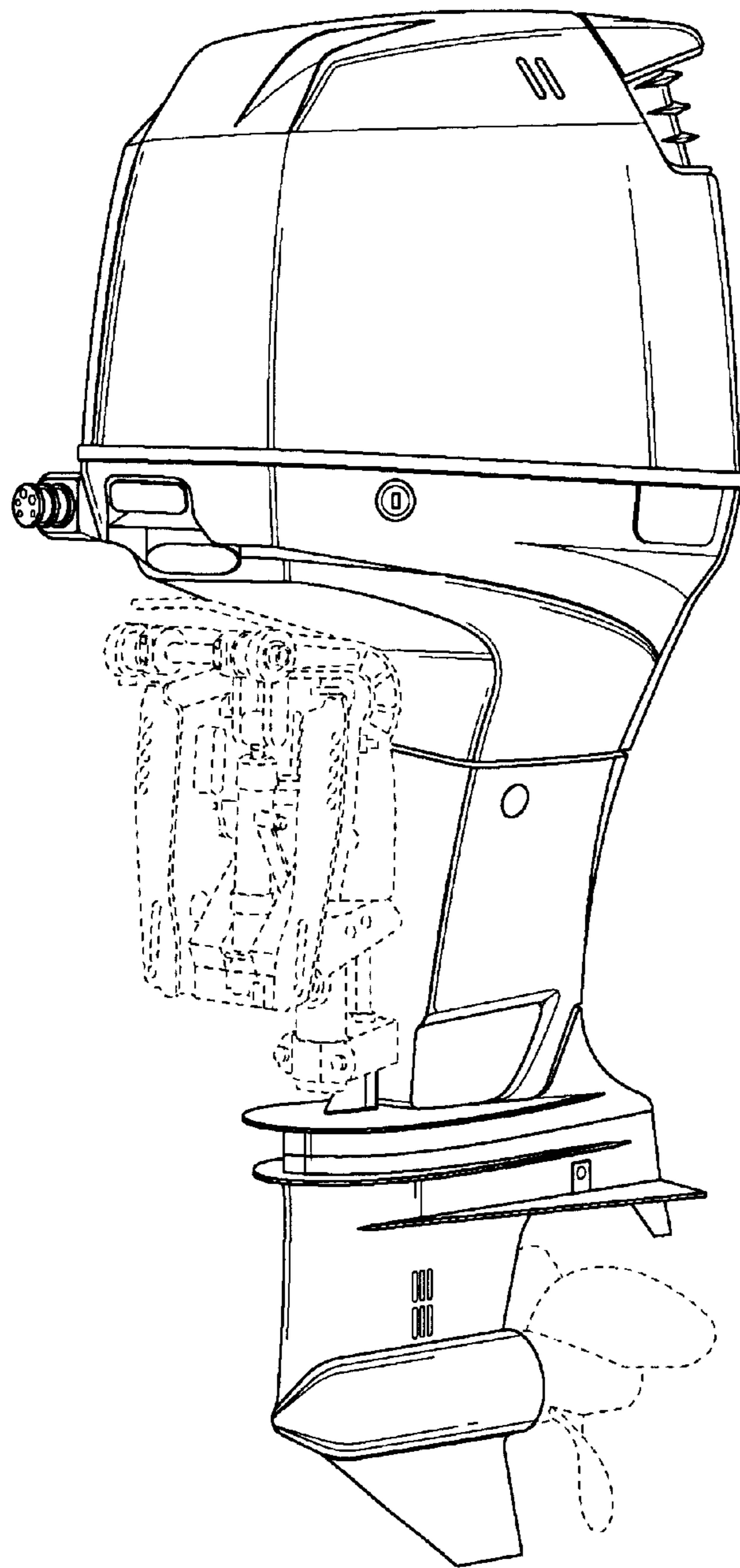


Fig. 2

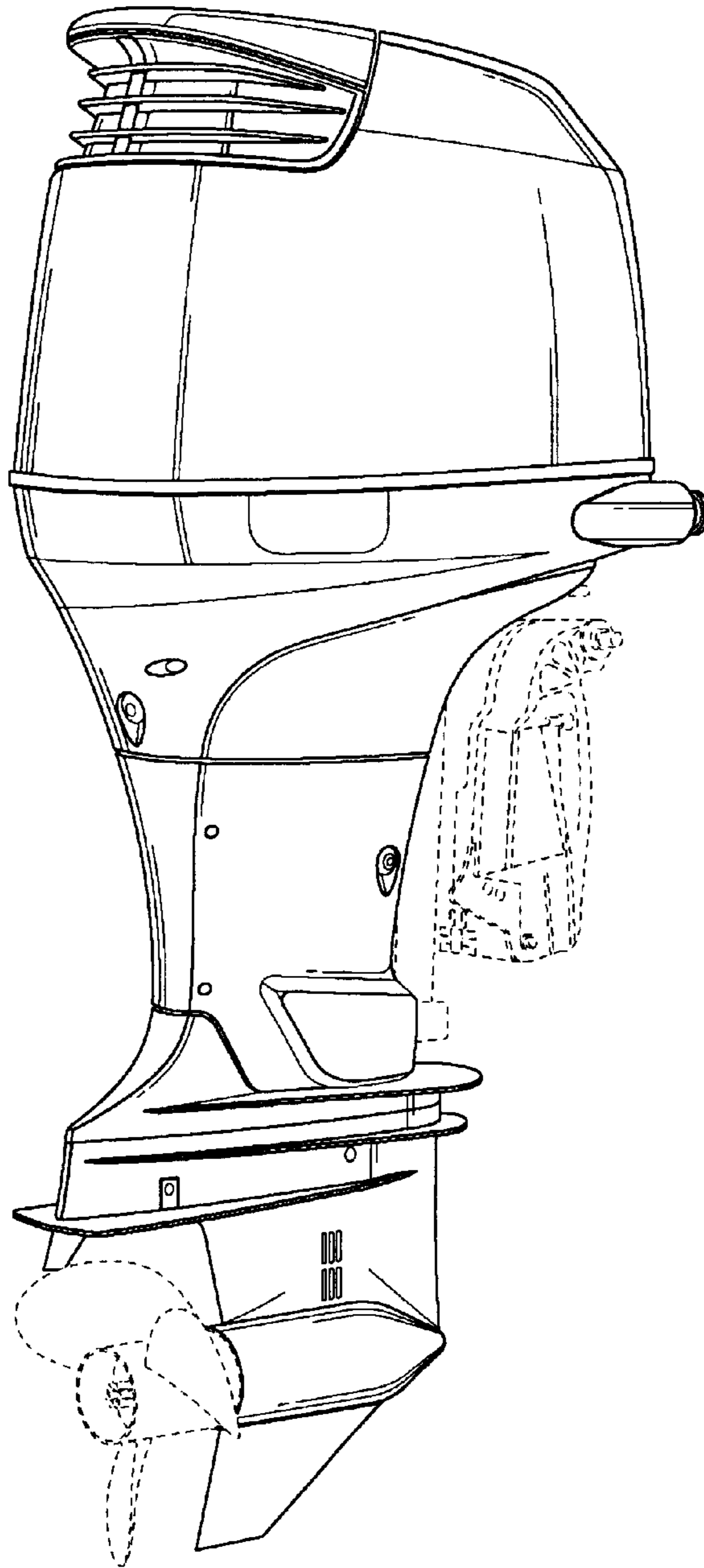


Fig. 3

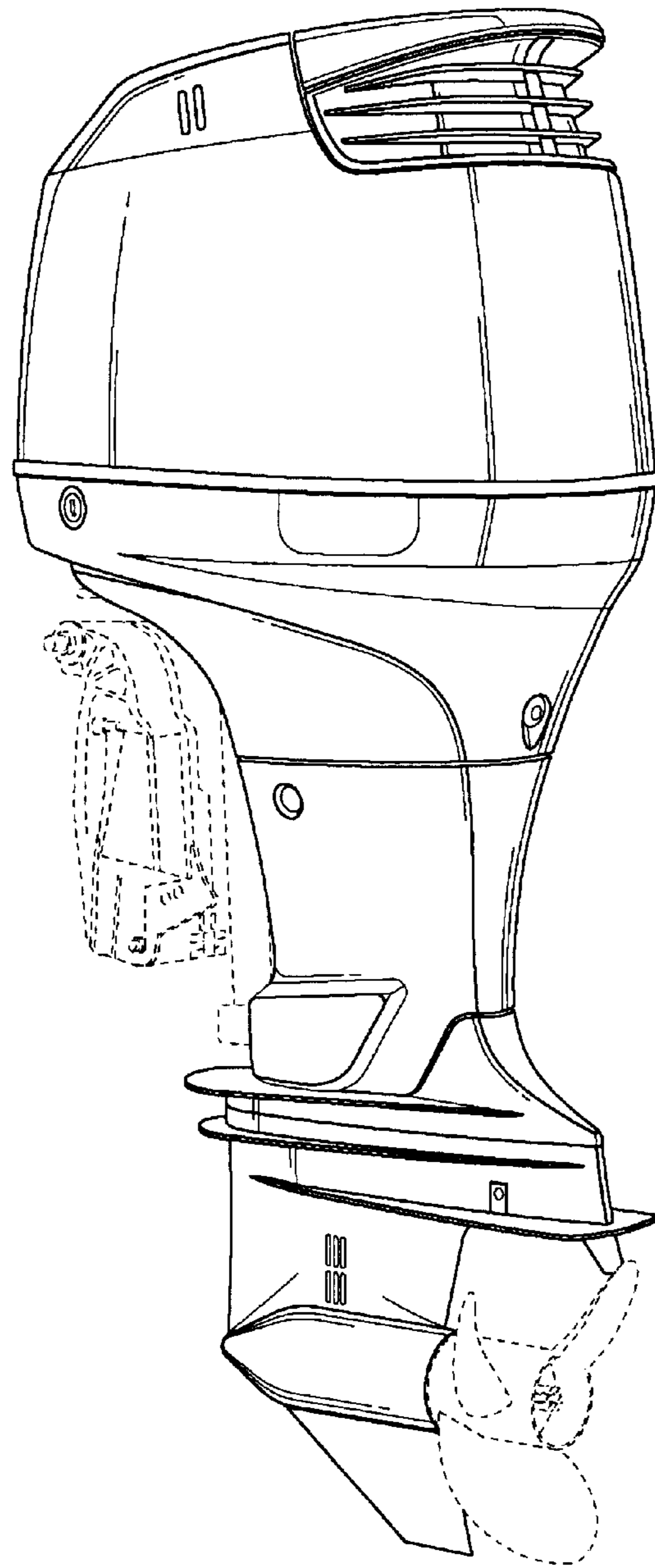


Fig. 4

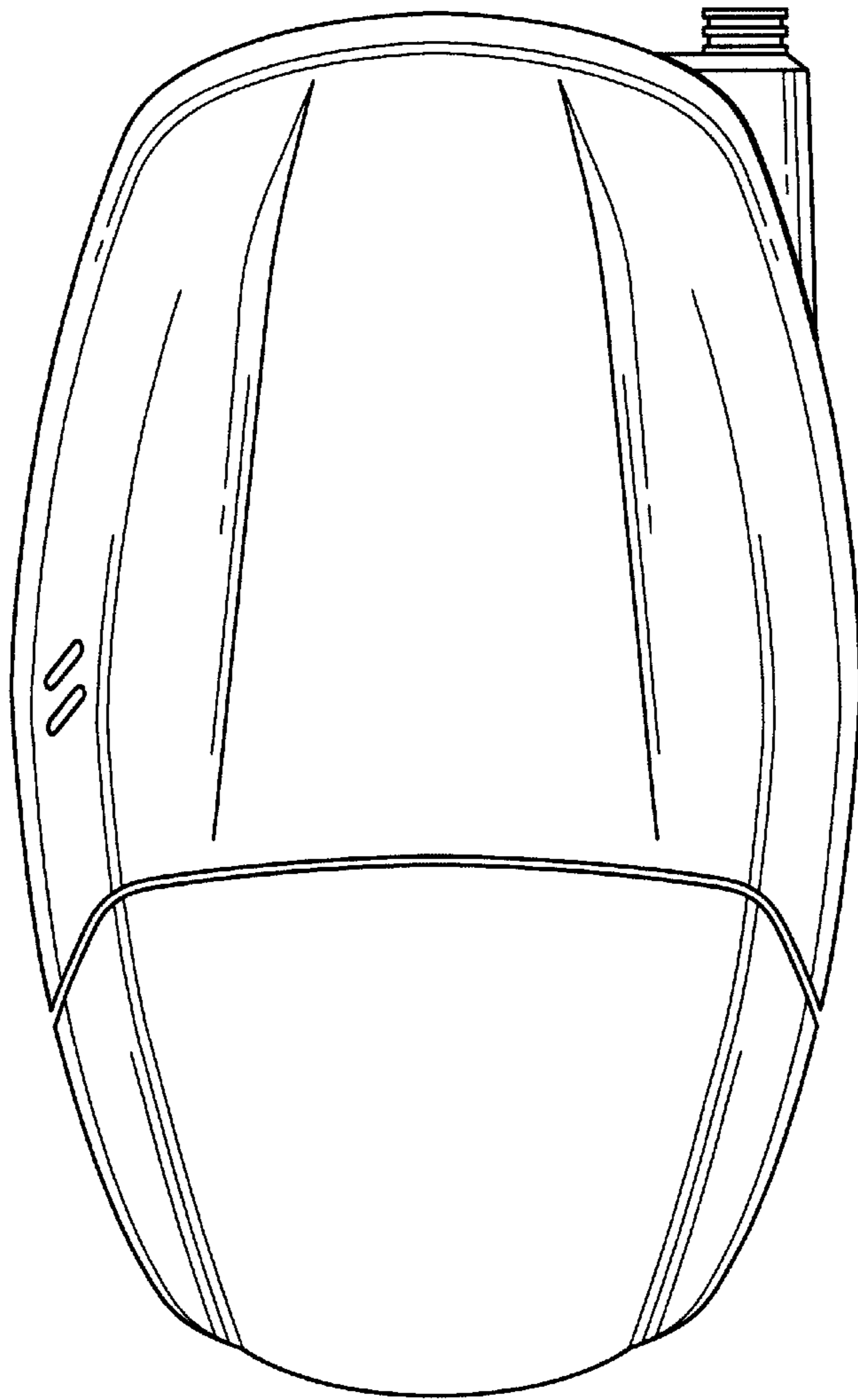


Fig. 5

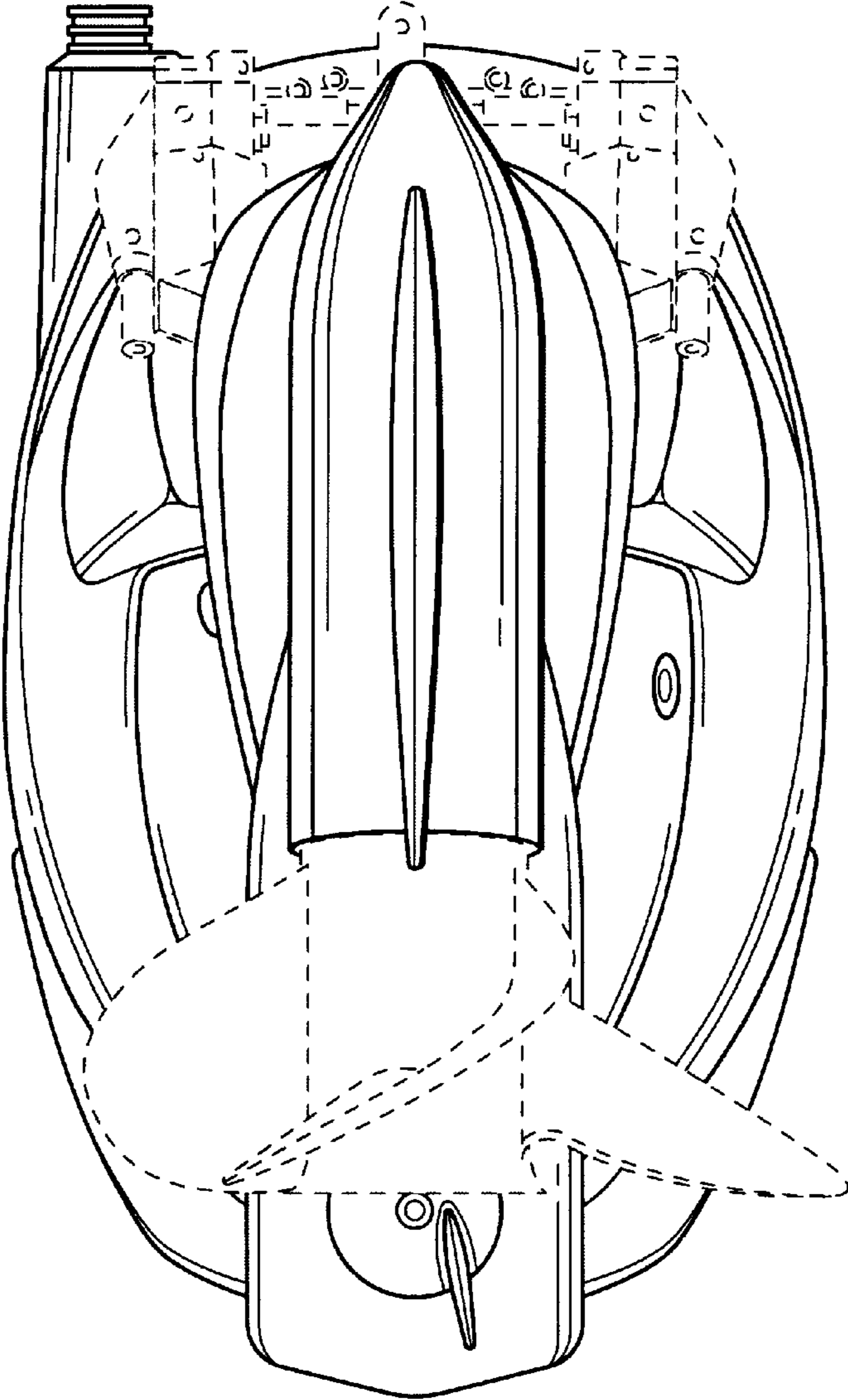


Fig. 6

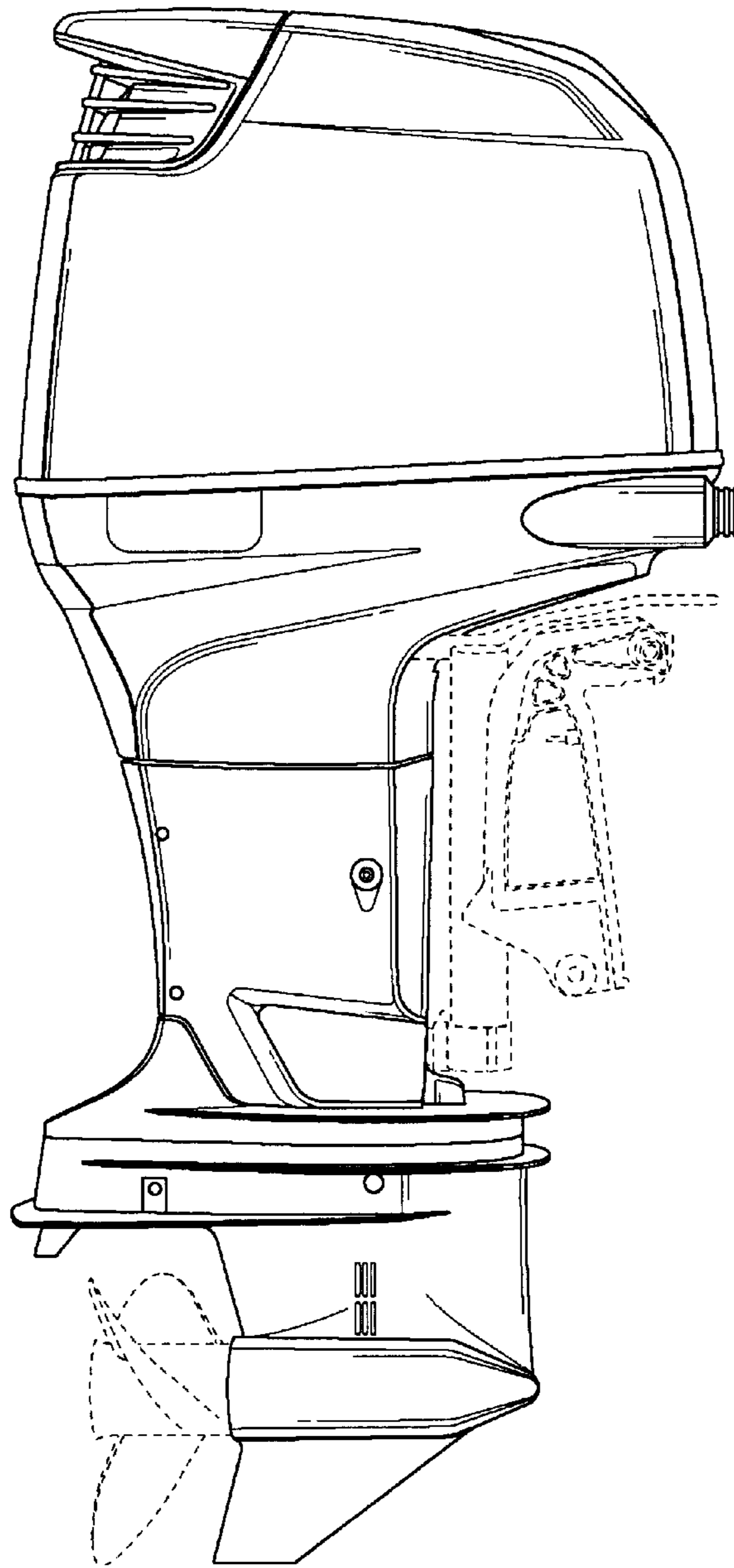


Fig. 7

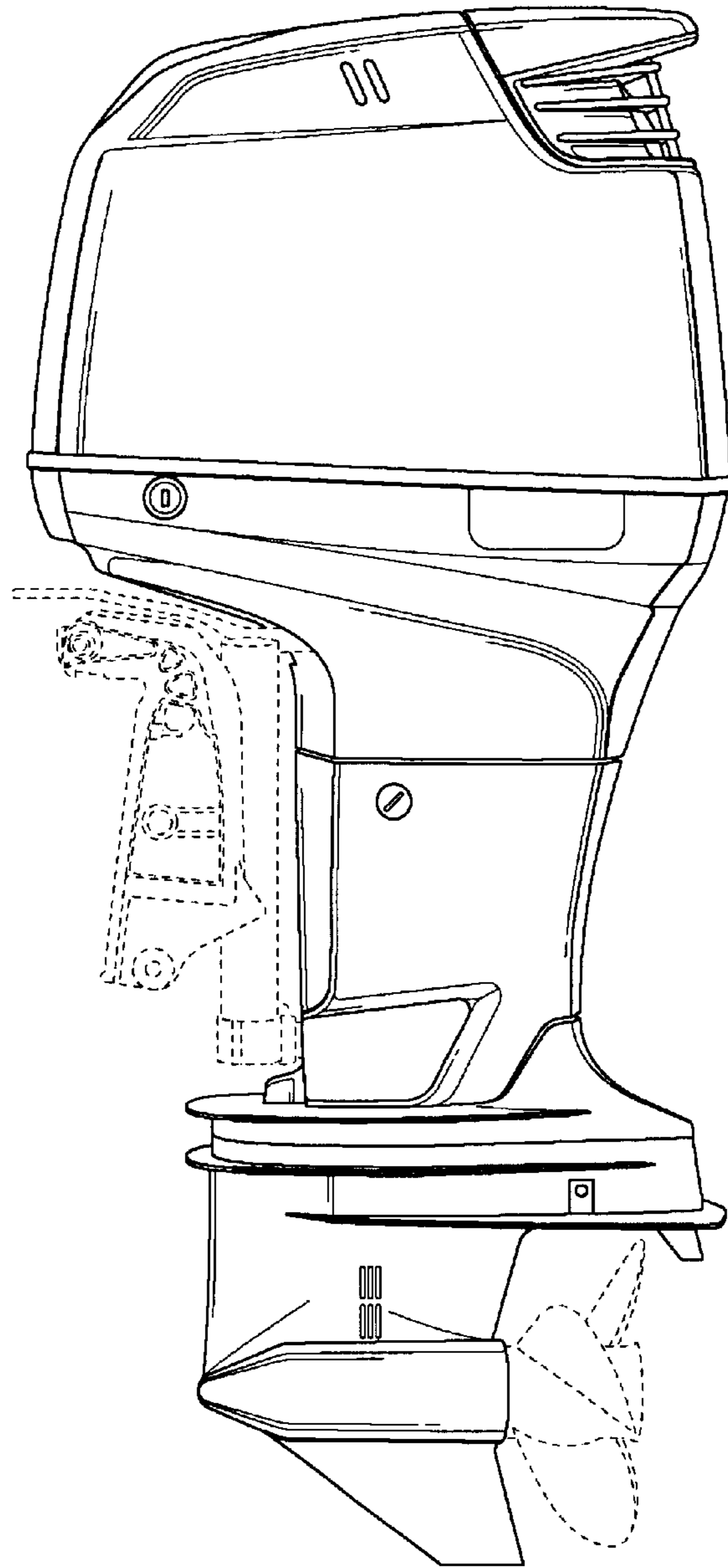


Fig. 8

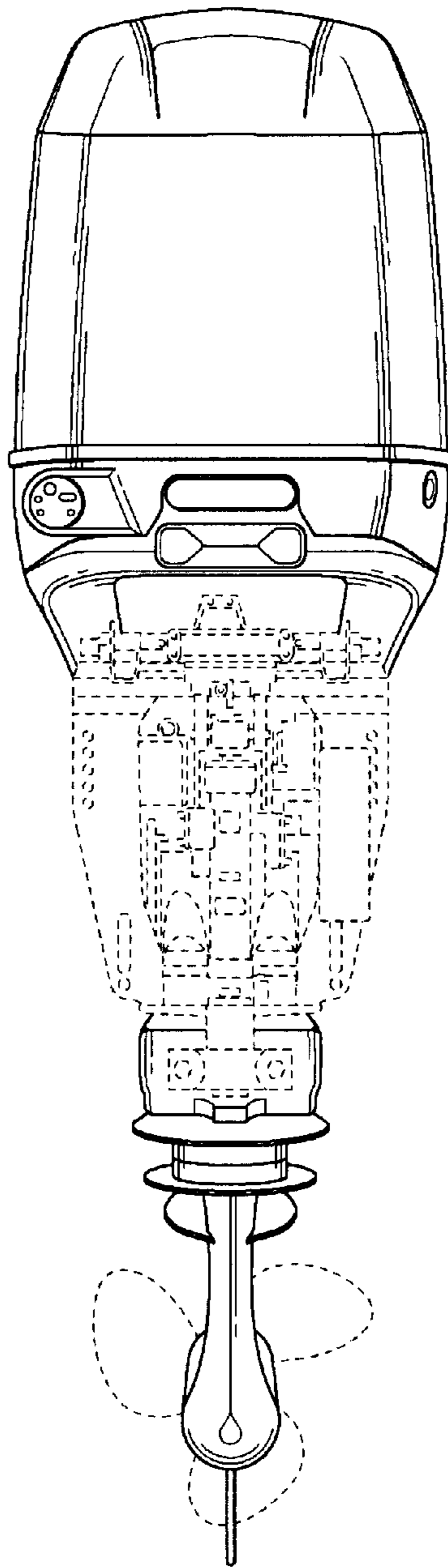


Fig. 9

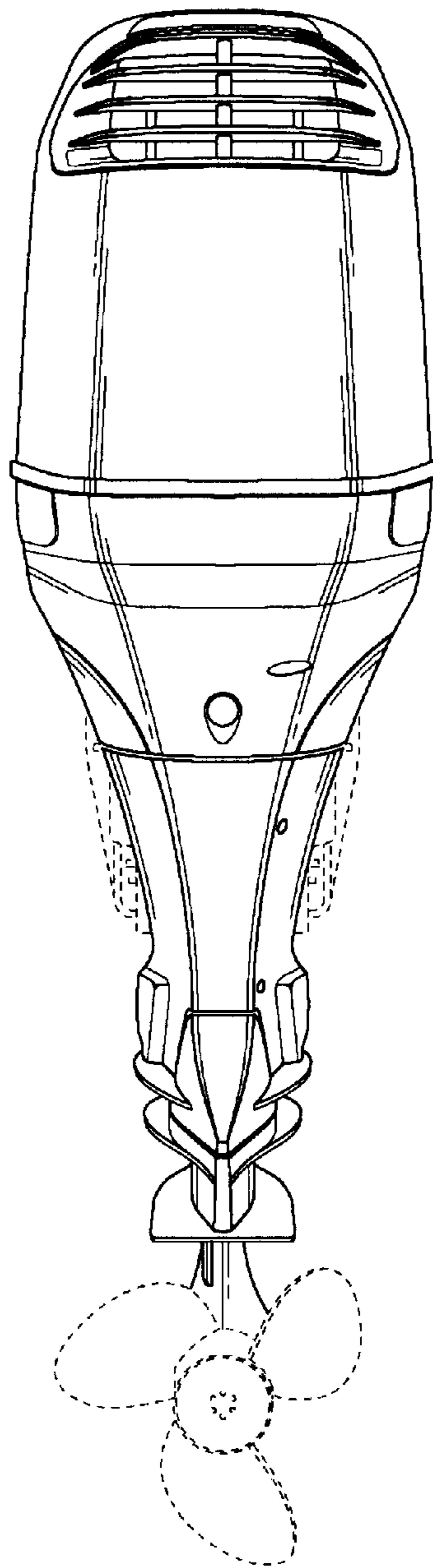


Fig. 10