



US00D531638S

(12) **United States Design Patent** (10) **Patent No.:** **US D531,638 S**
Drew et al. (45) **Date of Patent:** **** Nov. 7, 2006**

(54) **ENGINE ASSEMBLY**

(75) Inventors: **Christopher J. Drew**, New Berlin, WI (US); **Charles Lasky**, Grafton, WI (US); **Paul A. Leech**, Fox Point, WI (US); **John P. McDonald**, New Berlin, WI (US); **Brian P. Saiia**, Milwaukee, WI (US); **John R. Schneiker**, Muskego, WI (US); **Kipp K. Stevens**, Fox Point, WI (US); **Christina E. Wisler**, Waukesha, WI (US)

(73) Assignee: **Briggs & Stratton Corporation**, Wauwatosa, WI (US)

(**) Term: **14 Years**

(21) Appl. No.: **29/231,995**

(22) Filed: **Jun. 13, 2005**

(51) **LOC (8) Cl.** **15-01**

(52) **U.S. Cl.** **D15/1**

(58) **Field of Classification Search** D15/1-5;
123/41.7, 50 A, 198 E, 306, 308, 657, 661,
123/667

See application file for complete search history.

(56) **References Cited**

U.S. PATENT DOCUMENTS

D277,485 S * 2/1985 Iwakura et al. D15/3
D332,611 S * 1/1993 Tikhonenko D15/1

(Continued)

OTHER PUBLICATIONS

KAWASAKI, Four-Cycle Engines, Kawasaki FJ180V, website, http://www.kawpowr.com/4cycle/fj180v_specs.html, 1 page, Feb. 2, 2005.

KAWASAKI, Four-Cycle Engines, Kawasaki FC290v, website, http://www.kapowr.com/4cycle/fc290v_specs.html, 1 page, Feb. 2, 2005.

KAWASAKI, Four-Cycle Engines, Kawasaki FH721D, website, http://www.kawpowr.com/4cycle/fh721d_specs.html, 1 page, Feb. 2, 2005.

KAWASAKI, Four-Cycle Engines, Kawasaki FH601D, website, http://www.kawpowr.com/4cycle/fh601d_specs.html, 1 page, Feb. 2, 2005.

KAWASAKI, Four-Cycle Engines, Kawasaki FH601V, website, http://www.kawpowr.com/4cycle/fh601v_specs.html, 1 page, Feb. 2, 2005.

KAWASAKI, Four-Cycle Engines, Kawasaki FH500V, website, http://www.kawpowr.com/4cycle/fh500v_specs.html, 1 page, Feb. 2, 2005.

KAWASAKI, Four-Cycle Engines, Kawasaki FC150V, website, http://www.kawpowr.com/4cycle/fc150v_specs.html, 1 page, Feb. 2, 2005.

KAWASAKI, Four-Cycle Engines, Kawasaki FH721V, website, http://www.kawpowr.com/4cycle/fh721v_specs.html, 1 page, Feb. 2, 2005.

(Continued)

Primary Examiner—Ian Simmons

Assistant Examiner—Maurice Stevens

(74) *Attorney, Agent, or Firm*—Michael Best & Friedrich LLP

(57) **CLAIM**

The ornamental design for an engine assembly, as shown and described.

DESCRIPTION

FIG. 1 is a front perspective view of an engine assembly of the present invention.

FIG. 2 is a top view of the engine assembly of FIG. 1.

FIG. 3 is a bottom view of the engine assembly of FIG. 1.

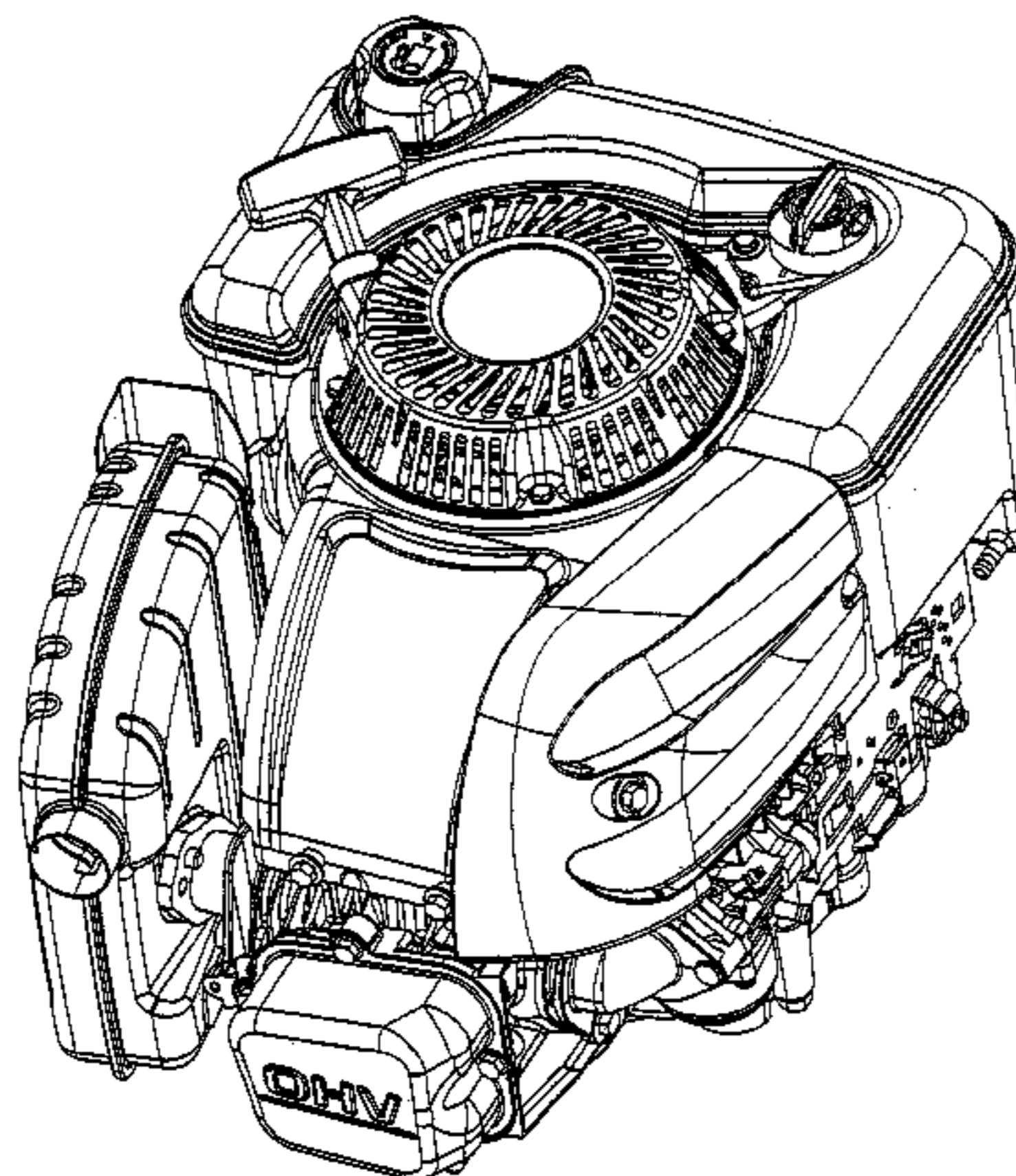
FIG. 4 is a front view of the engine assembly of FIG. 1.

FIG. 5 is a rear view of the engine assembly of FIG. 1.

FIG. 6 is a left side view of the engine assembly of FIG. 1; and,

FIG. 7 is a right side view of the engine assembly of FIG. 1.

1 Claim, 7 Drawing Sheets



U.S. PATENT DOCUMENTS

D416,265	S	*	11/1999	Kato et al.	D15/1
D482,045	S	*	11/2003	Iwata et al.	D15/1
D489,076	S	*	4/2004	Hiraiwa et al.	D15/1
D493,806	S	*	8/2004	Csiki	D15/1
D503,723	S	*	4/2005	Giddens	D15/1
D506,760	S	*	6/2005	Lin et al.	D15/1
D515,589	S	*	2/2006	Lin et al.	D15/1
D521,024	S	*	5/2006	Giddens	D15/1

OTHER PUBLICATIONS

Tecumseh Power Company, Walk-Behind Engines & Transmissions Horsepower Range: 3.5-7.0, website <http://www.tecumsehpower.com/Products/WalkBehind/index.php>, 1 page, Feb. 2, 2005.

Kohler Co. Engine Division; Kohler Engines Born to Run Owner's Manual, Command 11-16 HP Vertical Crankshaft; Cover Sheet, Revised Sep. 1999, Kohler Co. Engine Division, Kohler, Wisconsin, USA.

Kohler Co. Engine Division; Kohler Engines Born to Run Owner's Manual, Command 18-26 HP Horizontal Crankshaft; Cover Sheet, Revised May 1999, Kohler Co. Engine Division, Kohler, Wisconsin, USA.

Kohler Co. Engine Division; Kohler Engines Born to Run Owner's Manual, Command 11-15 HP Horizontal Crankshaft; Cover Sheet, Revised Apr. 1999, Kohler Co. Engine Division, Kohler, Wisconsin, USA.

Kohler Co. Engine Division; Kohler Engines Born to Run Owner's Manual, Magnum 8,12,16 HP Horizontal Crankshaft; Cover Sheet, Revised Dec. 2001, Kohler Co. Engine Division, Kohler, Wisconsin, USA.

Kohler Co. Engine Division; Kohler Engines Service Manual, Courage Series SV470-600 Vertical Crankshaft; website http://www.kohlerengines.com/onlinecatalog/detail.jsp?prod_num=Hydro+13, Cover Sheet, Feb. 2, 2005, Kohler Co. Engine Division, Kohler, Wisconsin, USA.

Kohler Co. Engine Division; Kohler Engines Kohler Triad OHC; website http://www.kohlerengines.com/onlinecatalog/enginefamily.jsp?engine_family_name=Triad+OHC, Cover Sheet, Feb. 2, 2005, Kohler Co. Engine Division, Kohler, Wisconsin, USA.

Honda Engines, Honda GC Series Engines, brochure, 2003, 10 pages, American Honda Motor Co, Inc.

KAWASAKI, Four-Cycle Engines, Kawasaki FJ180V, website, http://www.kawpowr.com/4cycle/fj180v_specs.html, 1 page, Feb. 18, 2005.

KAWASAKI, Four-Cycle Engines, kawasaki FC290V, website, http://www.kawpowr.com/4cycle/fc290v_specs.html, 1 page, Feb. 18, 2005.

KAWASAKI, Four-Cycle Engines, Kawasaki FH721D, website, http://www.kawpowr.com/4cycle/fh721d_specs.html, 1 page, Feb. 18, 2005.

KAWASAKI, Four-Cycle Engines, Kawasaki FH601D, website, http://www.kawpowr.com/4cycle/fh601d_specs.html, 1 page, Feb. 18, 2005.

KAWASAKI, Four-Cycle Engines, Kawasaki FH601V, website, http://www.kawpowr.com/4cycle/fh160v_specs.html, 1 page, Feb. 18, 2005.

KAWASAKI, Four-Cycle Engines, Kawasaki FH500V, website, http://www.kawpowr.com/4cycle/fh500v_specs.html, 1 page, Feb. 18, 2005.

KAWASAKI, Four-Cycle Engines, Kawasaki FC150V, website, http://www.kawpowr.com/4cycle/fc150v_specs.html, 1 page, Feb. 18, 2005.

KAWASAKI, Four-Cycle Engines, Kawasaki FH721V, website, http://www.kawpowr.com/4cycle/fh721v_specs.html, 1 page, Feb. 18, 2005.

Tecumseh Power Company, Walk-Behind Engines & Transmissions Horsepower Range: 3.5-7.0, website, <http://www.tecumsehpower.com/Products/WalkBehind/index.php>, 1 page, Feb. 18, 2005.

Honda Engines, Honda GC Series Engines, brochure, 2003, 10 pages, American Honda Motor Co., Inc.

Briggs & Stratton, 04 Engine Guide, brochure, 2003, 58 pages, Briggs & Stratton, Wauwatosa, Wisconsin, USA.

* cited by examiner

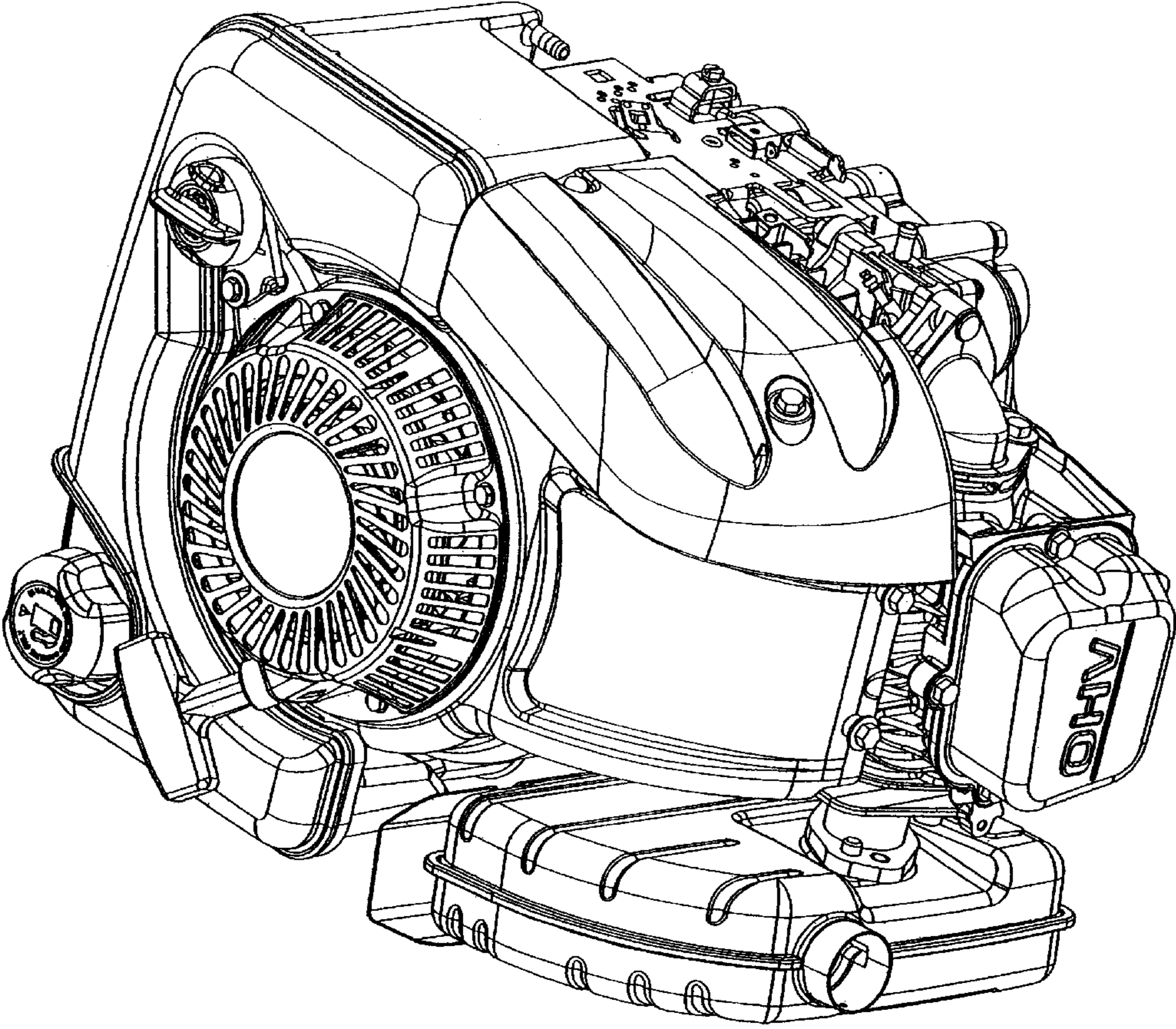


FIG. 1

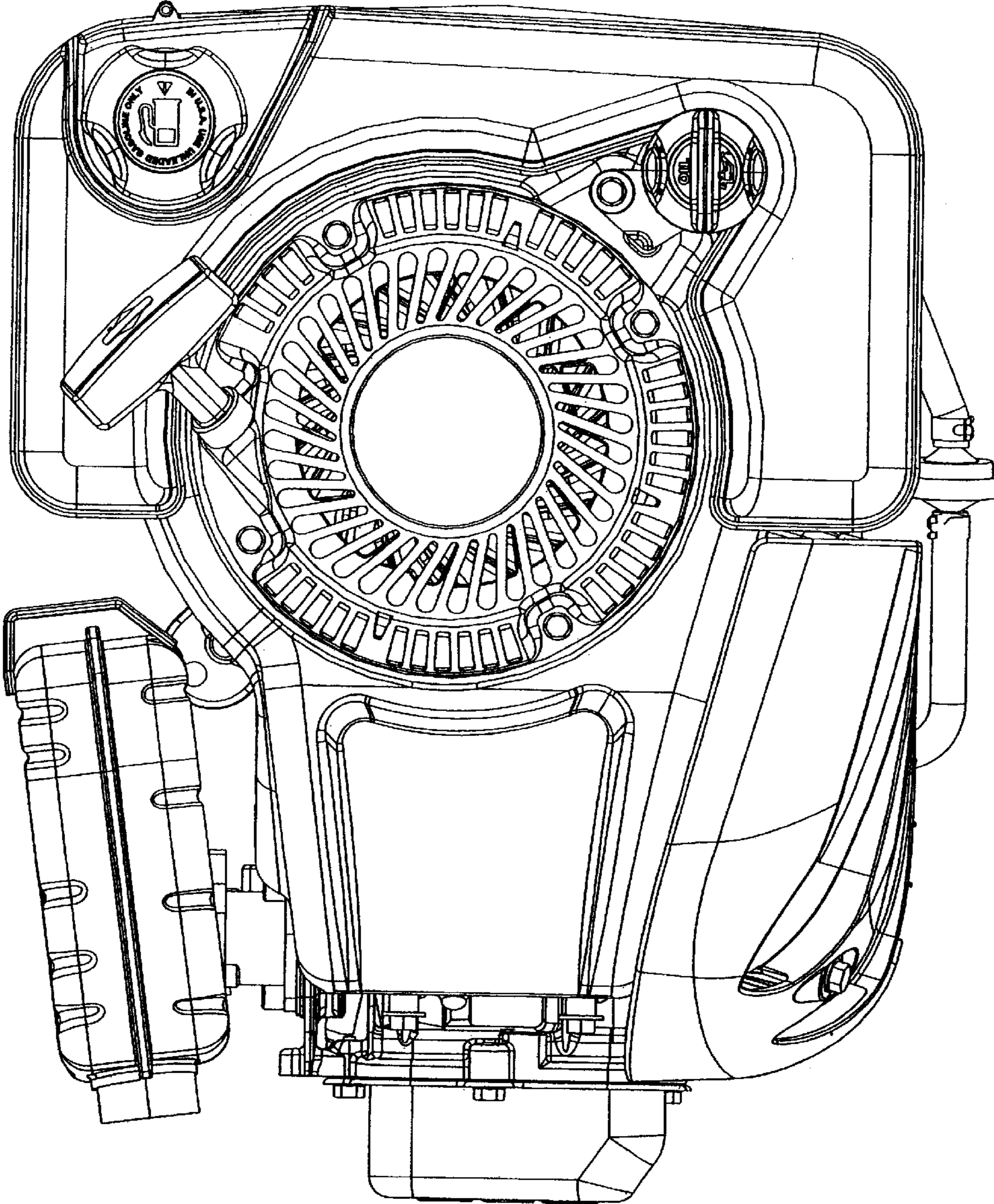


FIG. 2

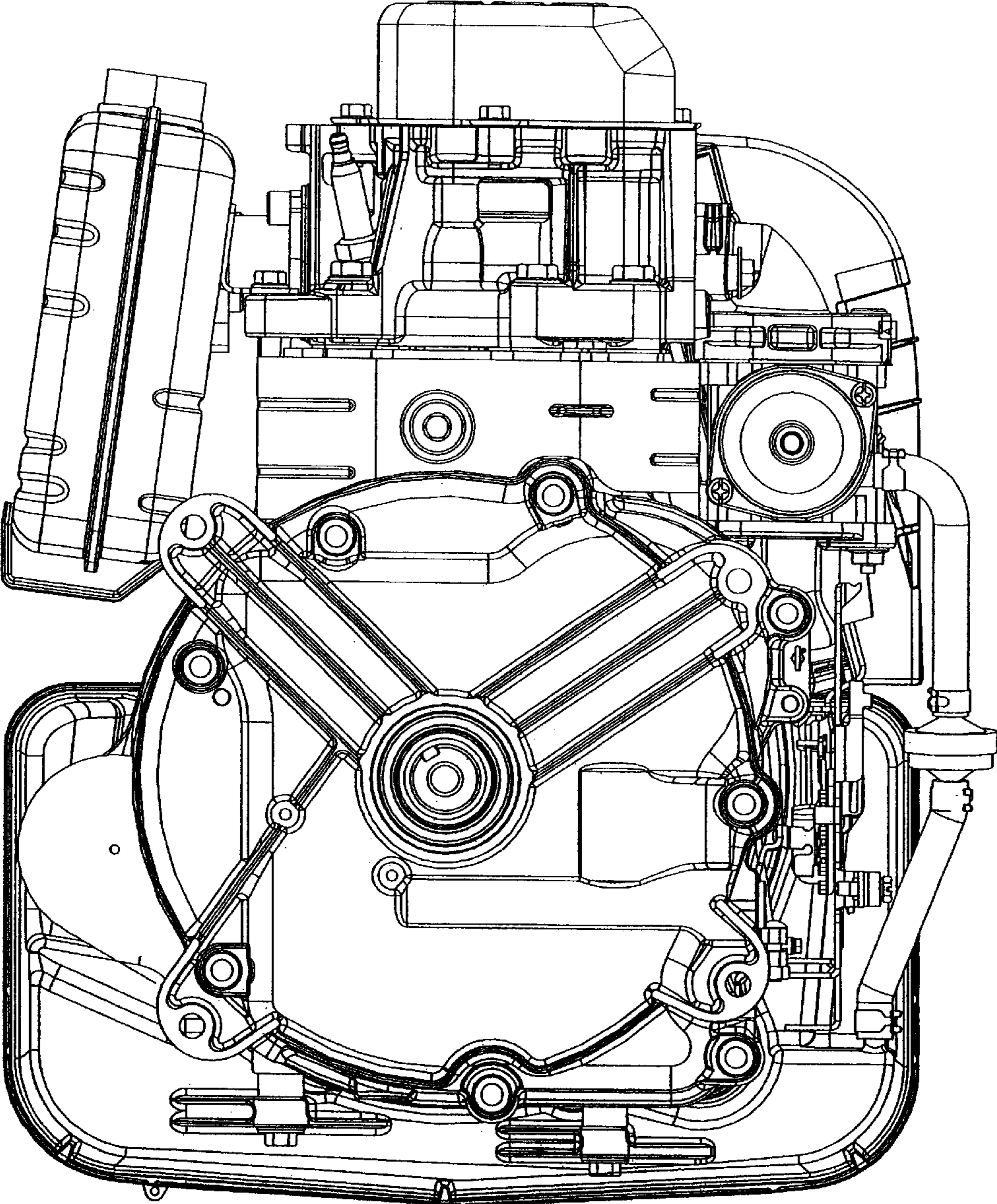


FIG. 3

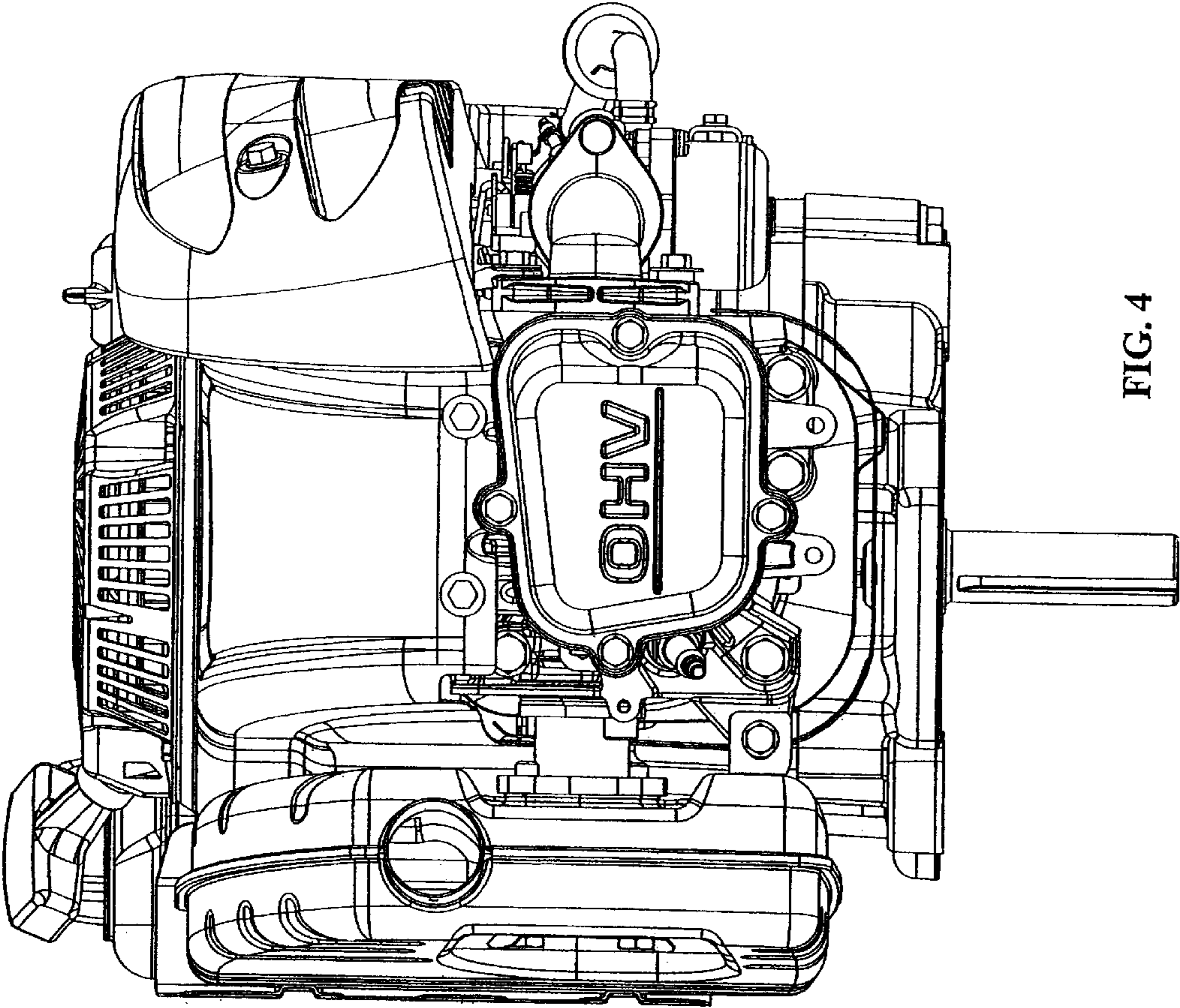


FIG. 4

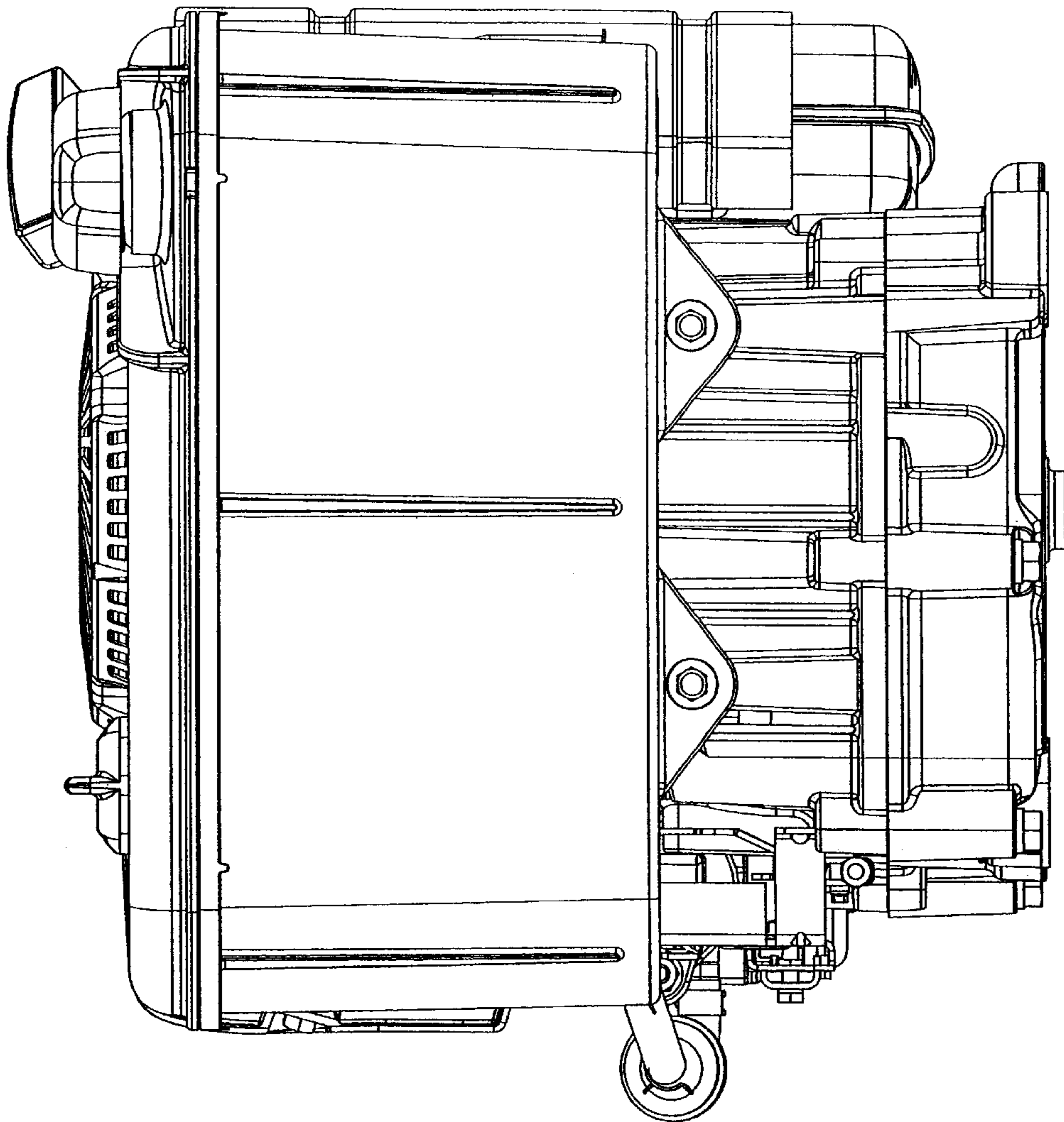


FIG. 5

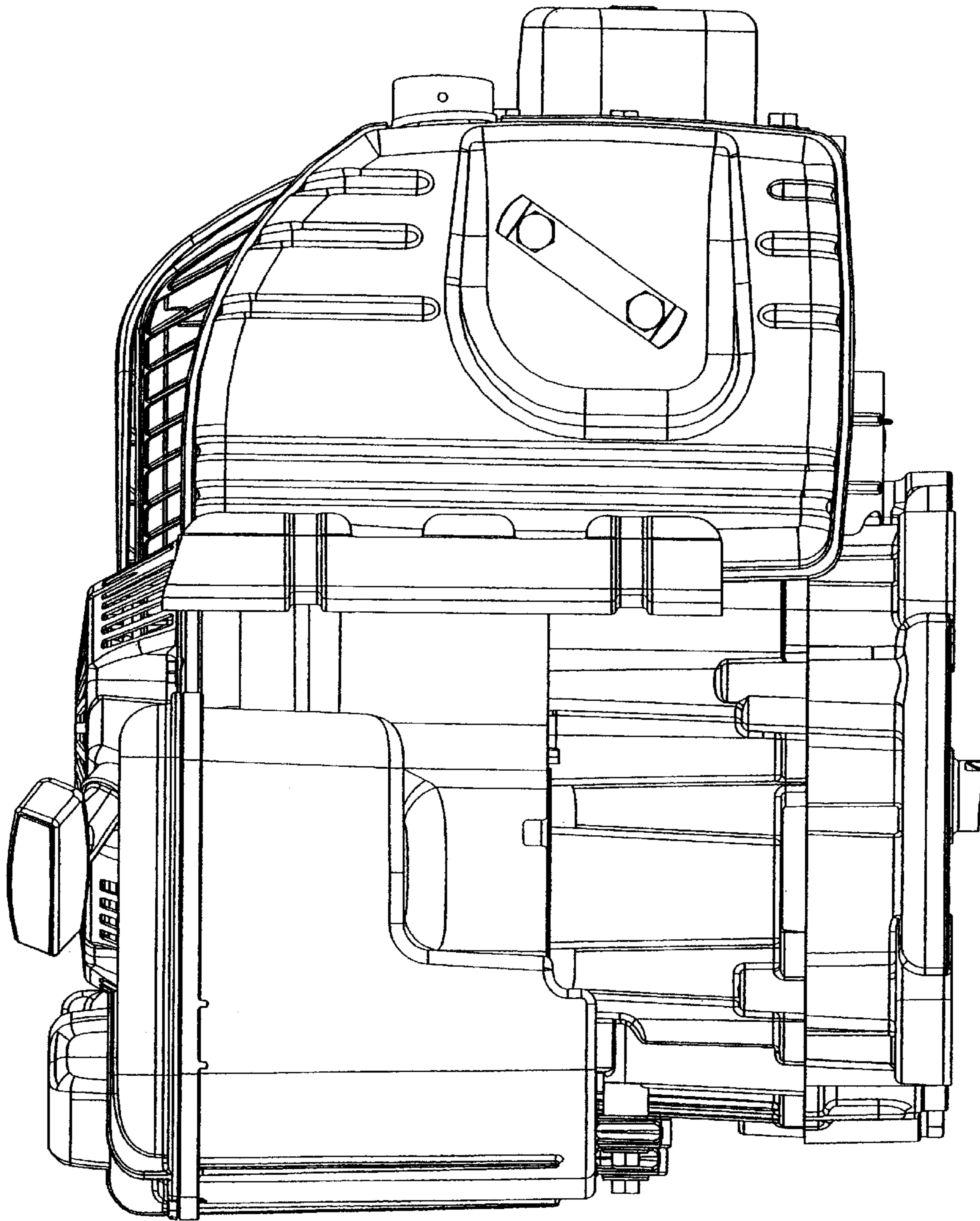


FIG. 6

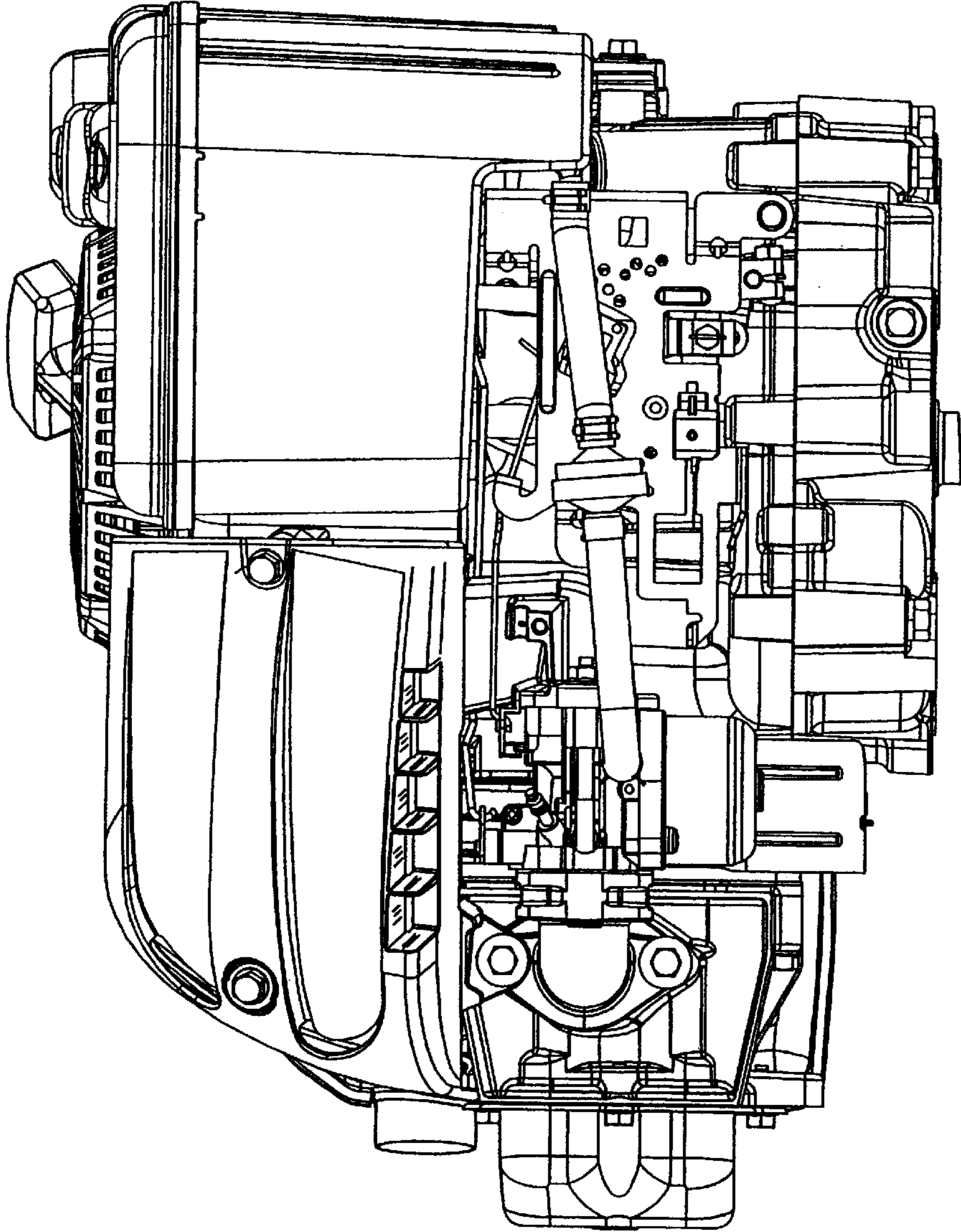


FIG. 7