



US00D531631S

(12) **United States Design Patent**  
**Andre et al.**

(10) **Patent No.:** **US D531,631 S**  
(45) **Date of Patent:** **\*\* Nov. 7, 2006**

(54) **DISPLAY DEVICE**

(75) Inventors: **Bartley K. Andre**, Menlo Park, CA (US); **Daniel J. Coster**, San Francisco, CA (US); **Daniele De Iuliis**, San Francisco, CA (US); **Richard P. Howarth**, San Francisco, CA (US); **Jonathan P. Ive**, San Francisco, CA (US); **Steve Jobs**, Palo Alto, CA (US); **Duncan Robert Kerr**, San Francisco, CA (US); **Shin Nishibori**, San Francisco, CA (US); **Matthew Dean Rohrbach**, San Francisco, CA (US); **Douglas B. Satzger**, Menlo Park, CA (US); **Calvin Q. Seid**, Palo Alto, CA (US); **Christopher J. Stringer**, Portola Valley, CA (US); **Eugene Antony Whang**, San Francisco, CA (US)

(73) Assignee: **Apple Computer, Inc.**, Cupertino, CA (US)

(\*\*) Term: **14 Years**

(21) Appl. No.: **29/208,301**

(22) Filed: **Jun. 24, 2004**

(51) **LOC (8) Cl.** ..... **14-02**

(52) **U.S. Cl.** ..... **D14/375**

(58) **Field of Classification Search** ..... D14/371-376, D14/125-129, 356; 248/917-924, 371; 341/12; 345/104, 156, 173, 174, 901-905; 348/180, 348/184, 325, 739; 349/1, 2, 11, 62  
See application file for complete search history.

(56) **References Cited**

U.S. PATENT DOCUMENTS

D289,873 S 5/1987 Gemmell et al.  
D294,262 S \* 2/1988 Thies et al. .... D14/375  
D428,415 S \* 7/2000 Shibata ..... D14/356  
D432,101 S \* 10/2000 Oba ..... D14/126

D434,763 S 12/2000 Jobs et al.  
D453,022 S \* 1/2002 Oba ..... D14/374  
D456,023 S 4/2002 Andre et al.  
D464,049 S \* 10/2002 Goto ..... D14/374  
D476,335 S \* 6/2003 Miao et al. .... D14/375  
D486,486 S 2/2004 Jobs et al.  
D487,893 S 3/2004 Jobs et al.  
D488,139 S \* 4/2004 Takami et al. .... D14/126  
D489,370 S 5/2004 Jobs et al.  
D491,901 S \* 6/2004 Chin et al. .... D14/126  
D494,971 S 8/2004 Jobs et al.  
D495,332 S 8/2004 Jobs et al.  
D496,040 S 9/2004 Jobs et al.  
D504,889 S 5/2005 Andre et al.  
2003/0189155 A1 \* 10/2003 Serbinski et al. .... 248/371

OTHER PUBLICATIONS

U.S. Appl. No. 29/208,332, filed Jun. 24, 2004.

\* cited by examiner

*Primary Examiner*—Freda S. Nunn

(74) *Attorney, Agent, or Firm*—Beyer Weaver & Thomas, LLP

(57) **CLAIM**

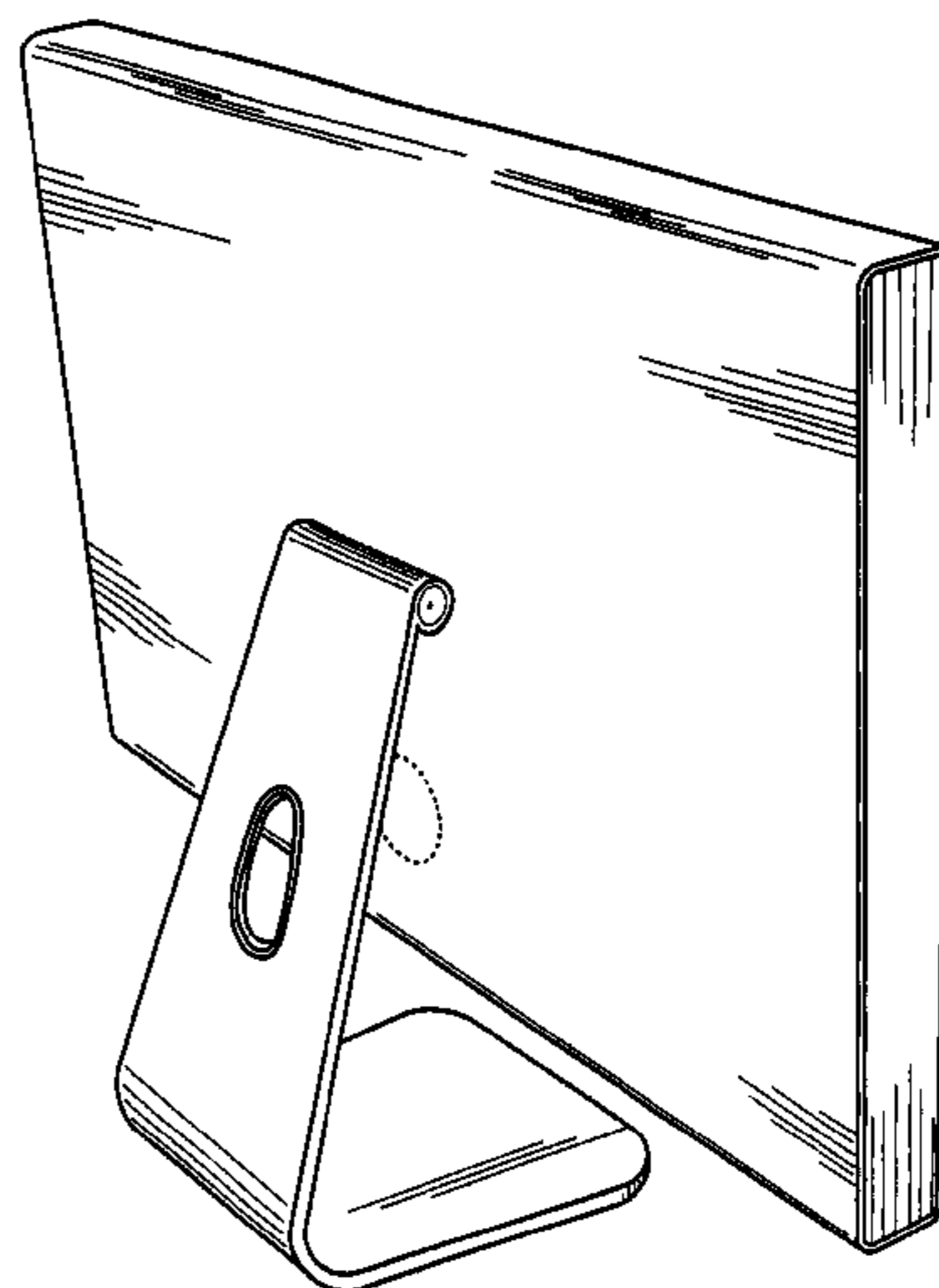
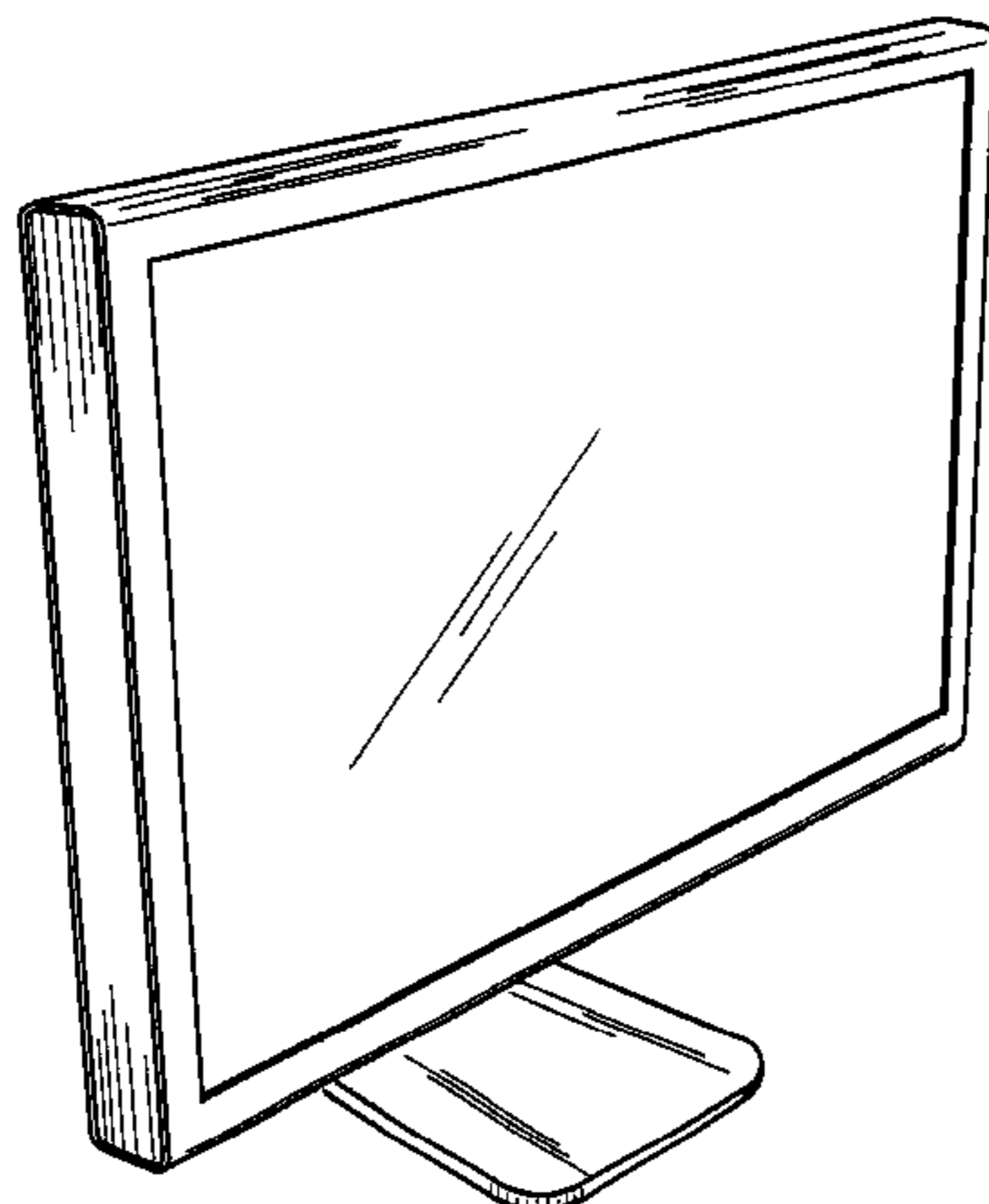
We claim the ornamental design for a display device, substantially as shown and described.

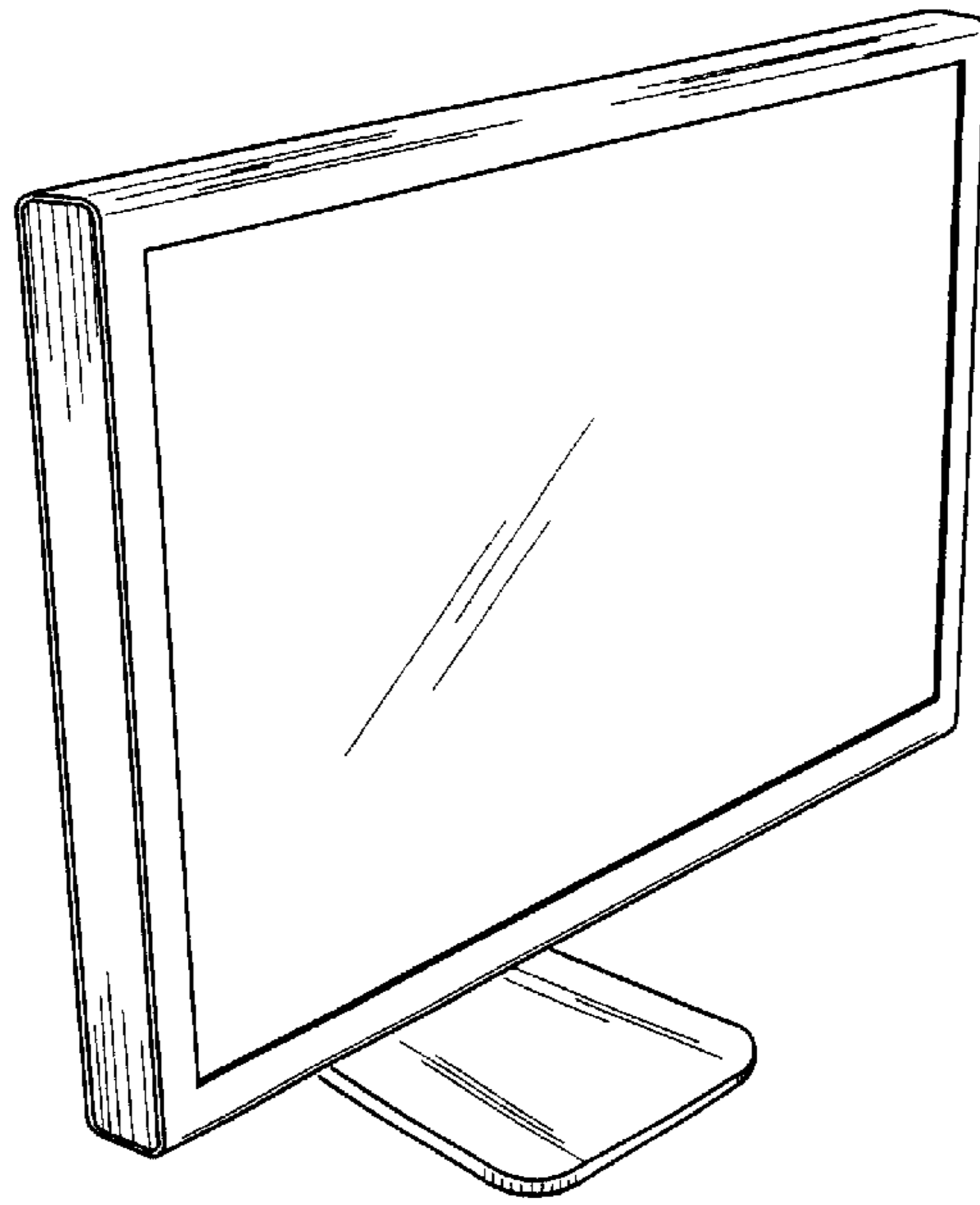
**DESCRIPTION**

FIG. 1 is a front perspective view of a display device in accordance with the present design. The display device may be a computer monitor;  
FIG. 2 is a rear perspective view thereof;  
FIG. 3 is a front view thereof;  
FIG. 4 is a rear view thereof;  
FIG. 5 is a top view thereof;  
FIG. 6 is a bottom view thereof;  
FIG. 7 is a right side view thereof; and,  
FIG. 8 is a left side view thereof.

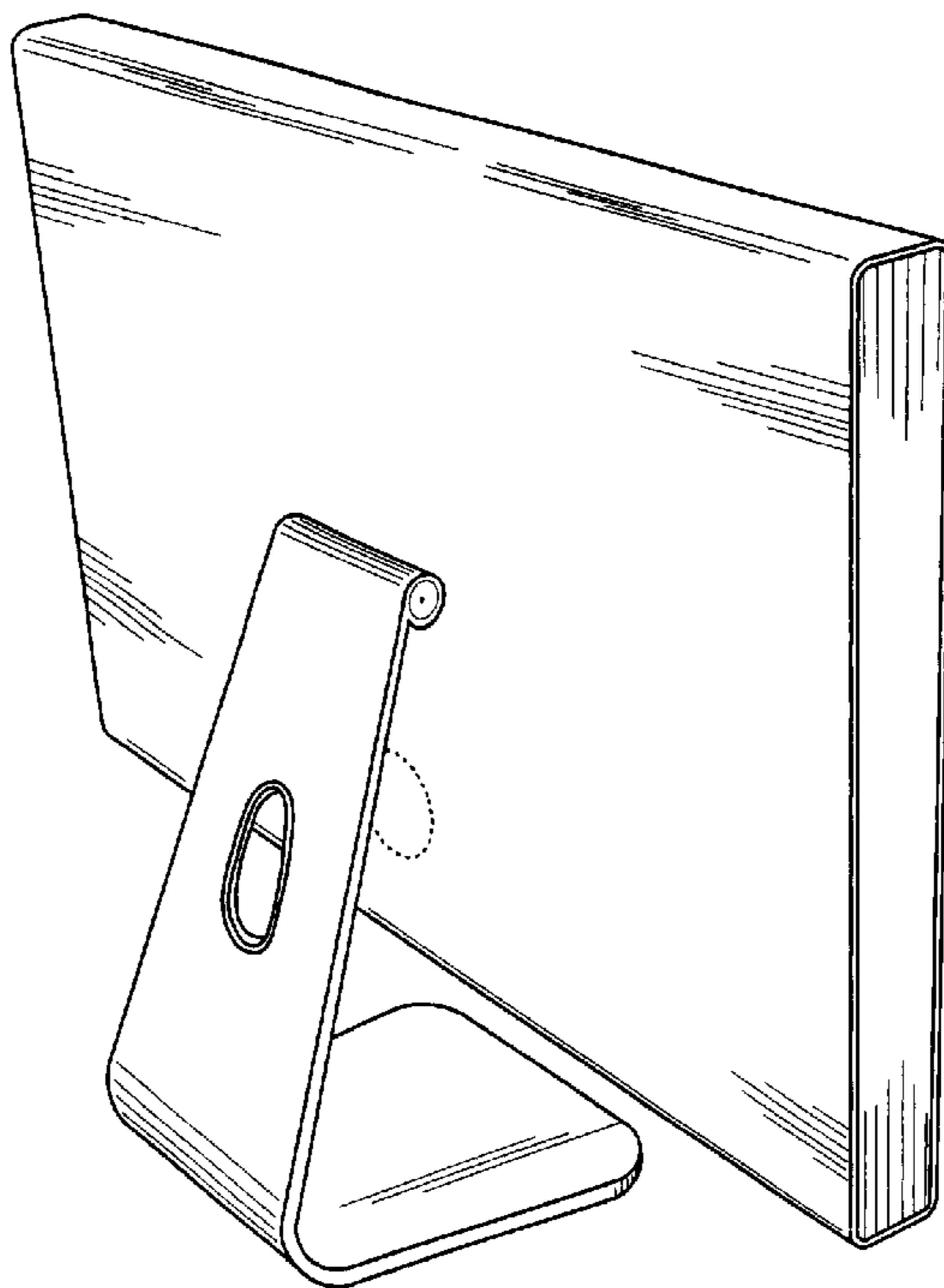
The broken lines are shown in the views for illustrative purposes only and form no part of the claimed design.

**1 Claim, 3 Drawing Sheets**

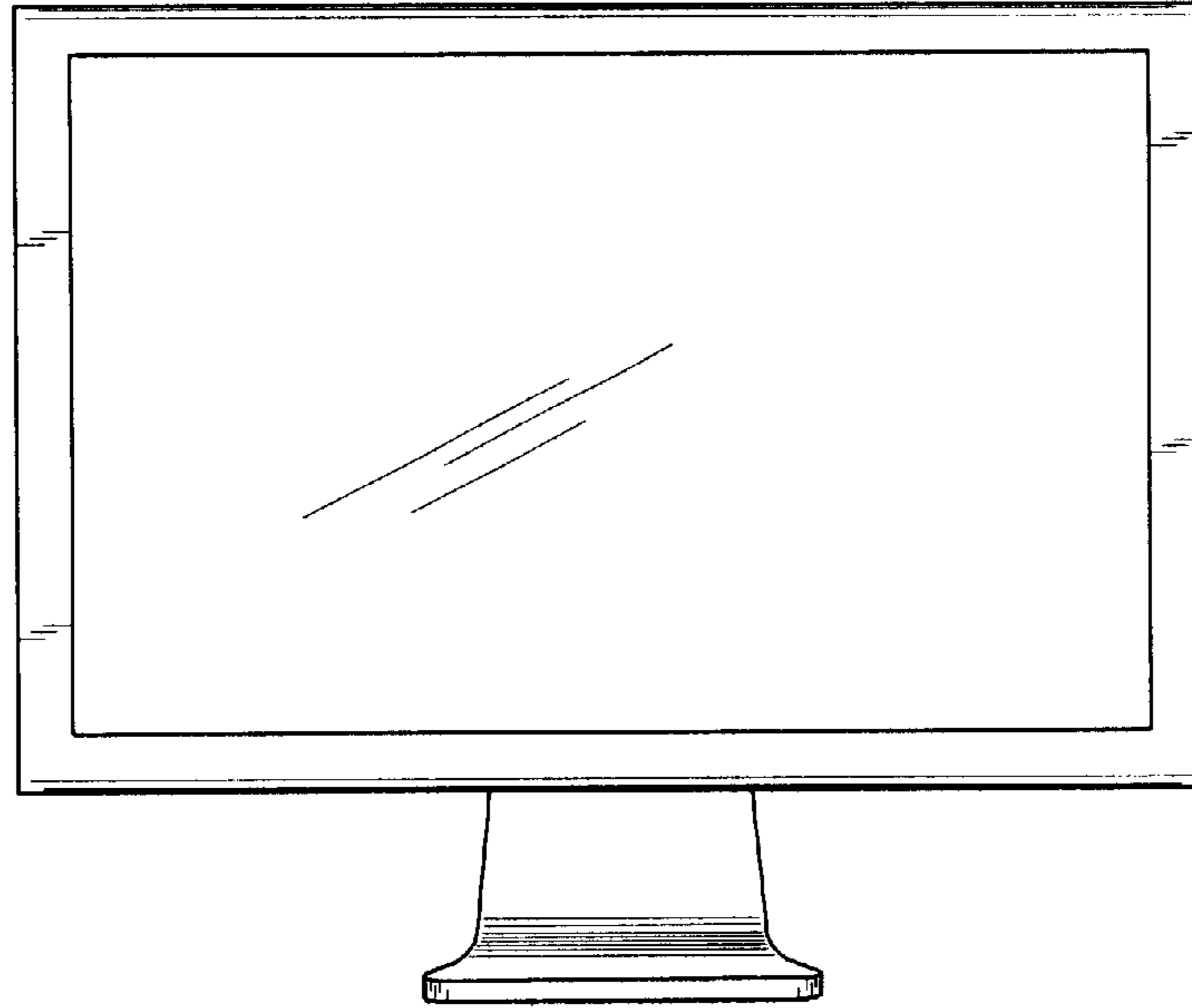




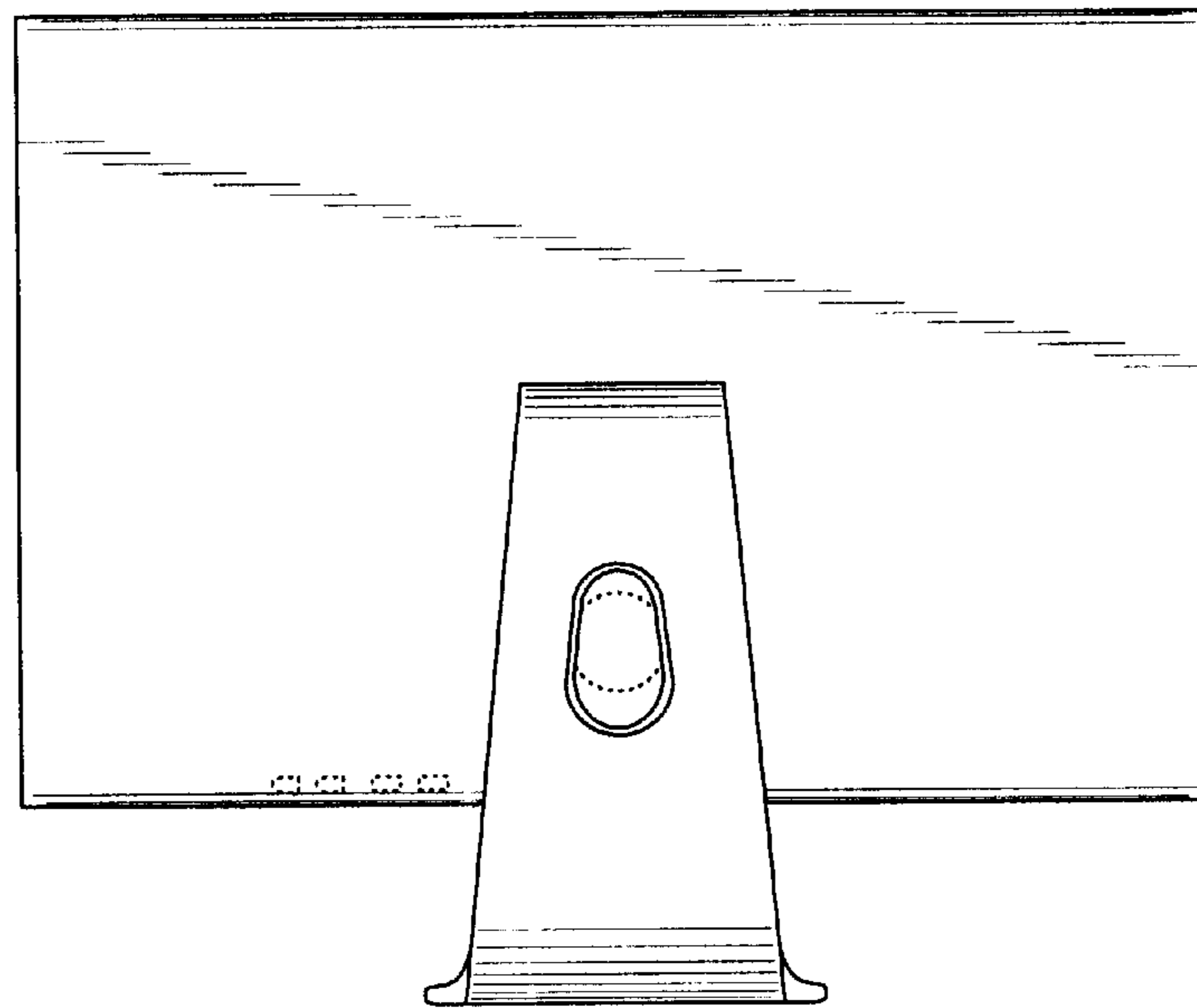
**FIG. 1**



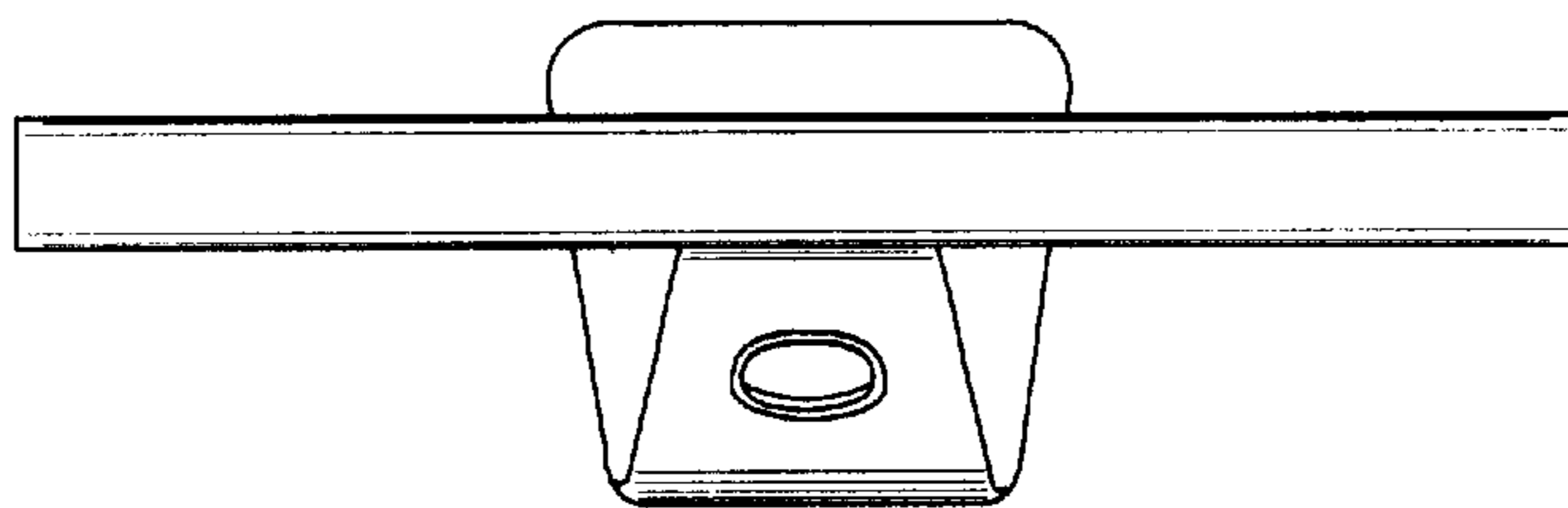
**FIG. 2**



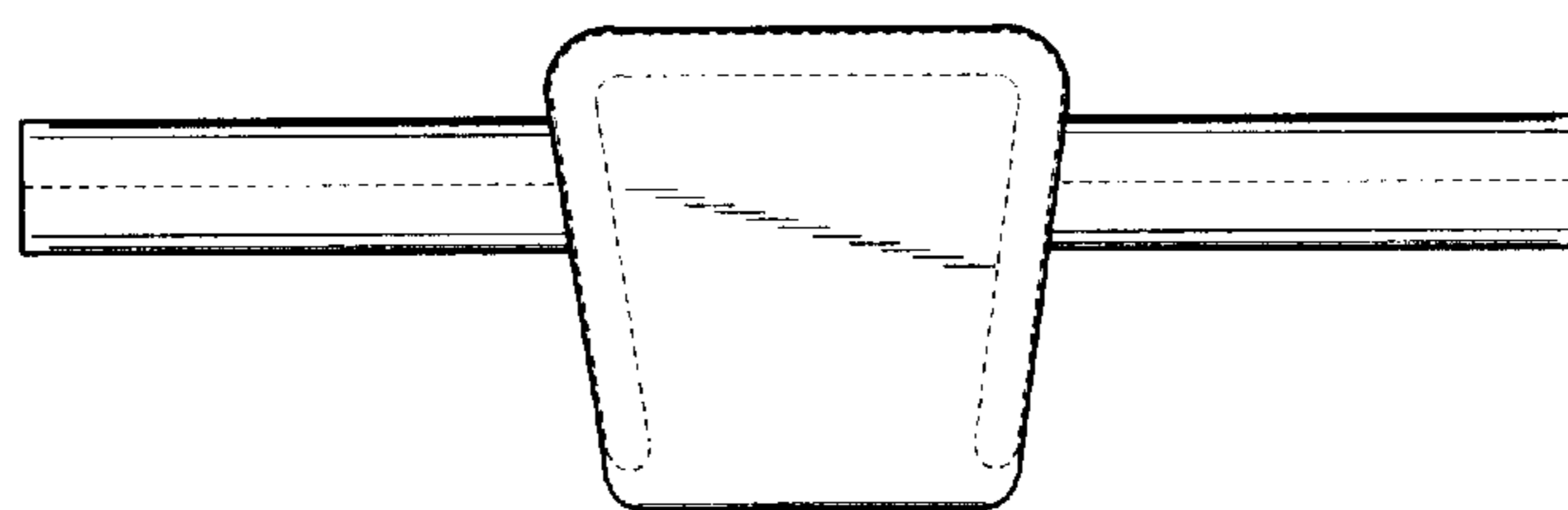
**FIG. 3**



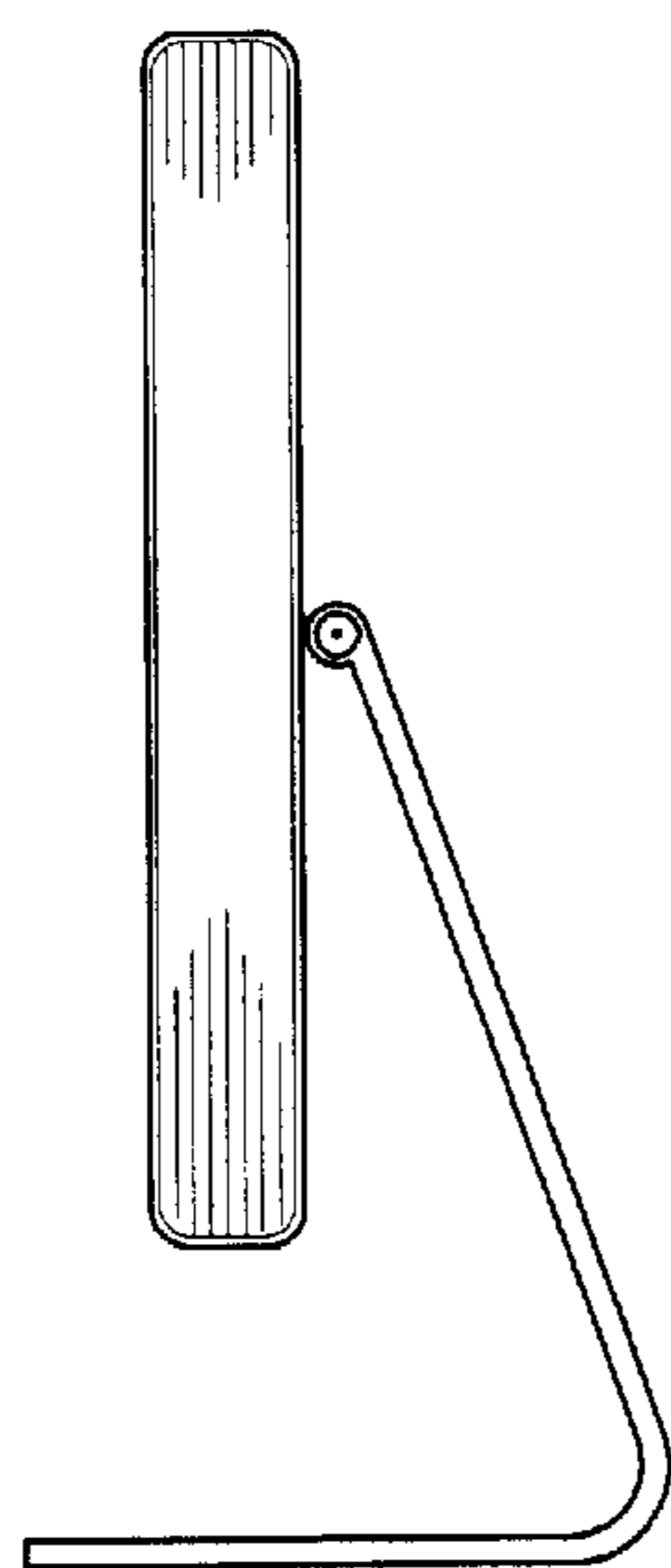
**FIG. 4**



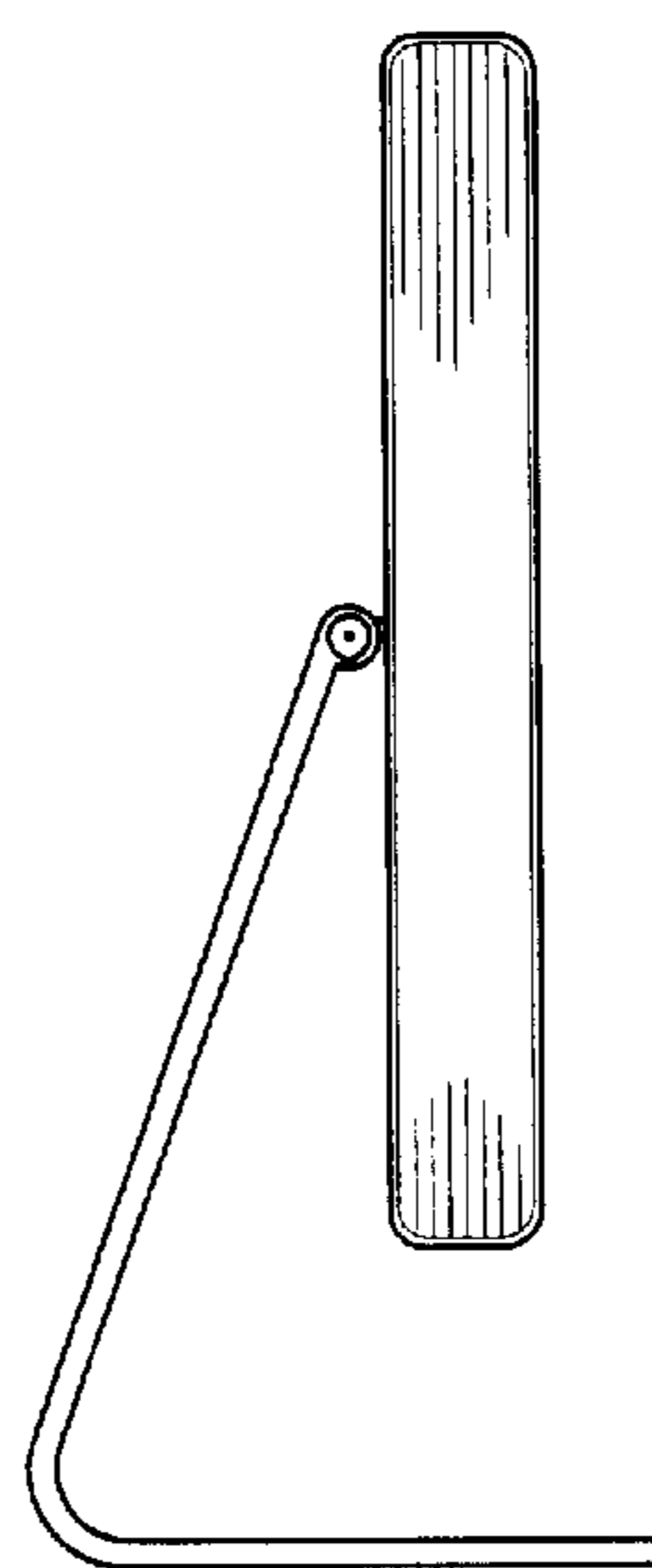
**FIG. 5**



**FIG. 6**



**FIG. 7**



**FIG. 8**