



US00D531627S

(12) **United States Design Patent**  
**Oono**

(10) **Patent No.:** **US D531,627 S**

(45) **Date of Patent:** **\*\* Nov. 7, 2006**

(54) **COMBINED DIGITAL DISK PLAYER AND RADIO TUNER FOR CAR AUDIO**

(75) Inventor: **Akio Oono**, Chofu (JP)

(73) Assignee: **Matsushita Electric Industrial Co., Ltd.**, Osaka (JP)

(\*\*) Term: **14 Years**

(21) Appl. No.: **29/242,697**

(22) Filed: **Nov. 14, 2005**

(51) **LOC (8) Cl.** ..... **14-03**

(52) **U.S. Cl.** ..... **D14/258**

(58) **Field of Classification Search** ..... D14/258,  
D14/257, 224, 217, 192, 188, 168, 167, 165,  
D14/164, 163, 162, 161, 160, 156, 154, 136,  
D14/135; 720/647, 655; 455/350, 347, 344;  
396/434; 360/99.06; 381/86  
See application file for complete search history.

D446,510 S	8/2001	Hori et al.	
D446,781 S	8/2001	Hori et al.	
D448,014 S	9/2001	Hori et al.	
D453,156 S	1/2002	Le Thellec	
D463,394 S	* 9/2002	Sogabe .....	D14/168
D471,886 S	3/2003	Nishii et al.	
D471,887 S	3/2003	Nishii et al.	
D475,691 S	6/2003	Nishii et al.	
D477,298 S	7/2003	Hori et al.	
D480,076 S	9/2003	Nose et al.	
D487,073 S	2/2004	Hori et al.	
D491,555 S	* 6/2004	Preissner .....	D14/224
D500,997 S	* 1/2005	Nakamura .....	D14/157
D514,077 S	* 1/2006	Haase et al. ....	D14/137
D521,991 S	* 5/2006	Storti et al. ....	D14/257
2003/0193871 A1	* 10/2003	Tobishima et al. ....	369/75.1
2005/0155049 A1	* 7/2005	Lu et al. ....	720/647

\* cited by examiner

*Primary Examiner*—Cathron C. Brooks

*Assistant Examiner*—Austin Murphy

(74) *Attorney, Agent, or Firm*—Brinks Hofer Gilson & Lione

(56) **References Cited**

**U.S. PATENT DOCUMENTS**

D263,584 S	* 3/1982	Castagna et al. ....	D14/258
D281,418 S	* 11/1985	Lewis et al. ....	D14/258
D313,023 S	12/1990	Kolenda et al.	
D315,560 S	* 3/1991	Yun .....	D14/157
D365,568 S	* 12/1995	Tokiyama .....	D14/258
D385,284 S	* 10/1997	Brenner .....	D14/258
D391,958 S	3/1998	Miyazawa et al.	
D400,529 S	11/1998	Kakizaki	
5,848,042 A	12/1998	Takahashi et al.	
D407,394 S	3/1999	Oh	
D407,704 S	4/1999	Ichijima et al.	
D417,871 S	* 12/1999	Hisatsune .....	D14/188
D428,865 S	8/2000	Nishiwaki et al.	
D430,123 S	8/2000	Shinohara et al.	
D430,552 S	9/2000	Nose	
D438,520 S	3/2001	Nose et al.	
D442,571 S	5/2001	Nose	
D444,146 S	6/2001	Weiland et al.	
D445,775 S	7/2001	Hori et al.	

(57) **CLAIM**

The ornamental design for a combined digital disk player and radio tuner for car audio, as shown and described.

**DESCRIPTION**

FIG. 1 is a top perspective view of a combined digital disk player and radio tuner for car audio of the present invention; FIG. 2 is a front view thereof; FIG. 3 is a first side view thereof; FIG. 4 is a second side view thereof; FIG. 5 is a top view thereof; FIG. 6 is a bottom view thereof; and, FIG. 7 is a rear view thereof.

The ornamental design which is claimed is shown in solid lines in the drawings. Any broken lines in the drawings are for illustrative purposes only and form no part of the claimed design.

**1 Claim, 3 Drawing Sheets**

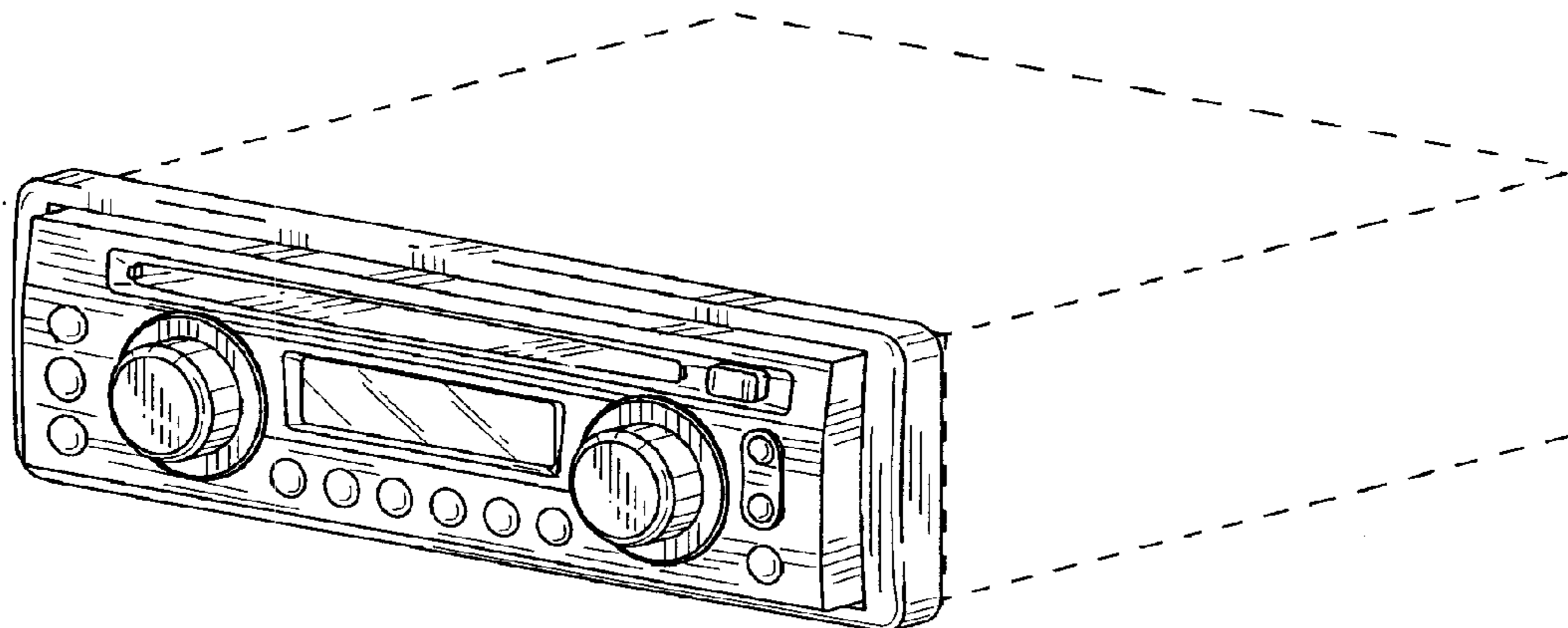


FIG. 1

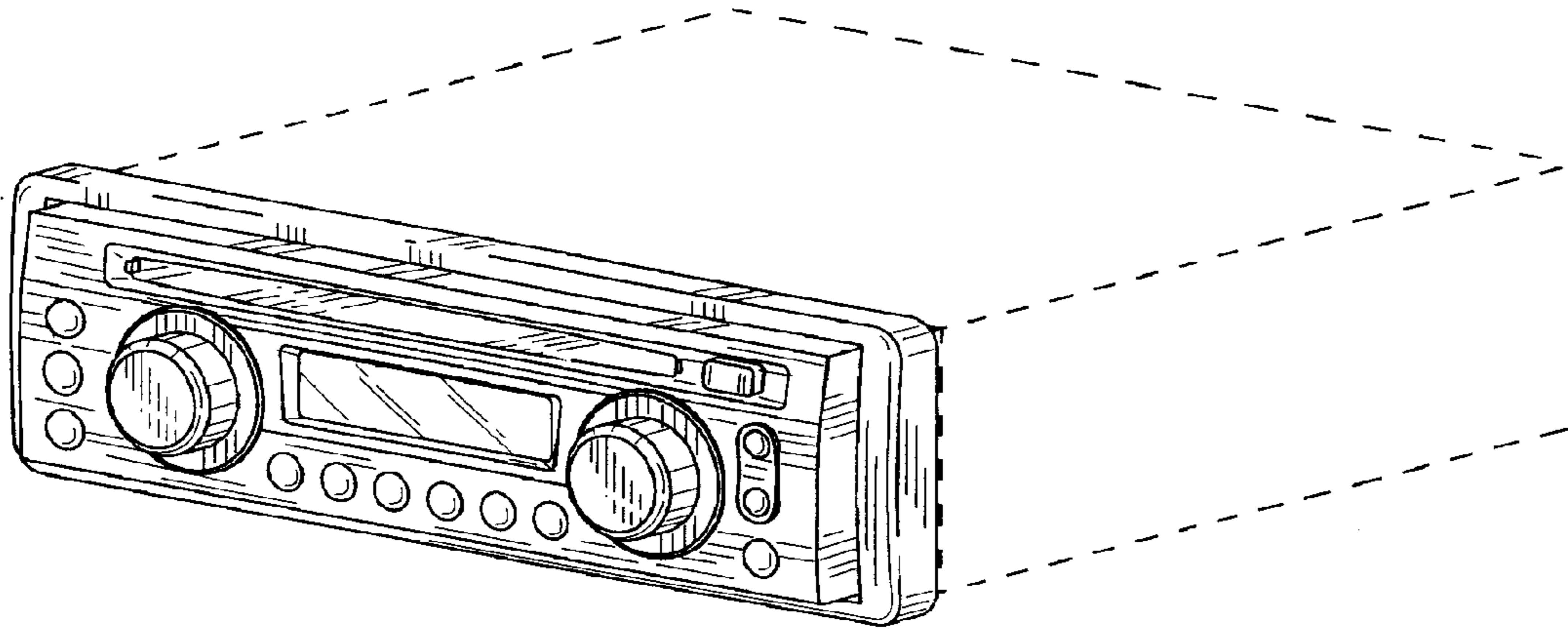


FIG. 2

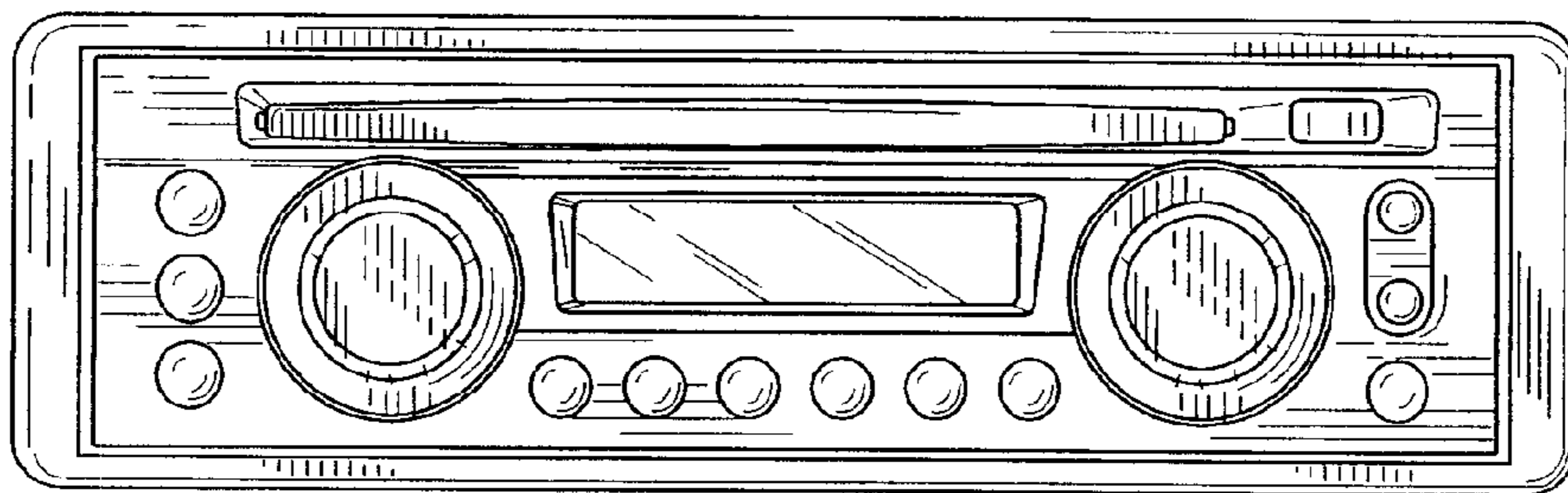


FIG. 3

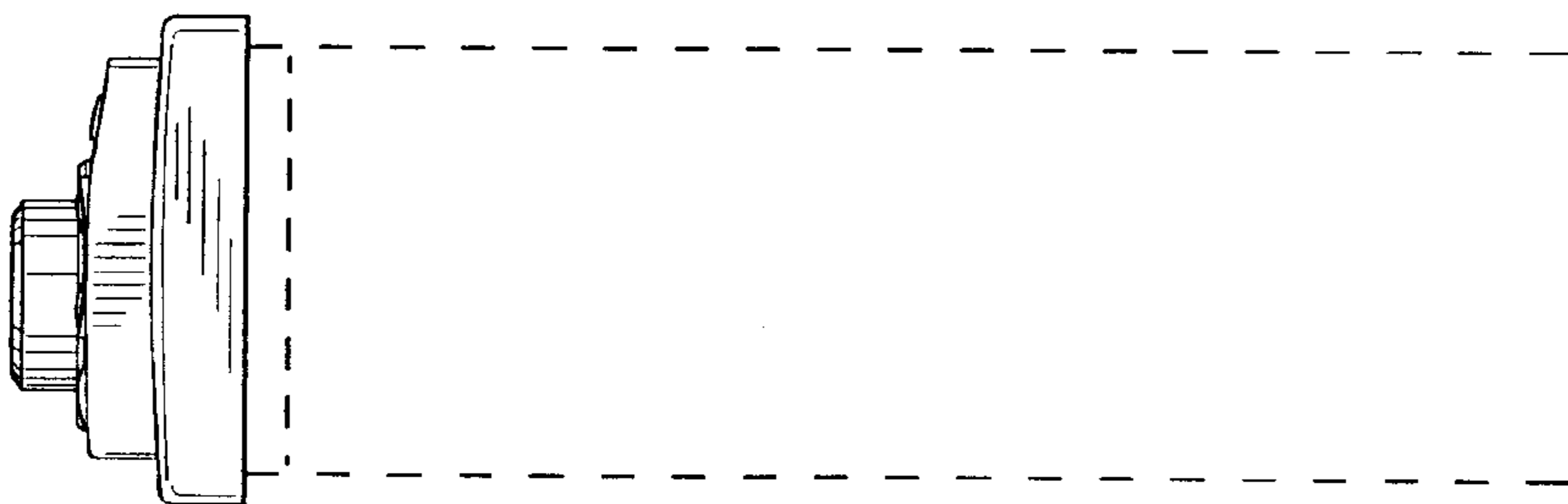


FIG.4



FIG.5

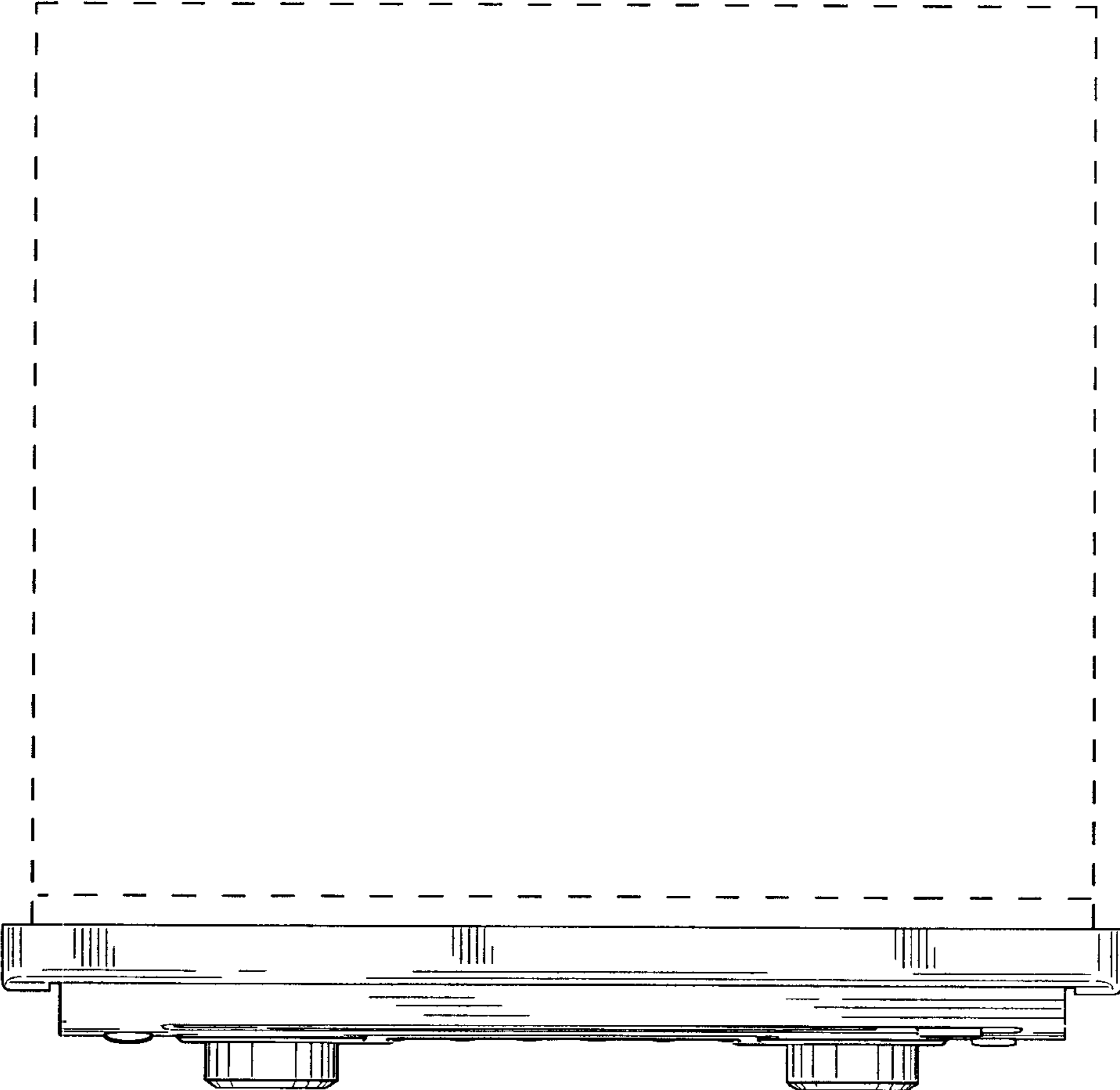


FIG.6

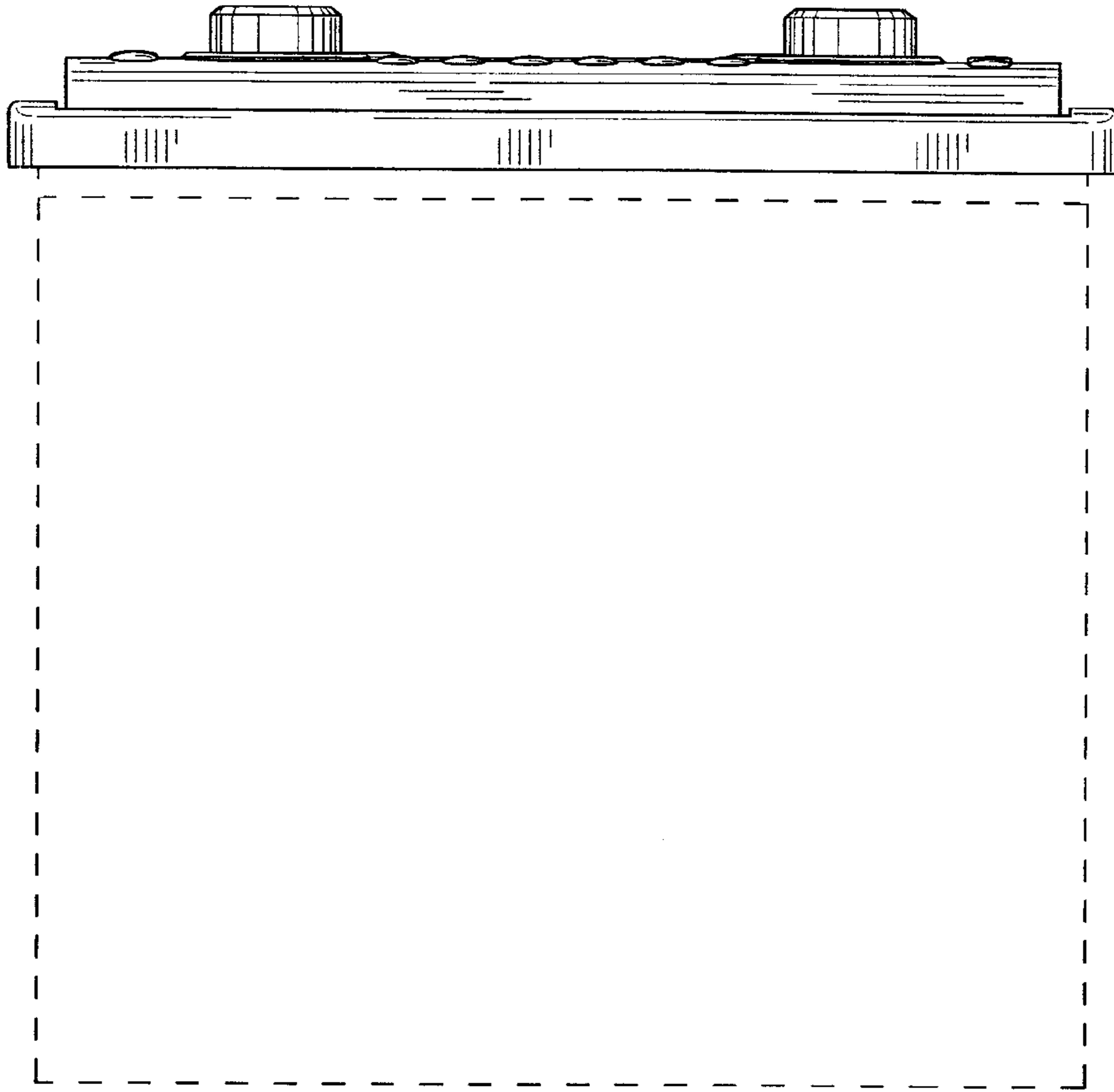


FIG.7

