



US00D531623S

(12) **United States Design Patent**
Griffin

(10) **Patent No.:** **US D531,623 S**

(45) **Date of Patent:** **** Nov. 7, 2006**

(54) **REMOTE CONTROL RECEIVER WHICH IS CONNECTABLE TO A COMPUTER OR AN MP3 PLAYER DEVICE**

D417,201 S * 11/1999 Davis D14/343
D453,324 S * 2/2002 Sawai D13/165

* cited by examiner

(76) Inventor: **Paul Griffin**, 2846 Polo Club Rd.,
Nashville, TN (US) 37221

Primary Examiner—Catherine R. Oliver

Assistant Examiner—John Windmuller

(**) Term: **14 Years**

(74) *Attorney, Agent, or Firm*—Michael E. McKee

(21) Appl. No.: **29/229,818**

(57) **CLAIM**

(22) Filed: **May 12, 2005**

The ornamental design for a remote control receiver which is connectable to a computer or an MP3 player device, as shown and described.

(51) **LOC (8) Cl.** **14-03**

(52) **U.S. Cl.** **D14/230**

(58) **Field of Classification Search** D14/343,
D14/137, 138, 230–238, 299, 358; D12/42,
D12/43; 343/700 R–705, 871–908, 795,
343/840, 711–713, 819, 846; 455/90.2, 90.3,
455/91, 128, 269, 344, 347, 562.1

DESCRIPTION

See application file for complete search history.

FIG. 1 is a top view of a remote control receiver showing my new design;

FIG. 2 is a side elevational view thereof as seen from the left in FIG. 1;

FIG. 3 is a bottom view thereof;

FIG. 4 is a side elevational view thereof as seen from the right in FIG. 1;

FIG. 5 is a rear elevational view thereof; and,

FIG. 6 is a front elevational view thereof.

(56) **References Cited**

U.S. PATENT DOCUMENTS

D311,740 S * 10/1990 Wagner D14/358

1 Claim, 2 Drawing Sheets

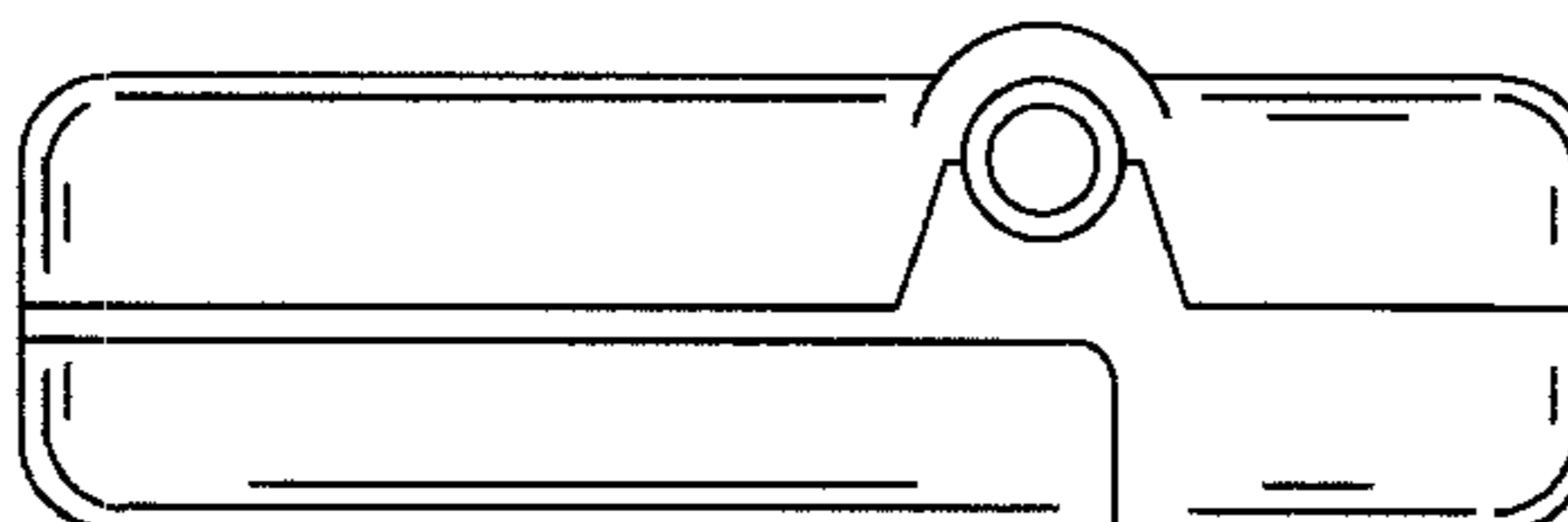
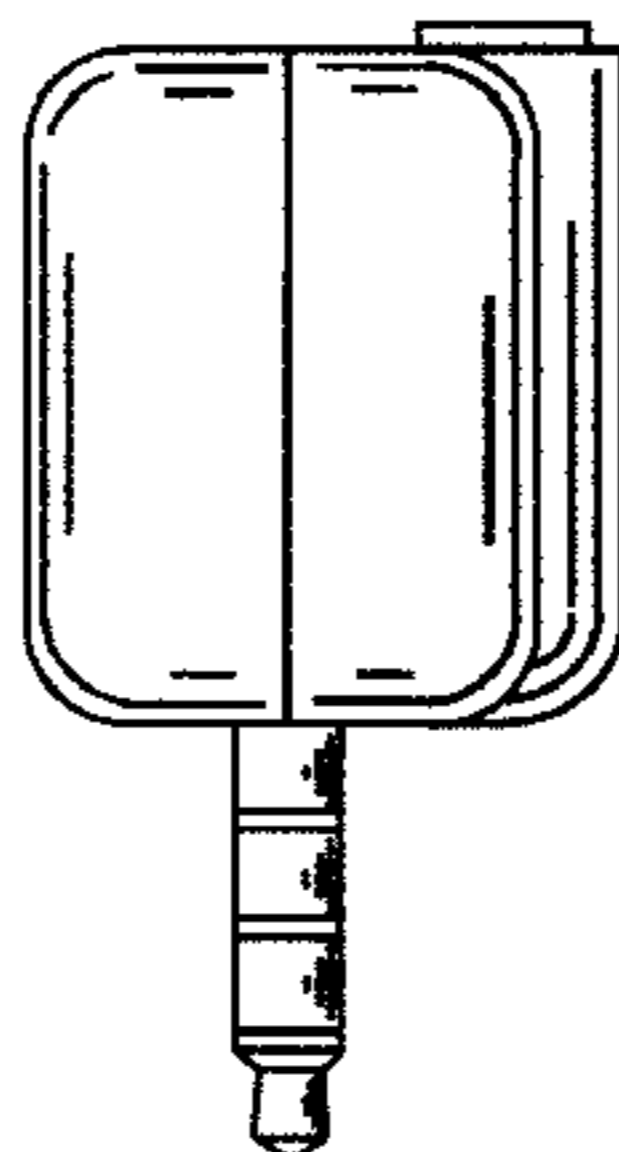
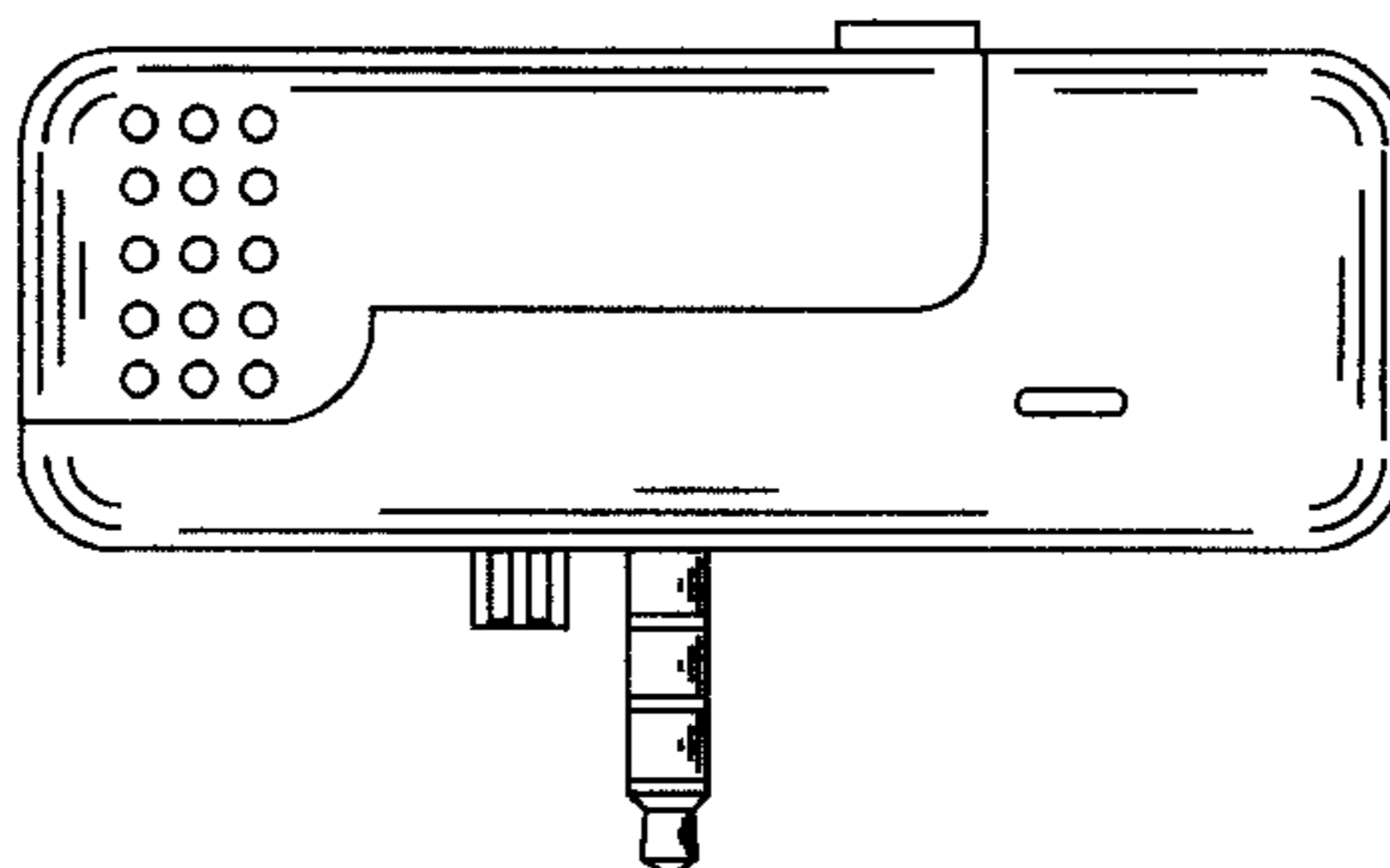


FIG. 1

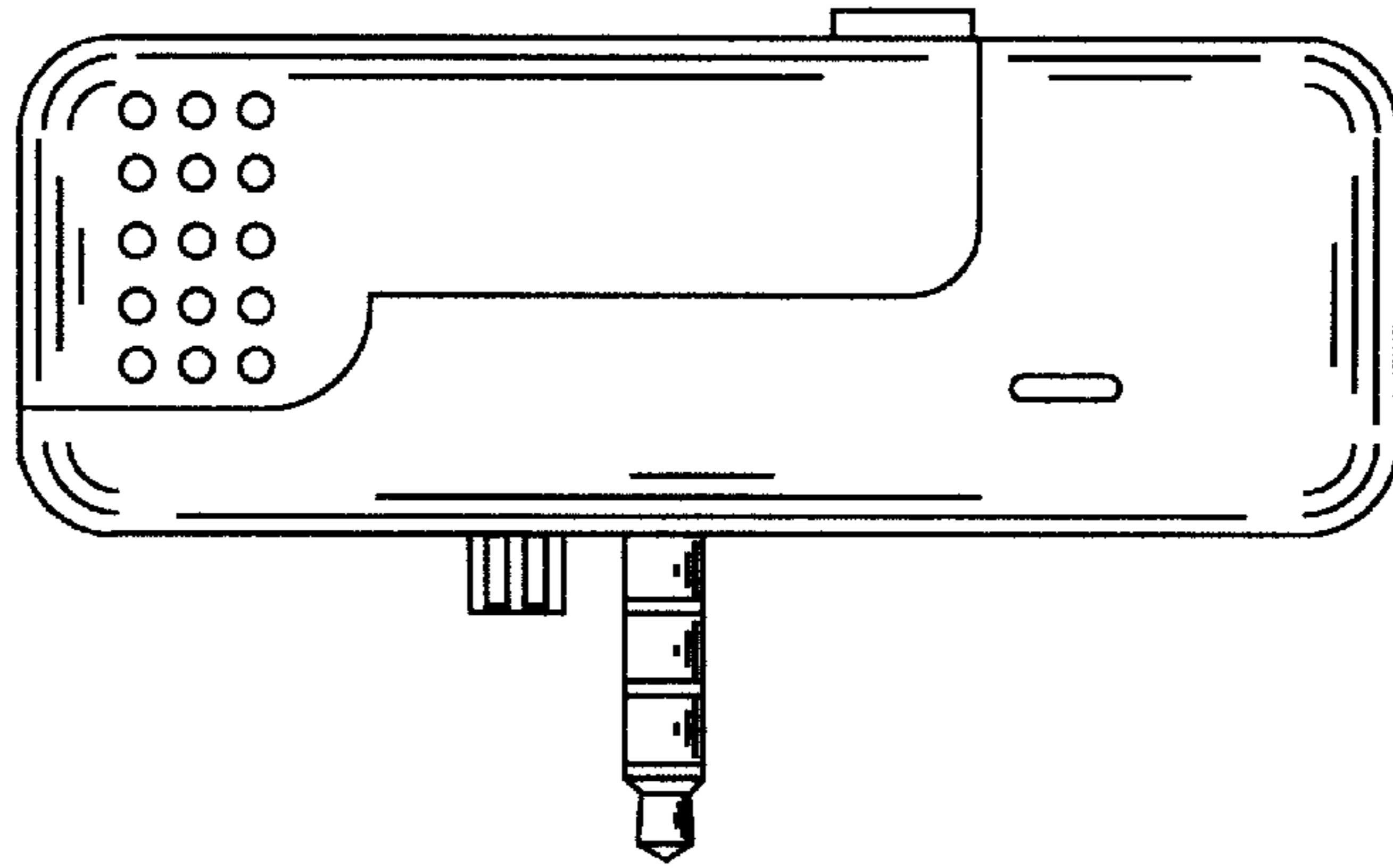


FIG. 2

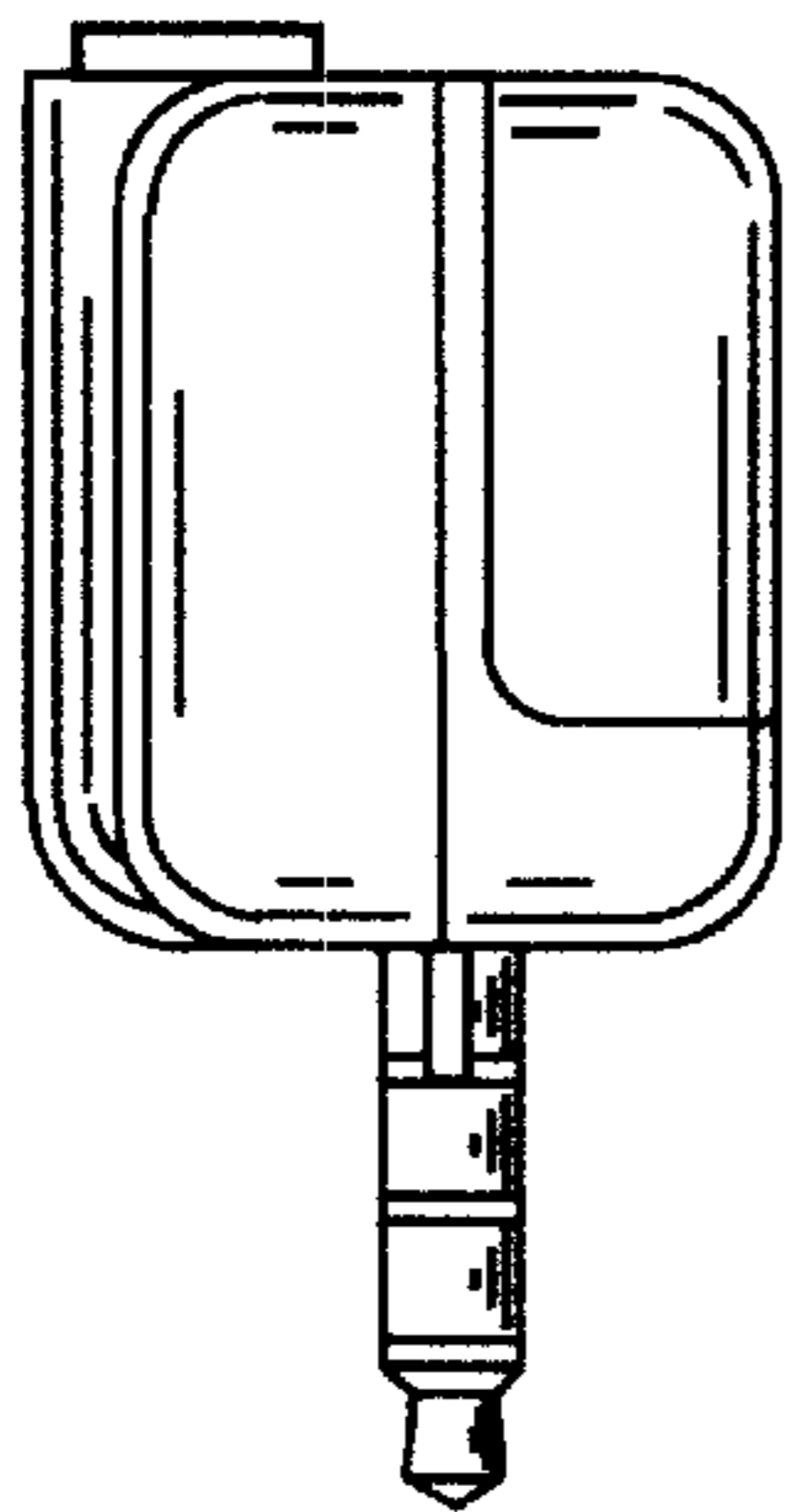


FIG. 4

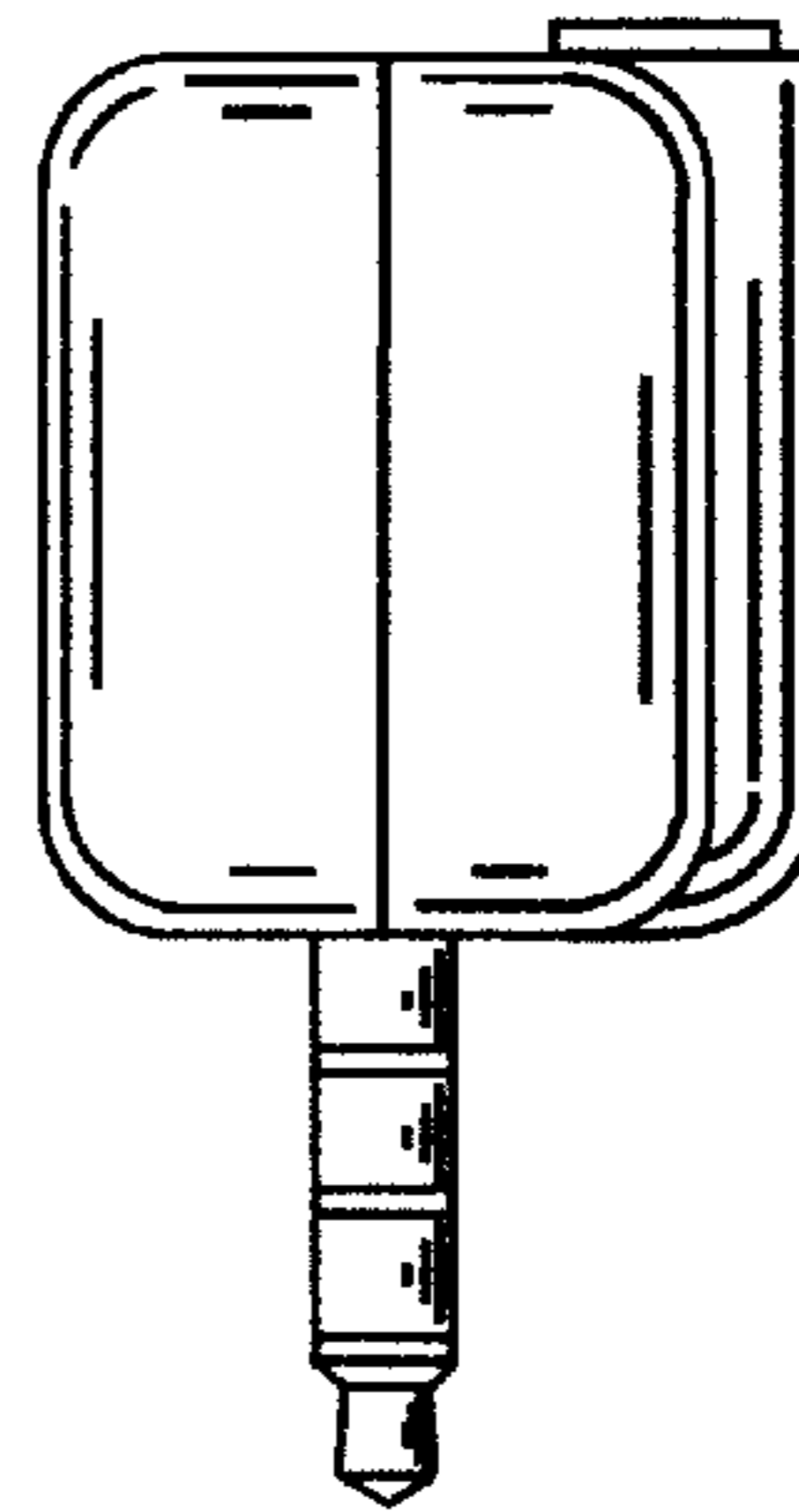


FIG. 3

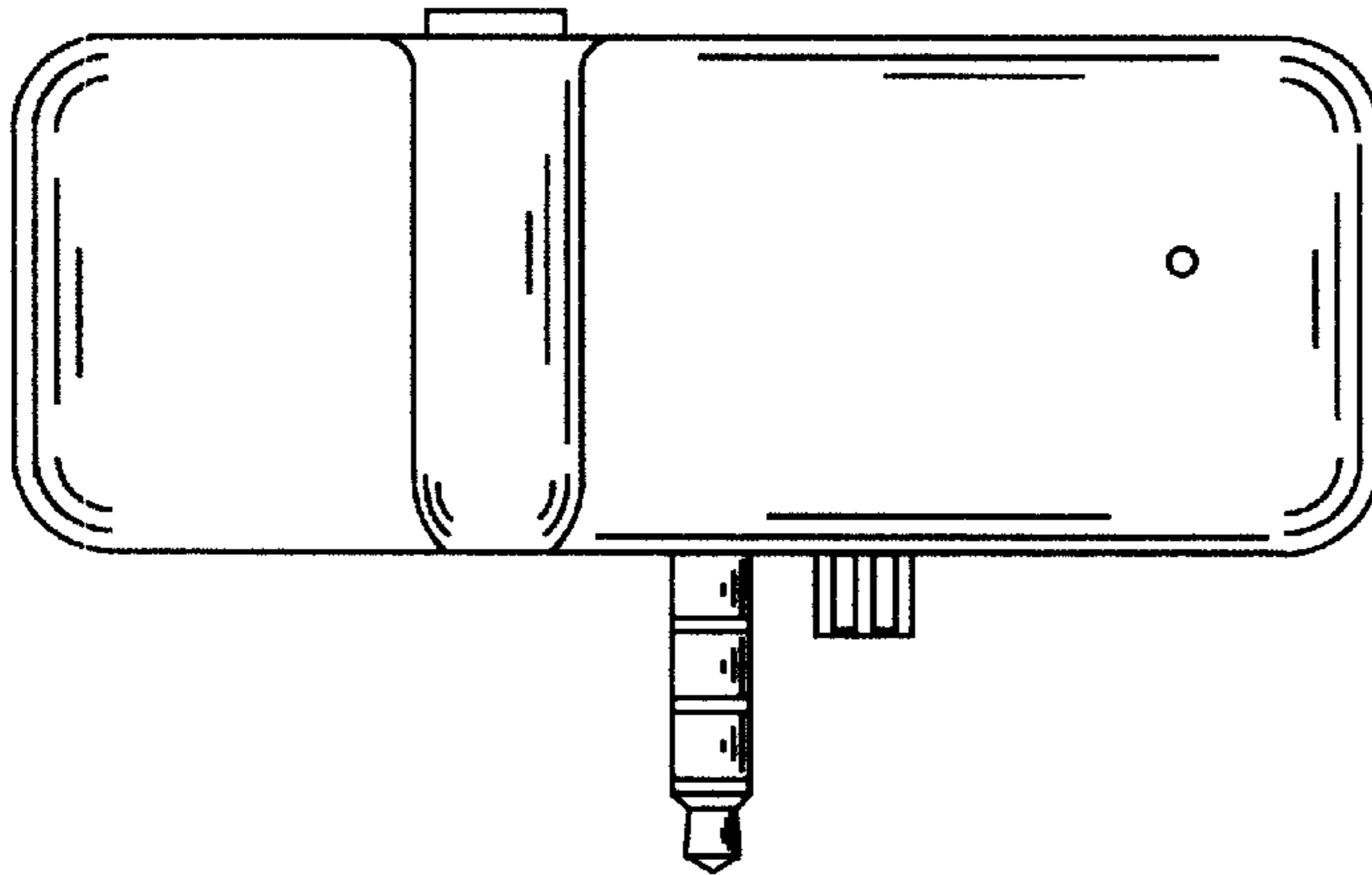


FIG. 5

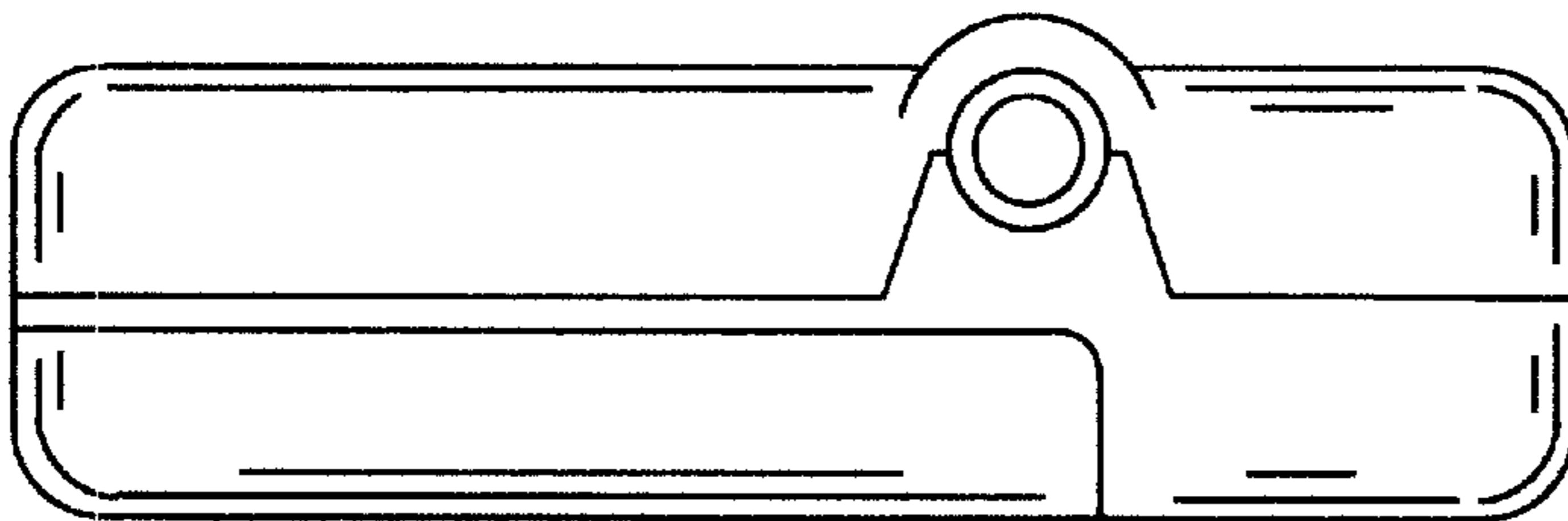


FIG. 6

