



US00D531622S

(12) **United States Design Patent**
Chen et al.

(10) **Patent No.:** **US D531,622 S**
(45) **Date of Patent:** **** Nov. 7, 2006**

(54) **ANTENNA**

D456,388 S * 4/2002 Hwang D14/230

(75) Inventors: **Li-Sen Chen**, Taoyuan Hsien (TW);
Yen-Jang Liao, Taoyuan Hsien (TW);
Chien-Yu Hsu, Taoyuan Hsien (TW)

* cited by examiner

(73) Assignee: **Speed Tech Corp.**, Taoyuan Hsien (TW)

Primary Examiner—Robert A. Delehanty
Assistant Examiner—John Windmuller
(74) *Attorney, Agent, or Firm*—Birch, Stewart, Kolasch & Birch, LLP

(**) Term: **14 Years**

(57) **CLAIM**

(21) Appl. No.: **29/218,802**

The ornamental design for an antenna, as shown.

(22) Filed: **Dec. 8, 2004**

DESCRIPTION

(51) **LOC (8) Cl.** **14-03**
(52) **U.S. Cl.** **D14/230**
(58) **Field of Classification Search** D14/137,
D14/138, 230–238, 299, 358; D12/42, 43;
343/700 R–705, 871–908, 795, 840, 711–713,
343/819, 846; 455/90.2, 90.3, 91, 128, 269,
455/344, 347, 562.1

FIG. 1 is a perspective view of an antenna showing our new design;
FIG. 2 is a front elevation view thereof;
FIG. 3 is a rear elevation view thereof;
FIG. 4 is a left side elevation view thereof;
FIG. 5 is a right side elevation view thereof;
FIG. 6 is a top plan view thereof; and,
FIG. 7 is a bottom plan view thereof.

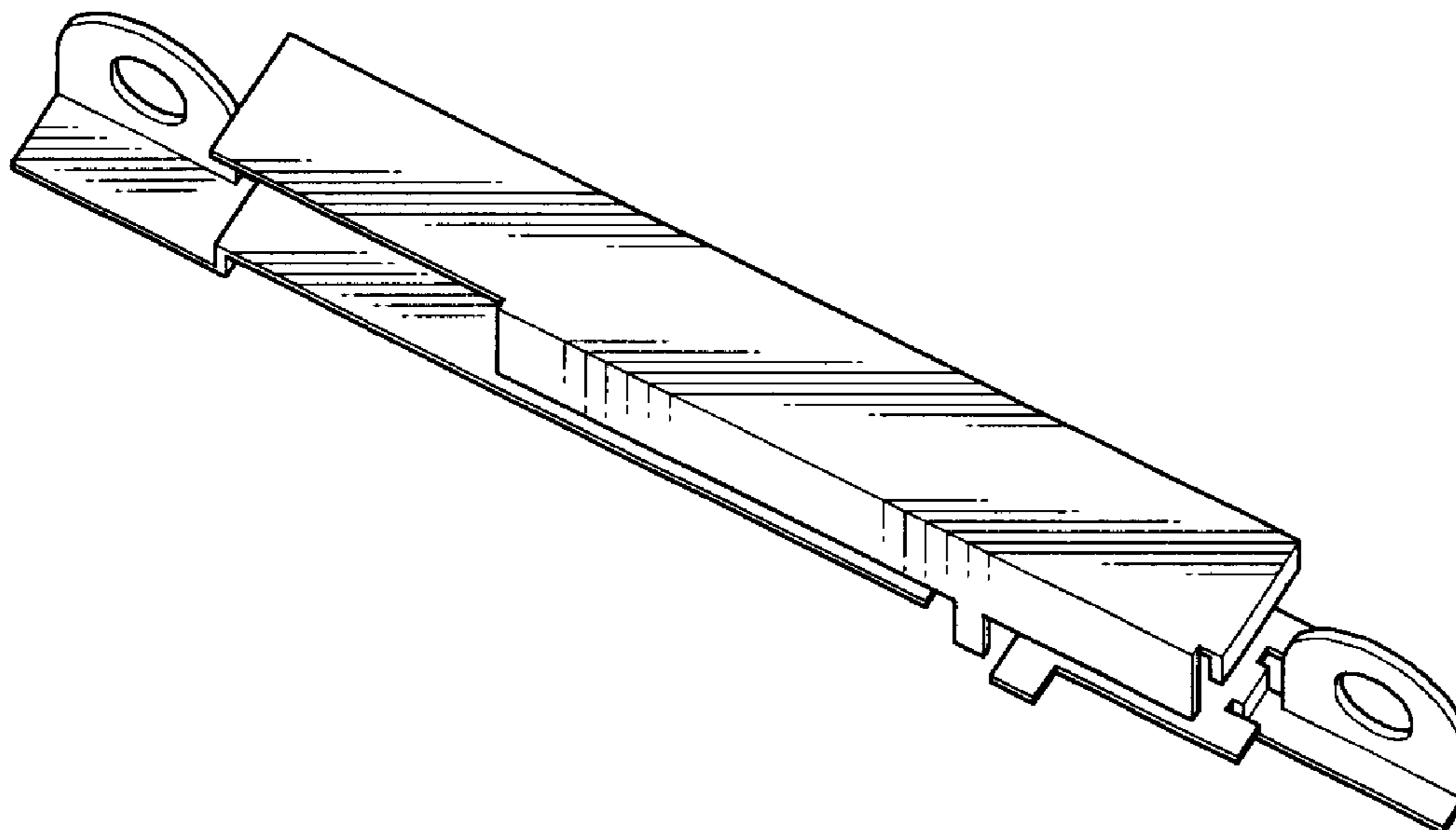
See application file for complete search history.

(56) **References Cited**

U.S. PATENT DOCUMENTS

D424,063 S * 5/2000 Kudo D14/230

1 Claim, 4 Drawing Sheets



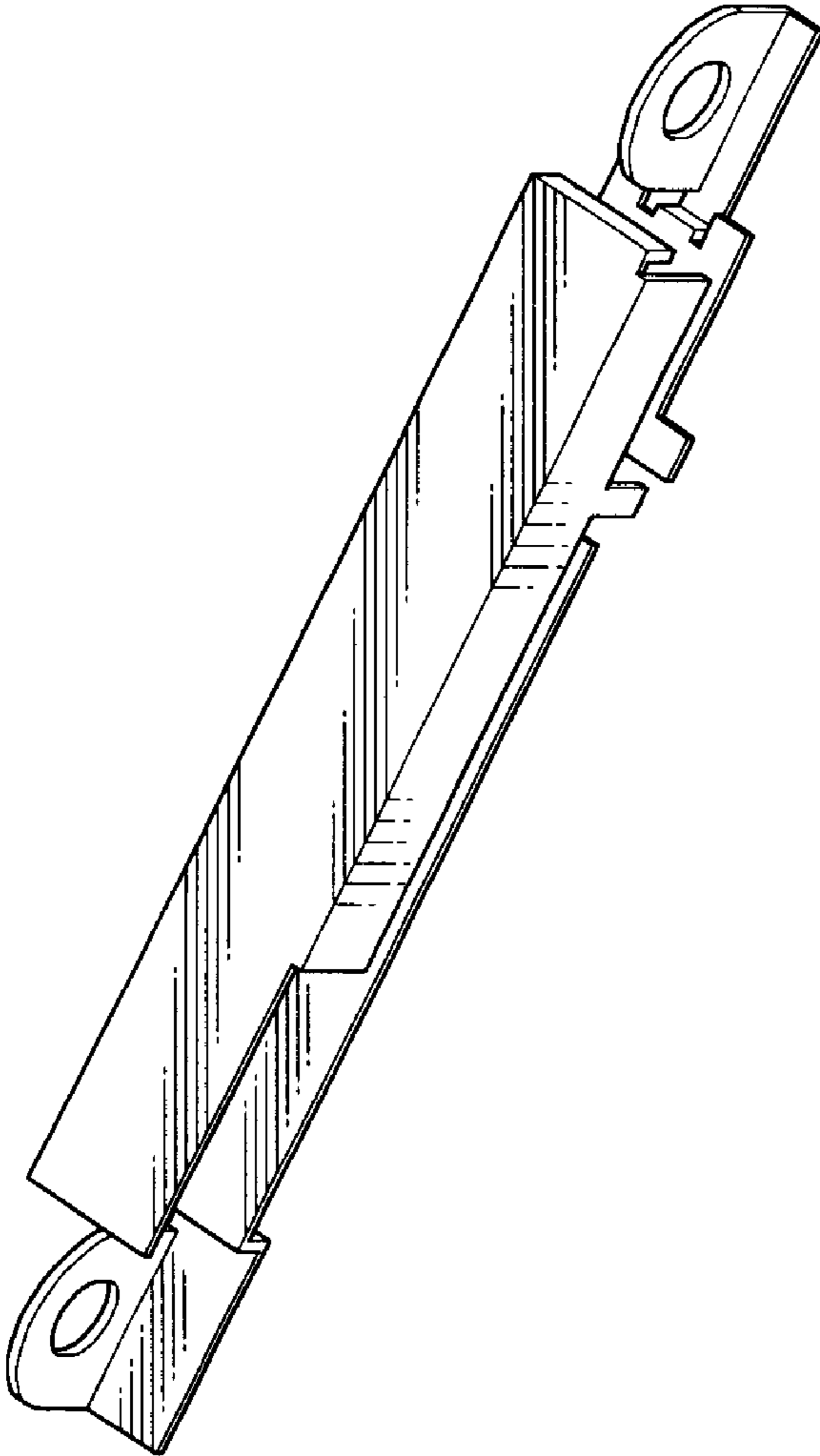


Fig. 1

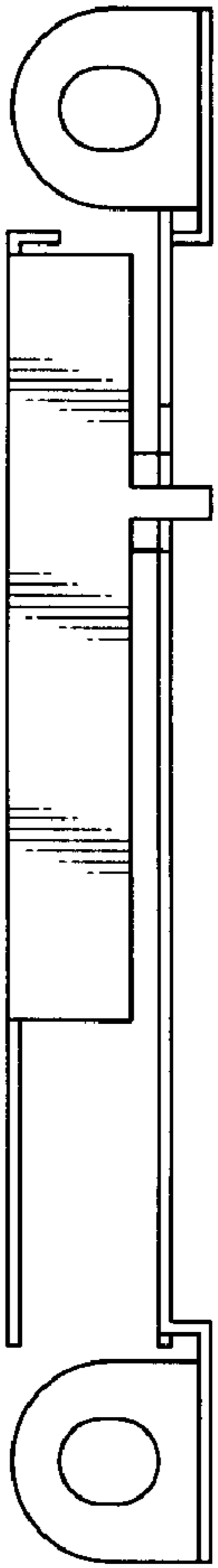


Fig. 2

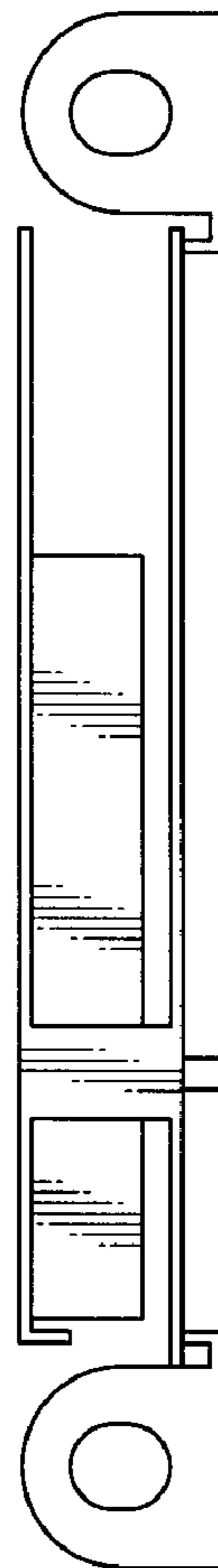


Fig. 3

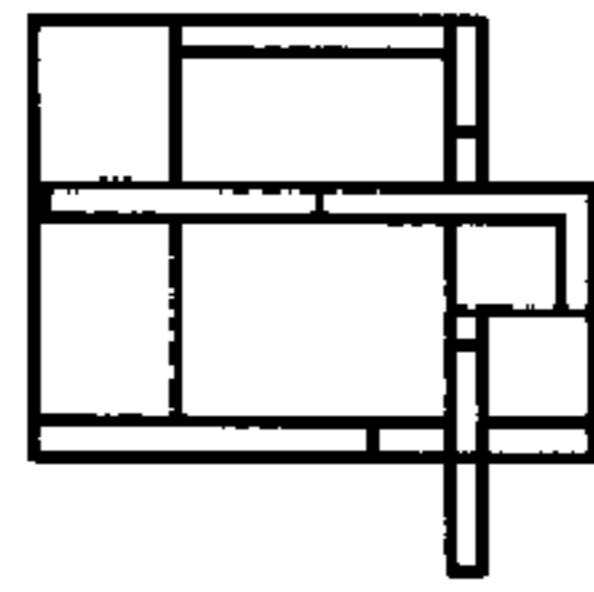


Fig. 5

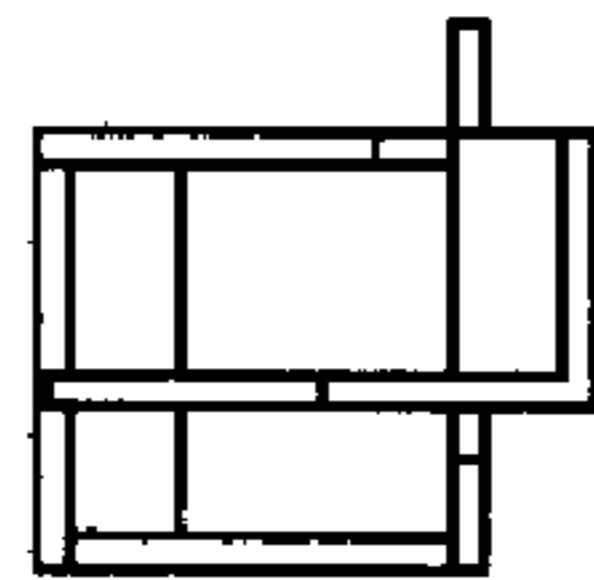


Fig. 4

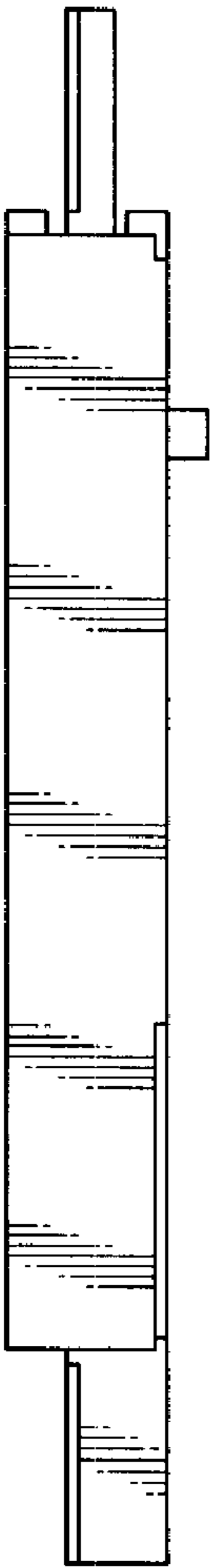


Fig.6

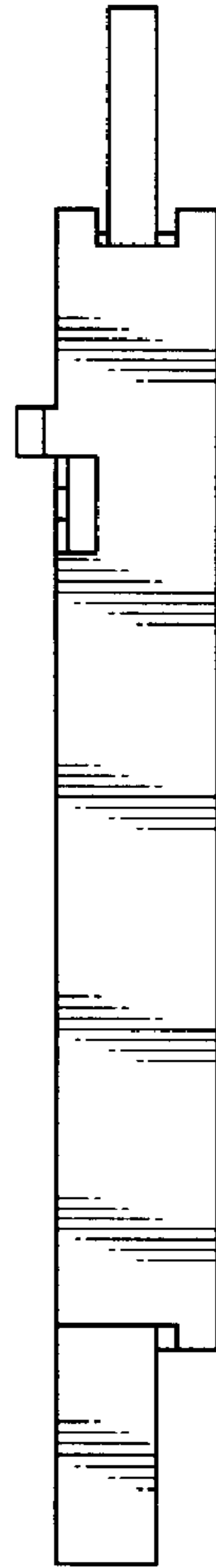


Fig.7