



US00D531621S

(12) **United States Design Patent**  
**Yang**

(10) **Patent No.:** **US D531,621 S**  
(45) **Date of Patent:** **\*\* Nov. 7, 2006**

(54) **EARPHONE**

(75) Inventor: **Bill Yang**, Taipei (TW)

(73) Assignee: **Cotron Corporation**, Taipei (TW)

(\*\*) Term: **14 Years**

(21) Appl. No.: **29/236,942**

(22) Filed: **Aug. 23, 2005**

(51) **LOC (8) Cl.** ..... **14-01**

(52) **U.S. Cl.** ..... **D14/223**

(58) **Field of Classification Search** ..... D14/188,  
D14/192, 205, 206, 223; 181/129, 130; 381/380,  
381/381, 385, 387; 379/430; D24/174  
See application file for complete search history.

(56) **References Cited**

**U.S. PATENT DOCUMENTS**

4,742,887	A	*	5/1988	Yamagishi	.....	181/129
4,981,194	A	*	1/1991	Kamon et al.	.....	181/129
D337,119	S	*	7/1993	Taniguchi	.....	D14/223
D369,349	S	*	4/1996	Hayashi	.....	D14/223
5,544,253	A	*	8/1996	Nagayoshi et al.	.....	381/385
5,867,582	A	*	2/1999	Nagayoshi	.....	381/370

6,084,976	A	*	7/2000	Lin	.....	381/380
D463,789	S	*	10/2002	DeKalb et al.	.....	D14/223
6,704,429	B1	*	3/2004	Lin	.....	381/380
D512,990	S	*	12/2005	Yang	.....	D14/223

\* cited by examiner

*Primary Examiner*—Paula A. Greene

(74) *Attorney, Agent, or Firm*—J.C. Patents

(57) **CLAIM**

The ornamental design for an earphone, as shown and described.

**DESCRIPTION**

FIG. 1 is a perspective view of an earphone showing my new design;

FIG. 2 is a front view thereof.

FIG. 3 is a rear view thereof.

FIG. 4 is a left side view thereof.

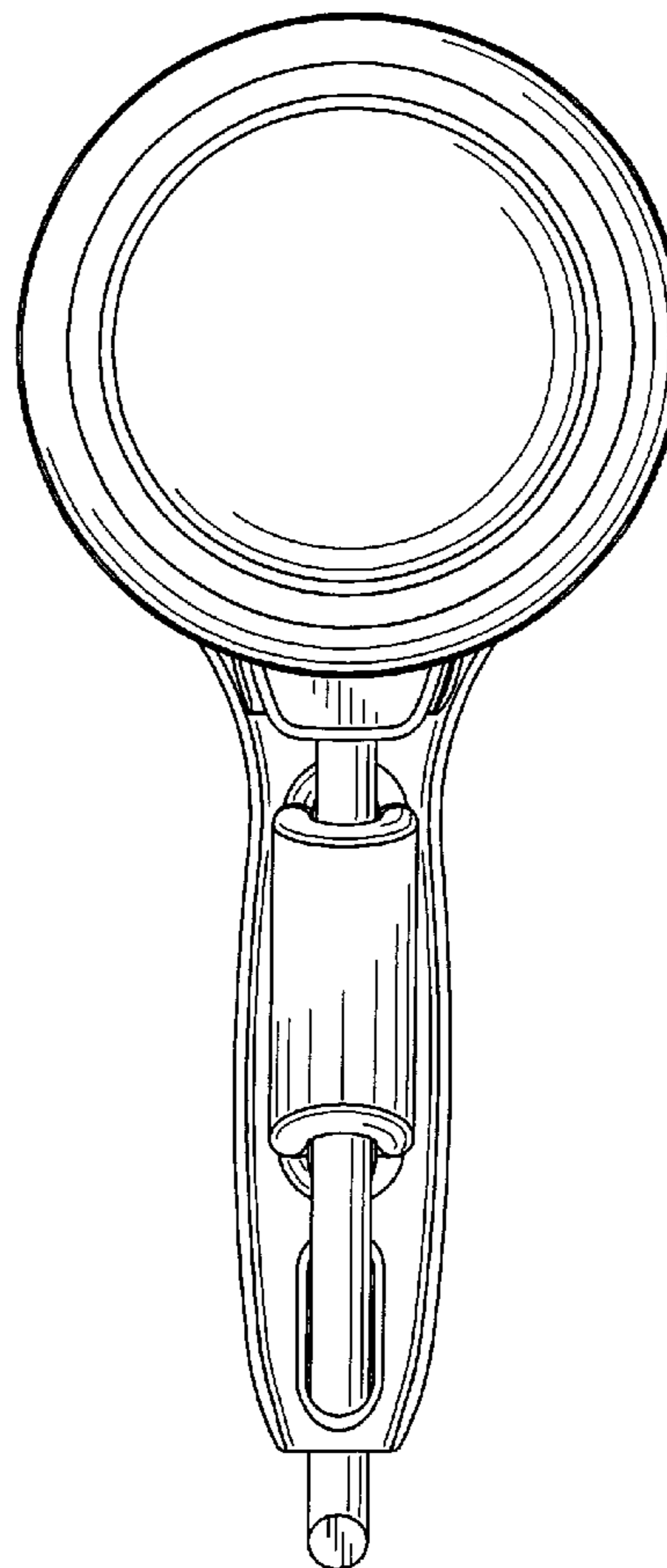
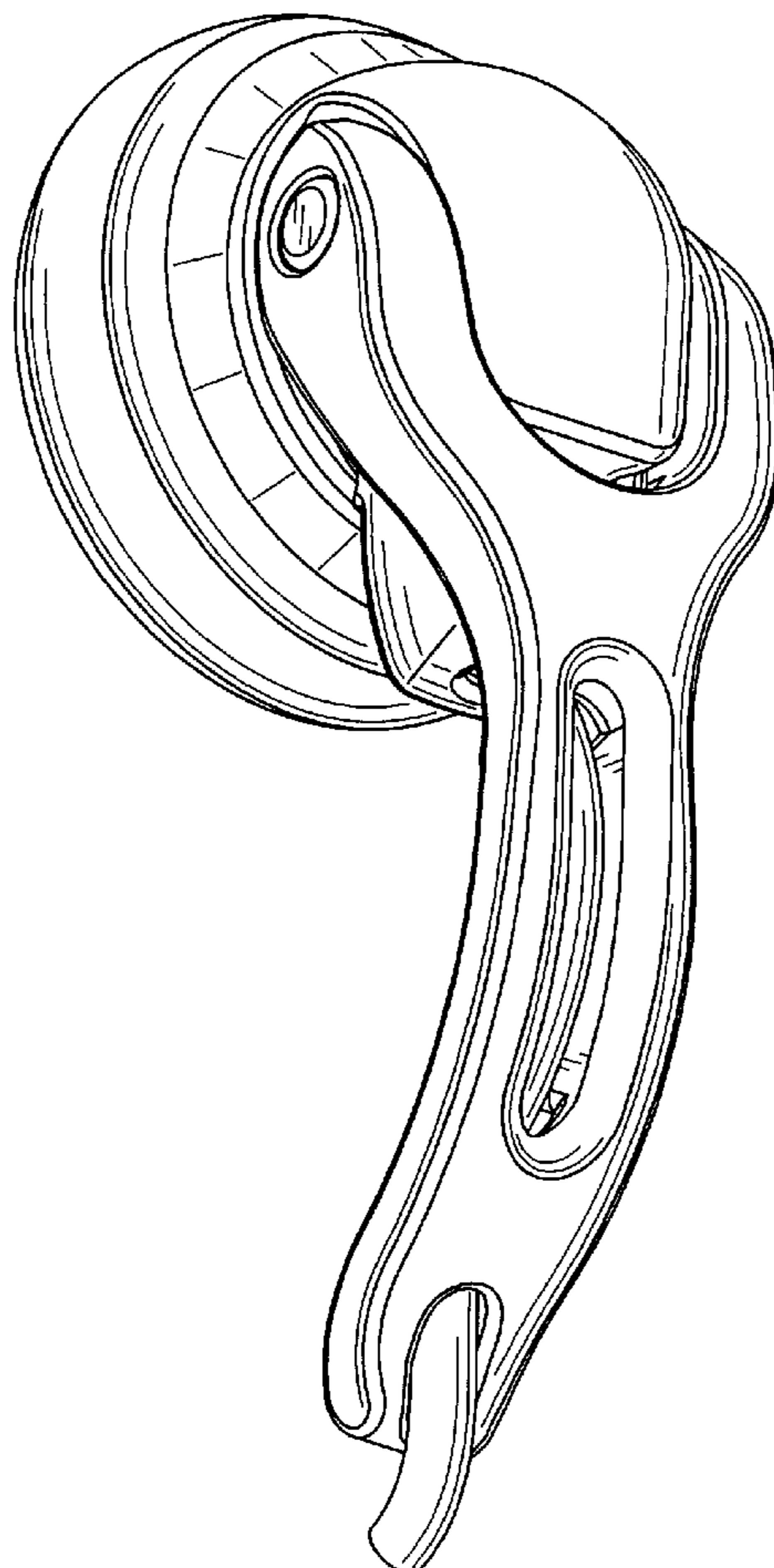
FIG. 5 is a right side view thereof.

FIG. 6 is a top plan view thereof.

FIG. 7 is a bottom plan view thereof; and,

FIG. 8 is a cross-sectional view taken along line 8—8 shown in FIG. 2.

**1 Claim, 7 Drawing Sheets**



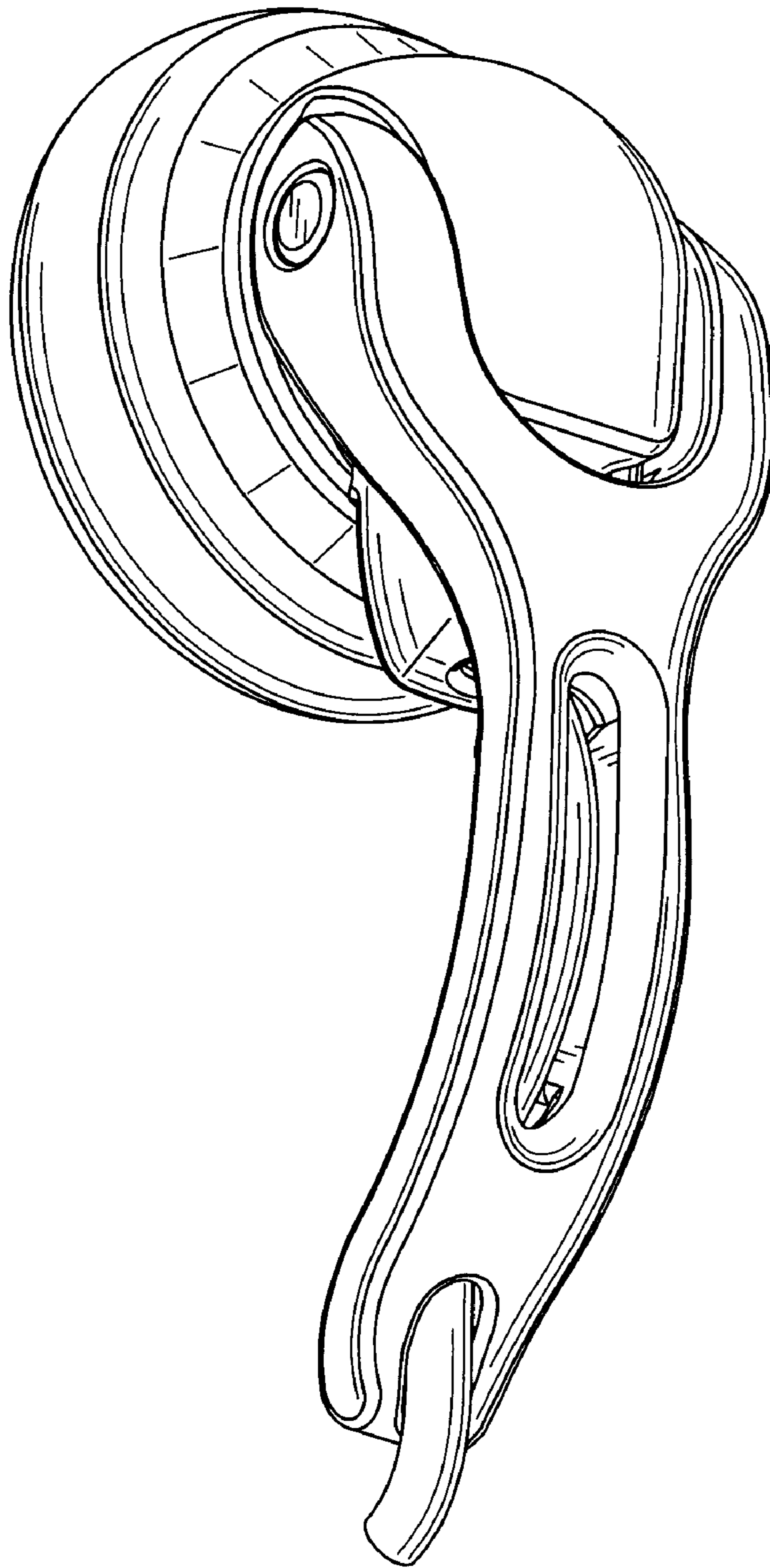


FIG. 1

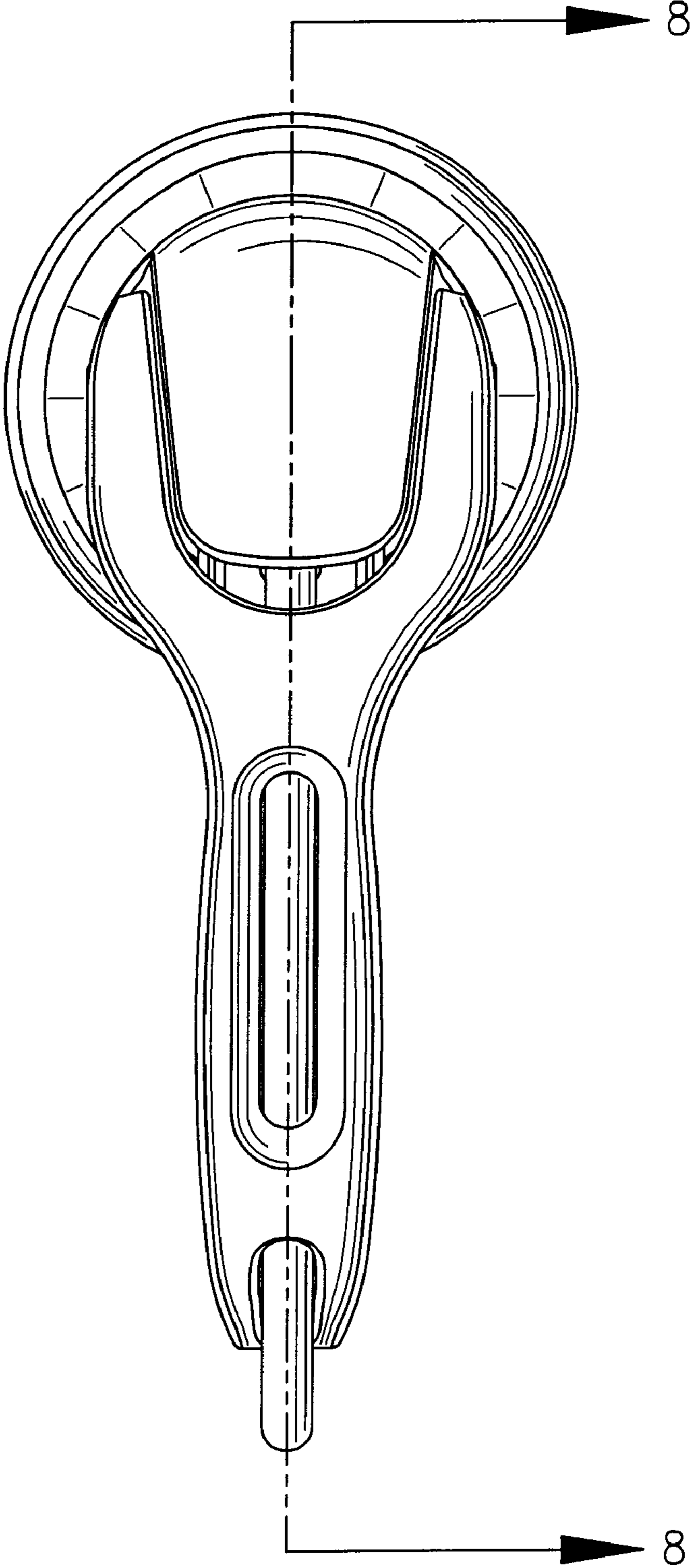


FIG. 2

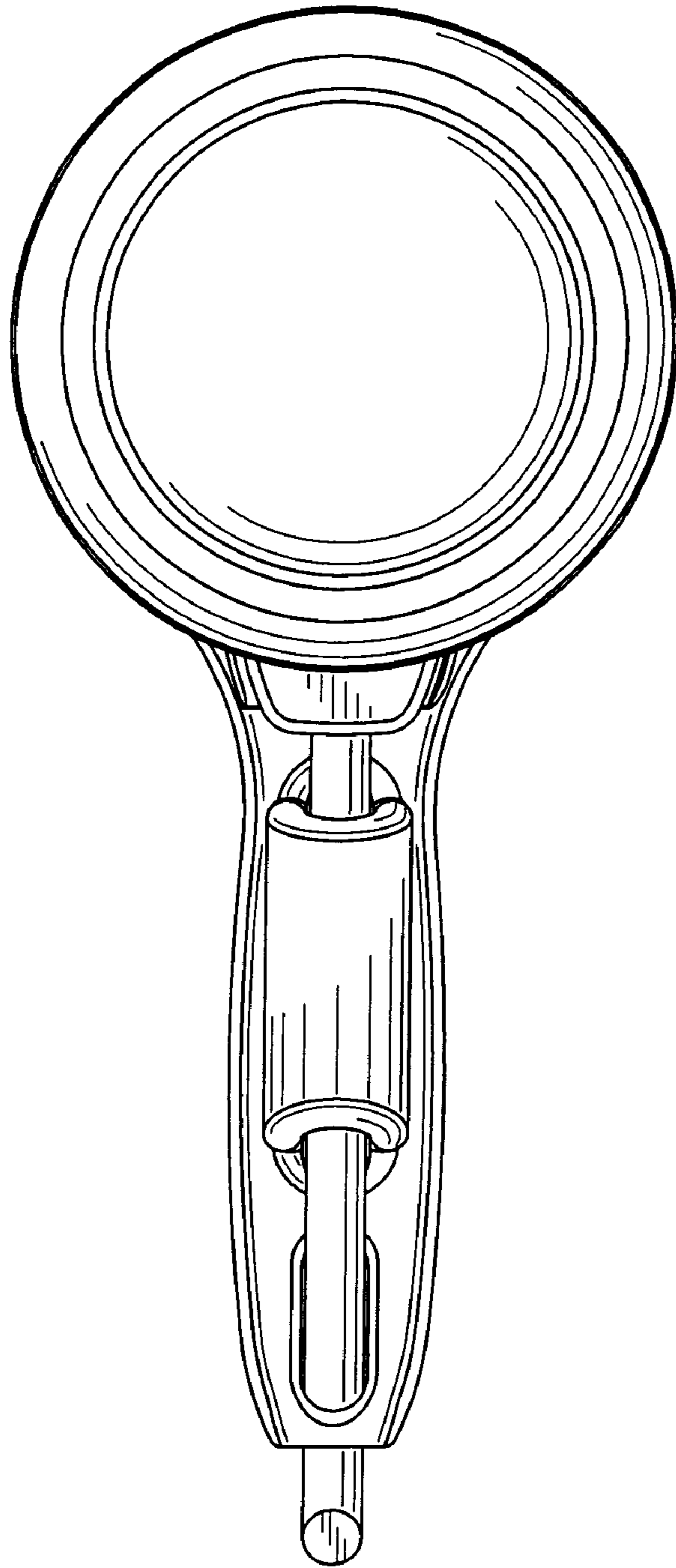


FIG. 3

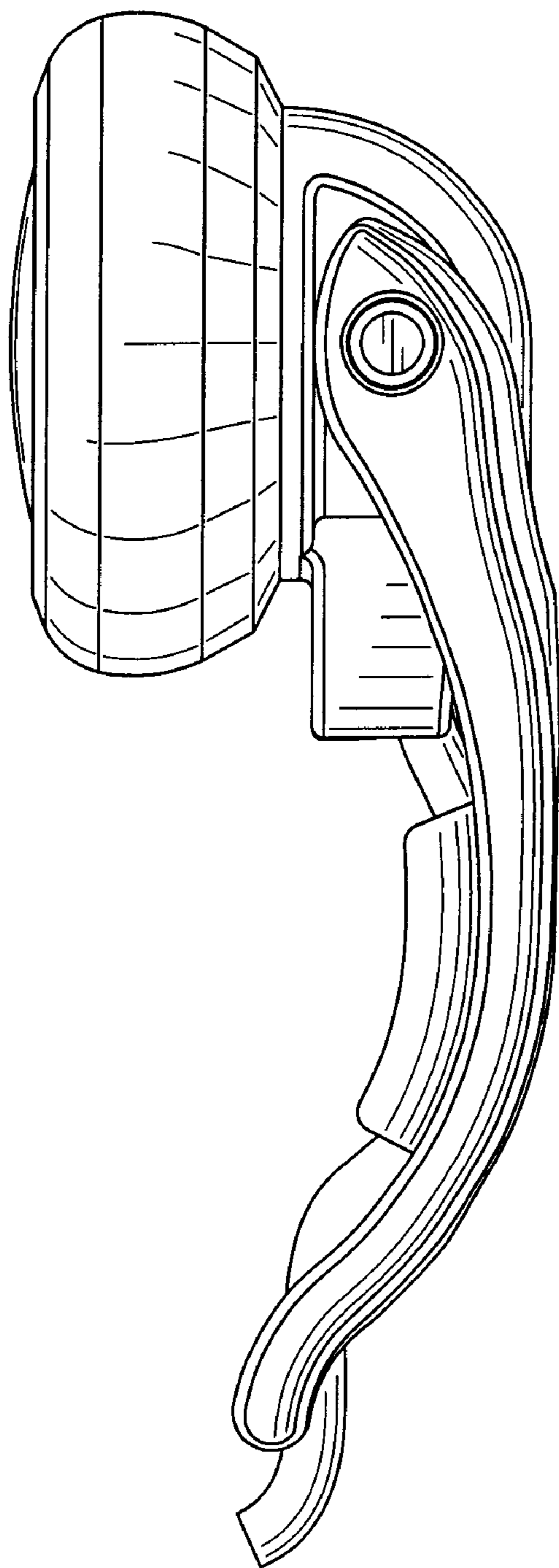


FIG. 4

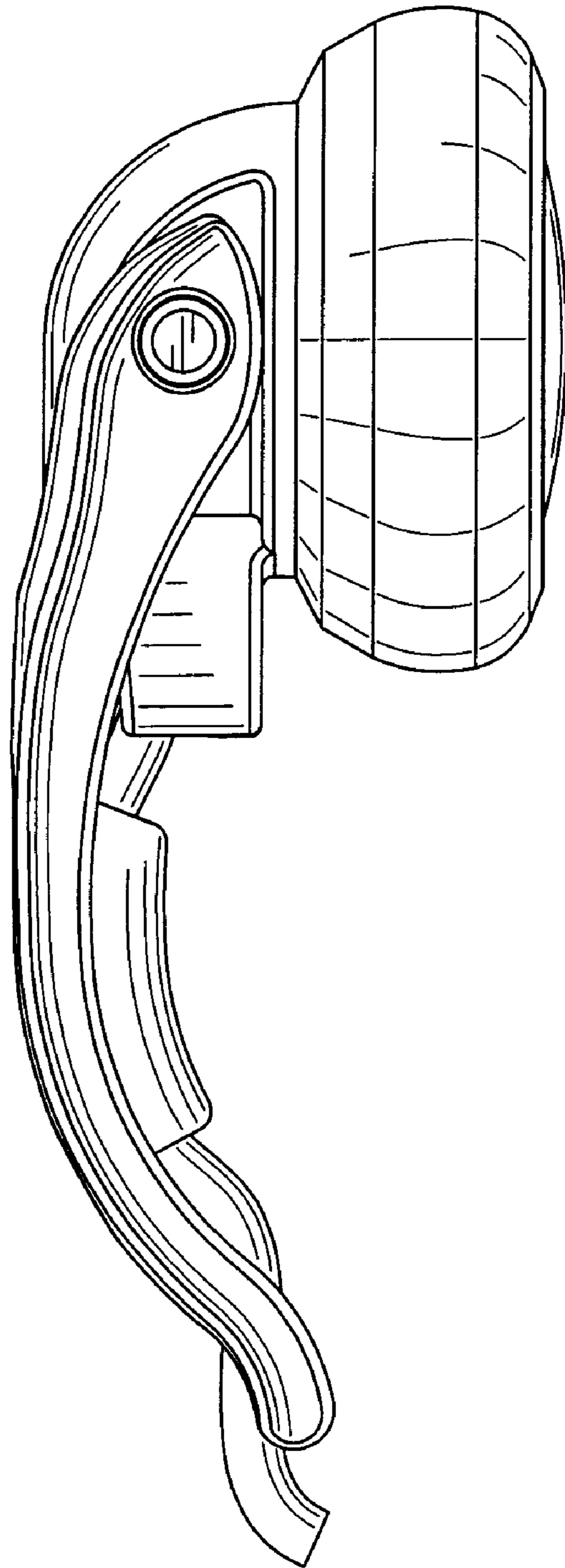


FIG. 5

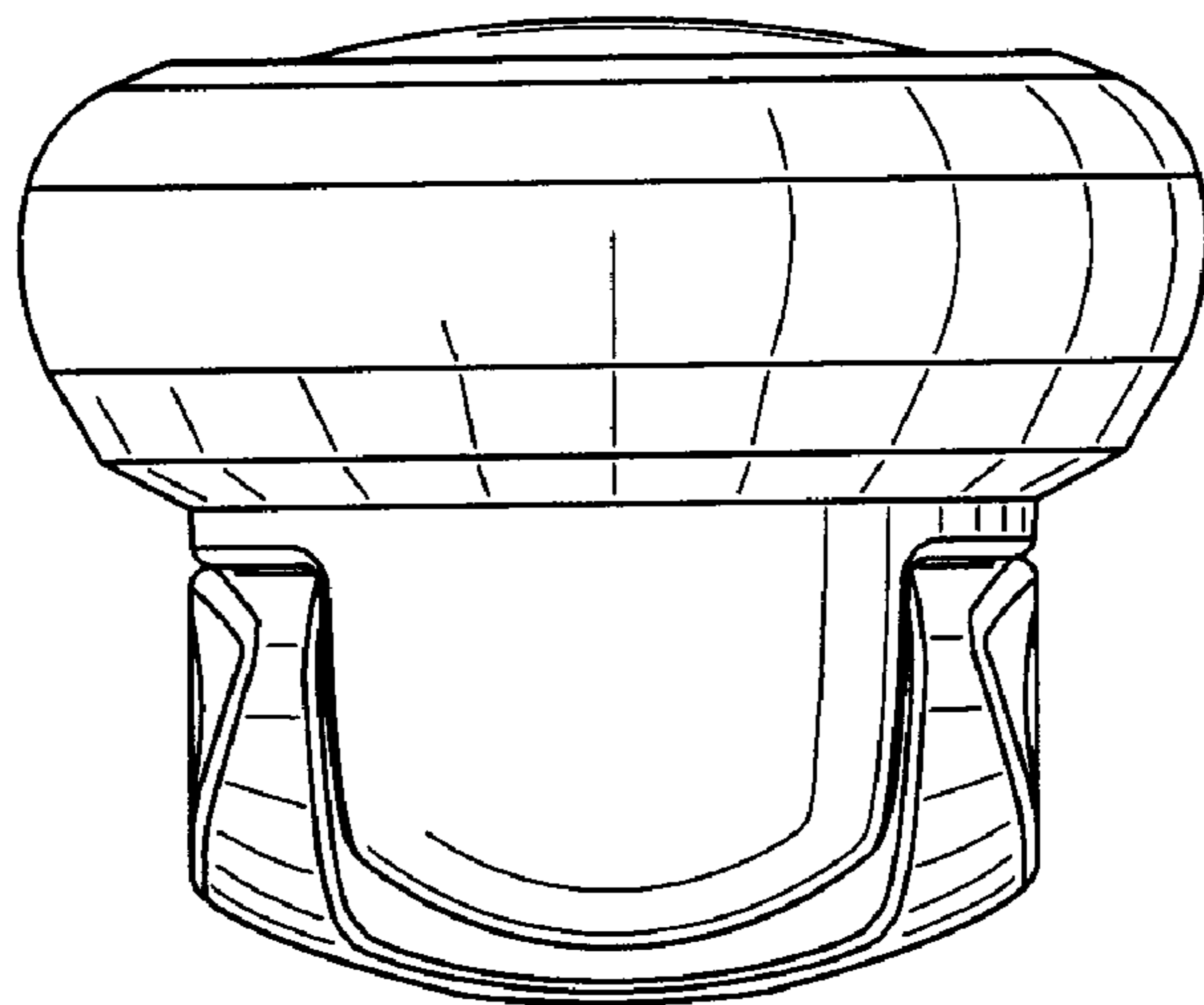


FIG. 6

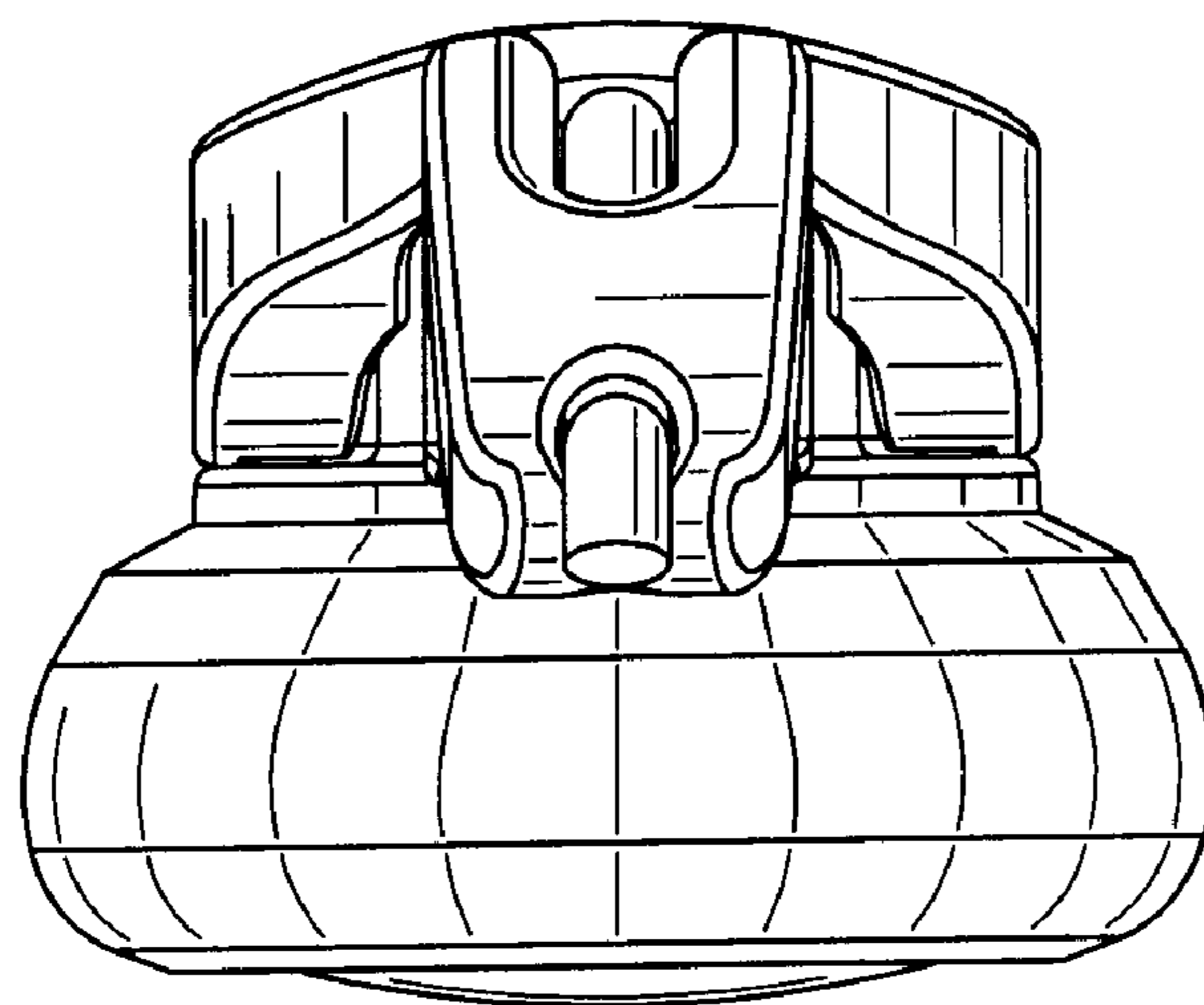


FIG. 7

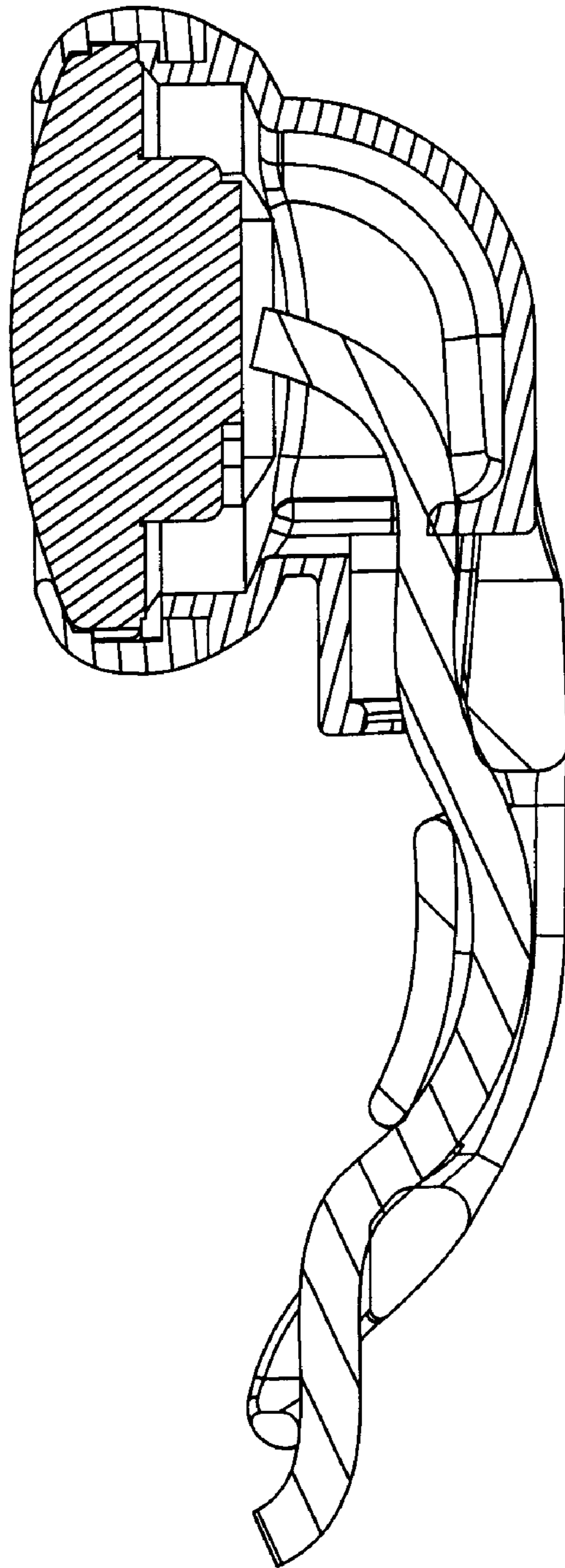


FIG. 8