



US00D531620S

(12) **United States Design Patent**
Tanaka et al.

(10) **Patent No.:** **US D531,620 S**

(45) **Date of Patent:** **** Nov. 7, 2006**

(54) **SPEAKER**

D488,802 S * 4/2004 Uehara et al. D14/216
D493,445 S * 7/2004 Iijima et al. D14/216

(75) Inventors: **Hidekazu Tanaka**, Kadoma (JP); **Lai Soo Chen**, Singapore (SG)

* cited by examiner

(73) Assignee: **Matsushita Electric Industrial Co., Ltd.**, Osaka (JP)

Primary Examiner—Nanda Bondade
(74) *Attorney, Agent, or Firm*—Brinks Hofer Gilson & Lione

(**) Term: **14 Years**

(21) Appl. No.: **29/223,486**

(57) **CLAIM**

(22) Filed: **Feb. 15, 2005**

We claim the ornamental design for a speaker, as shown and described.

(30) **Foreign Application Priority Data**

Aug. 17, 2004 (JP) 2004-024517

DESCRIPTION

(51) **LOC (8) Cl.** **14-01**

FIG. 1 is a top perspective view of a speaker of the present invention;

(52) **U.S. Cl.** **D14/221**

(58) **Field of Classification Search** D14/204,
D14/207, 209–216, 356; 181/143–144, 147–148,
181/150, 157, 198–199, 151, 153; 381/300–302,
381/306, 333, 345, 361–364, 386–388, 332,
381/336

FIG. 2 is a top view thereof;

FIG. 3 is a first side view thereof;

FIG. 4 is a second side view thereof;

FIG. 5 is a third side view thereof;

FIG. 6 is a fourth side view thereof; and,

FIG. 7 is a bottom view thereof.

See application file for complete search history.

(56) **References Cited**

U.S. PATENT DOCUMENTS

D472,545 S * 4/2003 Iijima et al. D14/219

1 Claim, 4 Drawing Sheets

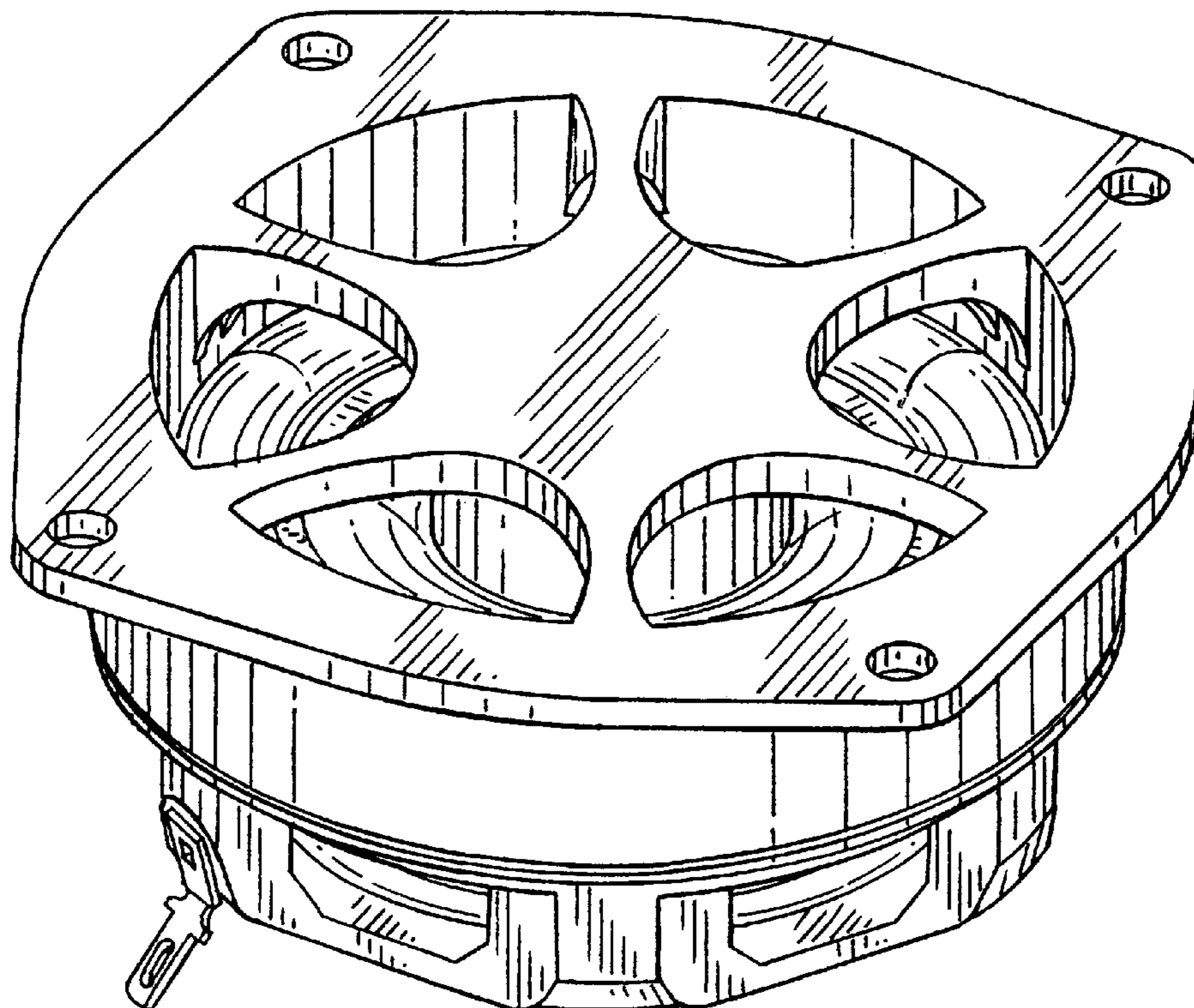


FIG. 1

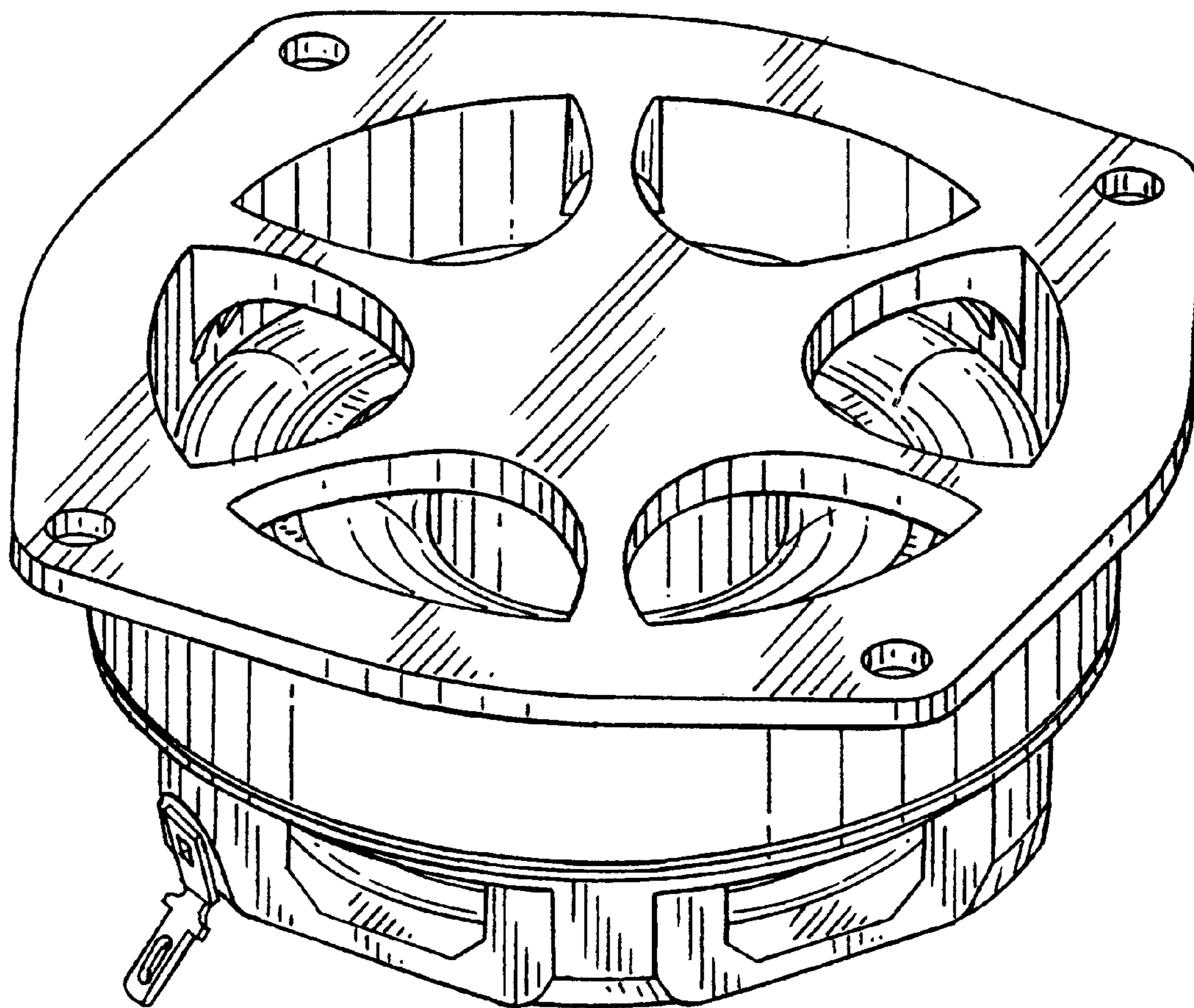


FIG. 2

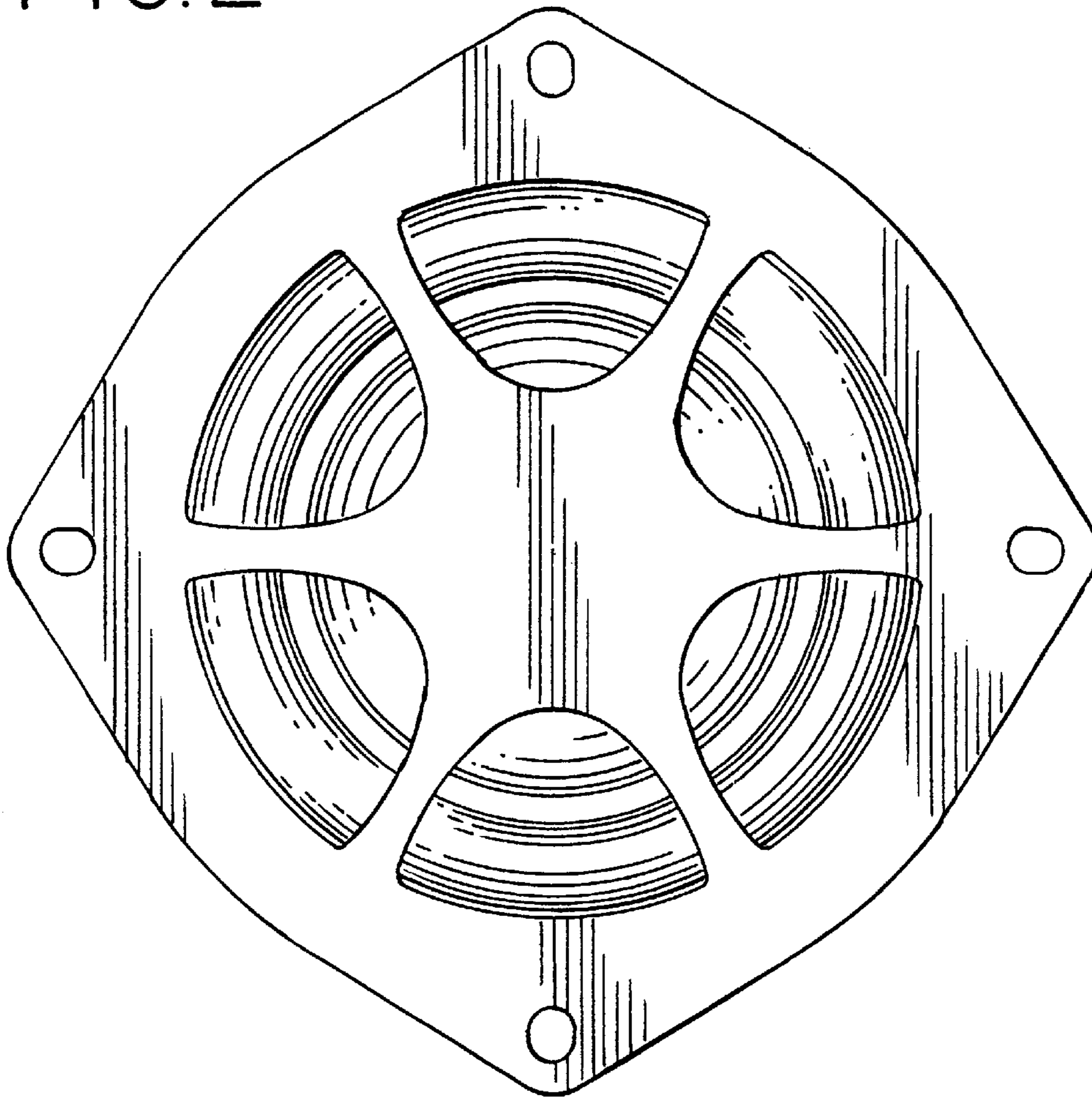


FIG. 3

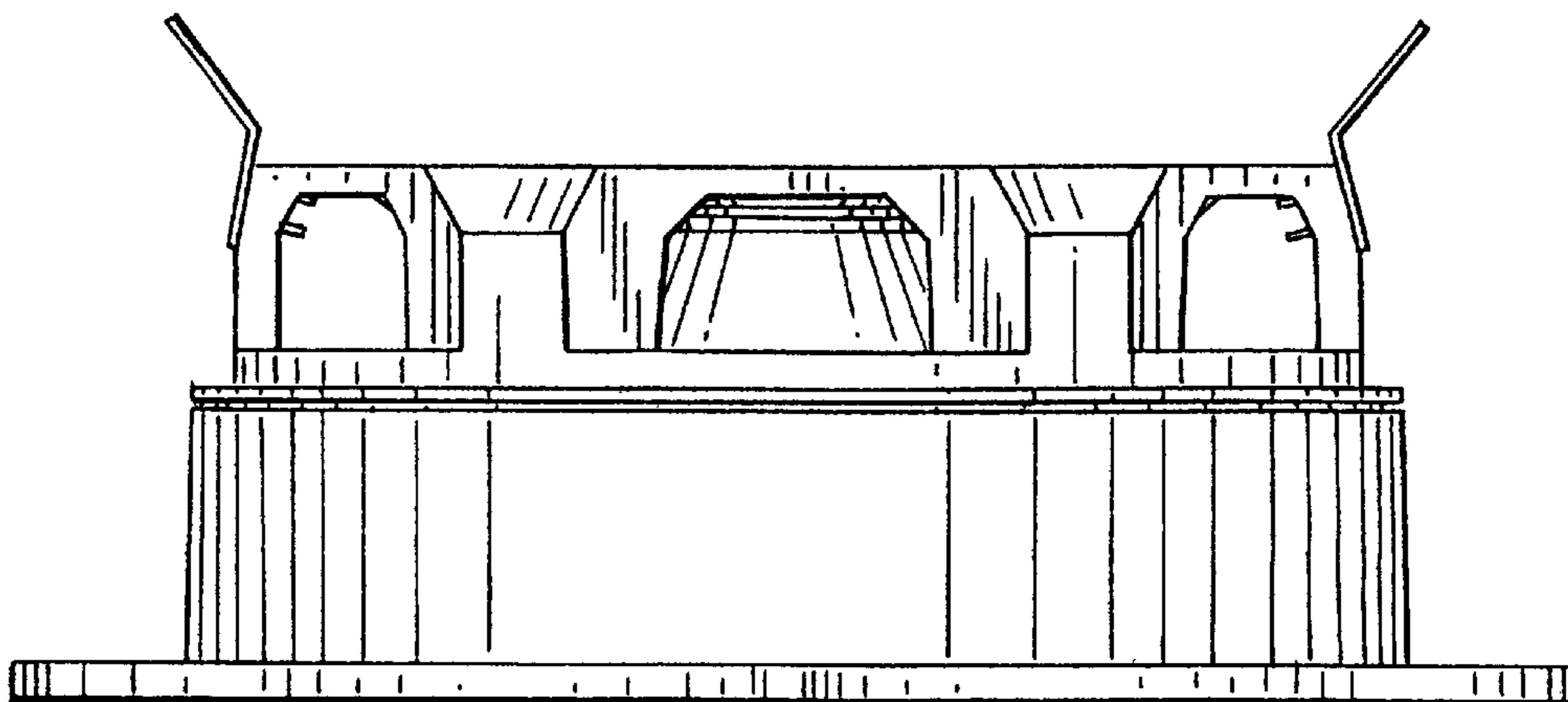


FIG. 4

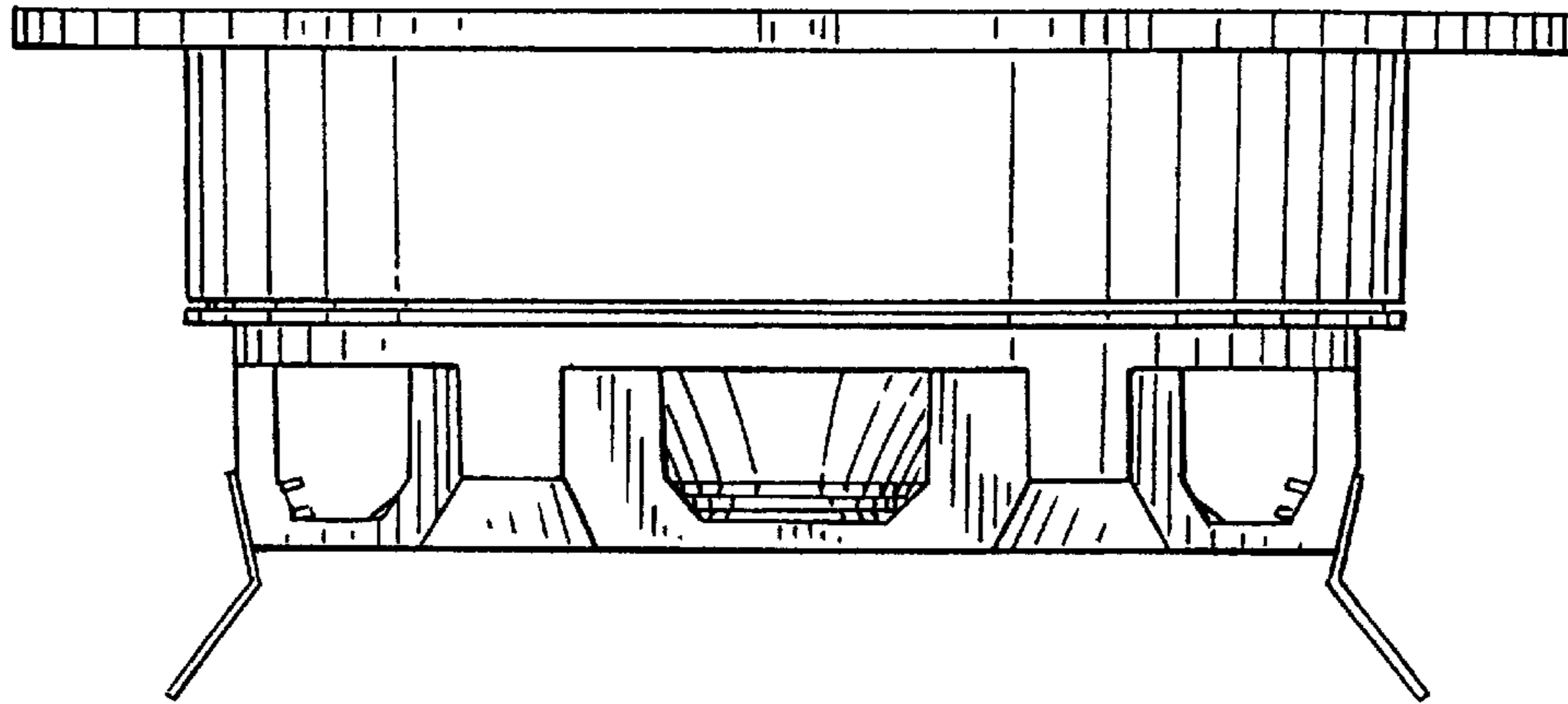


FIG. 5

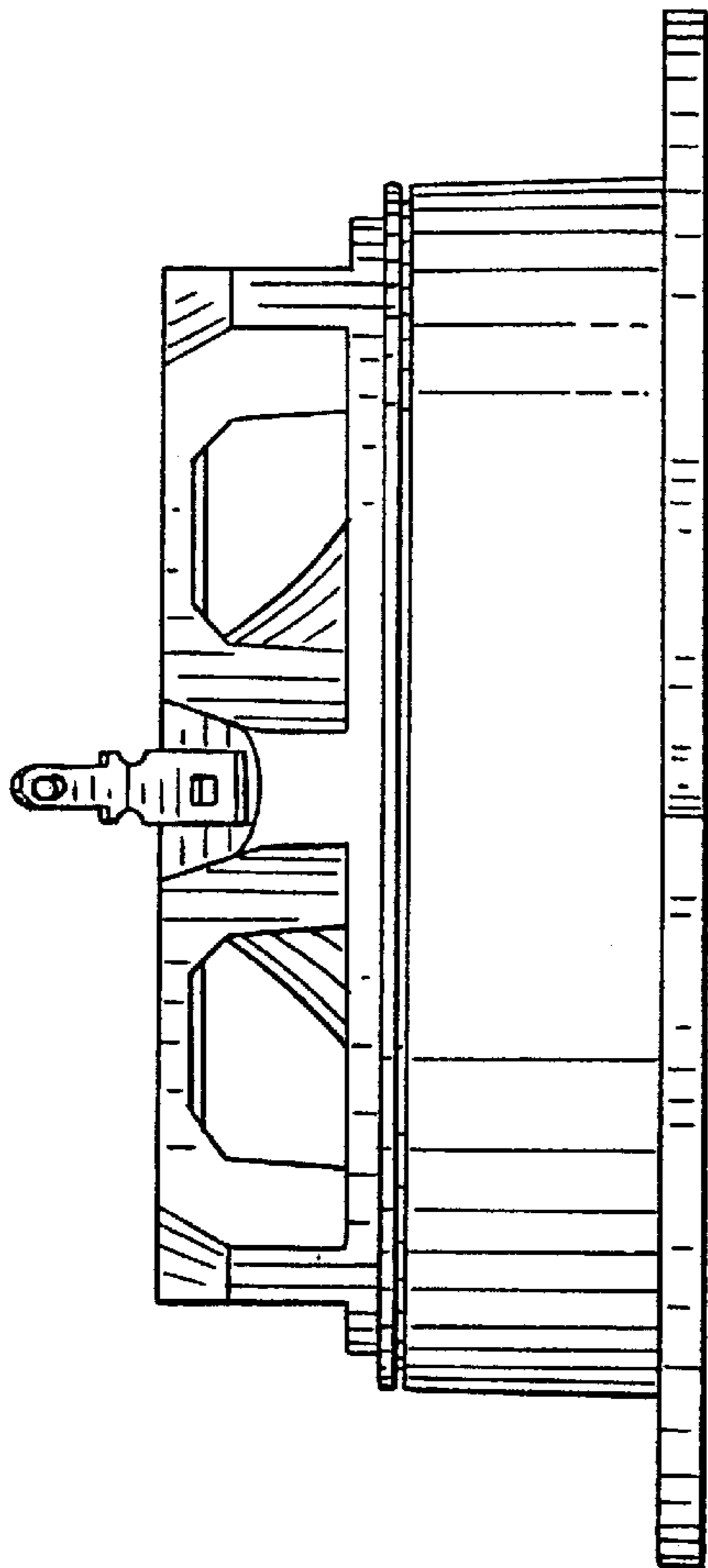


FIG. 6

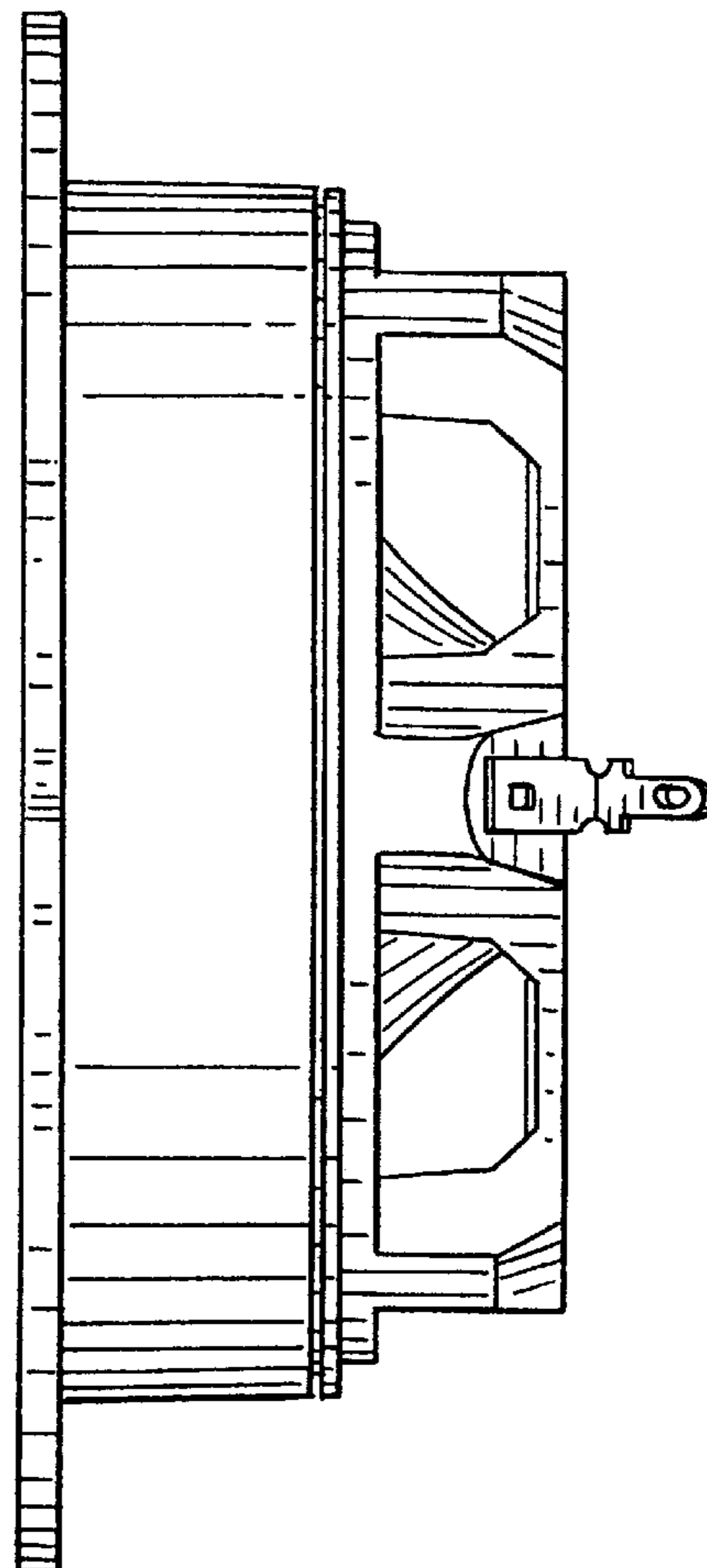


FIG. 7

