



US00D531619S

(12) **United States Design Patent**
Chau

(10) **Patent No.:** **US D531,619 S**

(45) **Date of Patent:** **** Nov. 7, 2006**

(54) **WIRELESS STEREO AUDIO ADAPTER FOR DIGITAL MEDIA PLAYER**

(75) Inventor: **Suk Man Chau**, Shatin (HK)

(73) Assignee: **Hutchison Harbour Ring Enterprises Limited**, Tortola (VG)

(**) Term: **14 Years**

(21) Appl. No.: **29/230,701**

(22) Filed: **May 24, 2005**

(51) **LOC (8) Cl.** **14-01**

(52) **U.S. Cl.** **D14/217**

(58) **Field of Classification Search** D13/133,
D13/146, 147; D14/217, 299; 439/606, 638,
439/668, 669, 701

See application file for complete search history.

(56) **References Cited**

U.S. PATENT DOCUMENTS

6,616,487 B1 * 9/2003 Lai 439/668

6,626,704 B1 * 9/2003 Pikel 439/638

6,626,706 B1 * 9/2003 Siddiqui et al. 439/668

D482,657 S * 11/2003 Lai D13/146

6,786,778 B1 * 9/2004 Lai 439/701

* cited by examiner

Primary Examiner—Nanda Bondade

(74) *Attorney, Agent, or Firm*—Abelman, Frayne & Scwab

(57) **CLAIM**

The ornamental design for wireless stereo audio adapter for digital media player, as shown and described.

DESCRIPTION

FIG. 1 is a top view showing my new wireless stereo audio adapter for digital media player design;

FIG. 2 is a front view thereof;

FIG. 3 is a left-side view thereof;

FIG. 4 is a right-side view thereof;

FIG. 5 is a rear view thereof;

FIG. 6 is a bottom view thereof; and,

FIG. 7 is a top rear perspective view thereof.

1 Claim, 2 Drawing Sheets

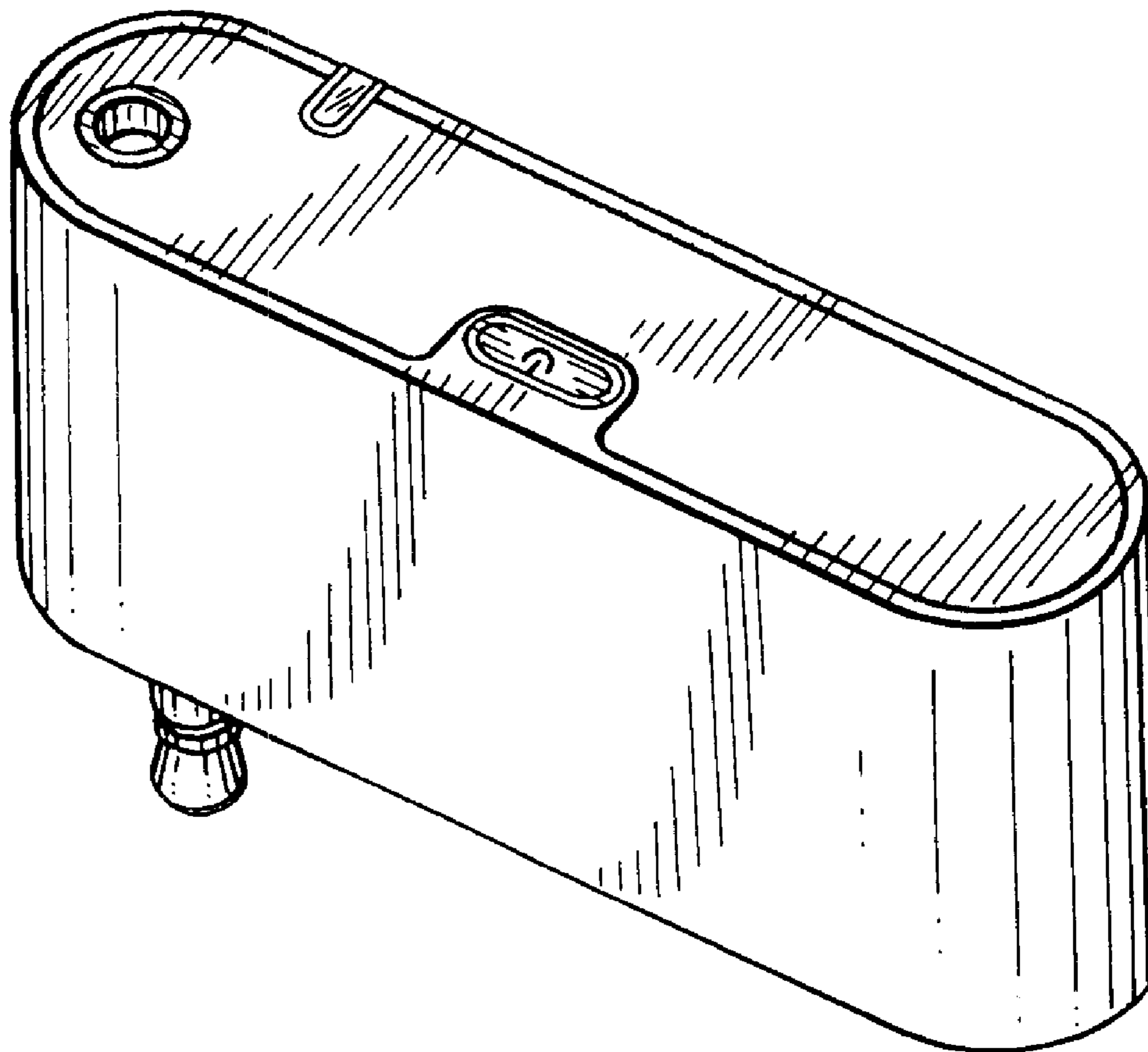


FIG. 1

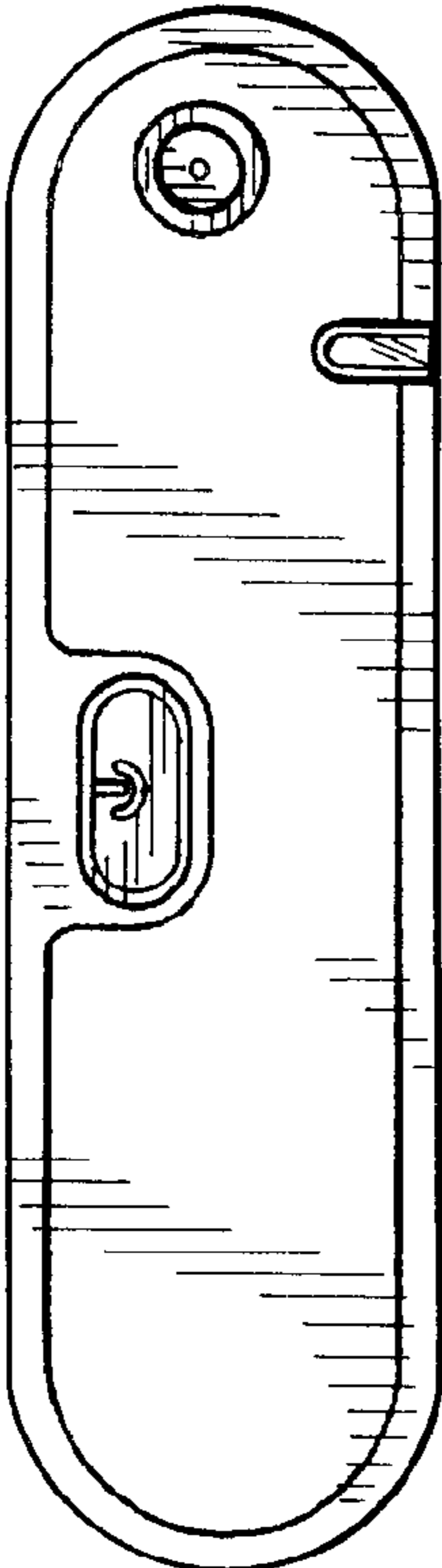


FIG. 3

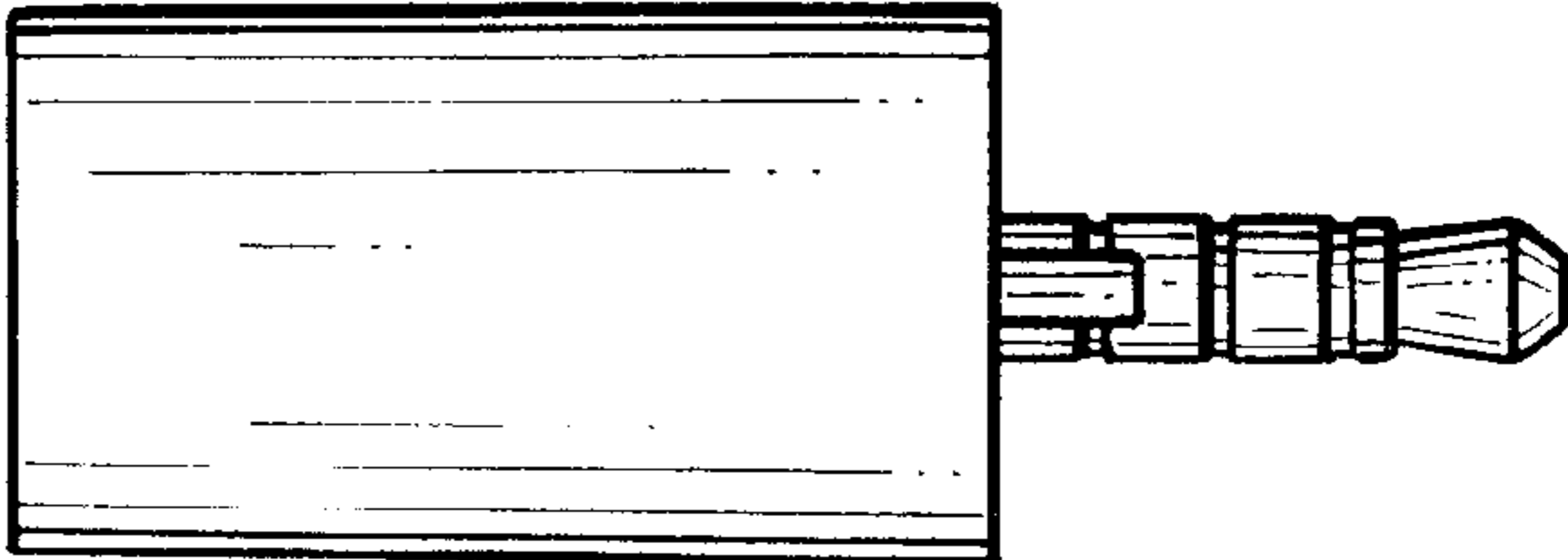


FIG. 4

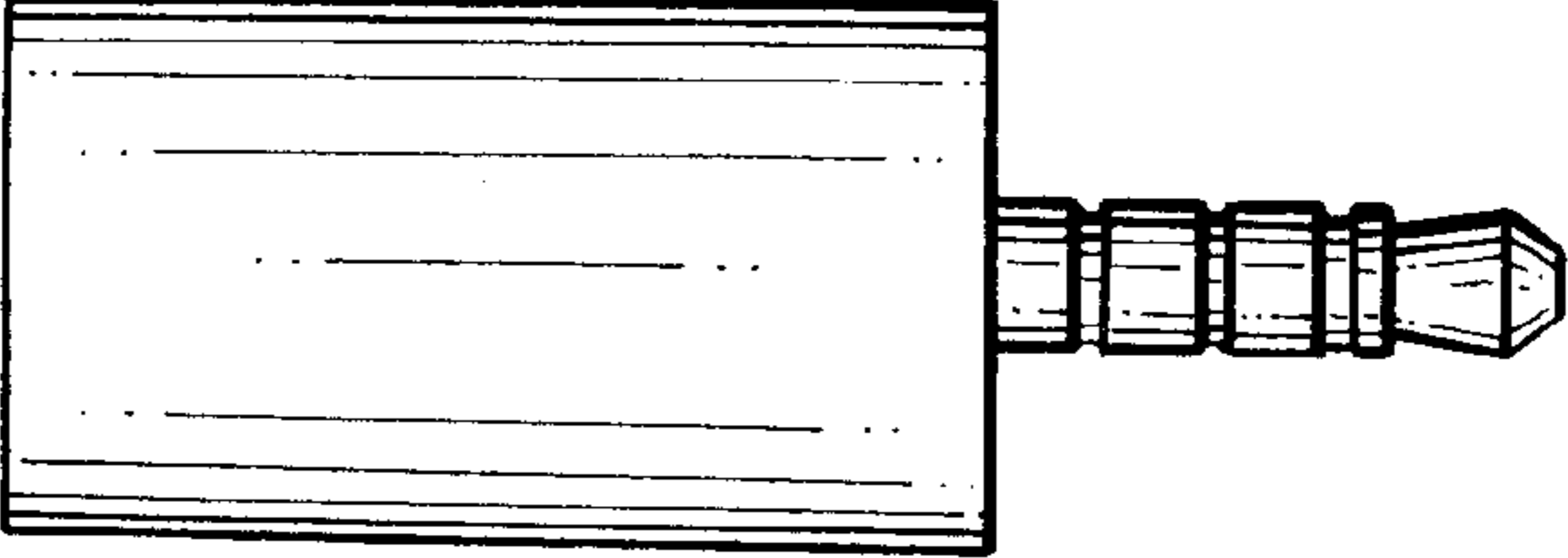


FIG. 2

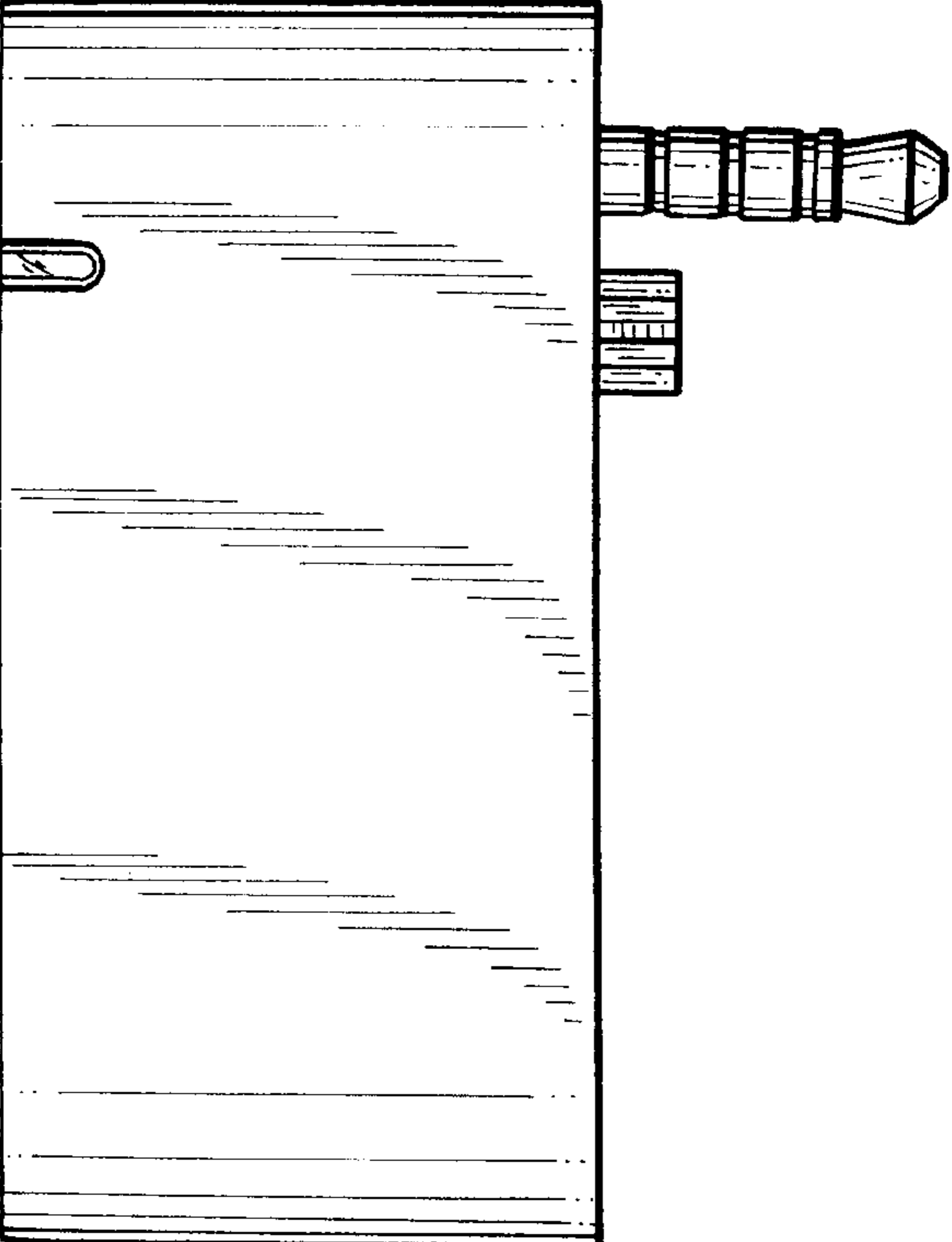


FIG. 5

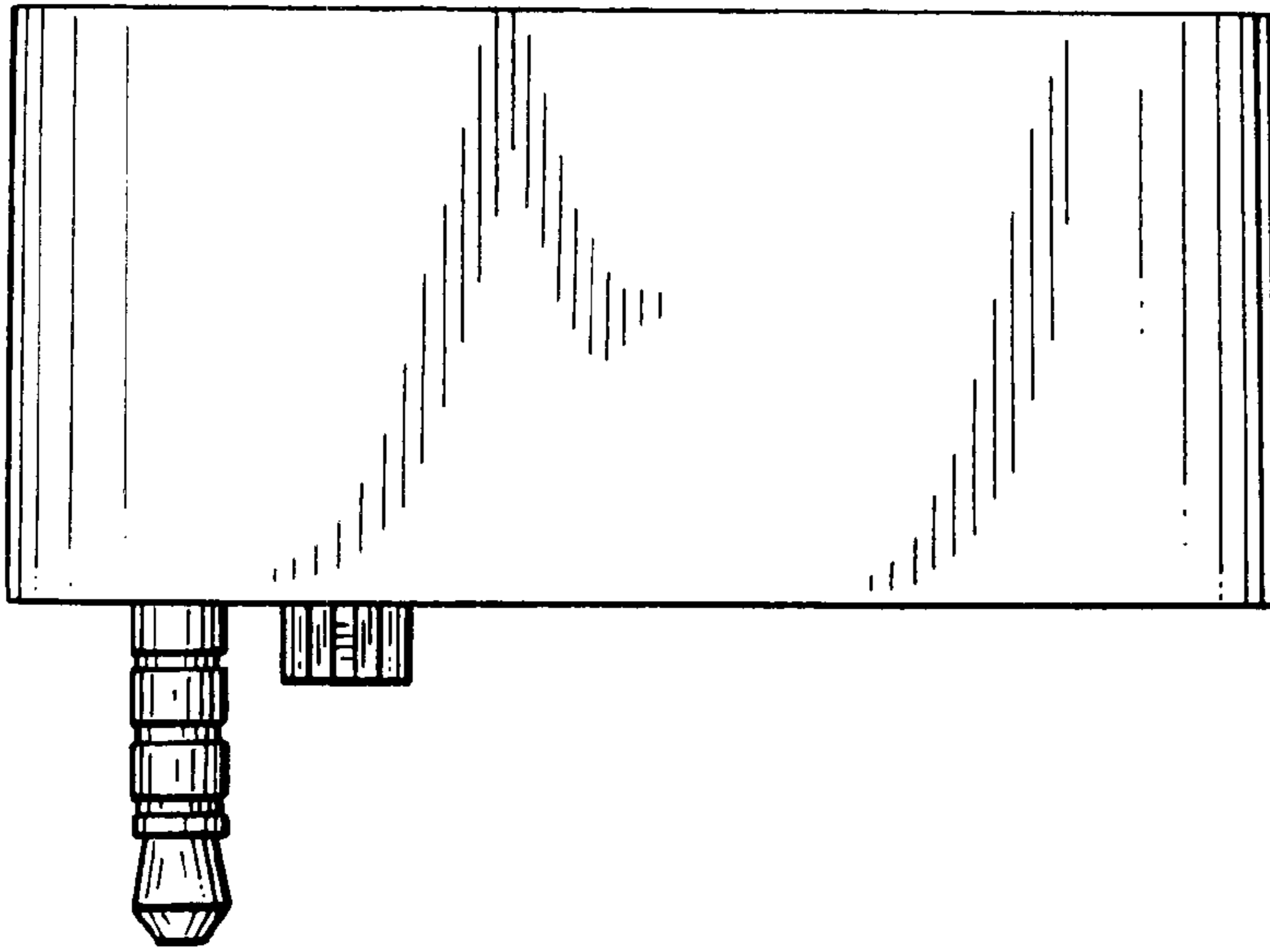


FIG. 6

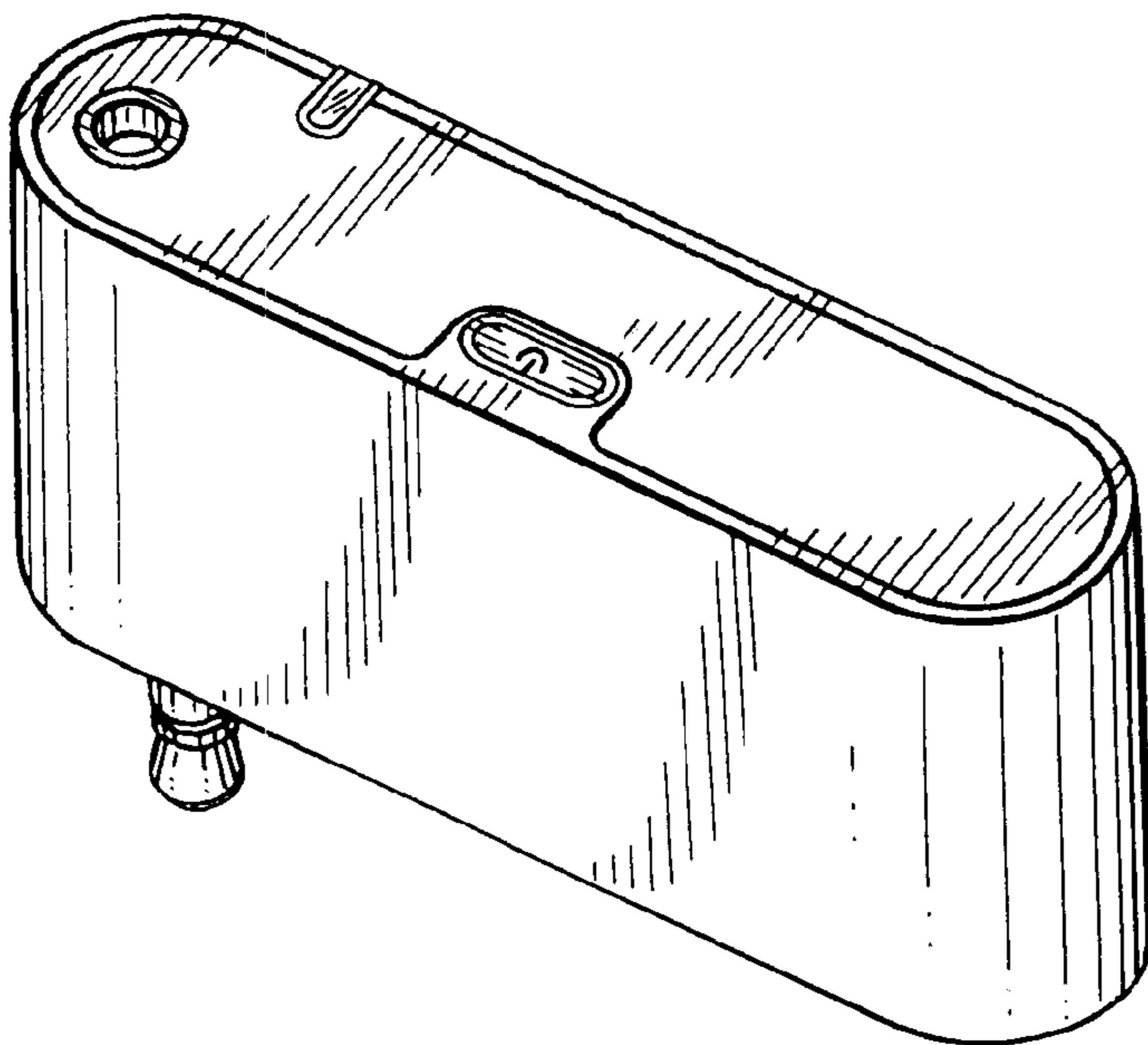
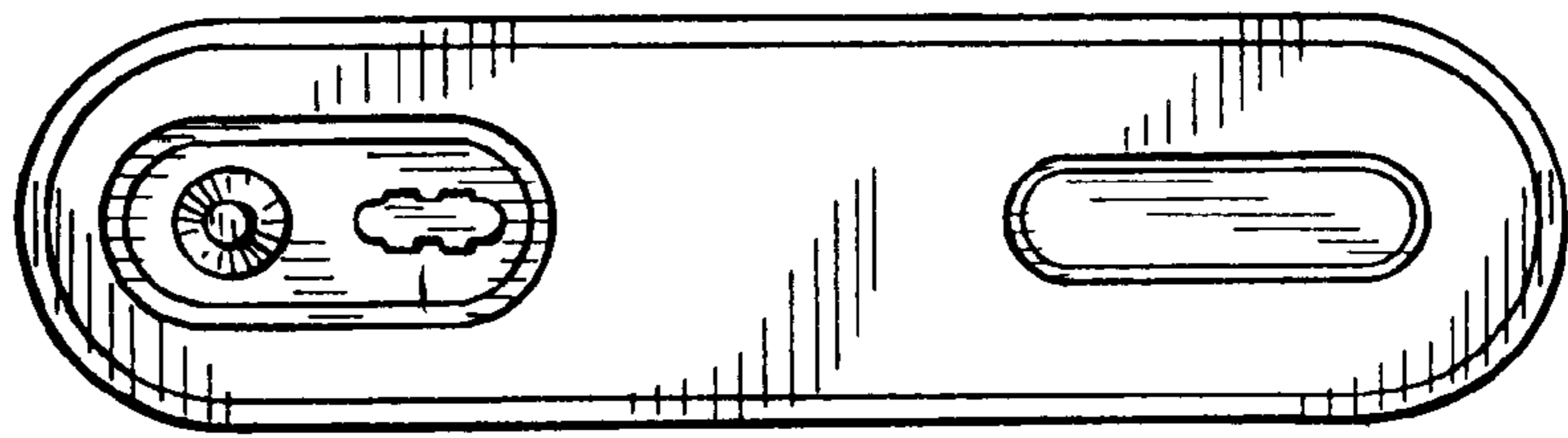


FIG. 7