



US00D531616S

(12) **United States Design Patent**  
**Shimokawatoko et al.**

(10) **Patent No.:** **US D531,616 S**

(45) **Date of Patent:** **\*\* Nov. 7, 2006**

(54) **SPEAKER**

(75) Inventors: **Yachiyo Shimokawatoko**, Hisaishi (JP); **Kenji Yamauchi**, Matsusaka (JP); **Naoyuki Ozawa**, Matsusaka (JP)

(73) Assignee: **Matsushita Electric Industrial Co., Ltd.**, Osaka (JP)

(\*\*) Term: **14 Years**

(21) Appl. No.: **29/232,981**

(22) Filed: **Jun. 24, 2005**

(30) **Foreign Application Priority Data**

Feb. 23, 2005 (JP) ..... 2005-004902

(51) **LOC (8) Cl.** ..... **14-01**

(52) **U.S. Cl.** ..... **D14/214**

(58) **Field of Classification Search** ..... D14/204, D14/207, 209-216, 356; 181/143-144, 147-148, 181/150, 157, 198, 199, 151, 153; 381/300-302, 381/306, 333, 345, 361-364, 386-388, 332, 381/336

See application file for complete search history.

(56) **References Cited**

**U.S. PATENT DOCUMENTS**

D347,225 S \* 5/1994 Lowy et al. .... D14/204

5,802,190 A \* 9/1998 Ferren ..... 181/144  
D457,875 S \* 5/2002 Joe ..... D14/214  
D461,177 S \* 8/2002 Hisatsune ..... D14/211  
D477,307 S \* 7/2003 Tierney ..... D14/214

**FOREIGN PATENT DOCUMENTS**

JP 1202257 4/2004

\* cited by examiner

*Primary Examiner*—Nanda Bondade

(74) *Attorney, Agent, or Firm*—Brinks Hofer Gilson & Lione

(57) **CLAIM**

We claim the ornamental design for a speaker, as shown and described.

**DESCRIPTION**

FIG. 1 is a front perspective view of a speaker of the present invention;

FIG. 2 is a rear perspective view thereof;

FIG. 3 is a front view thereof;

FIG. 4 is a first side view thereof;

FIG. 5 is a top view thereof;

FIG. 6 is a bottom view thereof;

FIG. 7 is a second side view thereof; and,

FIG. 8 is a rear view thereof.

**1 Claim, 3 Drawing Sheets**

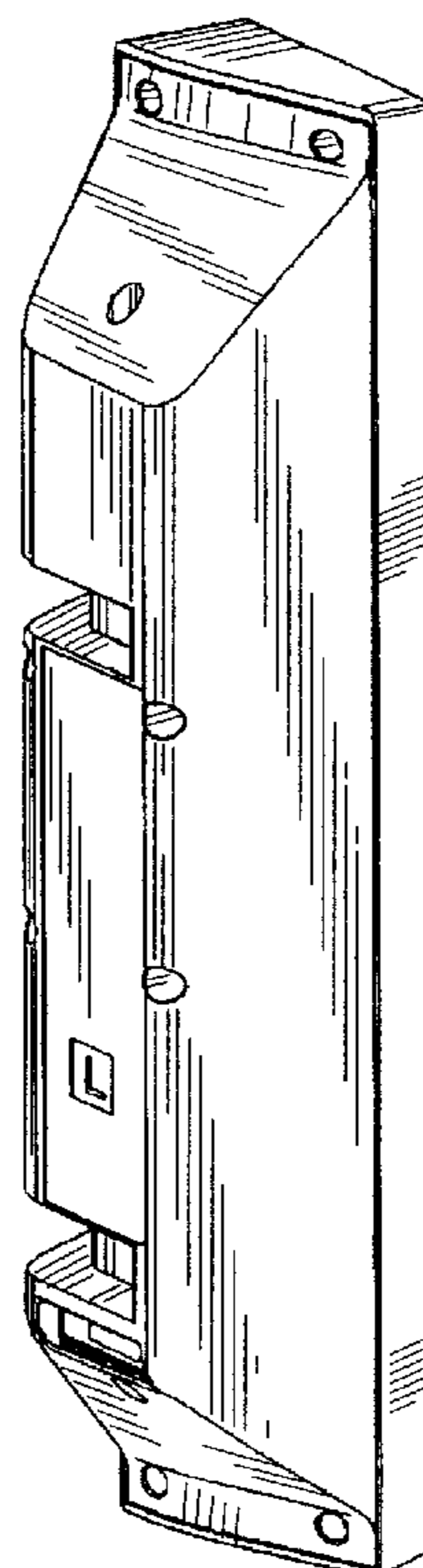
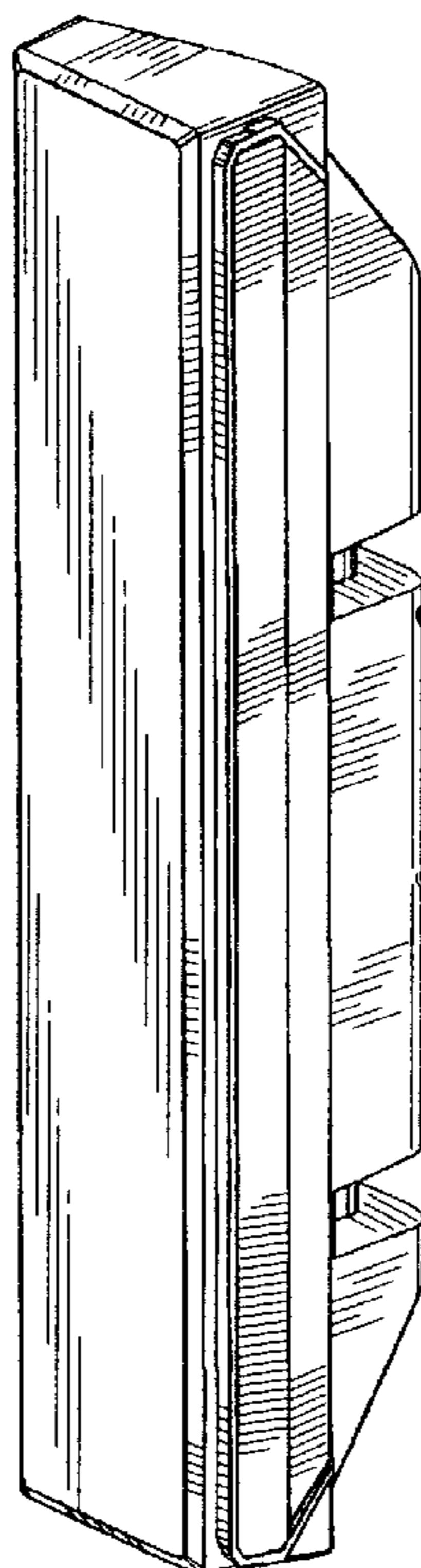


FIG.1

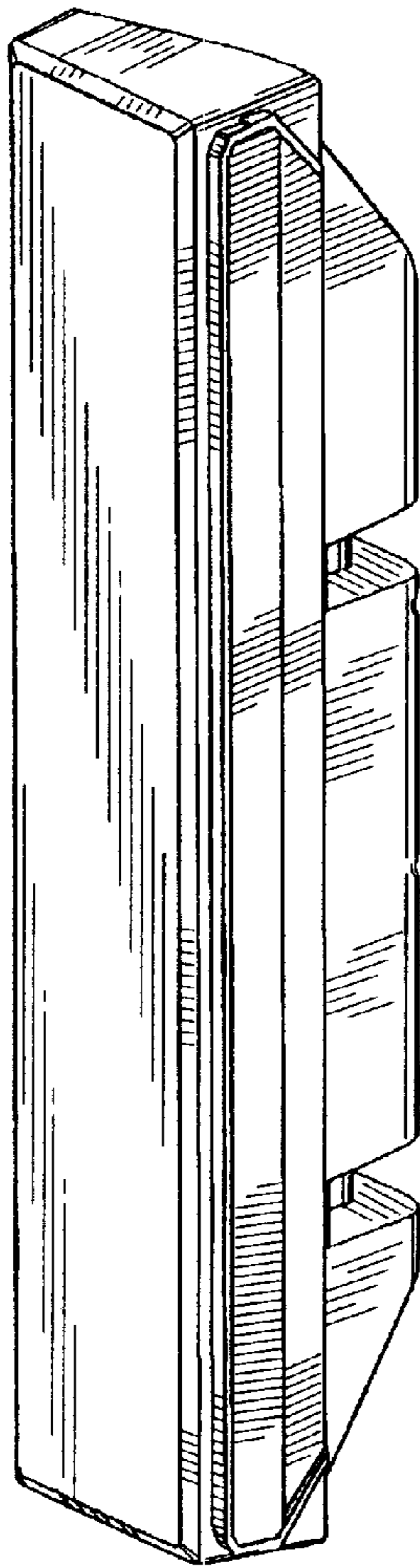


FIG.2

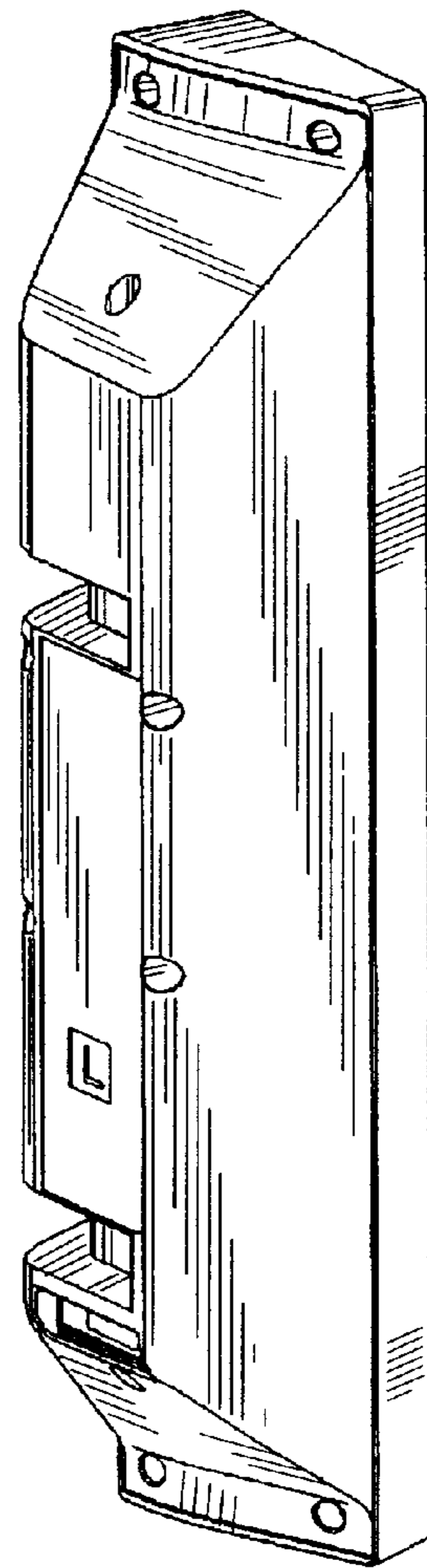


FIG.3

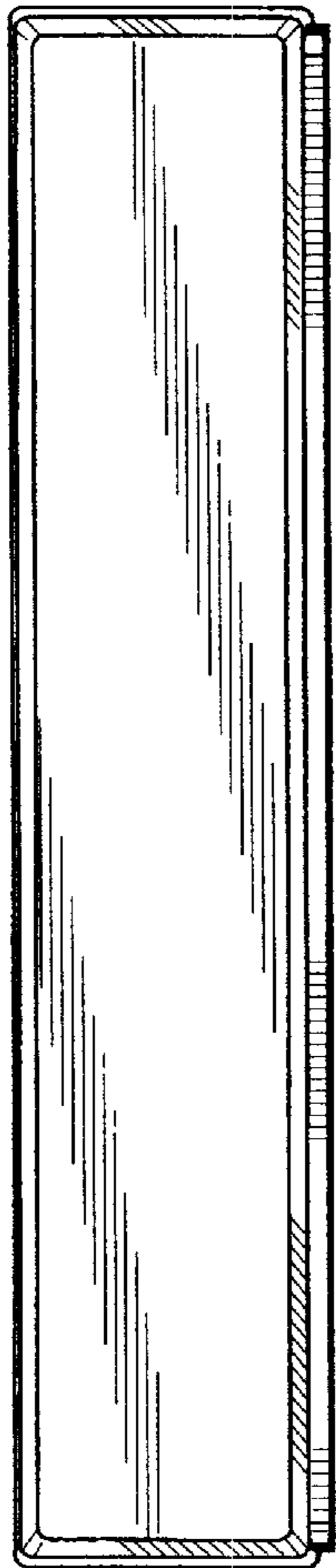


FIG.4



FIG.5

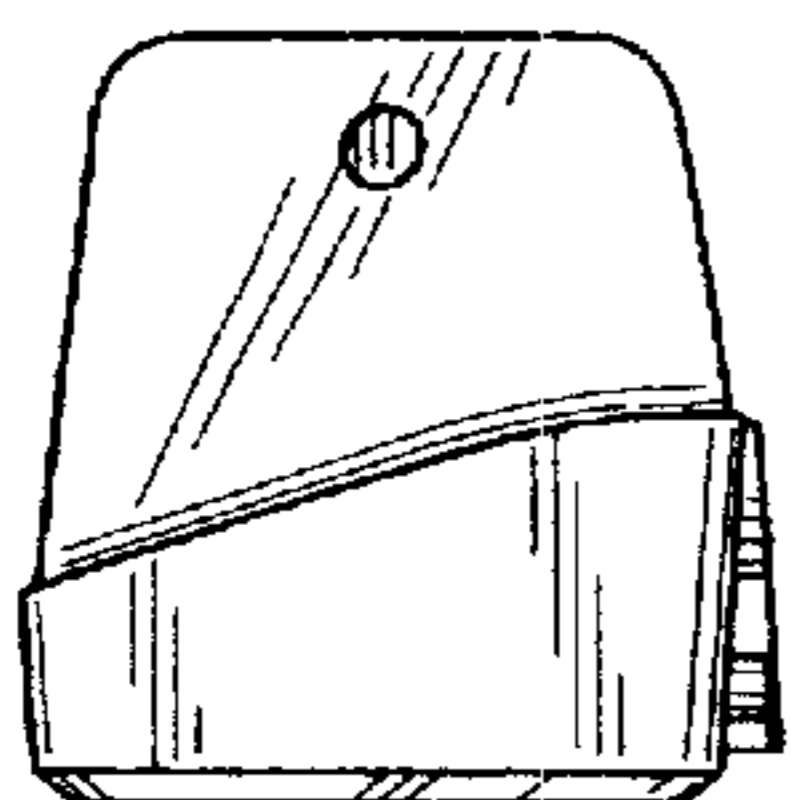


FIG.6

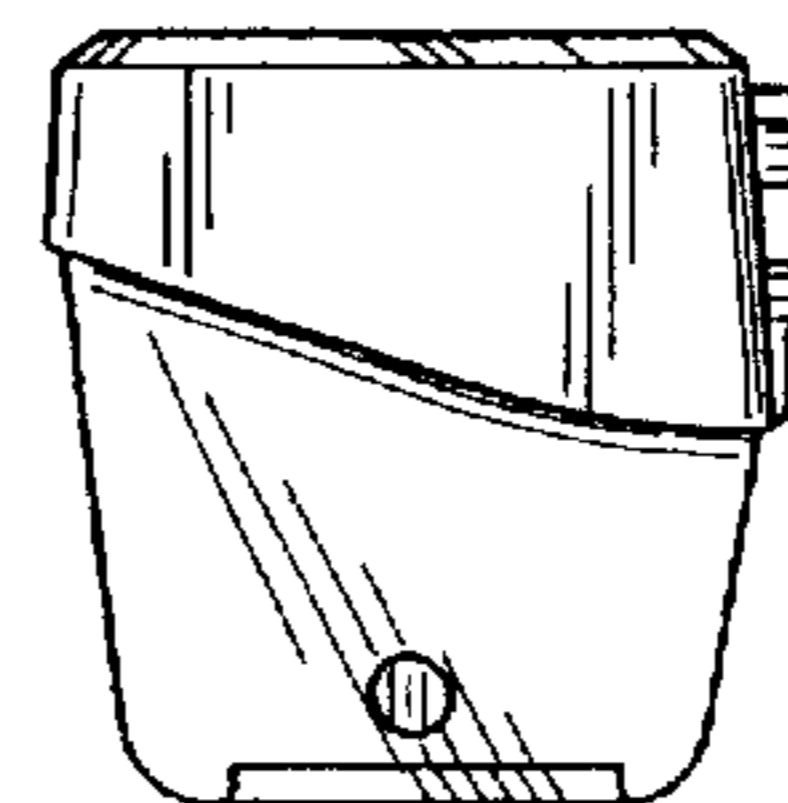


FIG.7

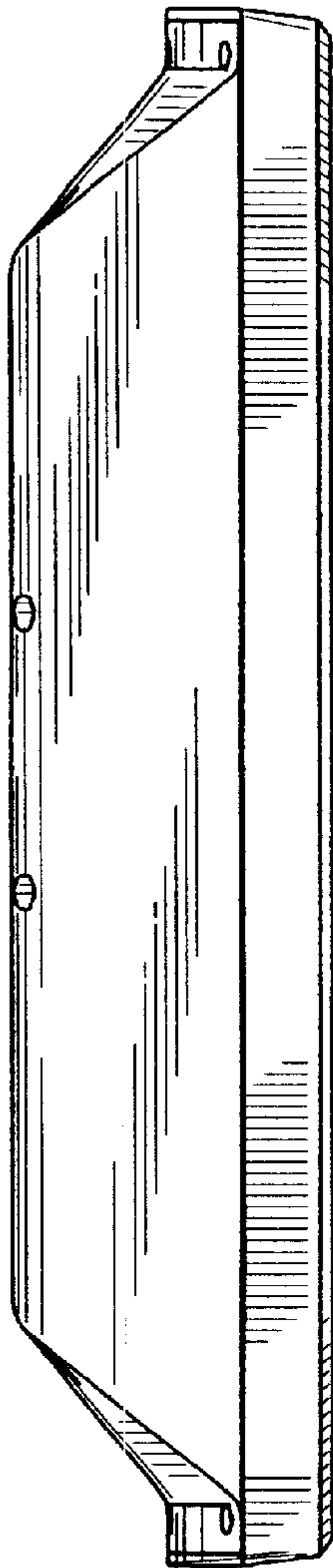


FIG.8

