



US00D531607S

(12) **United States Design Patent**
Kim et al.

(10) **Patent No.:** **US D531,607 S**

(45) **Date of Patent:** **** Nov. 7, 2006**

(54) **PORTABLE PHONE**

(75) Inventors: **Young-Sae Kim**, Palo Alto, CA (US);
Chi-Young Ahn, Seodaemun-Gu (KR);
Beom-Ku Han, Seoul (KR);
Chang-Hwan Hwang, Goyang-Si (KR)

(73) Assignee: **Samsung Electronics Co., Ltd.**,
Suwon-si (KR)

(**) Term: **14 Years**

(21) Appl. No.: **29/234,727**

(22) Filed: **Jul. 22, 2005**

(30) **Foreign Application Priority Data**

Jan. 26, 2005 (KR) 30-2005-0002651

(51) **LOC (8) Cl.** **14-03**

(52) **U.S. Cl.** **D14/138**

(58) **Field of Classification Search** D14/137,
D14/138, 147-148, 247-248, 144, 496, 156,
D14/341-347; 379/433.01-433.13; 348/14.02,
348/14.01, 376; 455/575.4, 566, 575.1, 556.1,
455/556.2, 90.3; D21/329, 331, 333; D16/208
See application file for complete search history.

(56) **References Cited**

U.S. PATENT DOCUMENTS

5,661,632 A	*	8/1997	Register	361/683
D422,595 S	*	4/2000	Taylor et al.	D14/240
D440,959 S	*	4/2001	Wolf et al.	D14/191
D466,096 S	*	11/2002	Takada	D14/138
D476,327 S	*	6/2003	Lewis et al.	D14/331
D479,215 S	*	9/2003	Yokoyama	D14/138
D479,527 S	*	9/2003	Eigenstetter et al.	D14/346
D484,503 S	*	12/2003	Duarte et al.	D14/346
D492,323 S	*	6/2004	Wang	D14/496
D494,151 S	*	8/2004	Walliser et al.	D14/138
D496,944 S	*	10/2004	Huang	D14/496
D498,736 S	*	11/2004	Lee	D14/138
D500,334 S	*	12/2004	Yanagisawa et al.	D16/219
D501,475 S	*	2/2005	Kim	D14/346
D506,753 S	*	6/2005	Duarte et al.	D14/346

D508,240 S * 8/2005 Lee et al. D14/138
D508,473 S * 8/2005 Lee et al. D14/138

(Continued)

OTHER PUBLICATIONS

Samsung D300 telephone, announced Feb. 2006, [online],
[retrieved on Sep. 6, 2006]. Retrieved from Internet, URL:
<http://www.gsmarena.com>>.*

Samsung D550 telephone, announced Jun. 2005, [online],
[retrieved on Jun. 6, 2006]. Retrieved from Internet ,URL:
<http://www.gsmarena.com>>.*

Nokia N93 telephone, announced Apr. 2006, [online], [re-
trieved on Jun. 6, 2006]. Retrieved from Internet ,URL:
<http://www.gsmarena.com>>.*

O2 XDA mini S telephone, announced 3rd quarter 2005,
[online], [retrieved on Jun. 5, 2006]. Retrieved from
Internet ,URL: <http://www.gsmarena.com>>.*

O2 XDA Exec telephone, announced Aug. 2005, [online],
[retrieved on Jun. 5, 2006]. Retrieved from Internet ,URL:
<http://www.gsmarena.com>>.*

Motorola A630 telephone, announced 1st quarter 2004,
[online], [retrieved on Jun. 5, 2006]. Retrieved from
Internet ,URL: <http://www.gsmarena.com>>.*

Primary Examiner—Jeffrey Asch

(74) *Attorney, Agent, or Firm*—Staas & Halsey LLP

(57) **CLAIM**

The ornamental design for the portable phone, as shown and
described.

DESCRIPTION

FIG. 1 is a perspective view of the portable phone showing
our design;

FIG. 2 is a front view thereof;

FIG. 3 is a rear view thereof;

FIG. 4 is a left side view thereof;

FIG. 5 is a right side view thereof;

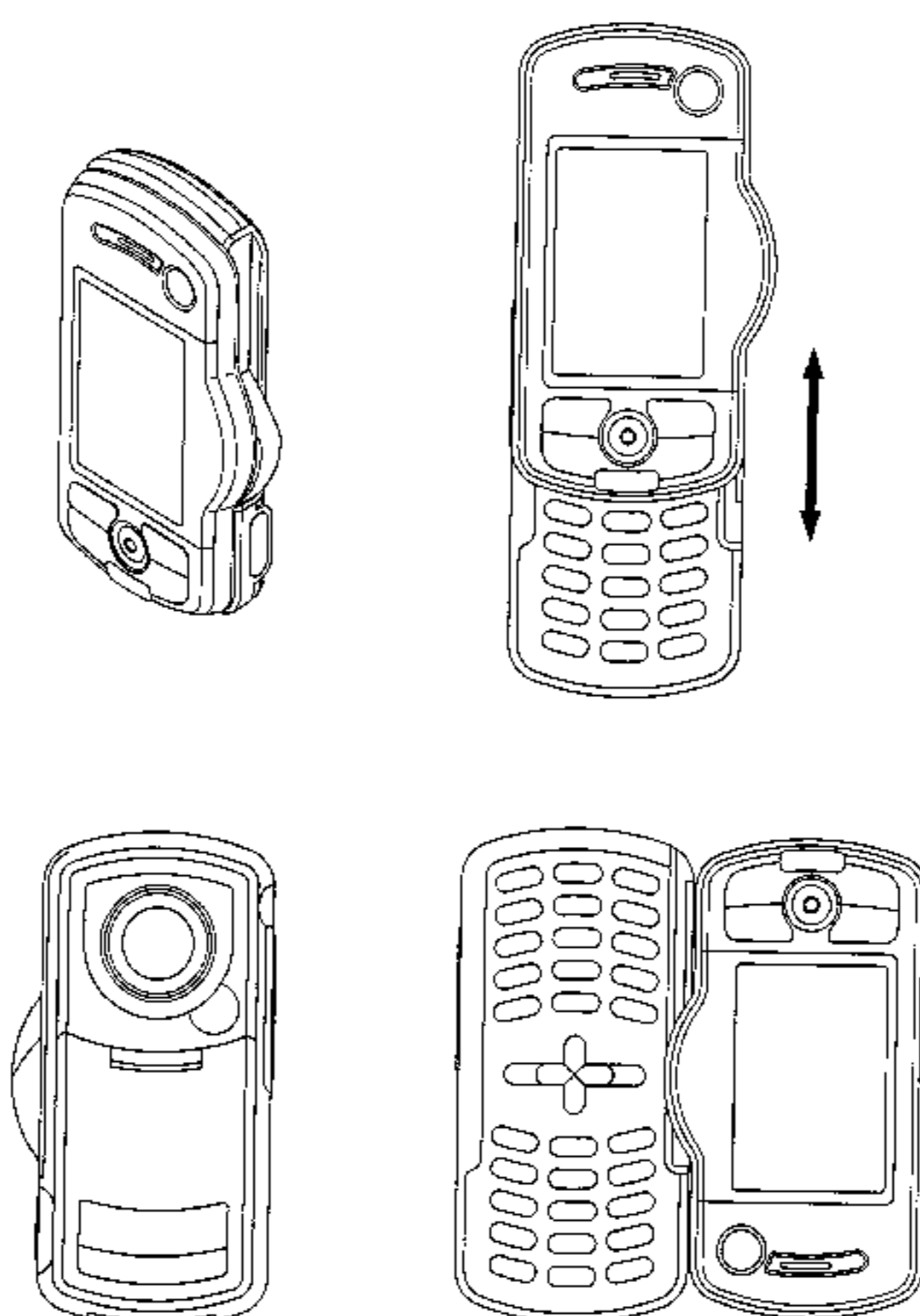
FIG. 6 is a top plan view thereof;

FIG. 7 is a bottom plan view thereof;

FIG. 8 is an open view thereof; and,

FIG. 9 is another open view thereof.

1 Claim, 6 Drawing Sheets



US D531,607 S

Page 2

U.S. PATENT DOCUMENTS

D508,688	S	*	8/2005	Lee et al.	D14/138	2005/0090298	A1	*	4/2005	Park et al.	455/575.4
D515,544	S	*	2/2006	Kim et al.	D14/138	2005/0107119	A1	*	5/2005	Lee et al.	455/556.1
D519,998	S	*	5/2006	Park	D14/346	2005/0164751	A1	*	7/2005	Nishihara	455/575.1
D520,020	S	*	5/2006	Senda et al.	D14/496	2005/0245296	A1	*	11/2005	Hong et al.	455/575.3
2002/0016187	A1	*	2/2002	Hirayama et al.	455/566	2005/0255897	A1	*	11/2005	Lee et al.	455/575.4
2003/0125094	A1	*	7/2003	Hyun et al.	455/566	2005/0266897	A1	*	12/2005	Ahn et al.	455/575.1
2004/0266477	A1	*	12/2004	Murata	455/556.1	2006/0019614	A1	*	1/2006	Yamasaki	455/90.2
2005/0026658	A1	*	2/2005	Soejima	455/575.1	2006/0019728	A1	*	1/2006	Sakamoto et al.	455/575.3
2005/0059438	A1	*	3/2005	Jellicoe	455/555.1	2006/0025184	A1	*	2/2006	Cho et al.	455/575.4
2005/0070348	A1	*	3/2005	Lee et al.	455/575.4							

* cited by examiner

FIG. 1

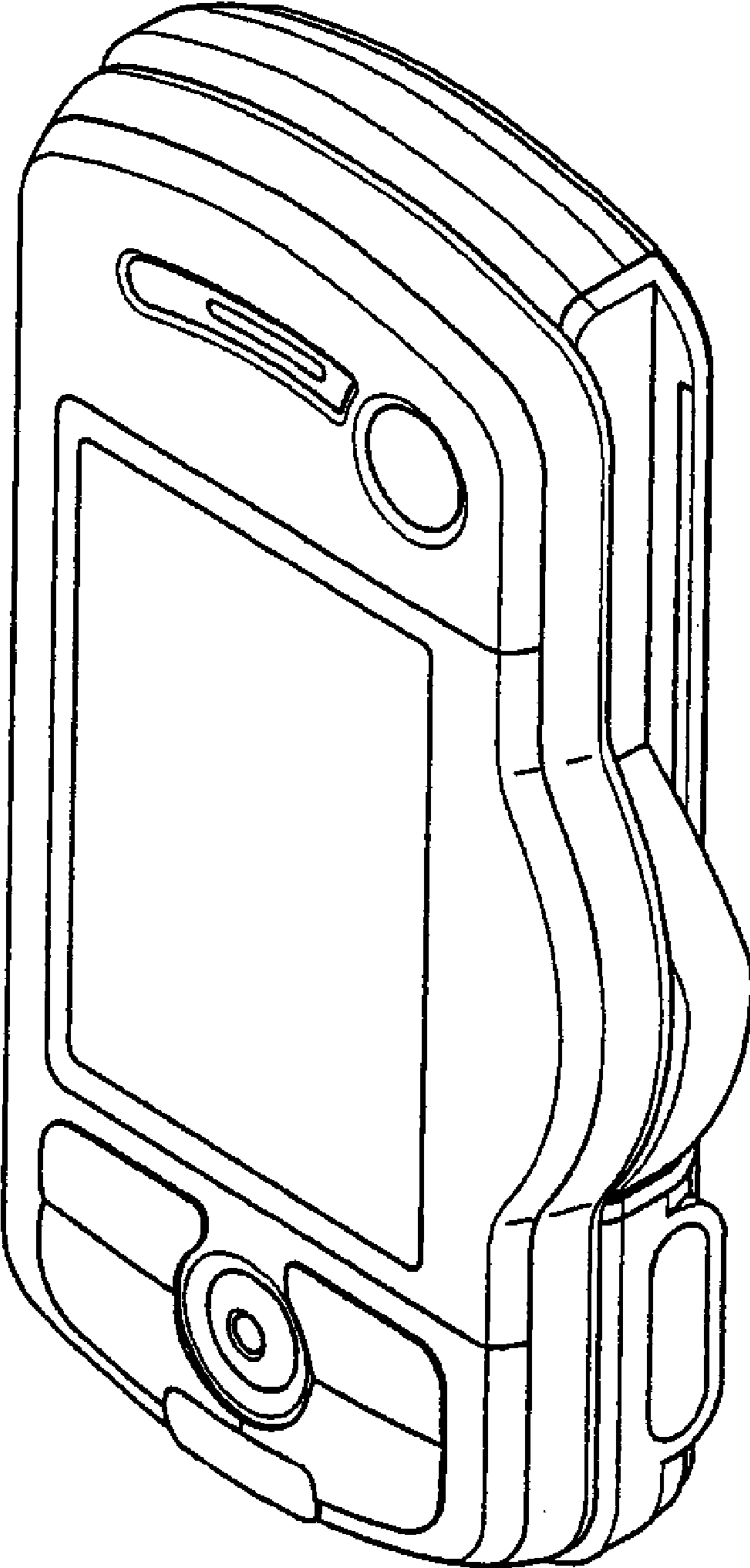


FIG. 2

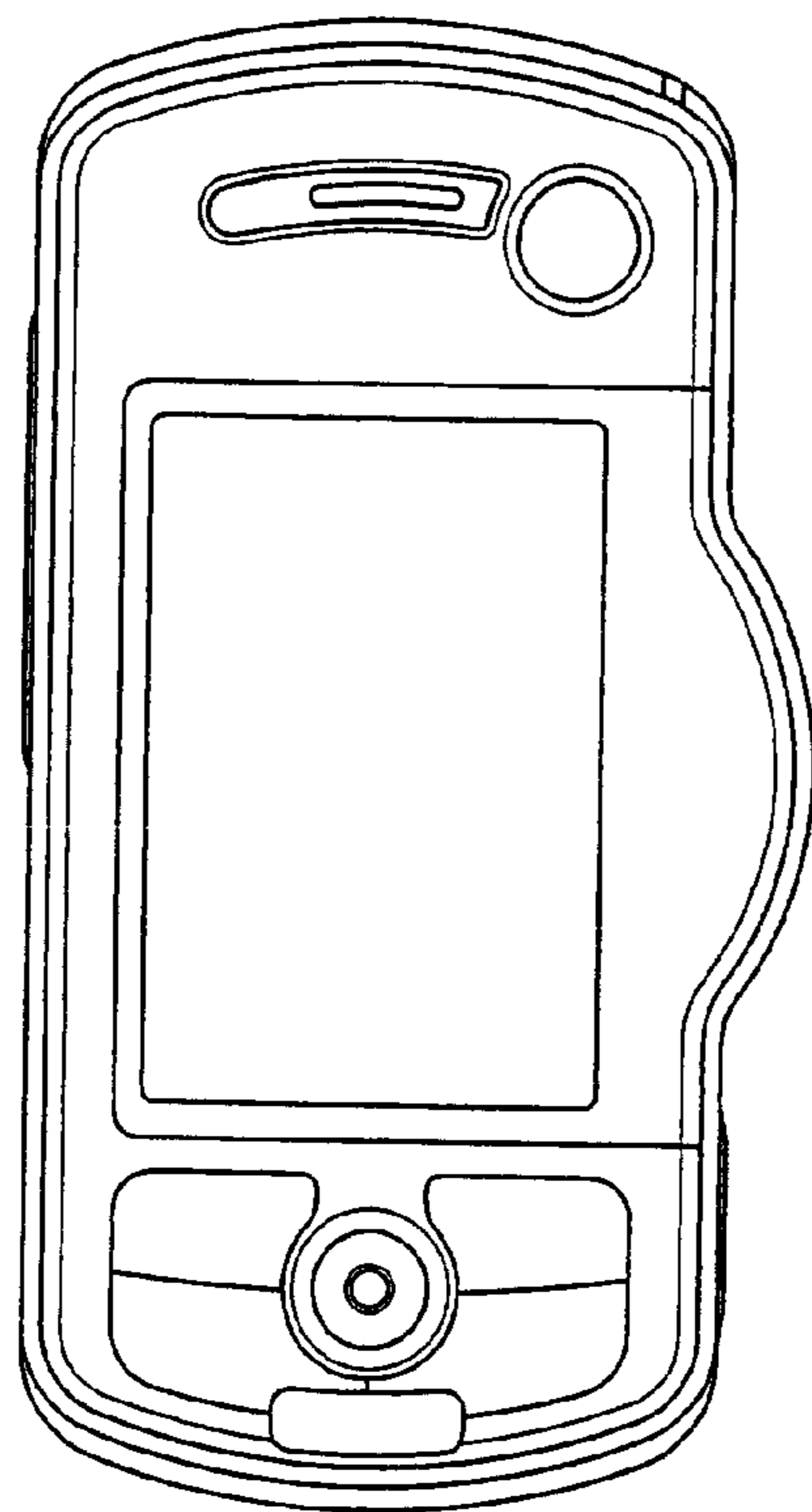
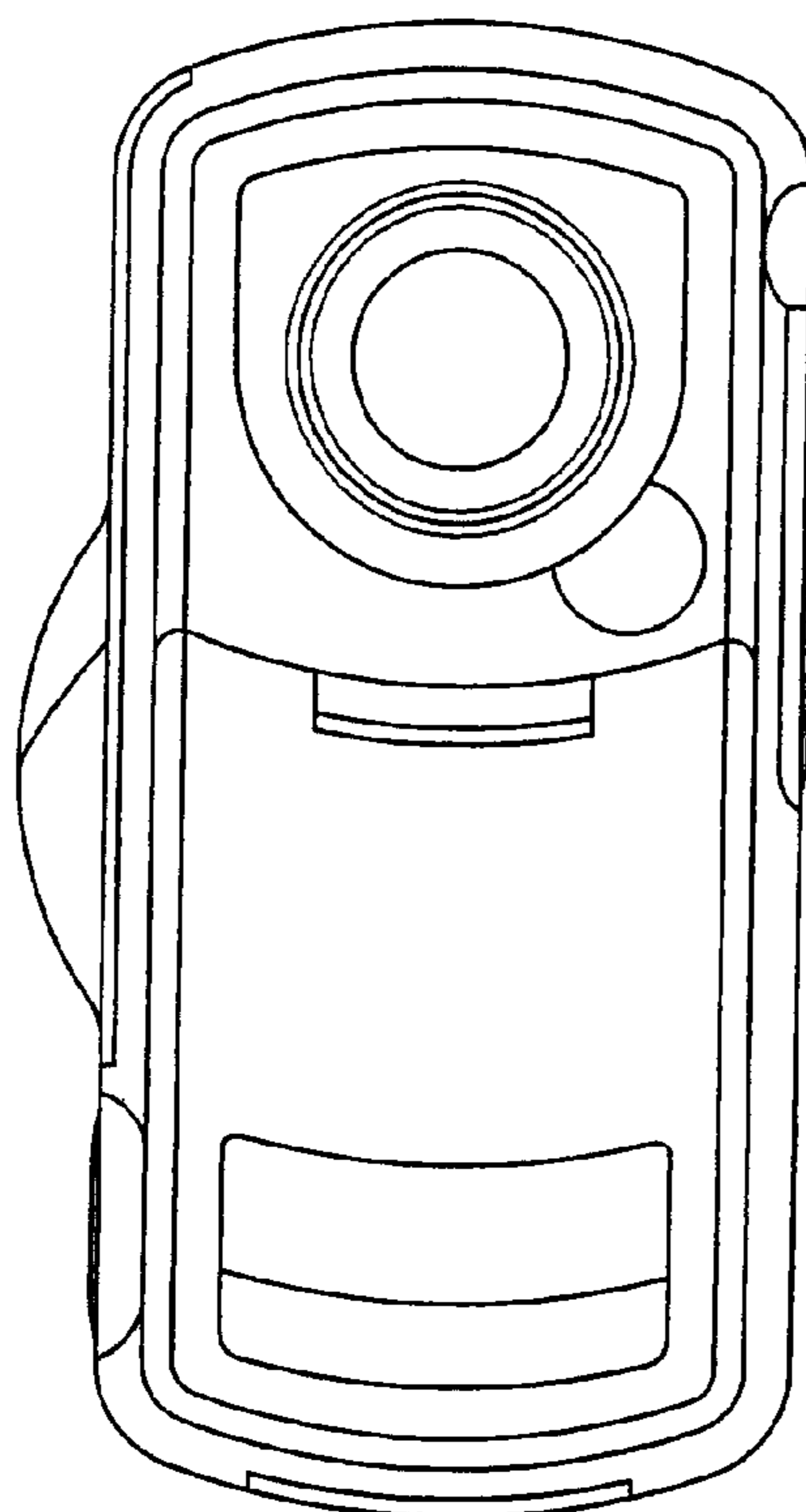


FIG. 3



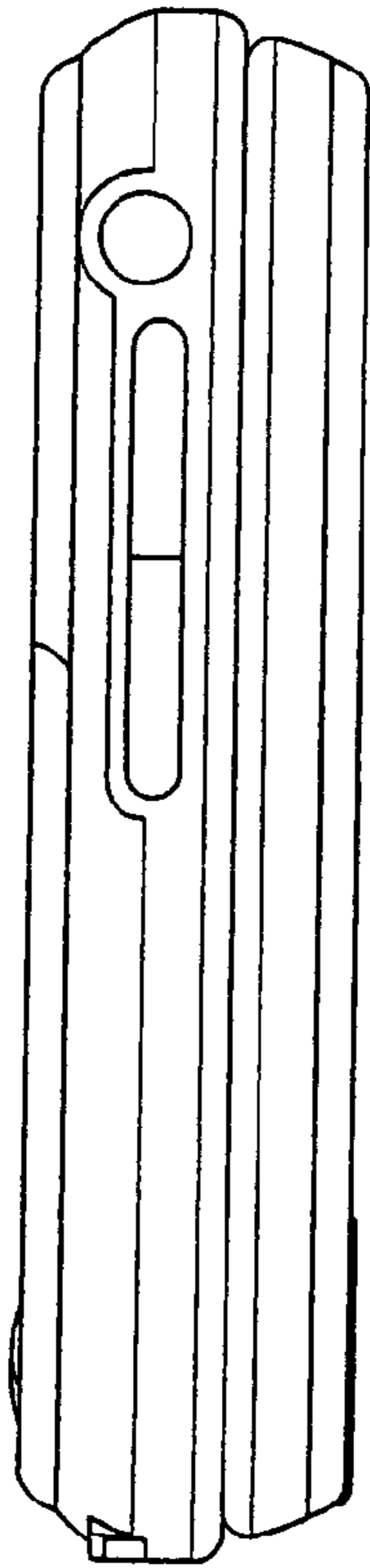


FIG. 4

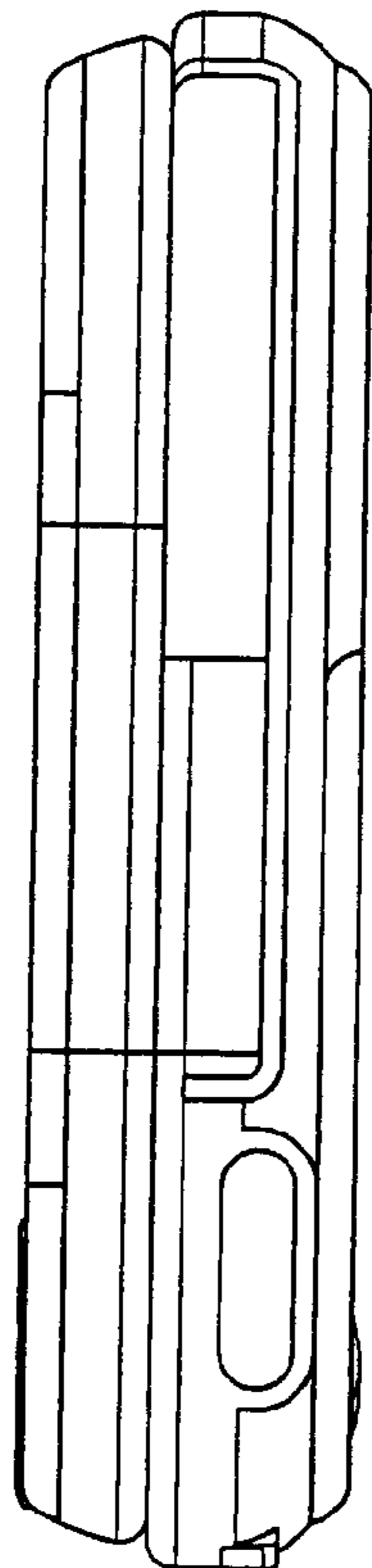


FIG. 5

FIG. 6

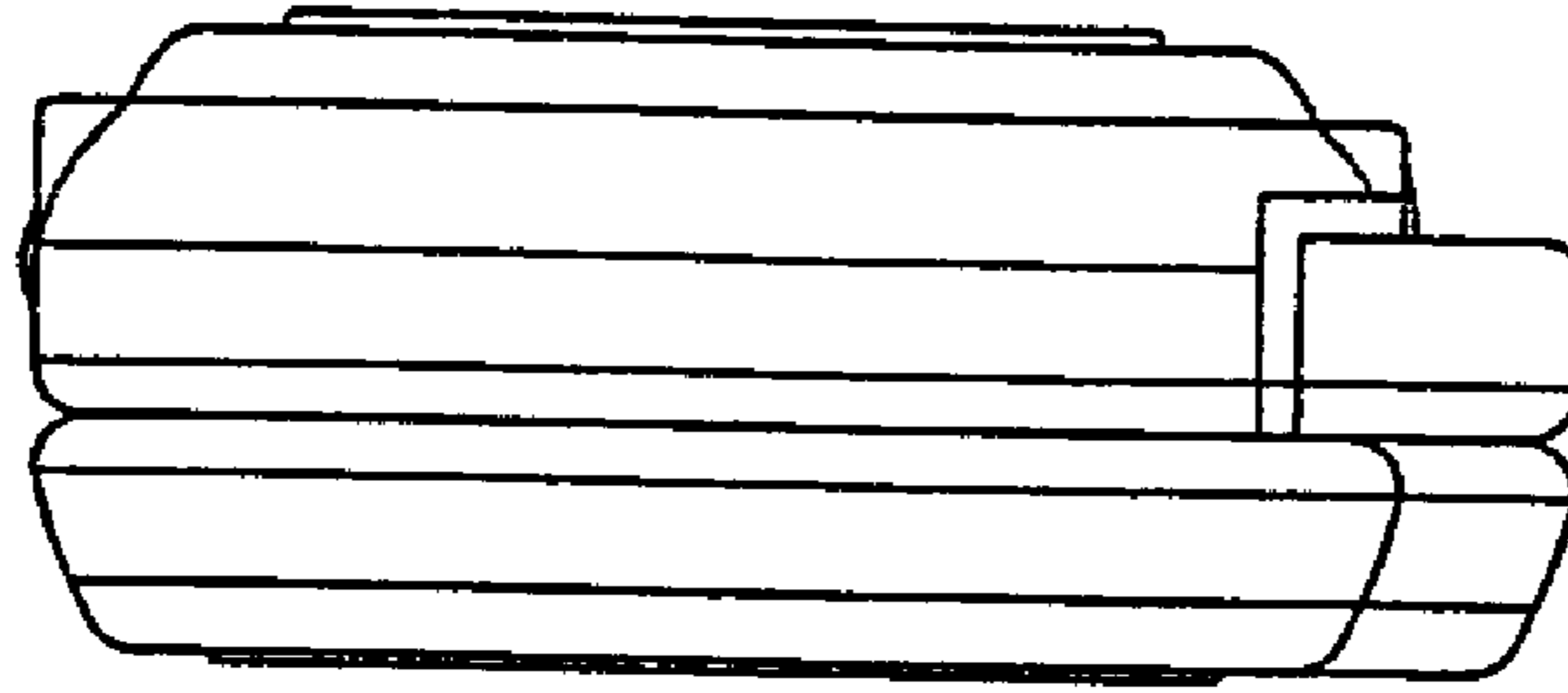


FIG. 7

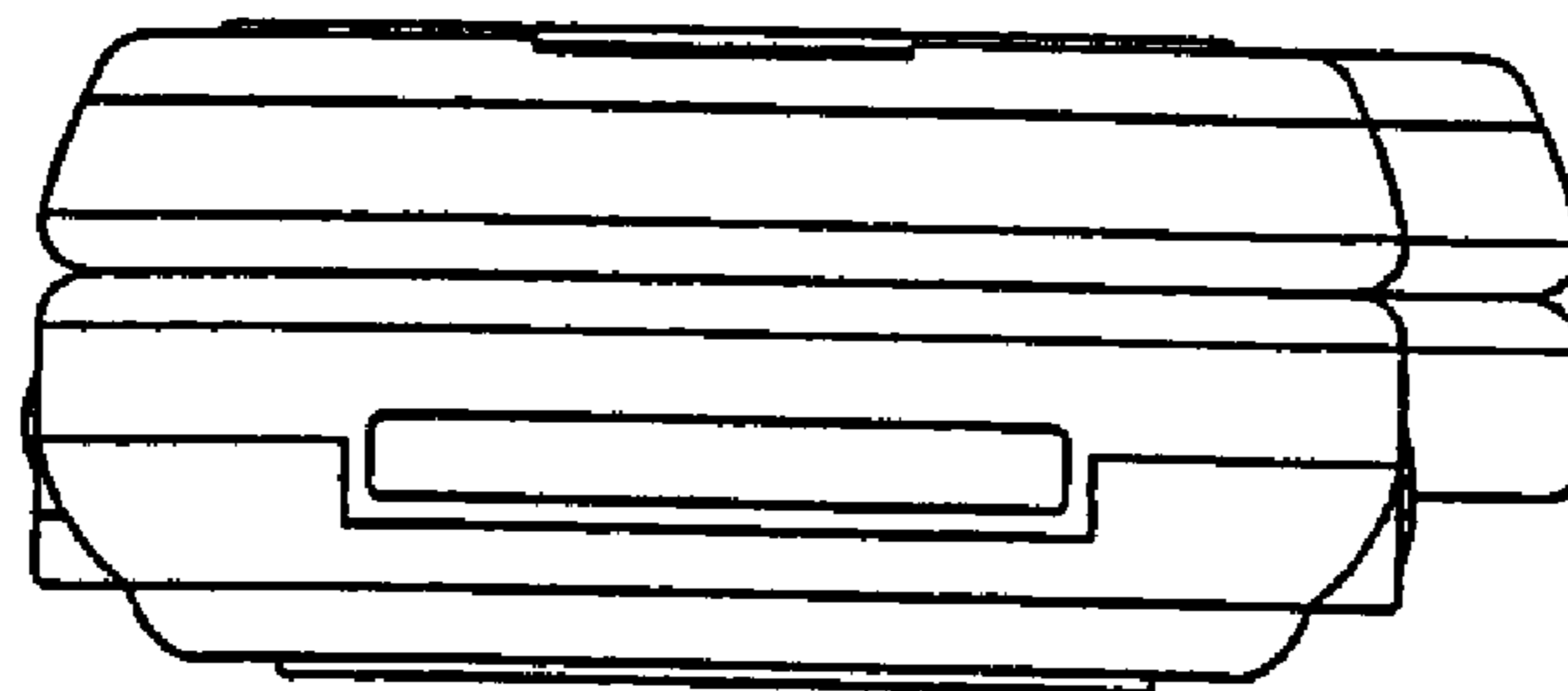


FIG. 8

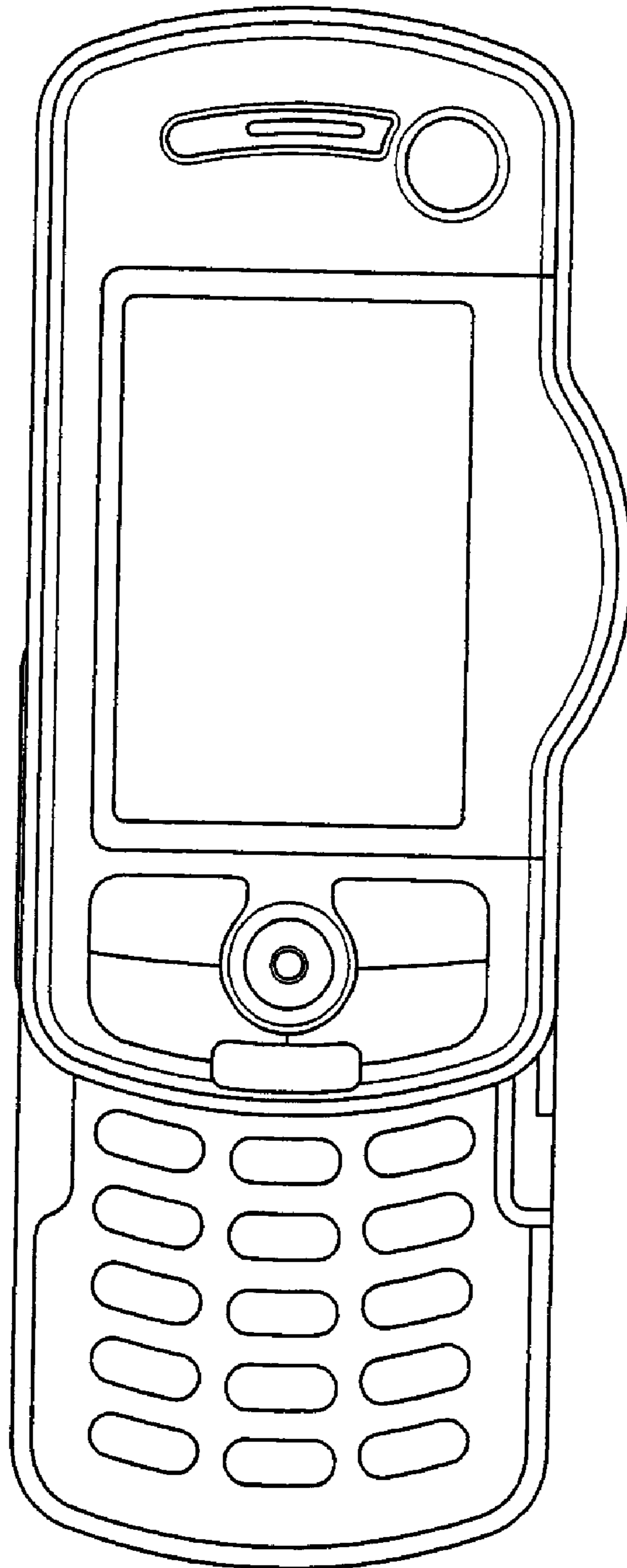


FIG. 9

