



US00D531600S

(12) **United States Design Patent**  
**Nakata**

(10) **Patent No.:** **US D531,600 S**

(45) **Date of Patent:** **\*\* Nov. 7, 2006**

(54) **TELEVISION SET**

(75) Inventor: **Kazuyuki Nakata**, Toyko (JP)

(73) Assignee: **Hannspree, Inc.**, Taipei (TW)

(\*\*) Term: **14 Years**

(21) Appl. No.: **29/241,645**

(22) Filed: **Oct. 31, 2005**

(30) **Foreign Application Priority Data**

Jun. 10, 2005 (TW) ..... 94303483

(51) **LOC (8) Cl.** ..... **14-03**

(52) **U.S. Cl.** ..... **D14/126**

(58) **Field of Classification Search** ..... D14/125-134,  
D14/239, 371, 136, 374-377; 312/7.2; 348/836,  
348/838, 180, 184, 325, 739; 341/12; 248/917-924,  
248/465; 345/104, 133, 156, 168, 87, 173;  
720/605, 669, 600, 655; 369/99, 197; 455/344-347  
See application file for complete search history.

(56) **References Cited**

**U.S. PATENT DOCUMENTS**

D323,324 S \* 1/1992 Suda ..... D14/125

D458,910 S \* 6/2002 Kita ..... D14/126

D472,554 S \* 4/2003 Zuege et al. .... D14/375

D481,038 S \* 10/2003 Borsboom et al. .... D14/375

D496,660 S \* 9/2004 Liu ..... D14/371

D497,351 S \* 10/2004 Kita ..... D14/126

\* cited by examiner

*Primary Examiner*—Raphael Barkai

(74) *Attorney, Agent, or Firm*—Birch, Stewart, Kolasch & Birch, LLP

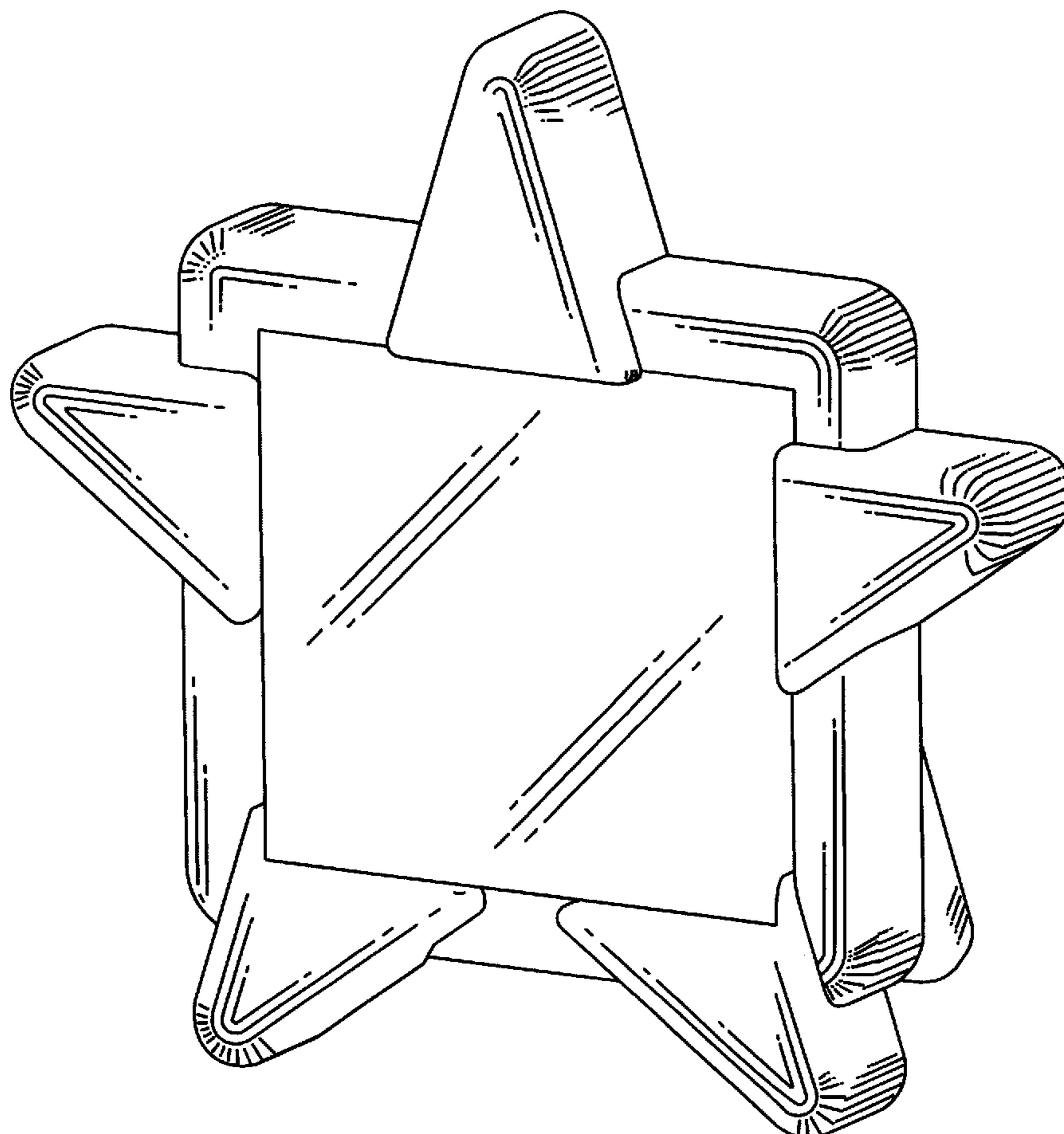
(57) **CLAIM**

The ornamental design for a television set, as shown and described.

**DESCRIPTION**

FIG. 1. is a perspective view thereof;  
FIG. 2. is a front elevational view thereof;  
FIG. 3. is a rear elevational view thereof;  
FIG. 4. is a left side elevational view thereof;  
FIG. 5. is a right side elevational view thereof;  
FIG. 6. is a top plan view thereof; and,  
FIG. 7. is a bottom plan view thereof.

**1 Claim, 7 Drawing Sheets**



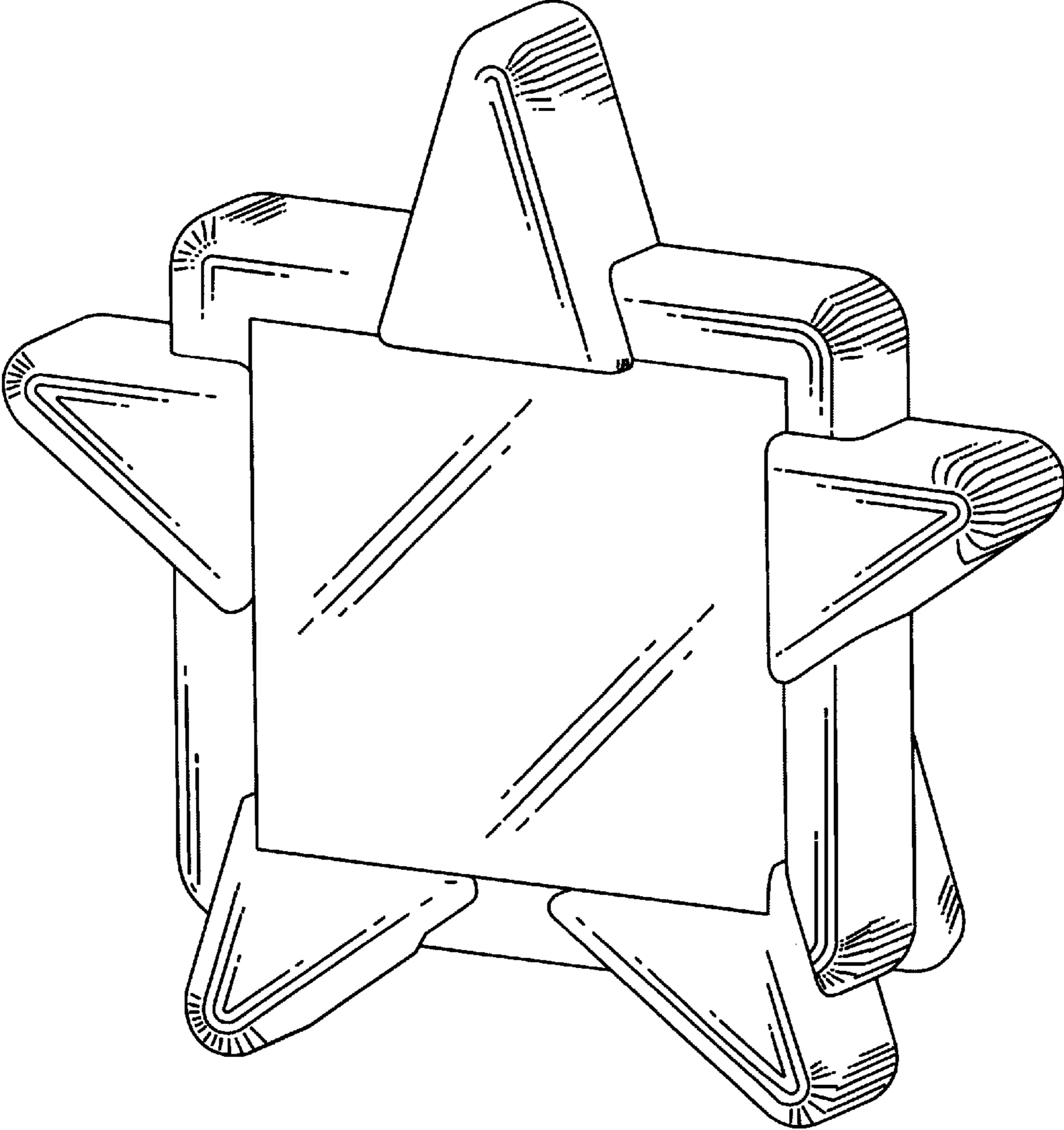


FIG.1

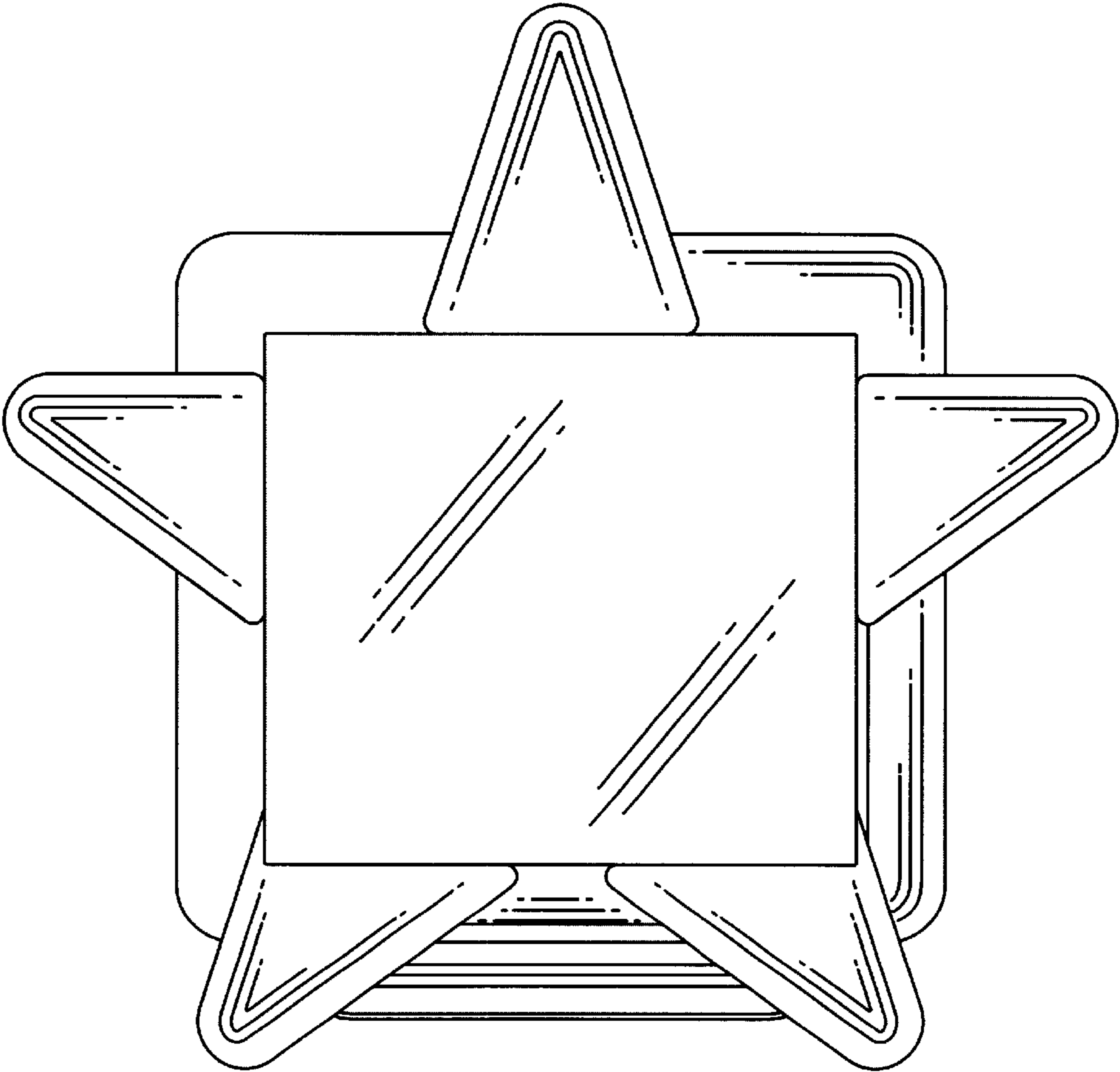


FIG.2

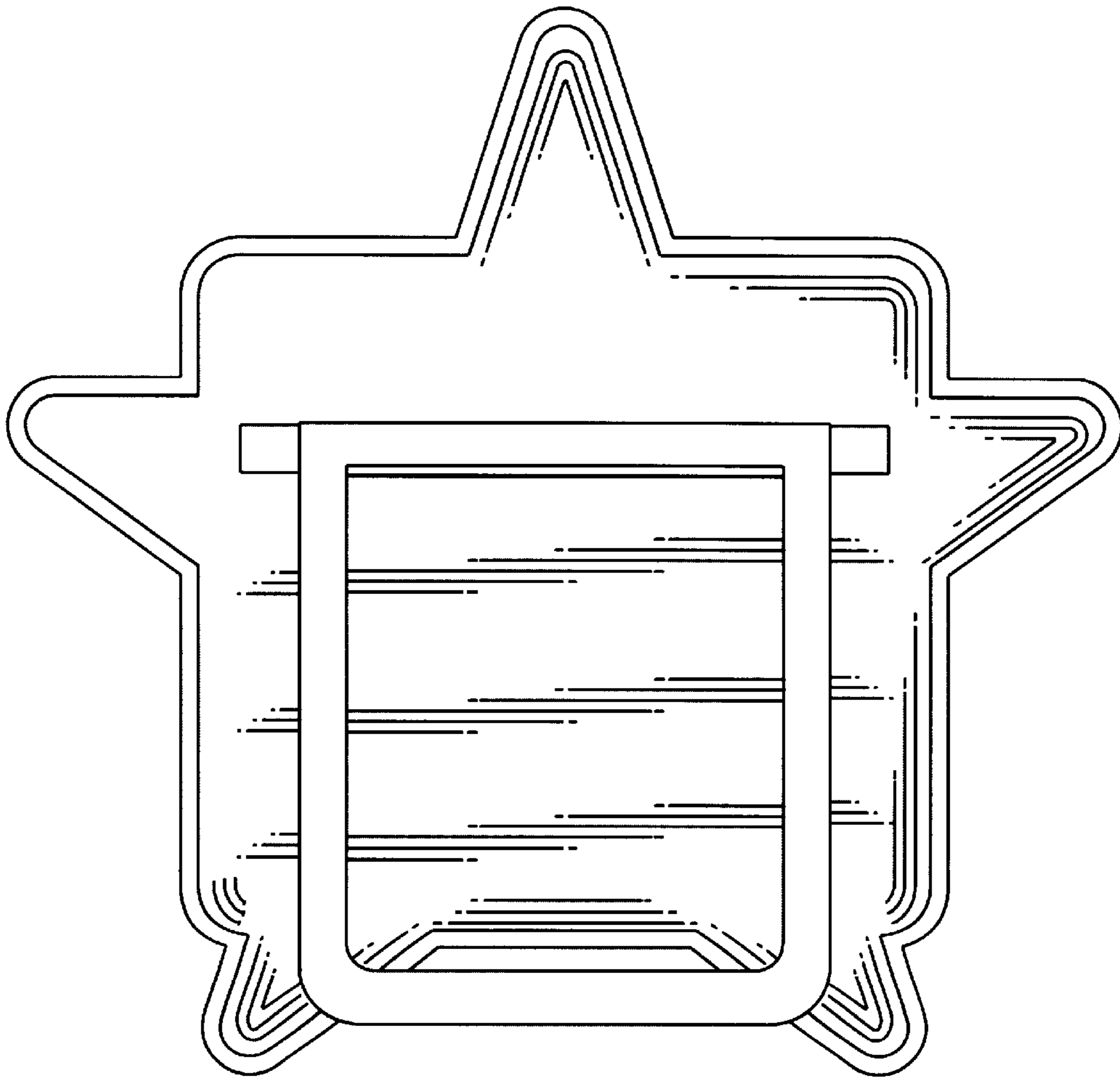


FIG.3

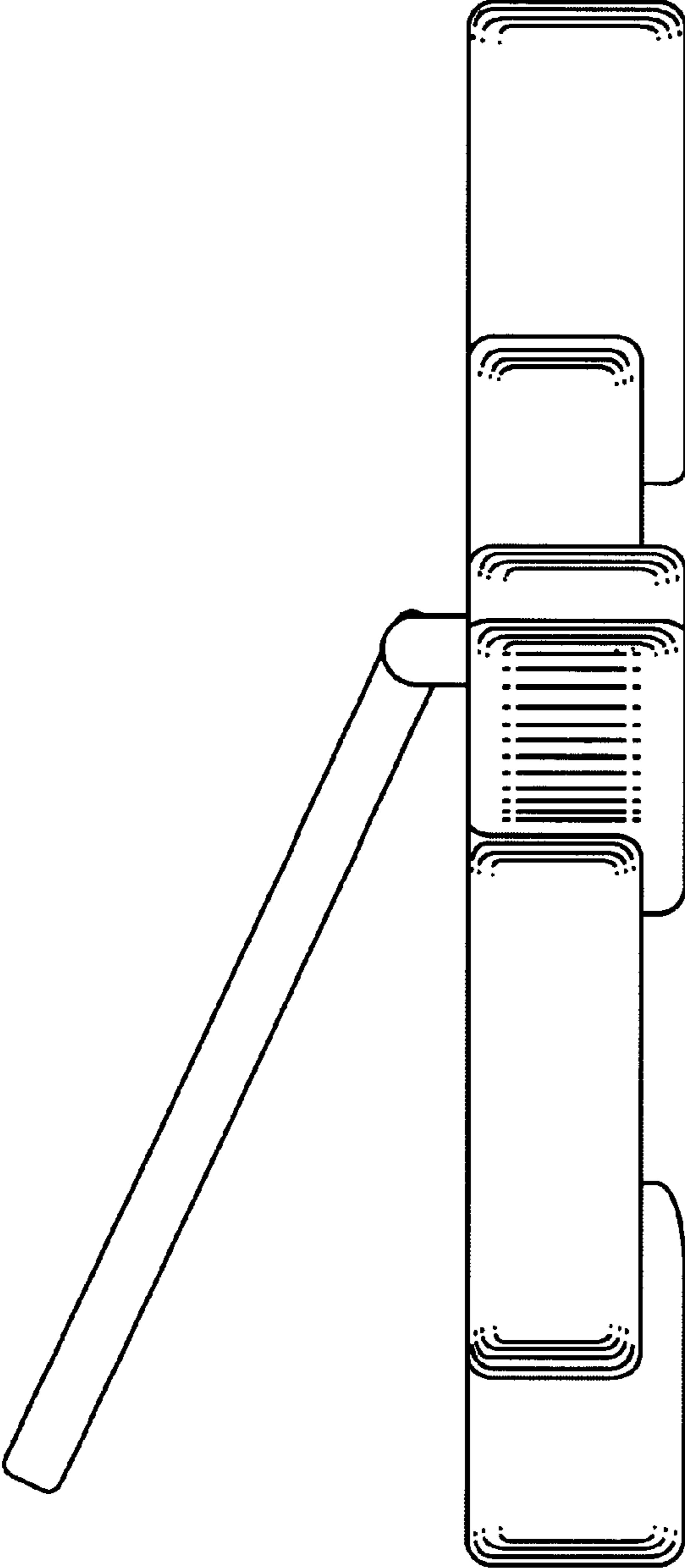


FIG.4

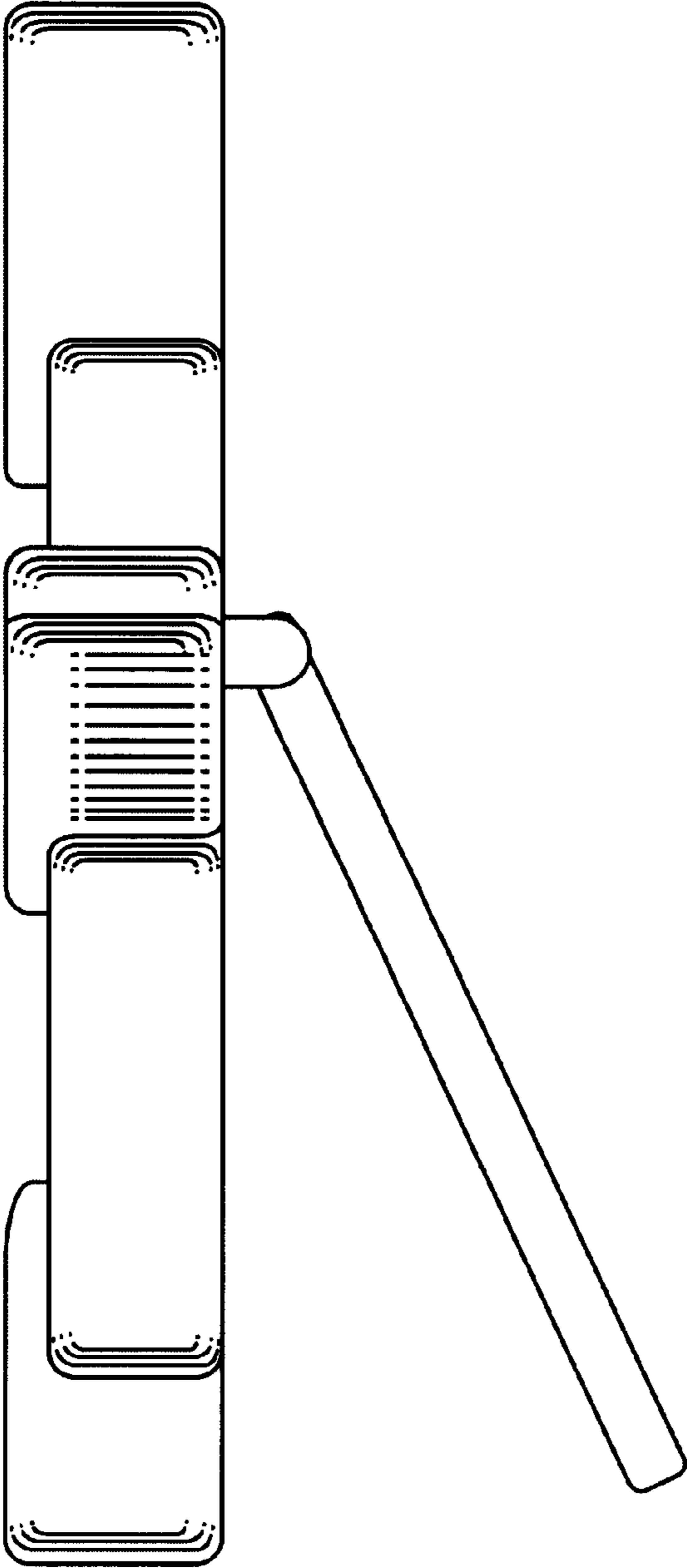


FIG.5

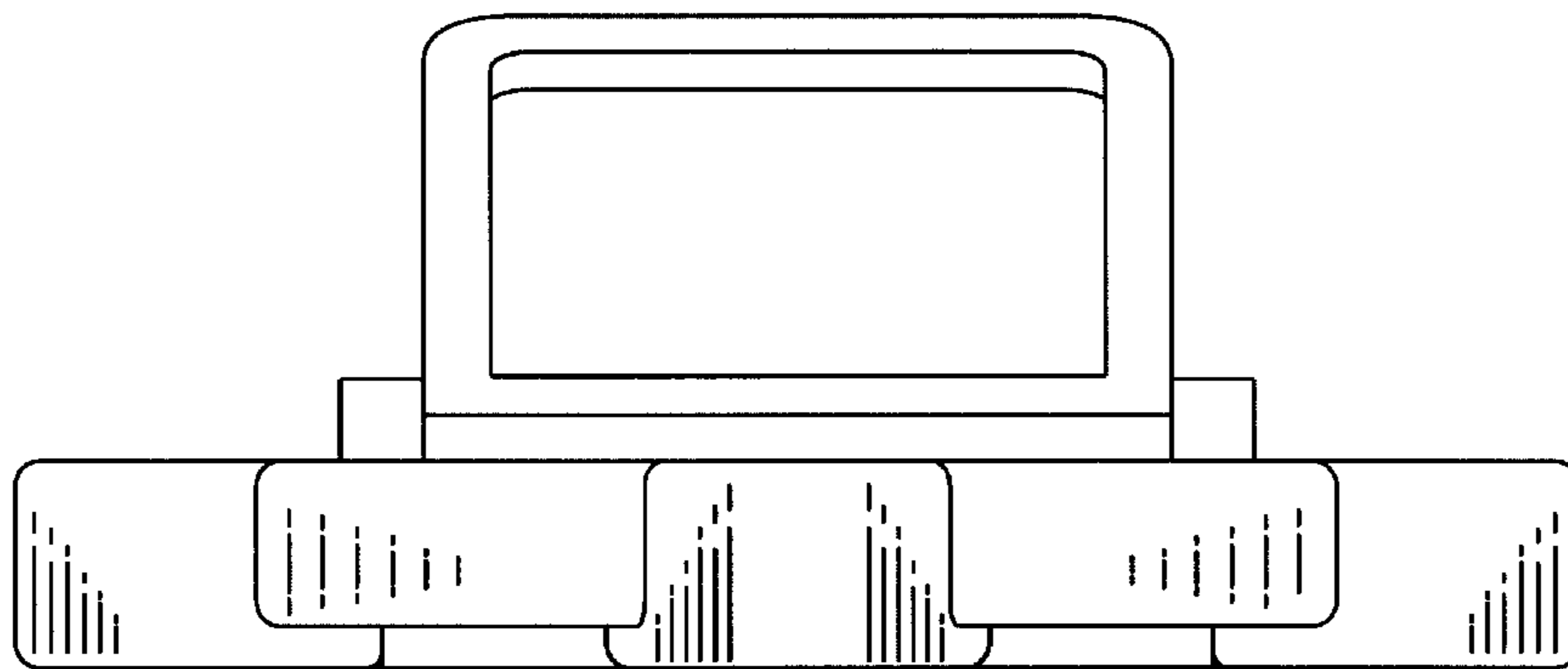


FIG.6

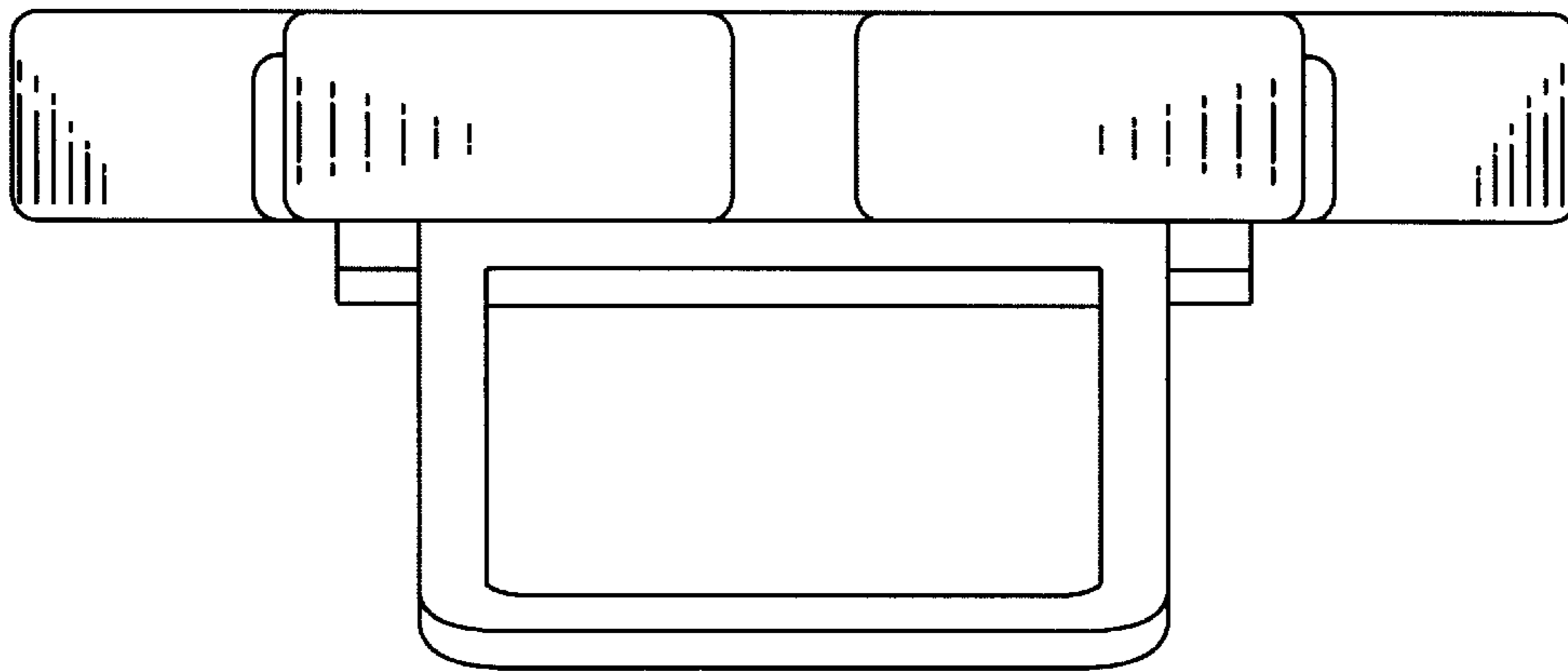


FIG.7