



US00D531590S

(12) **United States Design Patent**
Maeyama

(10) **Patent No.:** **US D531,590 S**
(45) **Date of Patent:** **** Nov. 7, 2006**

(54) **TUNER FOR A TELEVISION RECEIVER**

D459,319 S * 6/2002 Ahn D14/125

(75) Inventor: **Koichi Maeyama**, Tokyo (JP)

FOREIGN PATENT DOCUMENTS

(73) Assignee: **Sony Corporation**, Tokyo (JP)

JP D1082171 S 8/2000

(**) Term: **14 Years**

OTHER PUBLICATIONS

(21) Appl. No.: **29/222,516**

eCost.com catalog dated 2003 p. 31.*
Web page "AN-DU1-S" www.yodobashi.com, 1 sheet,
Yodobashi Camera (Dec. 2004).
Web page "TU-PH210" http://proddb.matsushita.co.jp/prod-
uct/info.do?pg=04&hb=TU-PH210, 1 sheet, Matsushita
Electric Co. (Nov. 2004).

(22) Filed: **Feb. 2, 2005**

(51) **LOC (8) Cl.** **14-03**

(52) **U.S. Cl.** **D14/125**

(58) **Field of Classification Search** D14/125-126,
D14/356, 361-363, 365, 496, 242, 299, 135,
D14/136, 239; 348/10, 460, 706; 361/690-696;
312/208.1, 223.2, 7.1; 455/6.1, 6.2
See application file for complete search history.

* cited by examiner

Primary Examiner—Raphael Barkai
Assistant Examiner—Randall H. Gholson
(74) *Attorney, Agent, or Firm*—Rader, Fishman & Grauer
PLLC

(56) **References Cited**

(57) **CLAIM**

U.S. PATENT DOCUMENTS

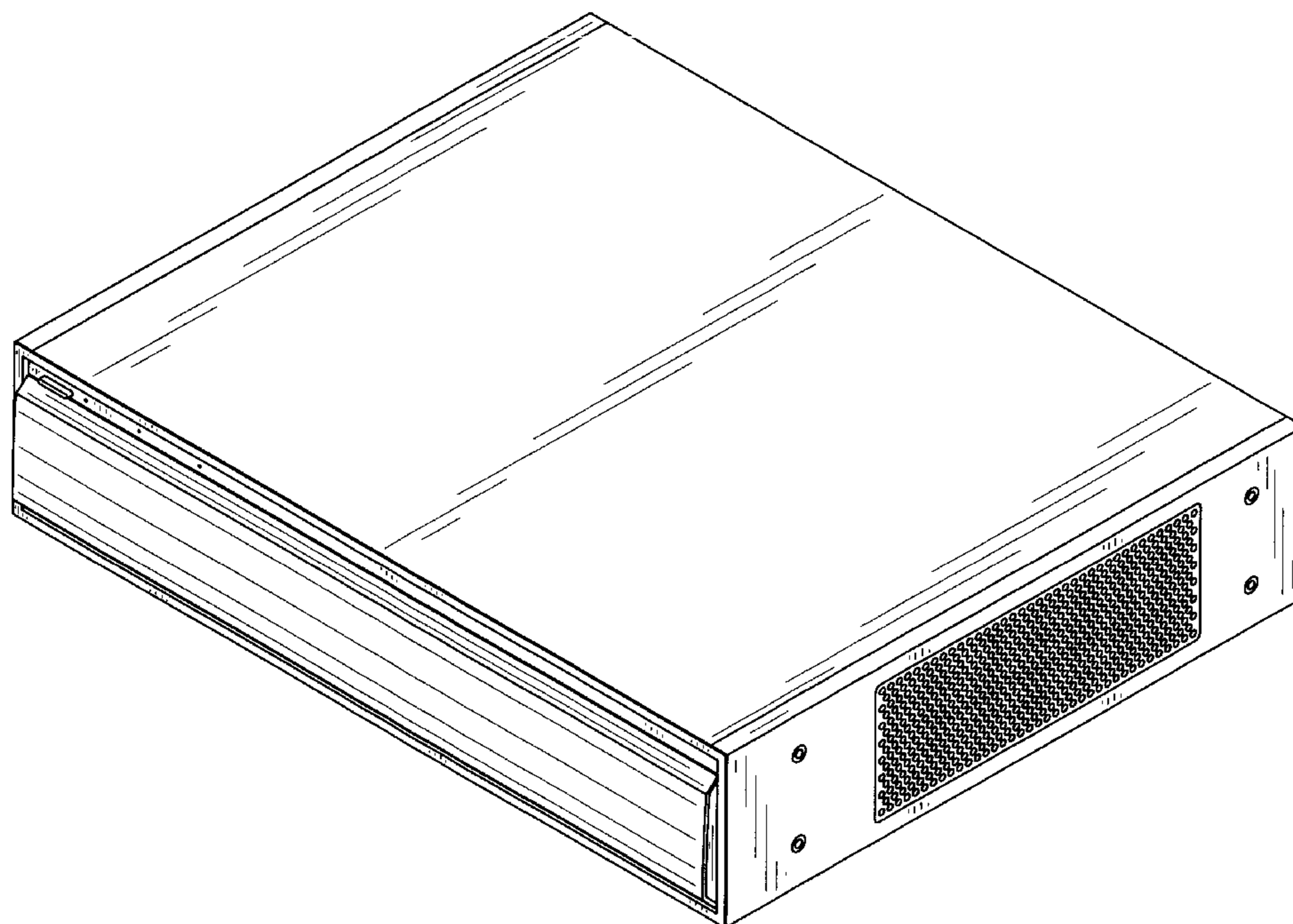
The ornamental design for a tuner for a television receiver,
as shown.

D301,880 S	*	6/1989	Shim	D14/135
D307,910 S	*	5/1990	Tominaga et al.	D14/299
D313,230 S	*	12/1990	Isaacs	D14/125
D327,676 S	*	7/1992	Yang	D14/135
D349,697 S	*	8/1994	Fujino	D14/125
D355,197 S	*	2/1995	Farinelli et al.	D14/257
D400,208 S	*	10/1998	Fenner	D14/125
D407,393 S		3/1999	Kazama		
D410,918 S	*	6/1999	Matsuzaka	D14/135
D431,032 S		9/2000	Sasago		
D431,239 S		9/2000	Sasago		
D435,026 S		12/2000	Sasago		
D441,375 S		5/2001	Hisatsune et al.		
D444,137 S		6/2001	Miyazaki		

DESCRIPTION

FIG. 1 is a perspective view of a tuner for a television receiver showing my new design;
FIG. 2 is a front elevational view thereof;
FIG. 3 is a rear elevational view thereof;
FIG. 4 is a left side elevational view thereof;
FIG. 5 is a right side elevational view thereof;
FIG. 6 is a top plan view thereof; and,
FIG. 7 is a bottom plan view thereof.

1 Claim, 4 Drawing Sheets



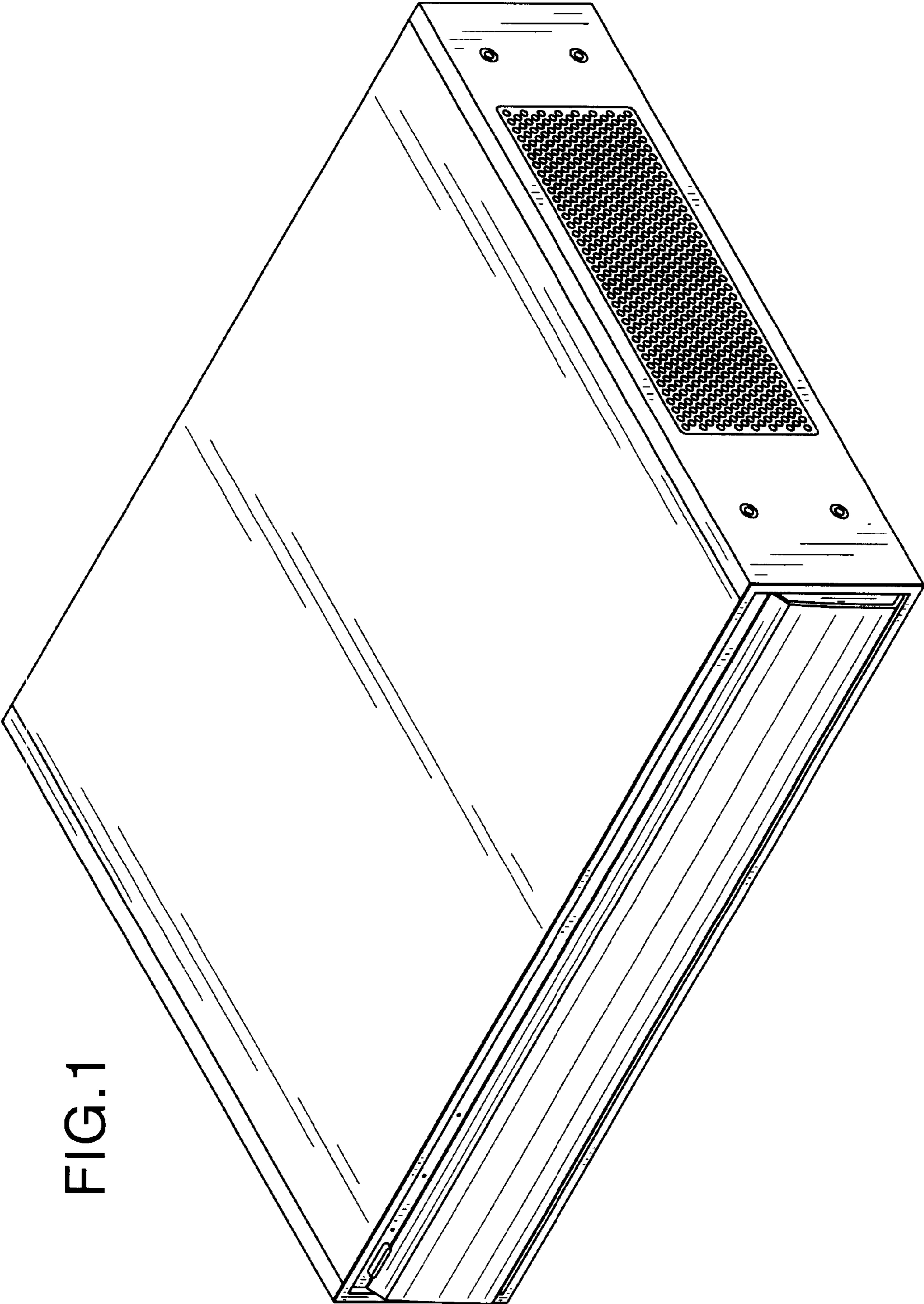


FIG.1

FIG.2

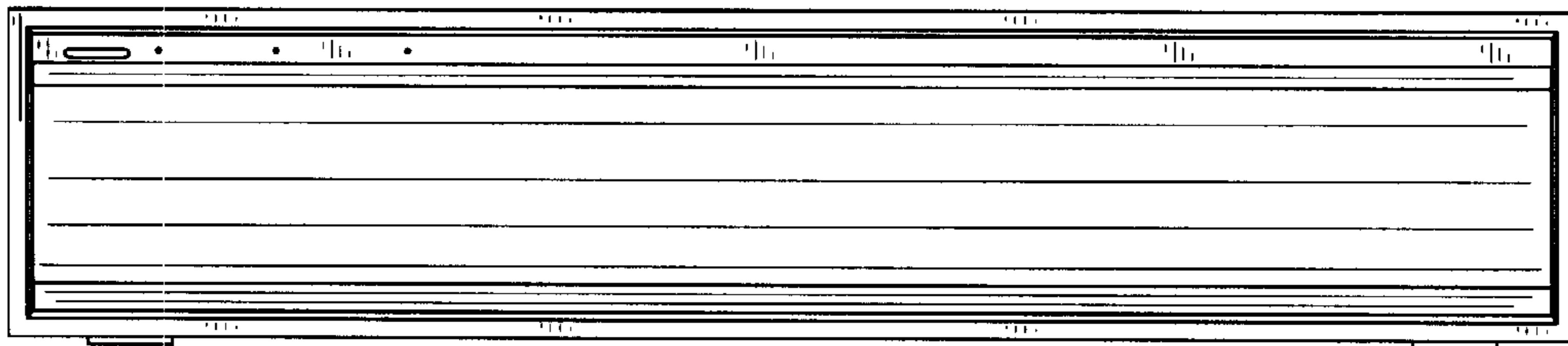


FIG.3

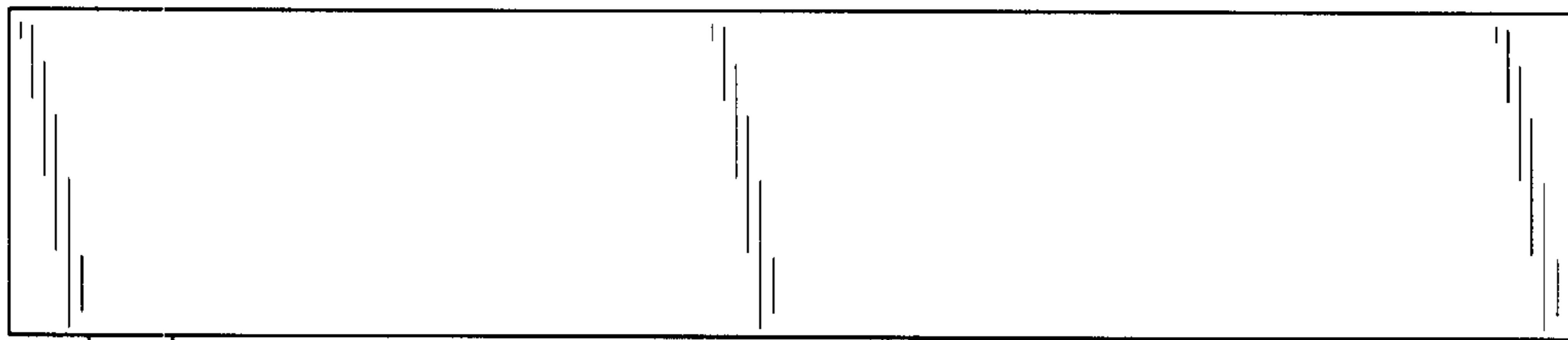


FIG.4

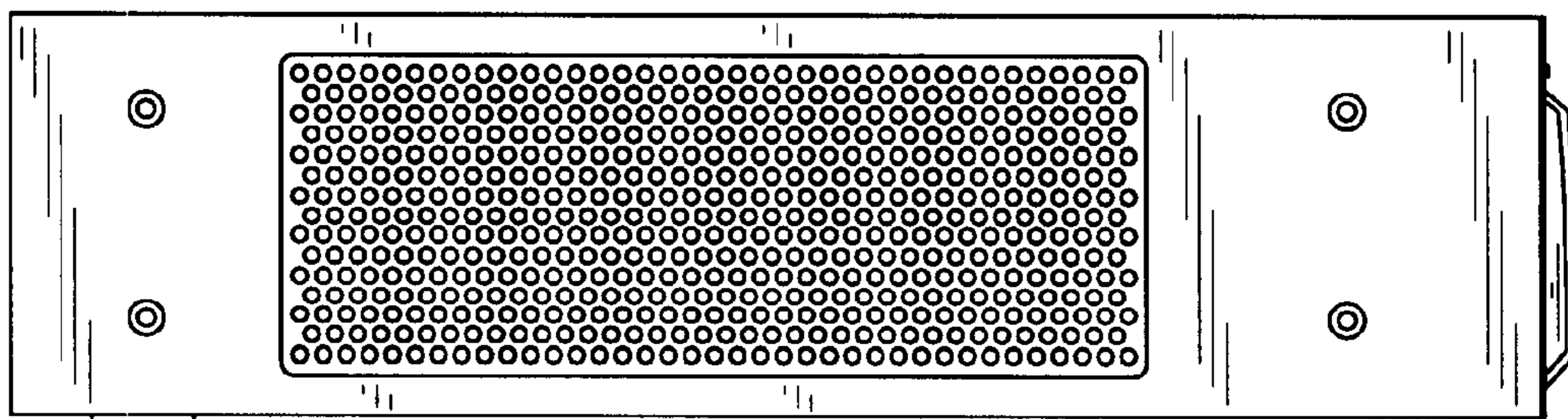


FIG.5

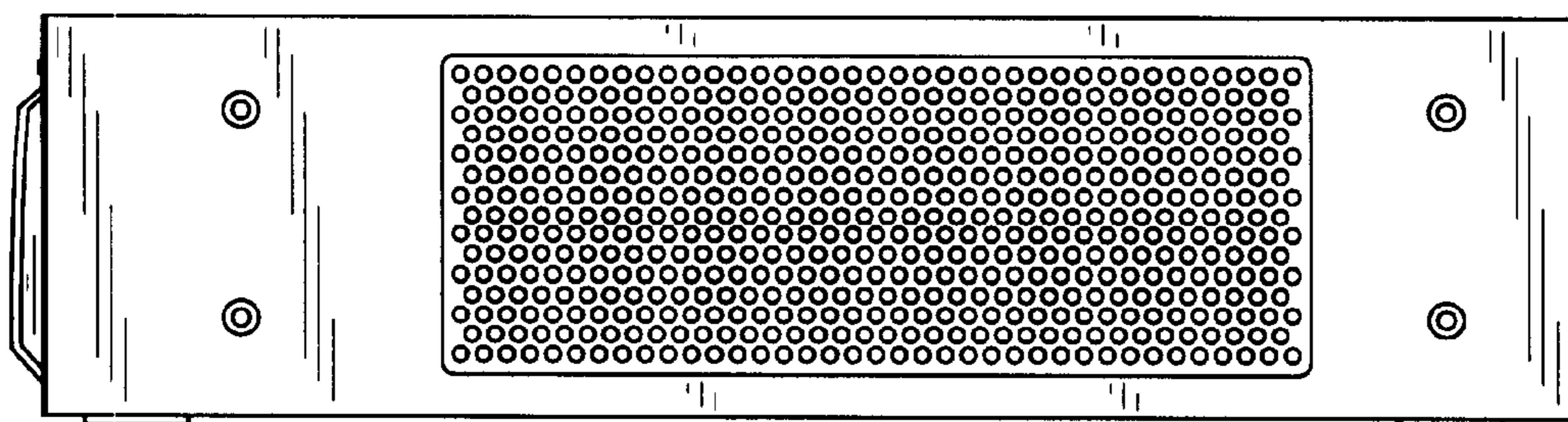


FIG.6

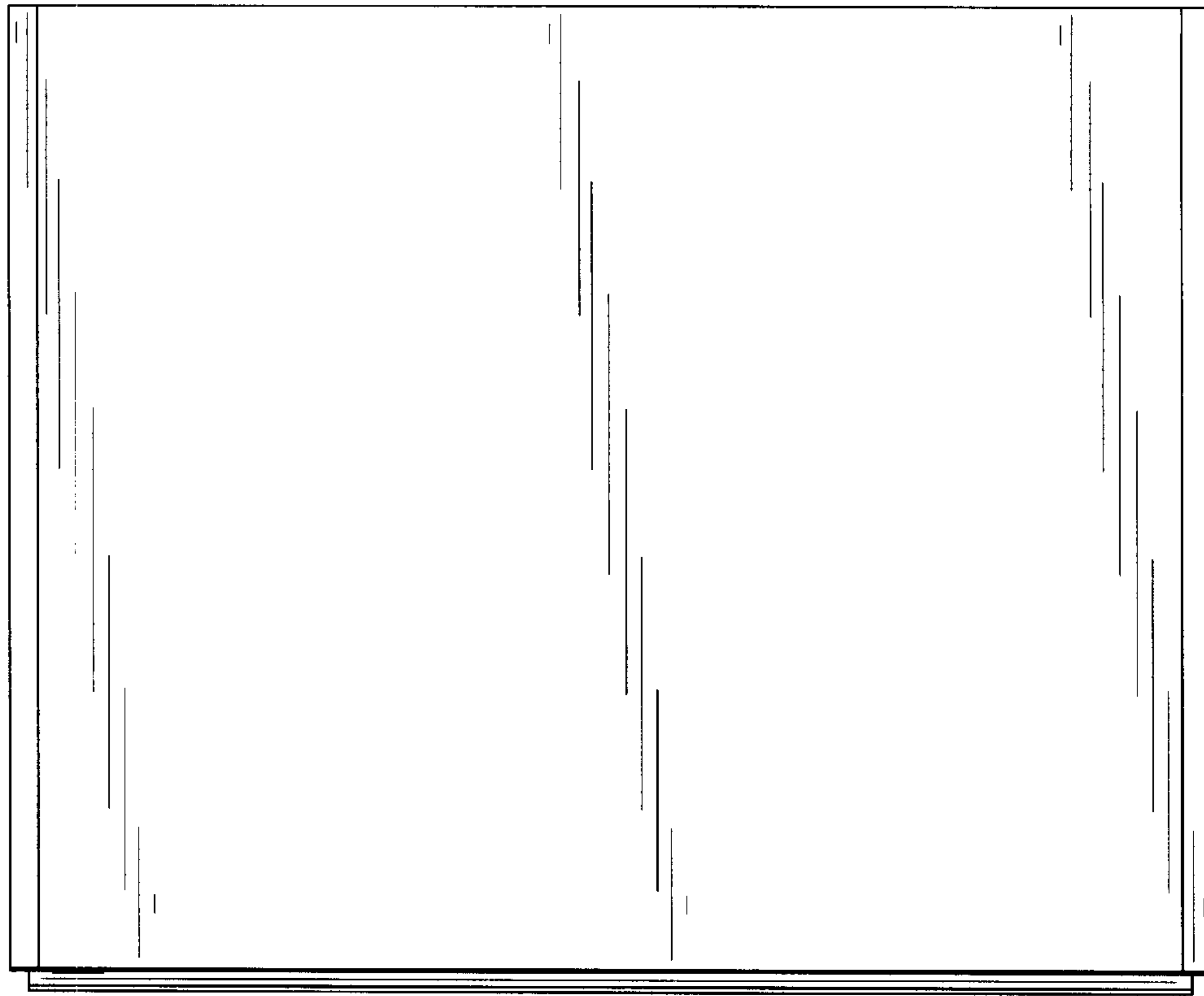


FIG.7

