



US00D531589S

(12) **United States Design Patent**
Hsu

(10) **Patent No.:** **US D531,589 S**

(45) **Date of Patent:** **** Nov. 7, 2006**

(54) **RECEIVING BOX OF A STORAGE DEVICE**

(75) Inventor: **Chun-Yu Hsu**, Chung Ho (TW)

(73) Assignee: **Jess-Link Products Co., Ltd.**, Taipei County (TW)

(**) Term: **14 Years**

(21) Appl. No.: **29/233,529**

(22) Filed: **Jul. 7, 2005**

(51) **LOC (8) Cl.** **13-03**

(52) **U.S. Cl.** **D13/184**; D14/348

(58) **Field of Classification Search** D14/300-302, D14/308, 349, 310-314, 348, 351-356, 433, D14/140.3; D13/162, 163, 184, 199; 312/223.1-223.3; 360/99.01-99.12; 361/704; 369/34.01, 36.01
See application file for complete search history.

(56) **References Cited**

U.S. PATENT DOCUMENTS

D276,234 S * 11/1984 Banks et al. D14/433
D281,315 S * 11/1985 Kjeld D13/184

D338,469 S * 8/1993 Alden et al. D14/140.3
D365,348 S * 12/1995 Card et al. D14/140.3
D453,019 S * 1/2002 Oba D14/348
6,411,515 B1 * 6/2002 Sakamoto et al. 361/704
D490,805 S * 6/2004 Lee D14/312

* cited by examiner

Primary Examiner—Freda S. Nunn

(74) *Attorney, Agent, or Firm*—Rosenberg, Klein & Lee

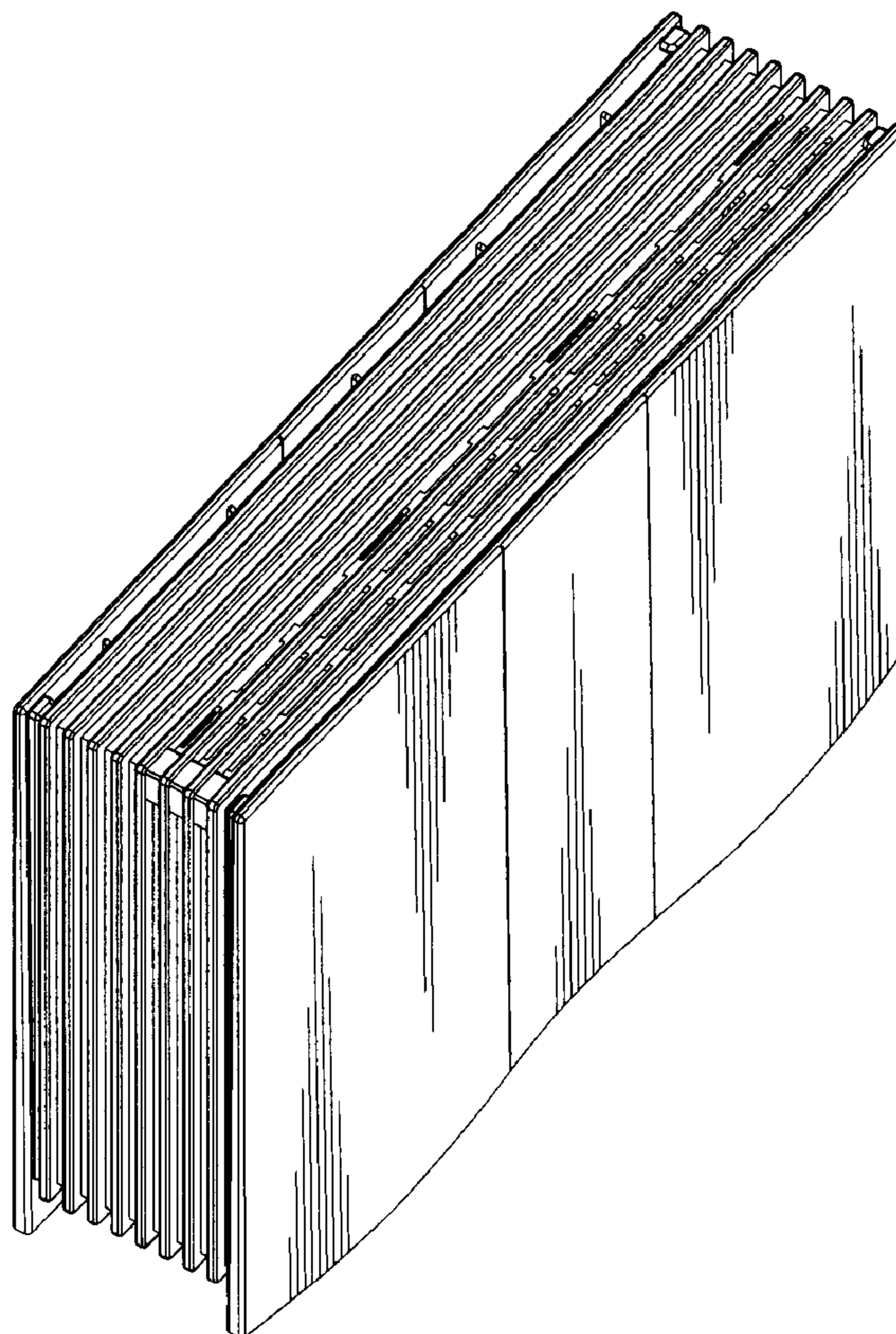
(57) **CLAIM**

The ornamental design for a “receiving box of a storage device,” as shown and described.

DESCRIPTION

FIG. 1 is a perspective view of a “receiving box of a storage device” showing my new design;
FIG. 2 is a front view thereof;
FIG. 3 is a rear view thereof;
FIG. 4 is a left side view thereof;
FIG. 5 is a right side view thereof;
FIG. 6 is a top view thereof; and,
FIG. 7 is a bottom view thereof.

1 Claim, 5 Drawing Sheets



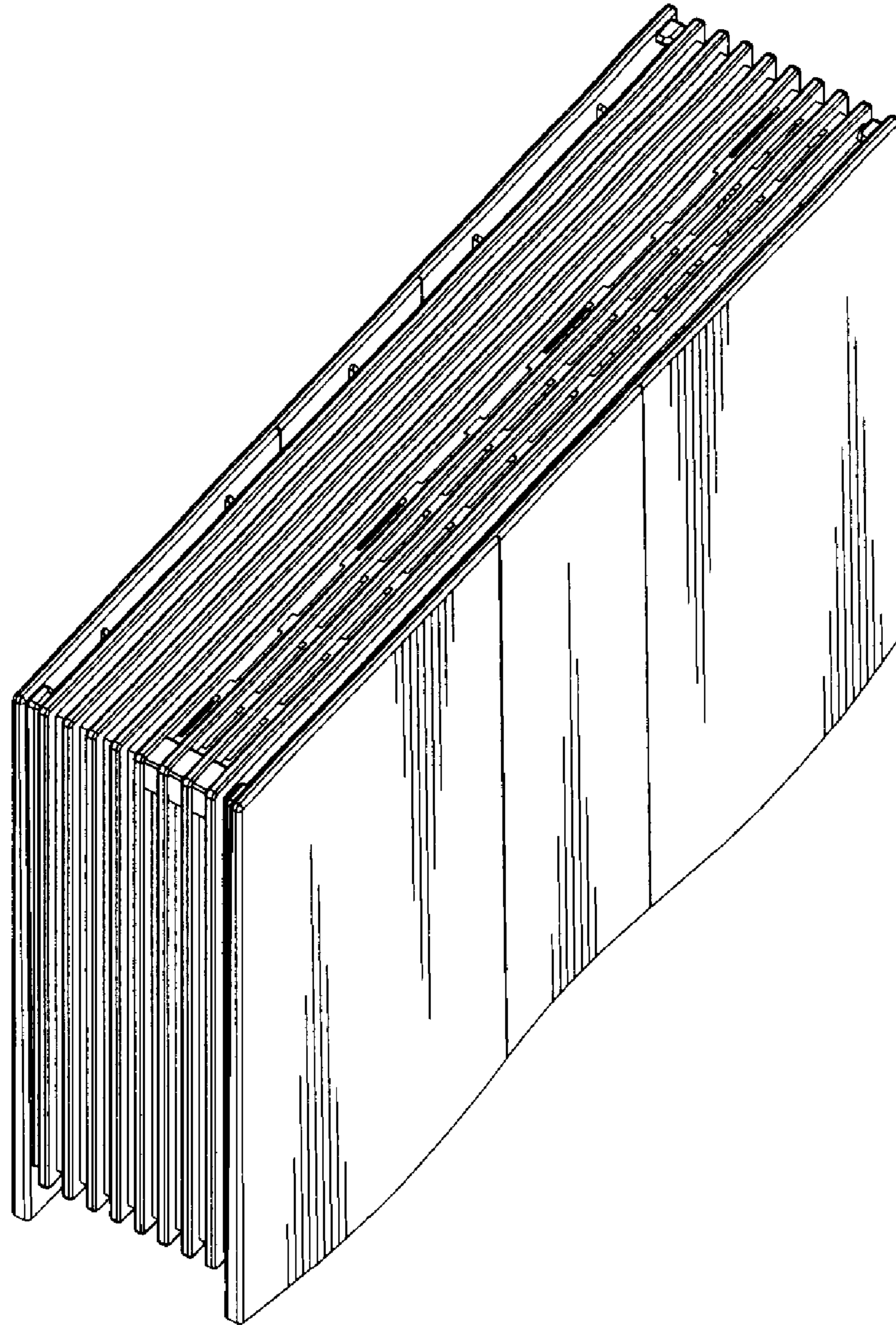


FIG 1

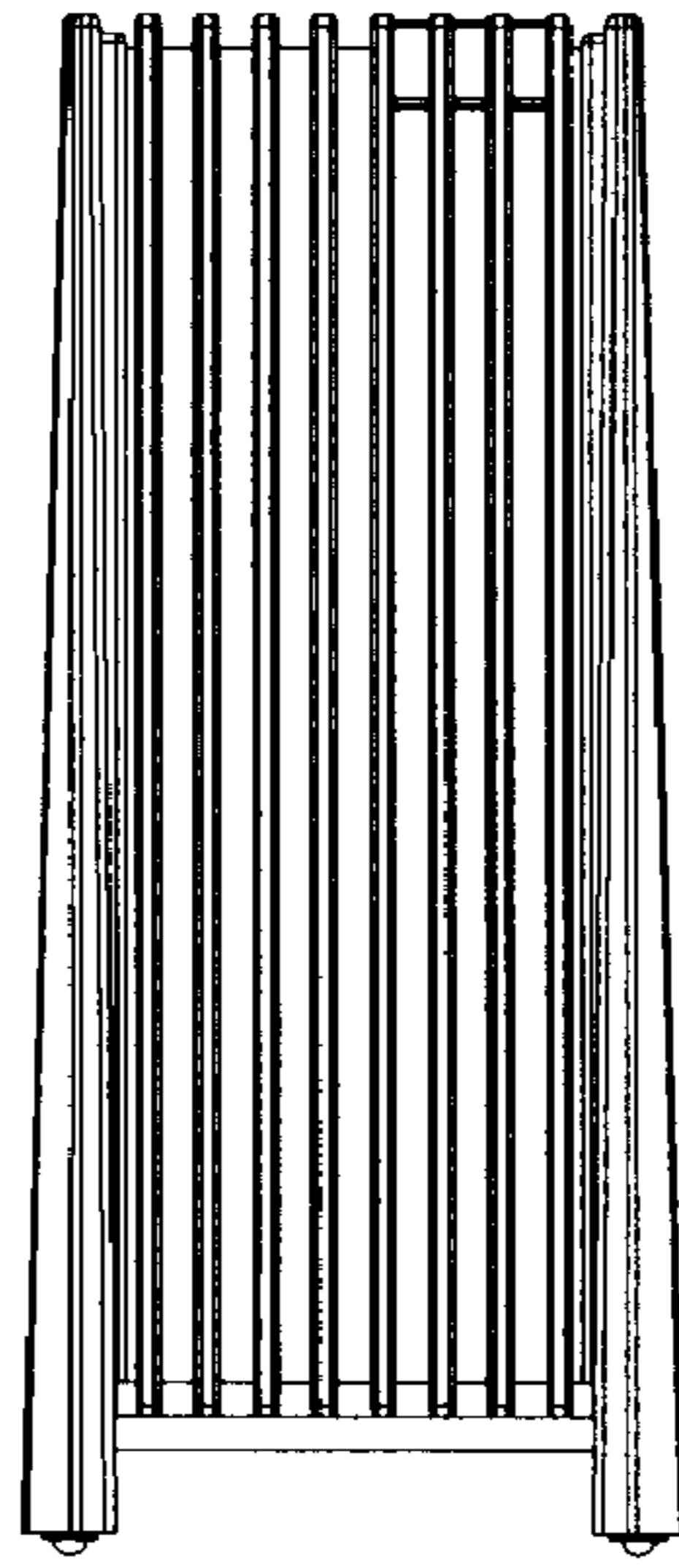


FIG 2

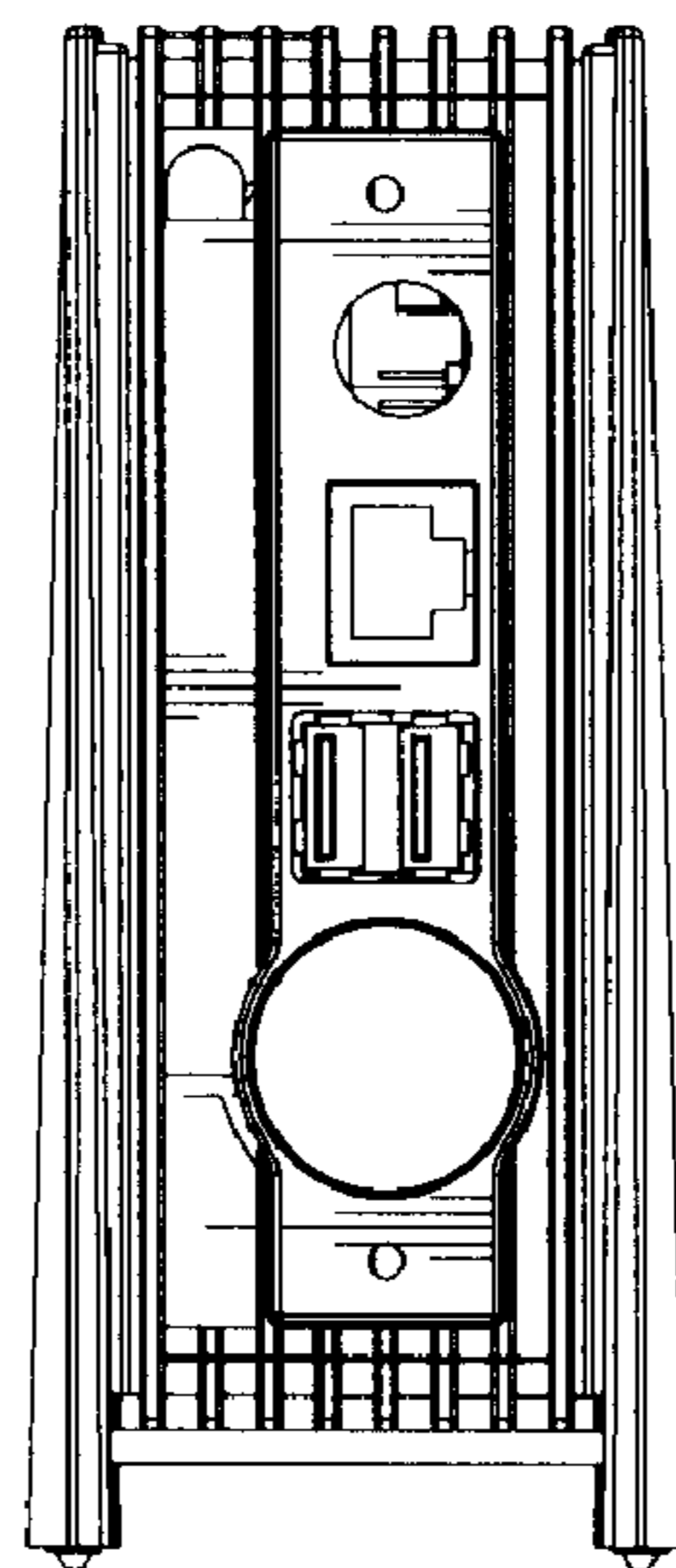


FIG 3

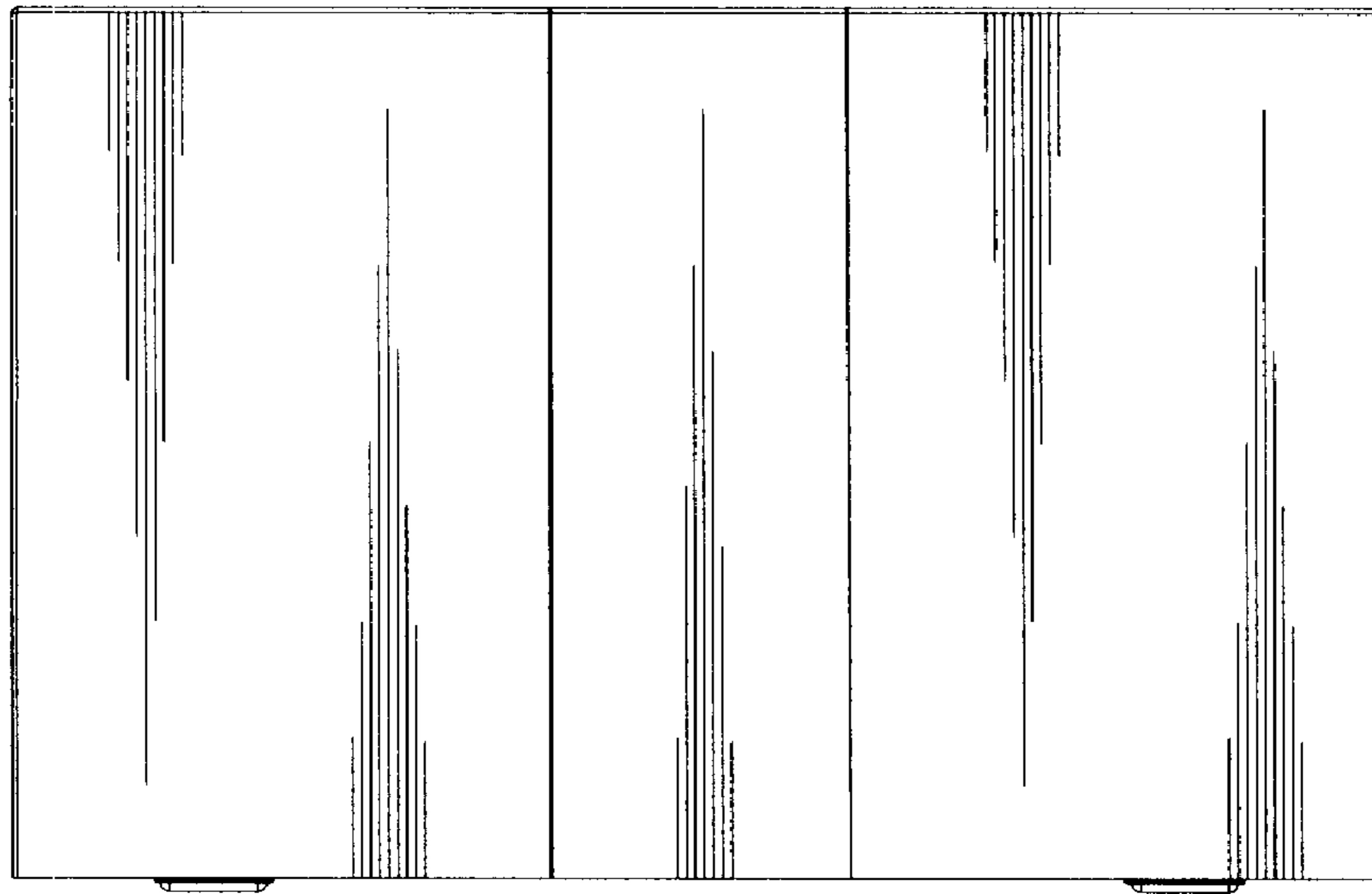


FIG 4

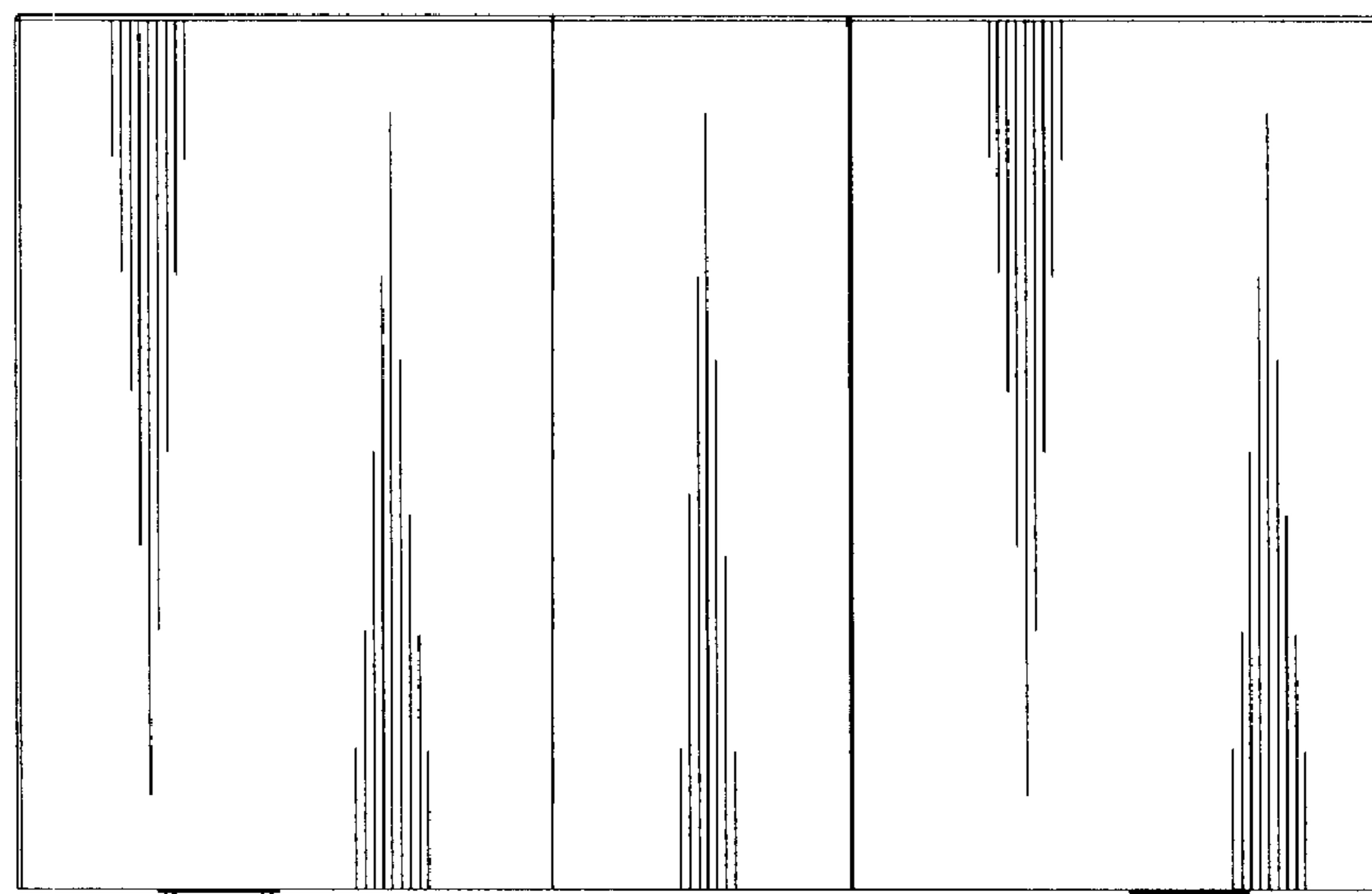


FIG 5

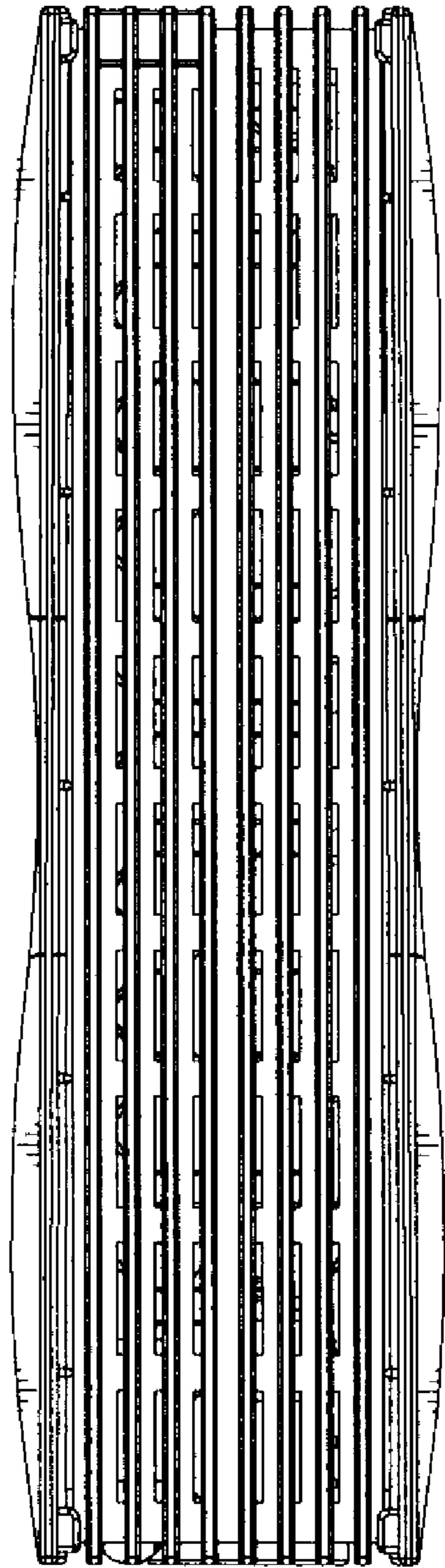


FIG 6

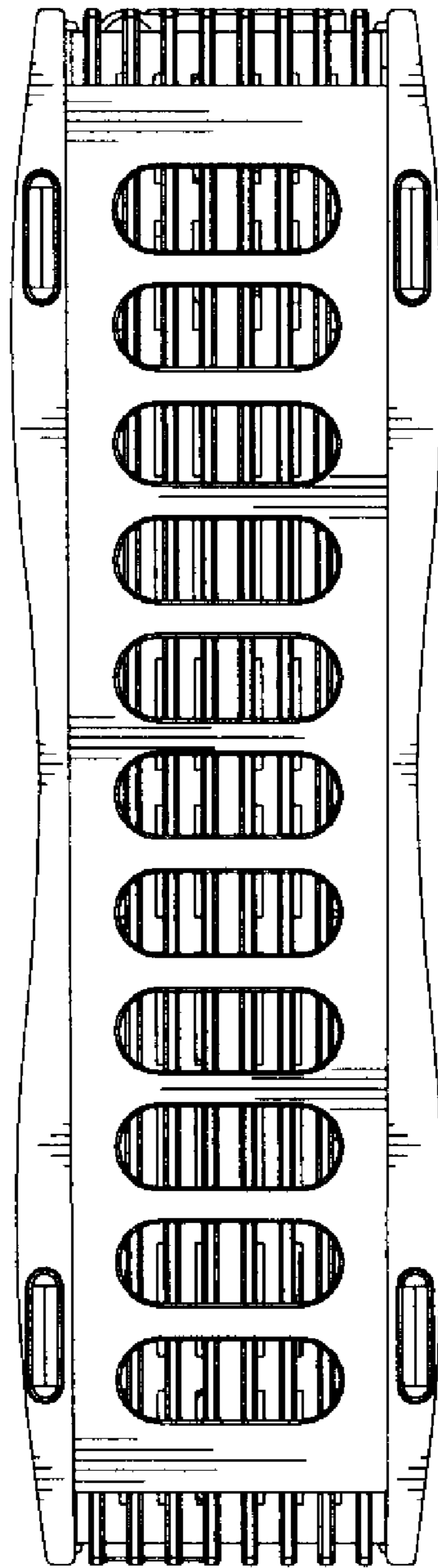


FIG 7