



US00D531586S

(12) **United States Design Patent** (10) **Patent No.:** **US D531,586 S**
Poulet (45) **Date of Patent:** **** Nov. 7, 2006**

(54) **REMOTE CONTROL PRESS BUTTONS**

(75) Inventor: **Olivier Poulet**, Burdignin (FR)

(73) Assignee: **Somfy SAS**, Cluses (FR)

(**) Term: **14 Years**

(21) Appl. No.: **29/241,797**

(22) Filed: **Nov. 1, 2005**

(30) **Foreign Application Priority Data**

May 12, 2005 (EM) 000343454

(51) **LOC (8) Cl.** **13-03**

(52) **U.S. Cl.** **D13/168**

(58) **Field of Classification Search** D13/168;
D10/104, 106; D14/218, 247; 340/825.22,
340/825.24, 825.25, 825.31, 825.36, 825.69,
340/825.71, 825.72; 341/20, 22, 23, 34, 173,
341/174, 176; 345/156, 168, 169; 348/734;
455/92, 95, 100, 128, 151.1-151.4, 325-355;
463/39; 700/17, 19, 20, 281

See application file for complete search history.

(56) **References Cited**

U.S. PATENT DOCUMENTS

D361,058 S * 8/1995 Domel et al. D13/168

D368,074 S * 3/1996 Lee et al. D13/168
D450,337 S * 11/2001 Hamamura D16/237
D454,869 S * 3/2002 Becker et al. D14/248
D487,064 S * 2/2004 Stekelenburg D13/168
D491,922 S * 6/2004 Poulet D14/218
D496,031 S * 9/2004 Ma et al. D14/240
D507,759 S * 7/2005 Li D10/106

* cited by examiner

Primary Examiner—Selina Sikder

(74) *Attorney, Agent, or Firm*—Frommer Lawrence & Haug; Ronald R. Santucci

(57) **CLAIM**

I claim, the ornamental design for a remote control press buttons, as shown and described.

DESCRIPTION

FIG. 1 is a perspective view of a remote control press buttons showing our new design

FIG. 2 is a front view thereof

FIG. 3 is a left side view thereof

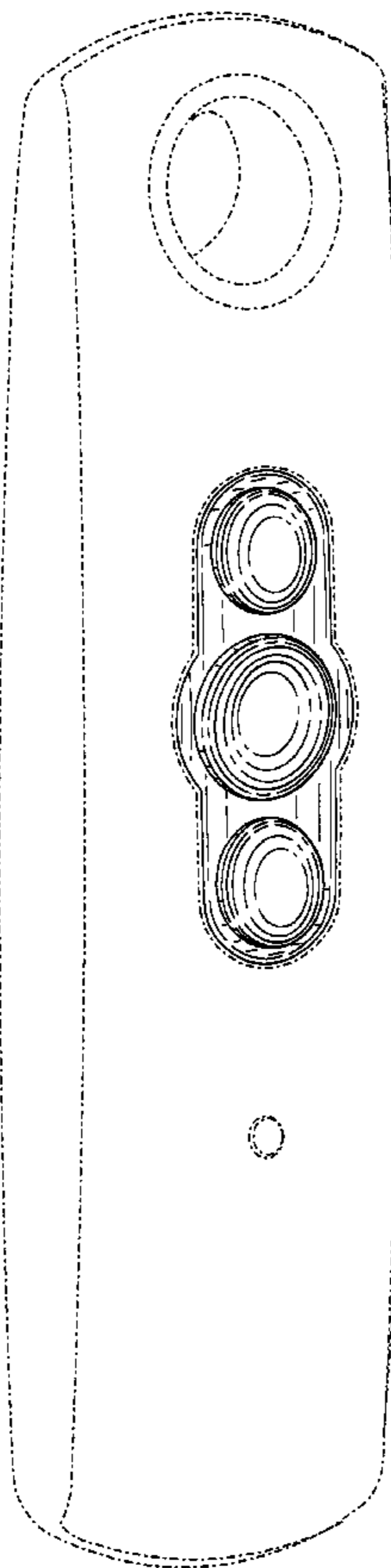
FIG. 4 is a right side view thereof

FIG. 5 is a bottom view thereof; and,

FIG. 6 is a top view thereof.

The broken line showing of the environment is for illustrative purpose only and forms no part of the claimed design.

1 Claim, 3 Drawing Sheets



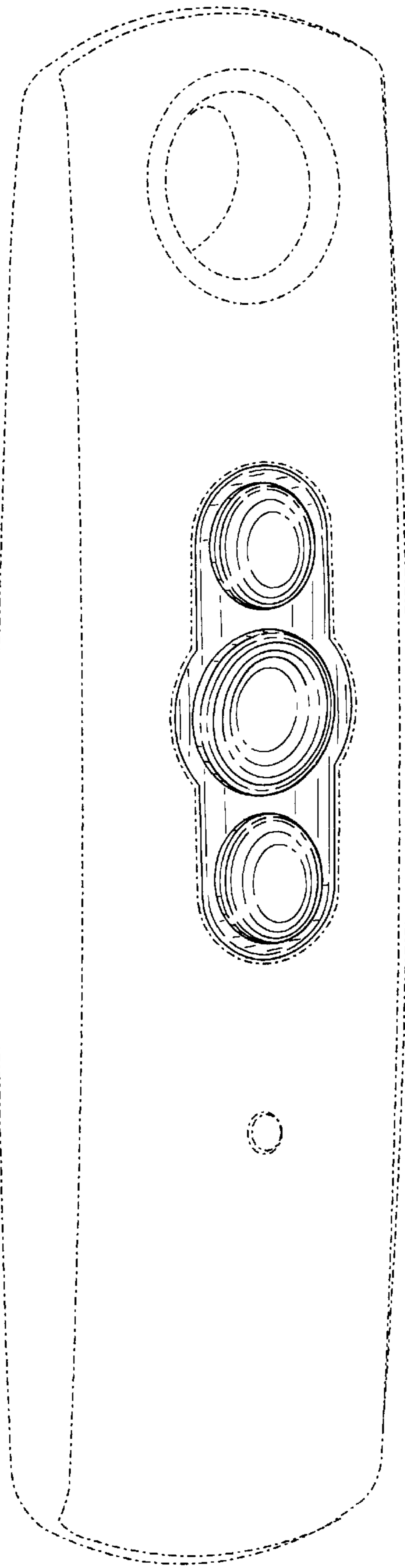


FIG. 1

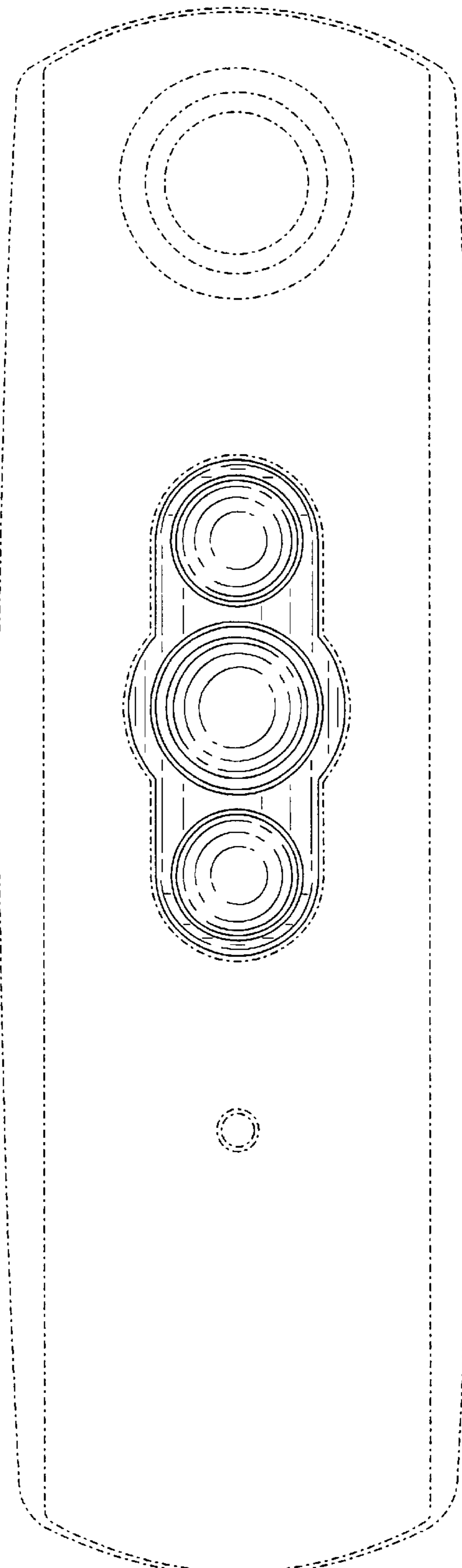


FIG. 2

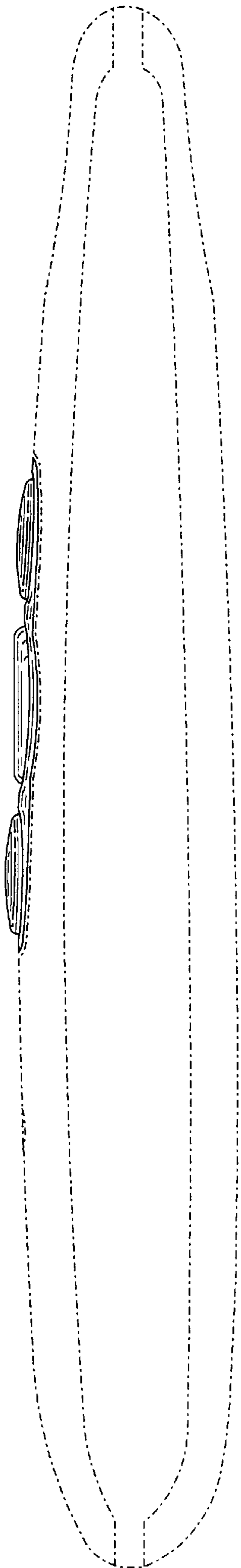


FIG. 3

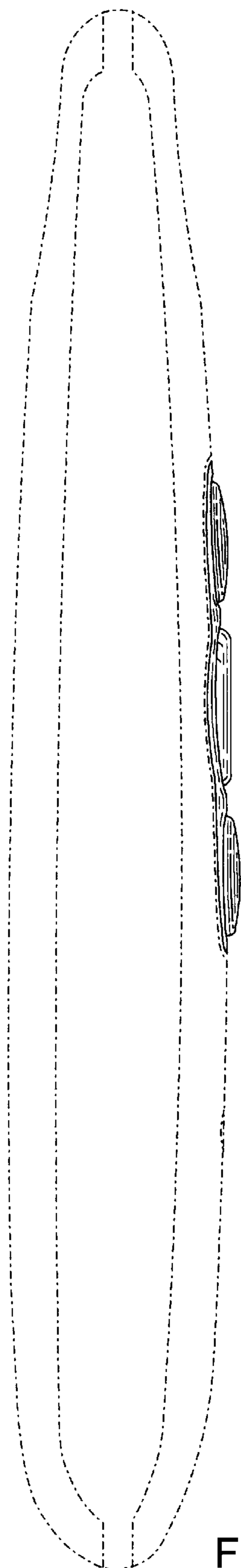


FIG. 4

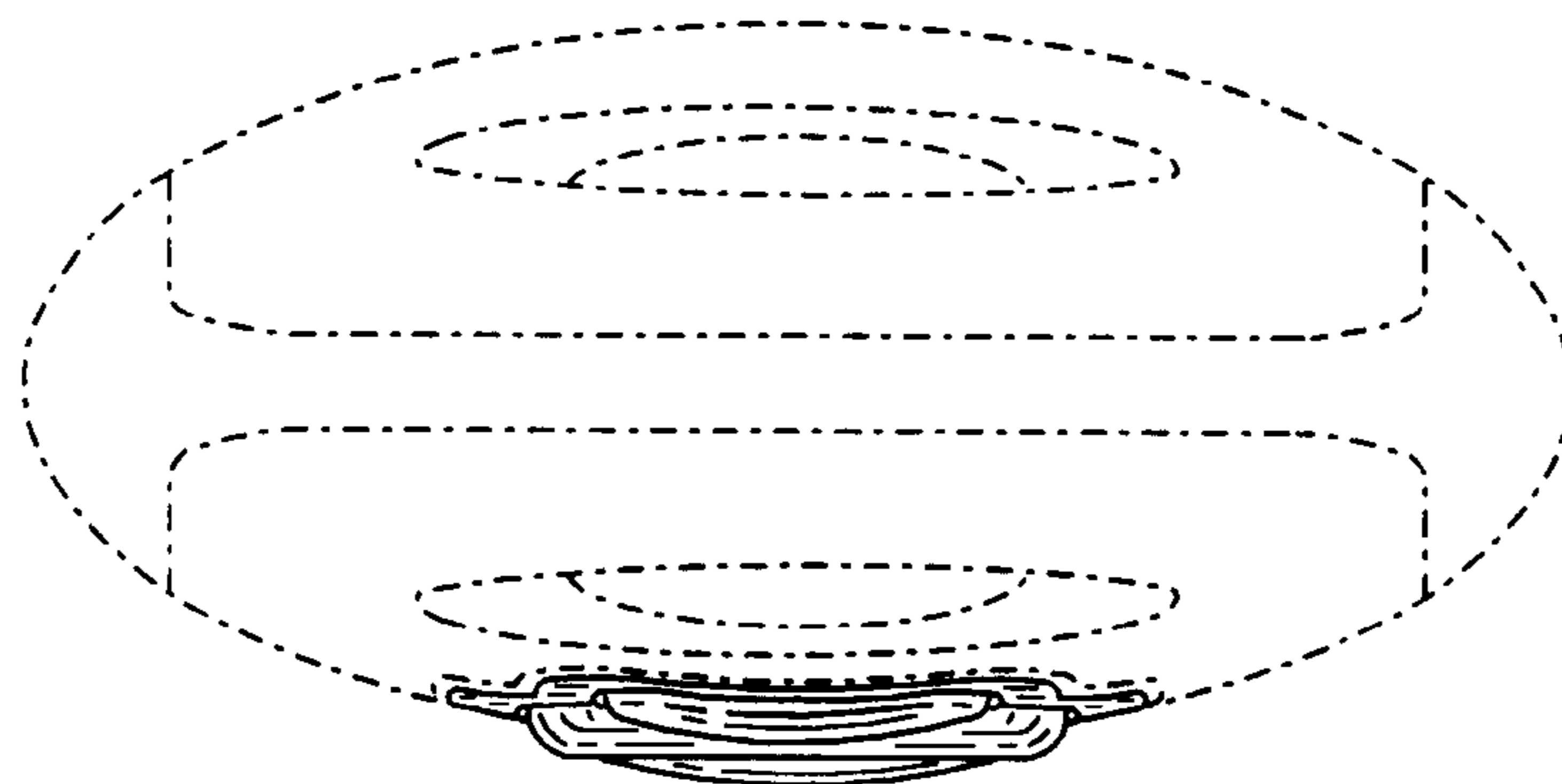


FIG. 5

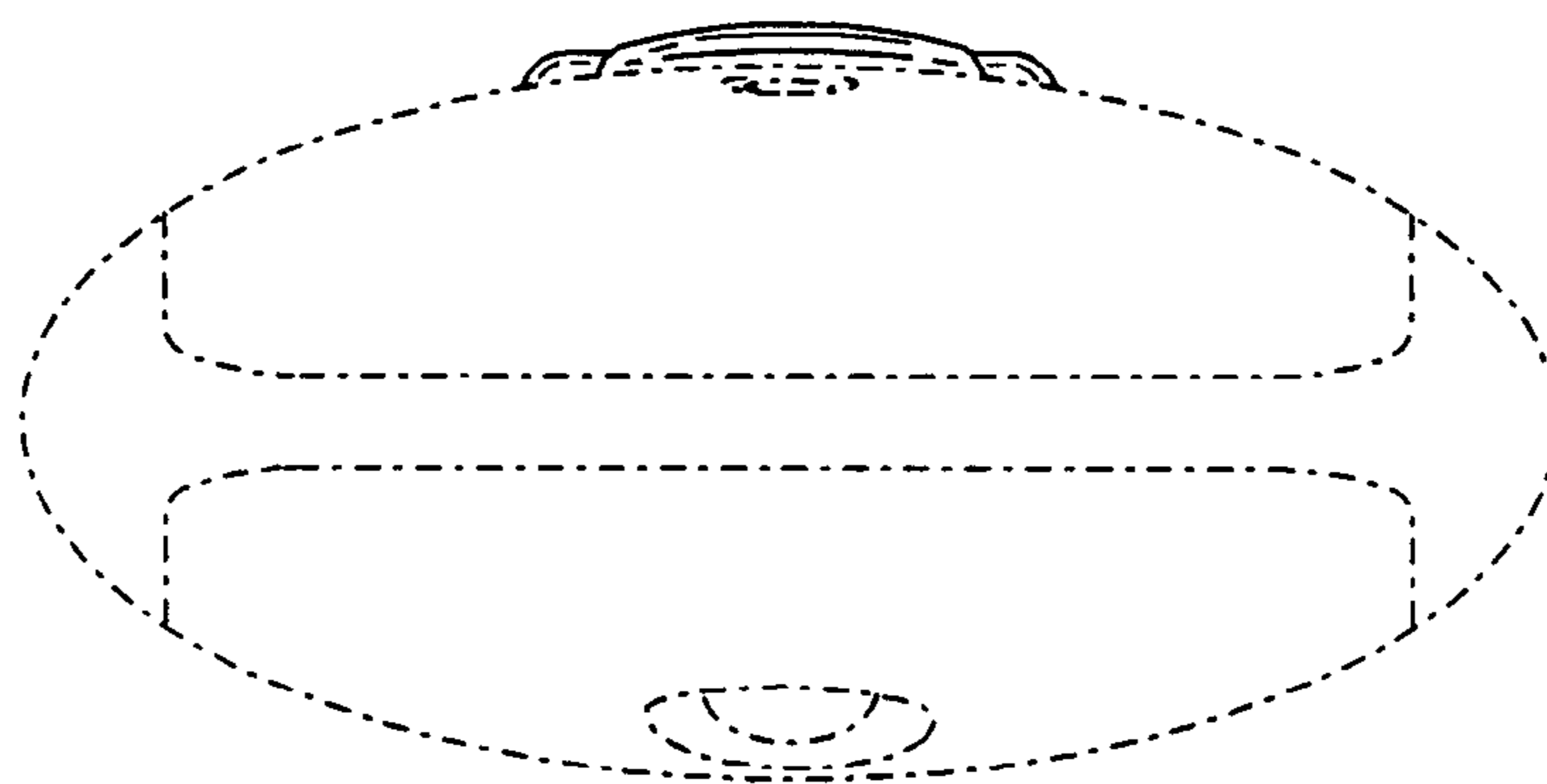


FIG. 6