

US00D531585S

(12) **United States Design Patent** (10) **Patent No.:** **US D531,585 S**
Weitgasser et al. (45) **Date of Patent:** **** Nov. 7, 2006**

(54) **REMOTE CONTROL**
(75) Inventors: **Erwin Weitgasser**, Salzburg (AT);
Detlev Magerer, Salzburg (AT);
Ferdinand Maier, Neumarkt (AT)
(73) Assignee: **Ruwido Austria Gesellschaft m.b.H.**,
Neumarkt am Wallersee (AT)
(**) Term: **14 Years**

D375,057 S * 10/1996 Heun D10/104
D408,821 S * 4/1999 Takahashi D14/218
6,075,575 A * 6/2000 Schein et al. 348/734
D427,583 S * 7/2000 Kazama D14/218
D435,544 S * 12/2000 Gioscia D14/218
D450,662 S * 11/2001 Kwok D13/168
6,819,864 B1 * 11/2004 Fujita et al. 386/46
D514,526 S * 2/2006 Chen et al. D13/168
D515,041 S * 2/2006 Yun et al. D13/168

* cited by examiner

(21) Appl. No.: **29/241,210**
(22) Filed: **Oct. 25, 2005**
(30) **Foreign Application Priority Data**
Apr. 26, 2005 (EM) 000331418

Primary Examiner—Selina Sikder
(74) *Attorney, Agent, or Firm*—Senniger Powers

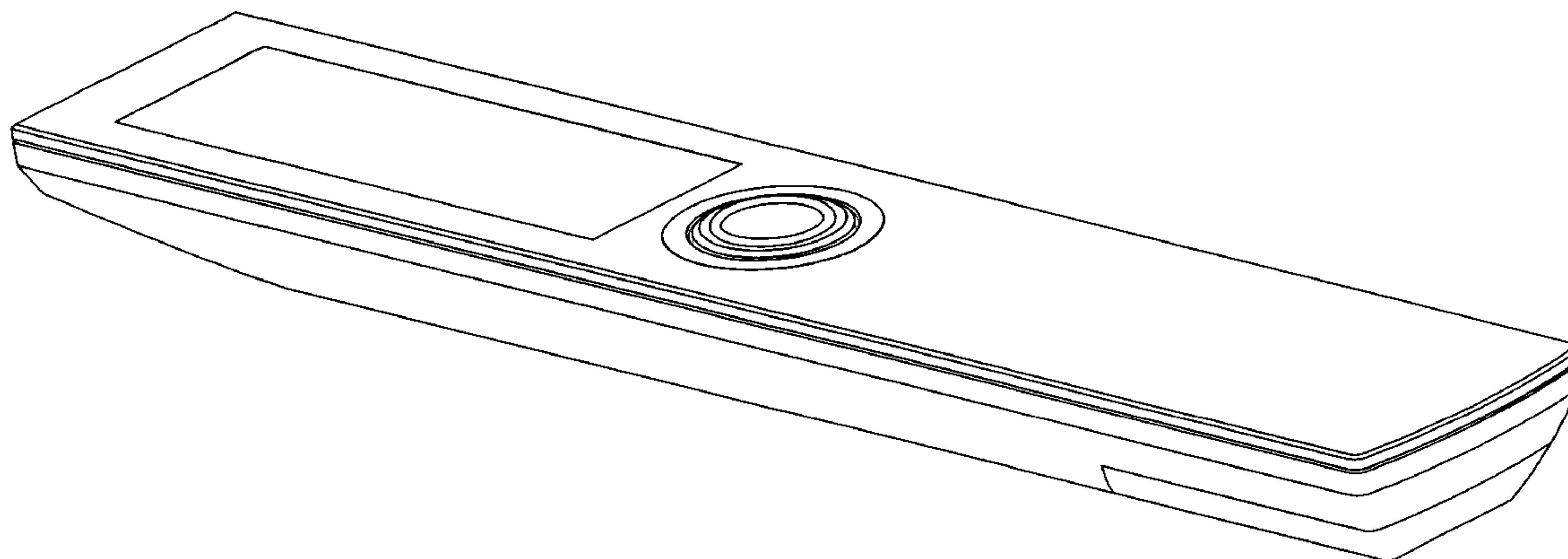
(51) **LOC (8) Cl.** **13-03**
(52) **U.S. Cl.** **D13/168**
(58) **Field of Classification Search** D13/168;
D10/104, 106; D14/218, 247; 340/825.22,
340/825.24, 825.25, 825.31, 825.36, 825.69,
340/825.71, 825.72; 341/20, 22, 23, 34, 173,
341/174, 176; 345/156, 168, 169; 348/734;
455/92, 95, 100, 128, 151.1–151.4, 325–355;
463/39; 700/17, 19, 20, 281
See application file for complete search history.

(57) **CLAIM**
The ornamental design for a remote control, as shown and described.

(56) **References Cited**
U.S. PATENT DOCUMENTS
D370,663 S * 6/1996 Swain et al. D13/168

DESCRIPTION
FIG. 1 is a front perspective view of a remote control showing our new design.
FIG. 2 is a rear perspective view thereof.
FIG. 3 is a top plan view thereof.
FIG. 4 is a bottom plan view thereof.
FIG. 5 is a front elevation view thereof.
FIG. 6 is a left side elevational view thereof; and,
FIG. 7 is a right side elevational view thereof.

1 Claim, 7 Drawing Sheets



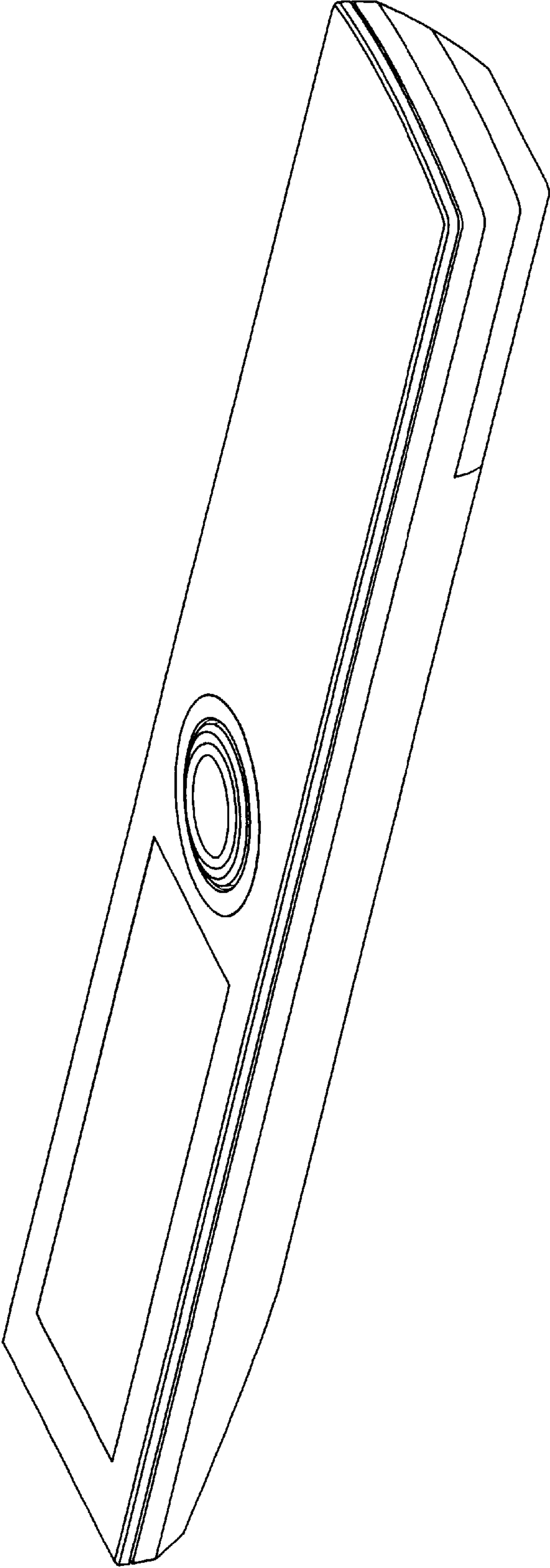


FIG. 1

FIG. 2

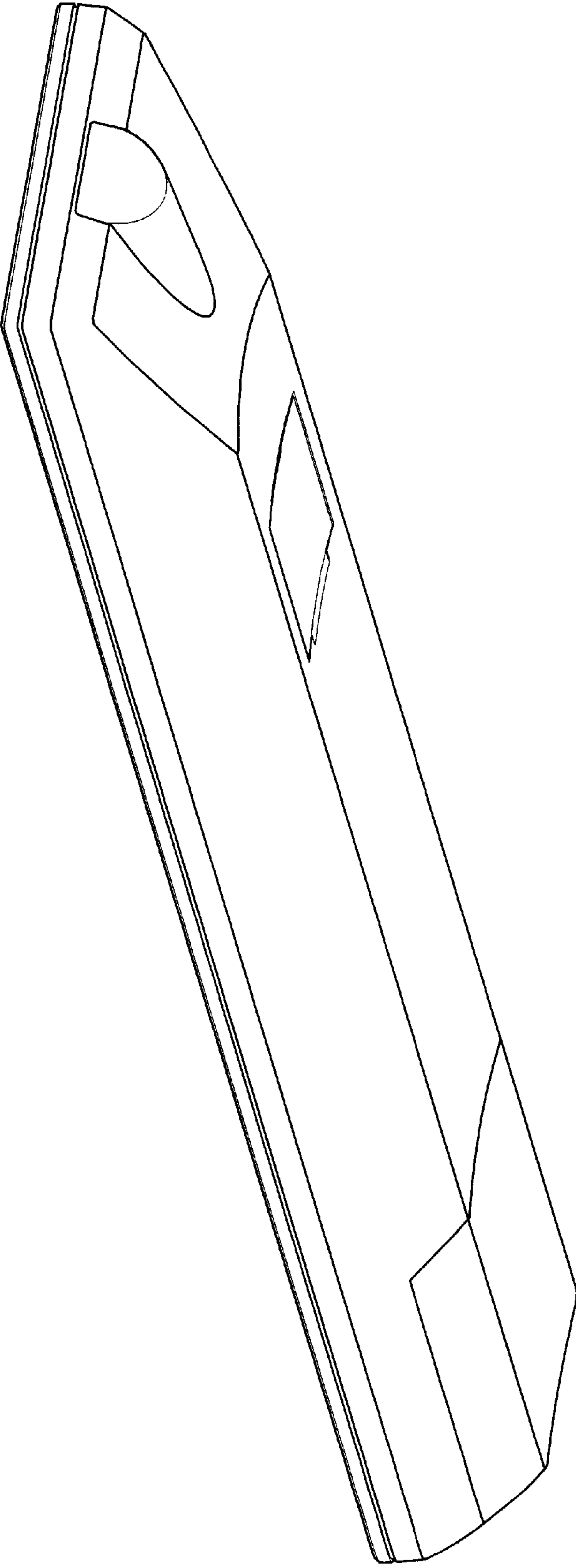


FIG. 3

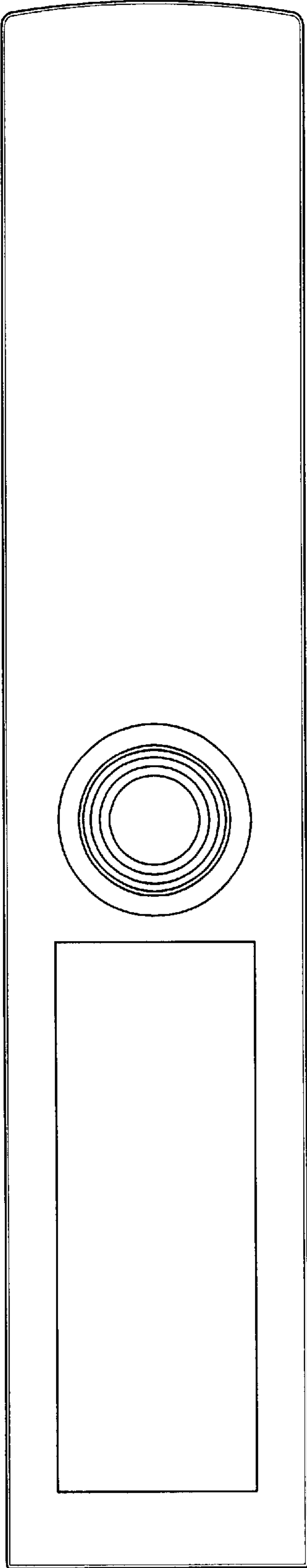


FIG. 4

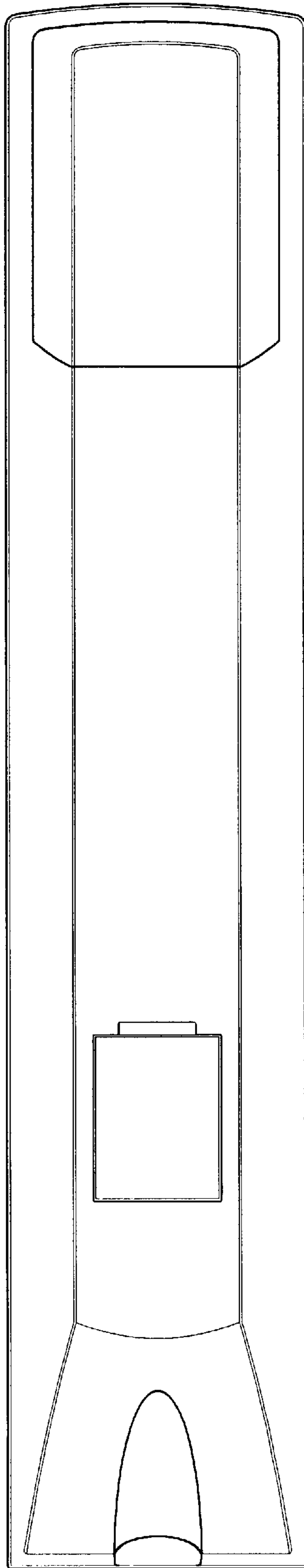


FIG. 5

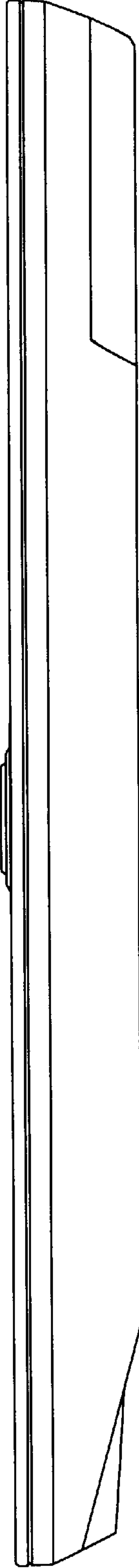


FIG. 6

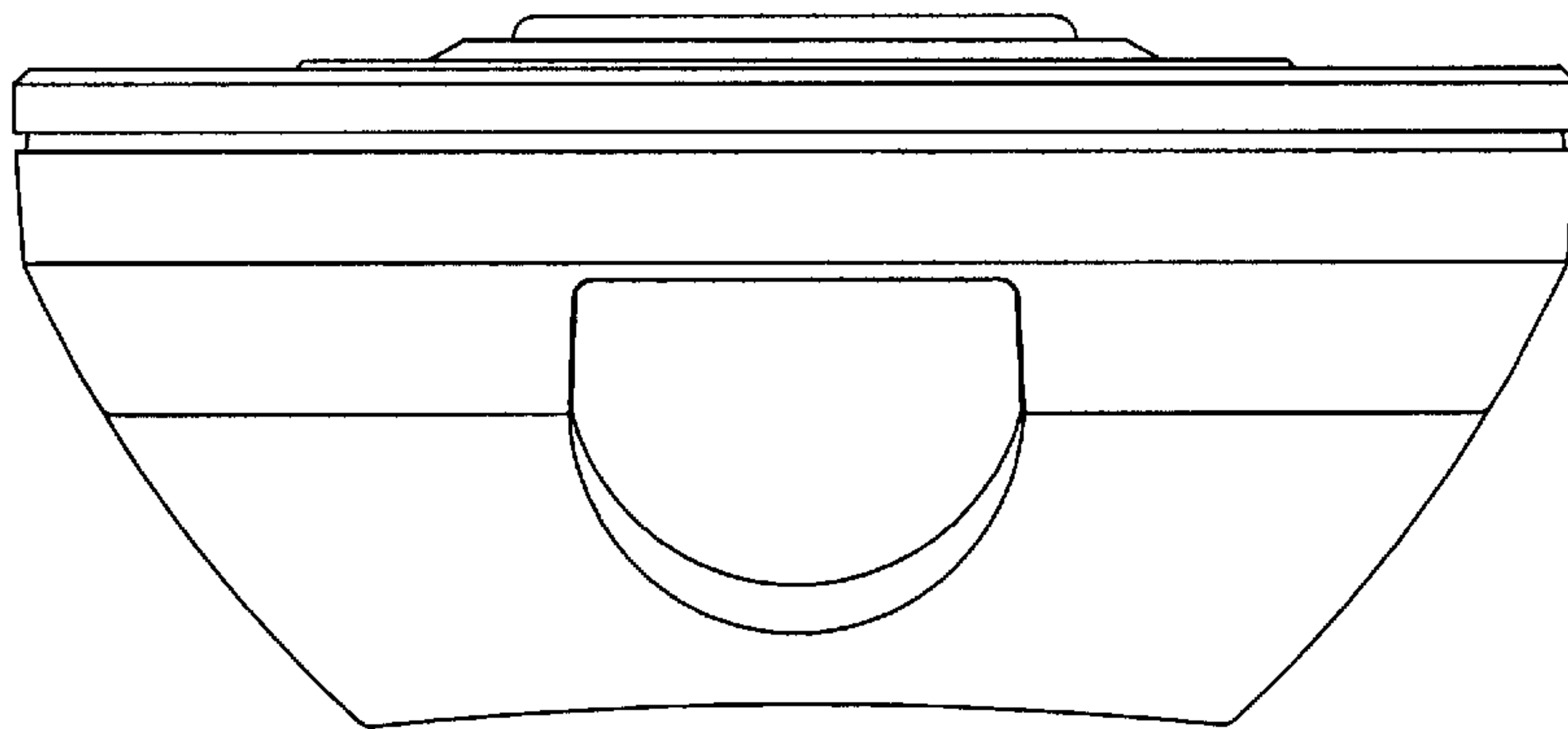


FIG. 7

