



US00D531582S

(12) **United States Design Patent**  
**Suzuki et al.**

(10) **Patent No.:** **US D531,582 S**  
(45) **Date of Patent:** **\*\* Nov. 7, 2006**

(54) **ELECTRIC CONNECTOR**

(75) Inventors: **Masayuki Suzuki**, Utsunomiya (JP);  
**Kazuhiro Sato**, Santa Clara, CA (US);  
**Yuuki Nakano**, Utsunomiya (JP); **Issey Miyake**, Shimotsuga-gun (JP)

(73) Assignee: **DDK Ltd.**, Tokyo (JP)

(\*\*) Term: **14 Years**

(21) Appl. No.: **29/253,663**

(22) Filed: **Feb. 9, 2006**

(30) **Foreign Application Priority Data**

Dec. 9, 2005 (JP) ..... D 2005-036455

(51) **LOC (8) Cl.** ..... **13-03**

(52) **U.S. Cl.** ..... **D13/147**

(58) **Field of Classification Search** ..... D13/133,  
D13/146-147, 149, 154, 184; D14/432-436,  
D14/438; 439/64, 79, 159-160, 260, 325,  
439/329, 395, 422, 492, 495, 607-610, 630,  
439/862

See application file for complete search history.

(56) **References Cited**

**U.S. PATENT DOCUMENTS**

6,352,442 B1 \* 3/2002 Kudo ..... 439/260  
D470,110 S \* 2/2003 Yamane ..... D13/147  
D472,219 S \* 3/2003 Miura ..... D13/147

D495,997 S \* 9/2004 Kuroki ..... D13/147  
6,790,074 B1 \* 9/2004 Chiu ..... 439/495  
D497,344 S \* 10/2004 Huang ..... D13/147  
D500,985 S \* 1/2005 Yamane et al. .... D13/147  
D501,183 S \* 1/2005 Yamane et al. .... D13/147  
6,971,901 B1 \* 12/2005 Chiu et al. .... 439/329  
D517,494 S \* 3/2006 Ikenaga et al. .... D13/147  
2005/0042896 A1 \* 2/2005 Huang ..... 439/67

\* cited by examiner

*Primary Examiner*—Stella Reid

*Assistant Examiner*—Daniel Bui

(74) *Attorney, Agent, or Firm*—Sughrue Mion, PLLC;  
Pavel Pogodin, Esq.

(57) **CLAIM**

The ornamental design for an electric connector, as shown and described.

**DESCRIPTION**

FIG. 1 is a top perspective view of an electric connector showing our new design;  
FIG. 2 is a bottom perspective view thereof;  
FIG. 3 is a front view thereof;  
FIG. 4 is a rear view thereof;  
FIG. 5 is a left side view thereof;  
FIG. 6 is a right side view thereof;  
FIG. 7 is a top plan view thereof; and,  
FIG. 8 is a bottom plan view thereof.

**1 Claim, 4 Drawing Sheets**

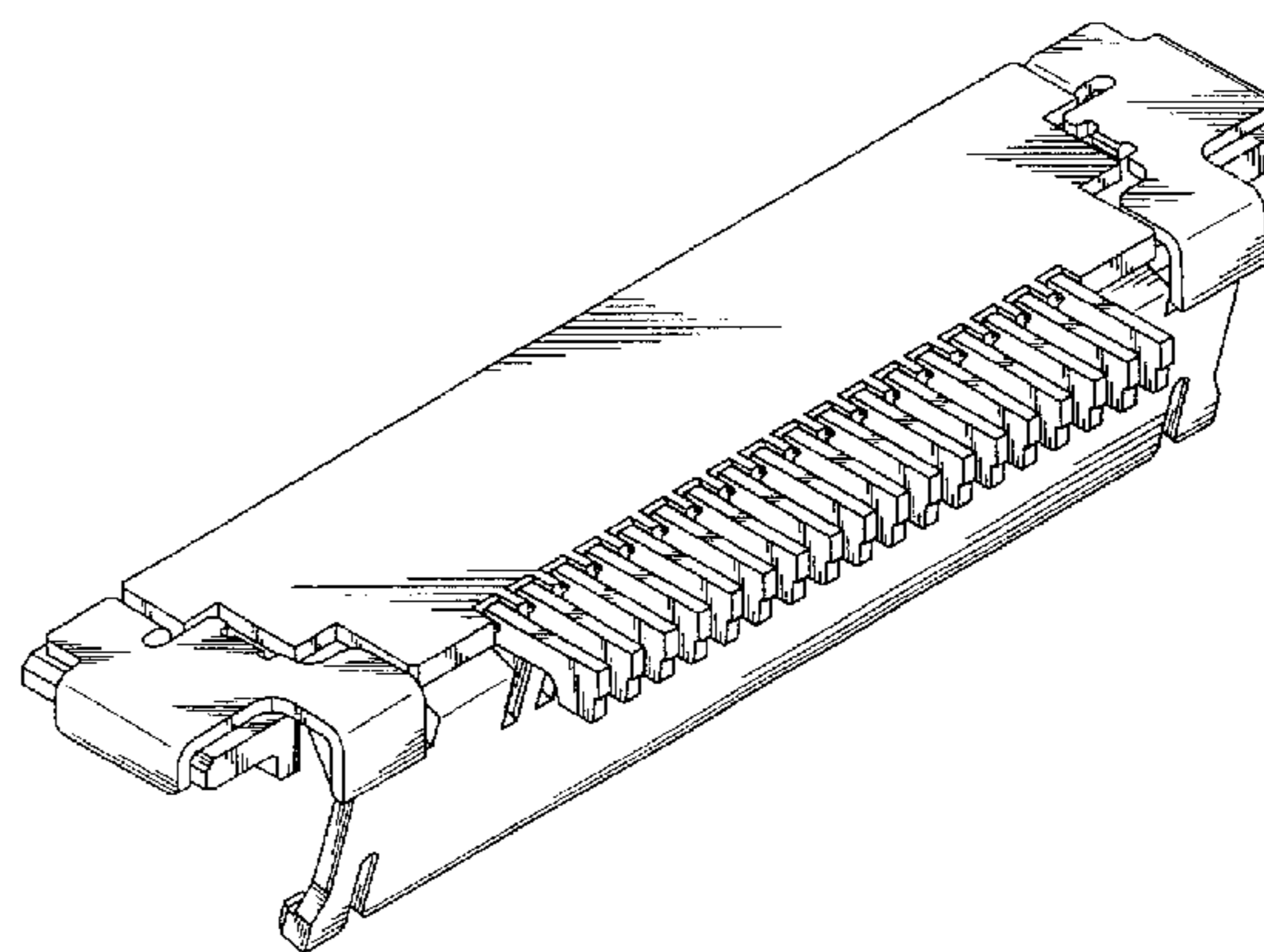
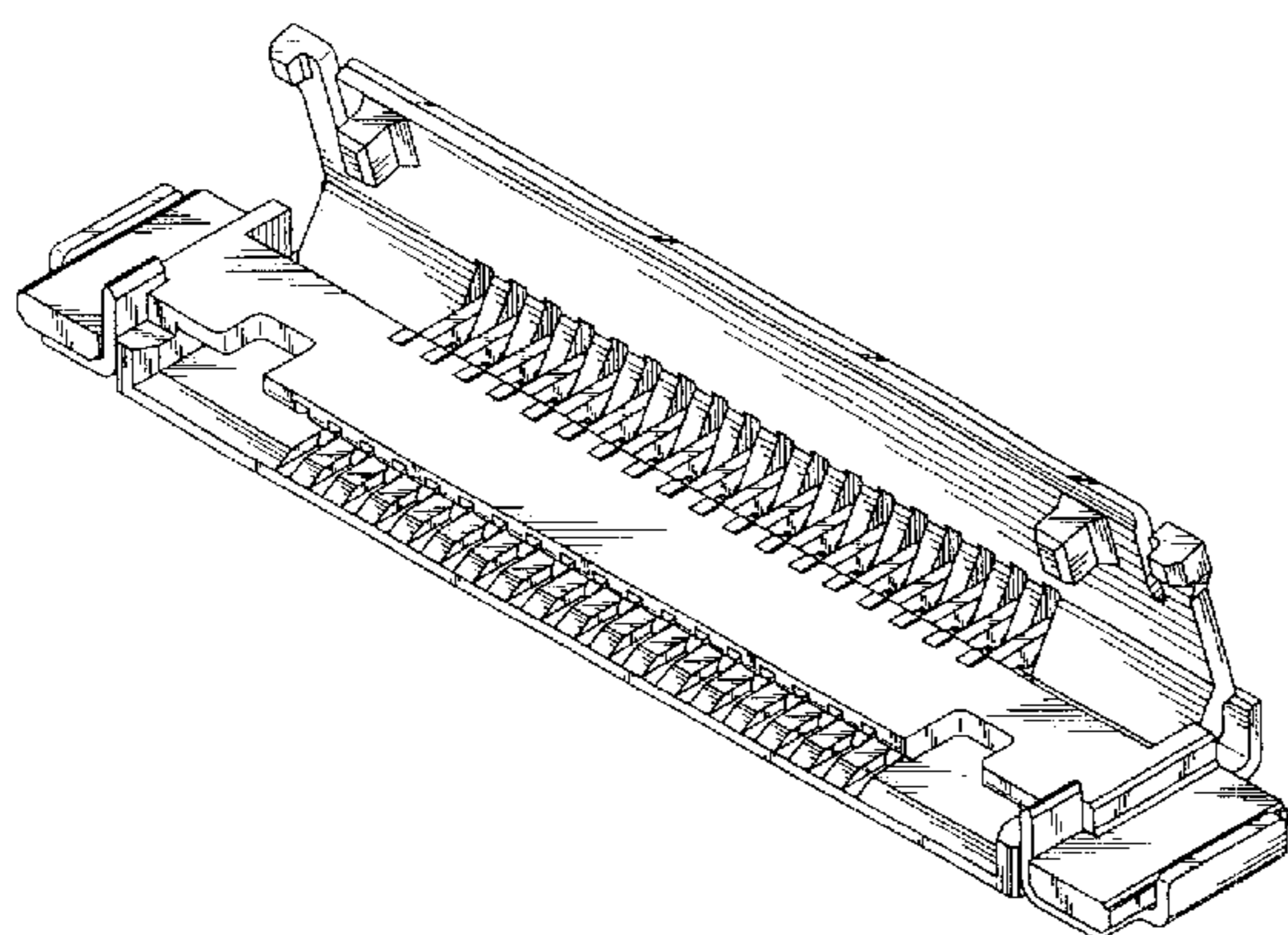


Fig.1

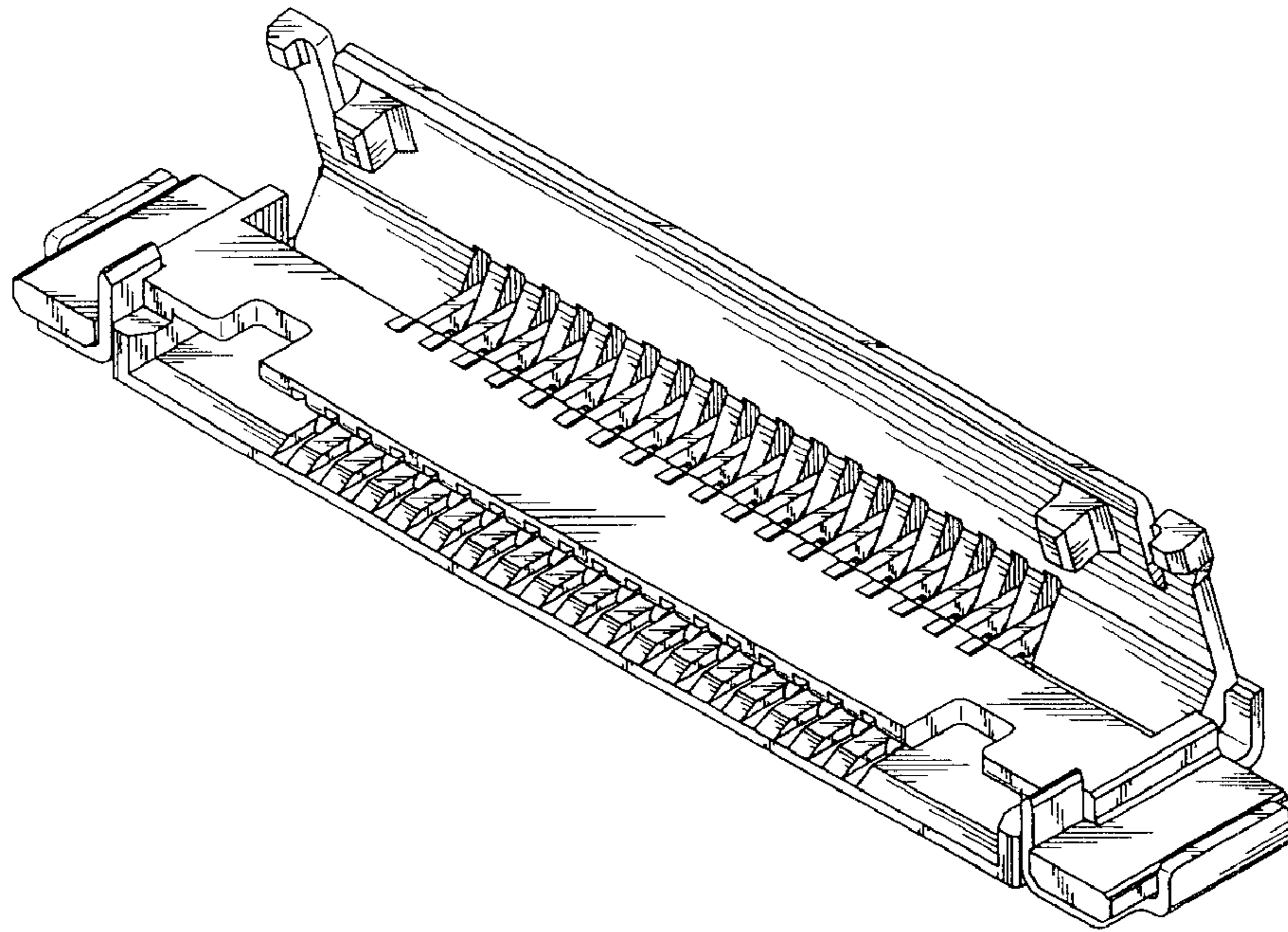


Fig.2

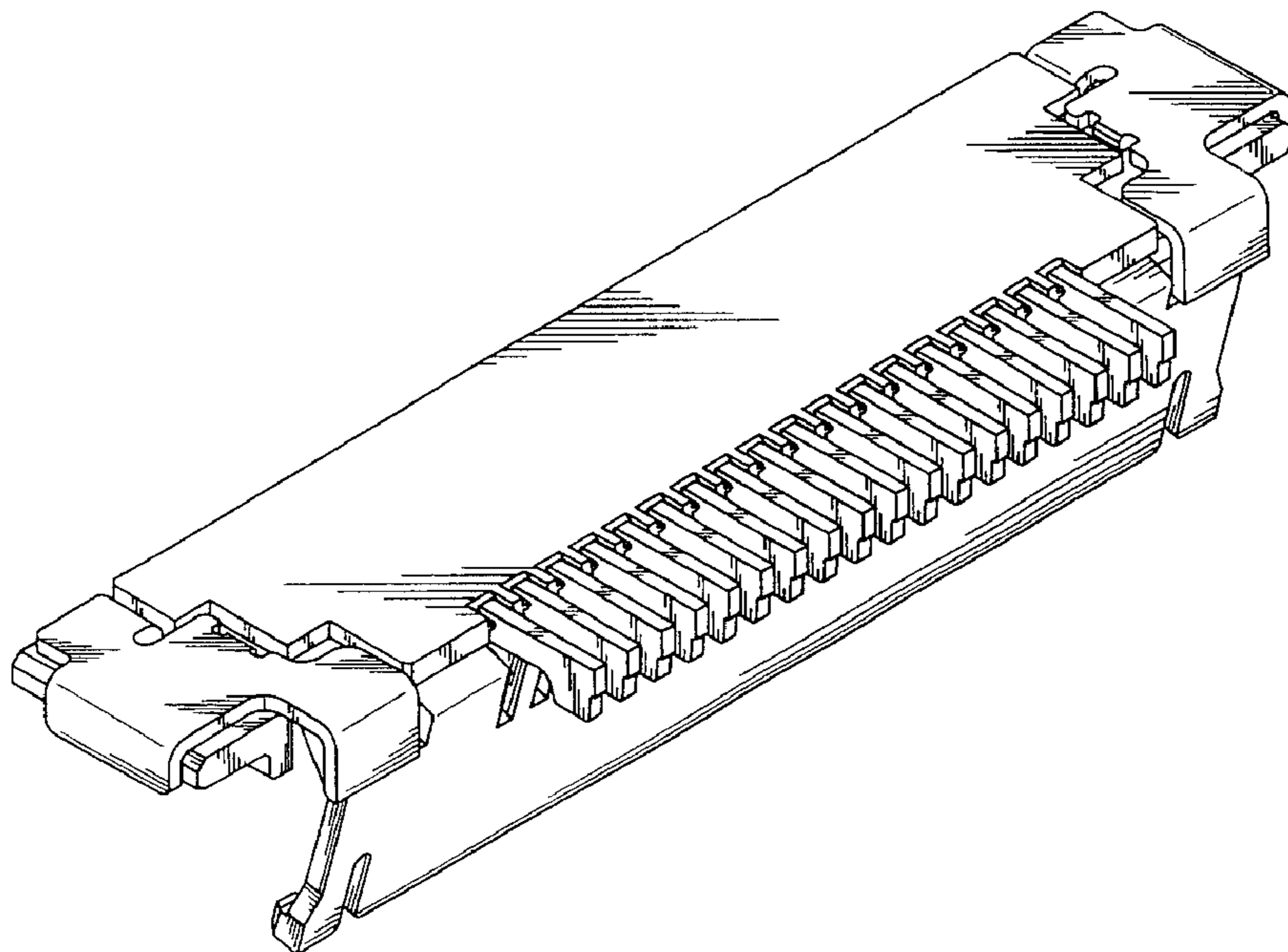


Fig.3

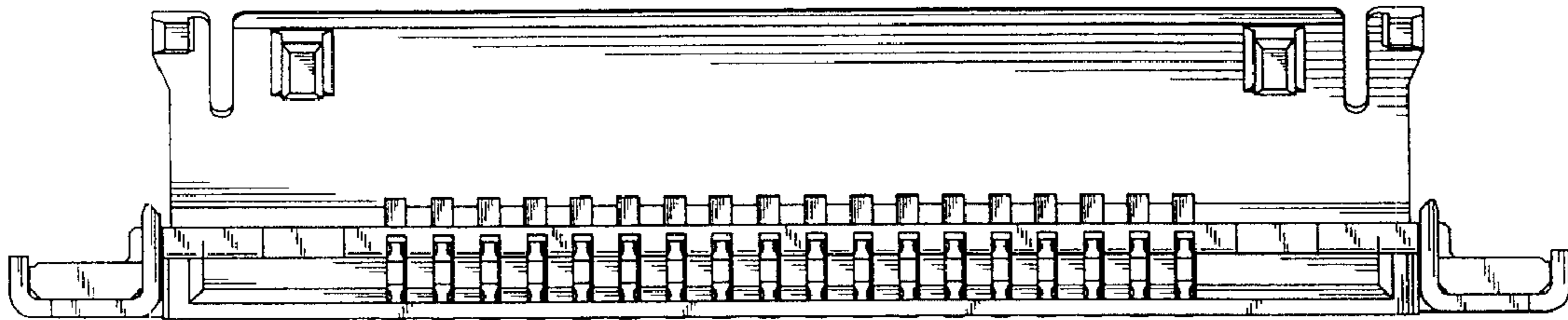


Fig.4

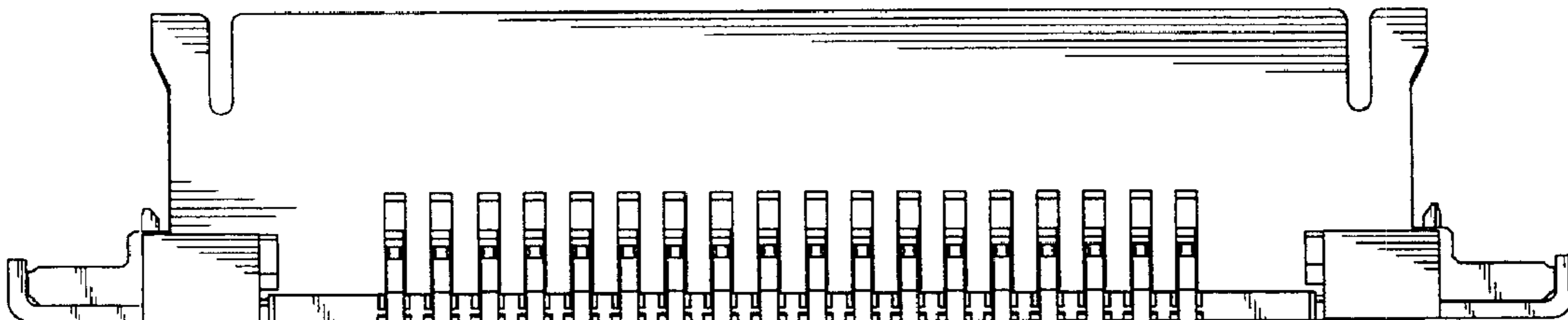


Fig.5

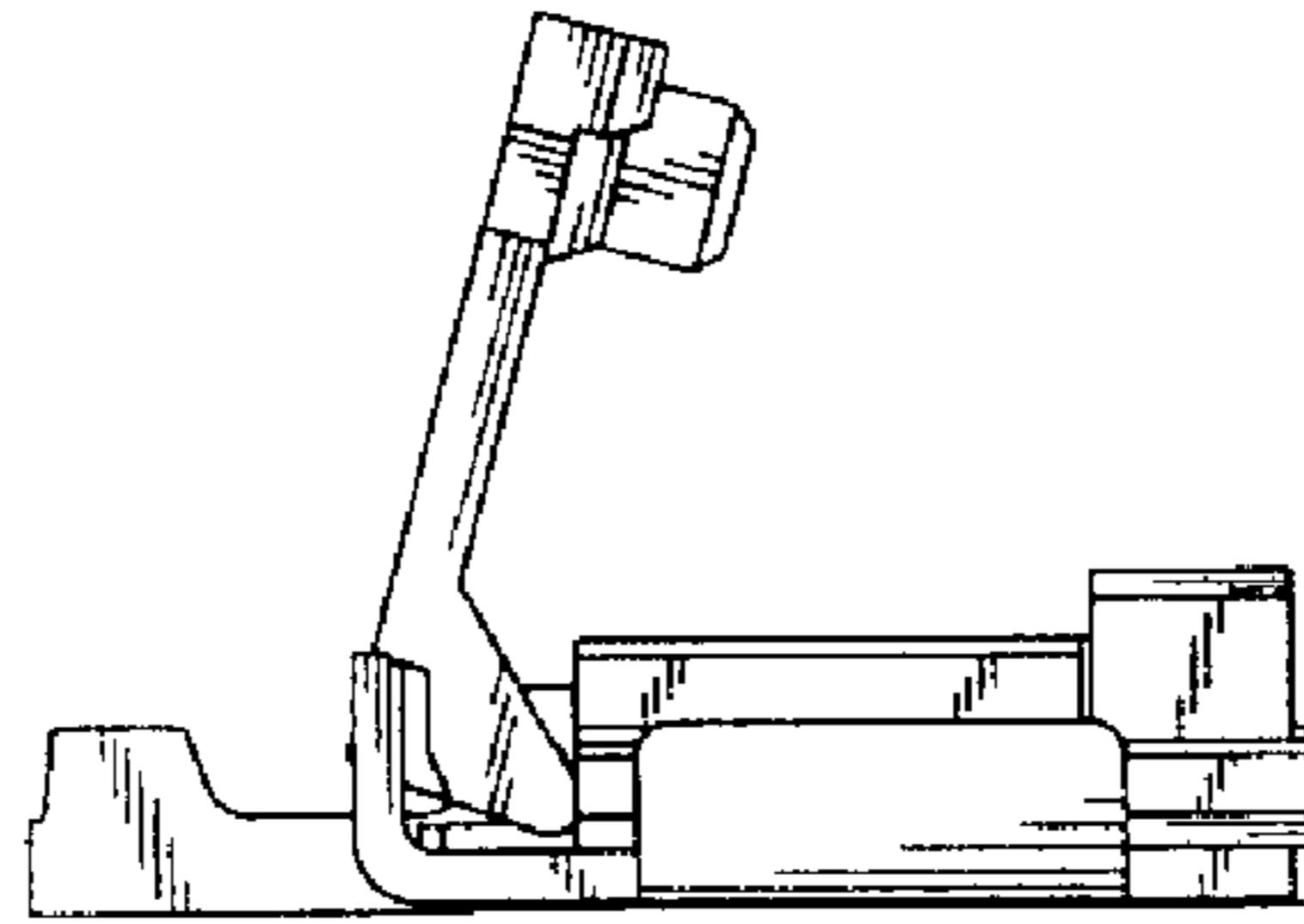


Fig.6

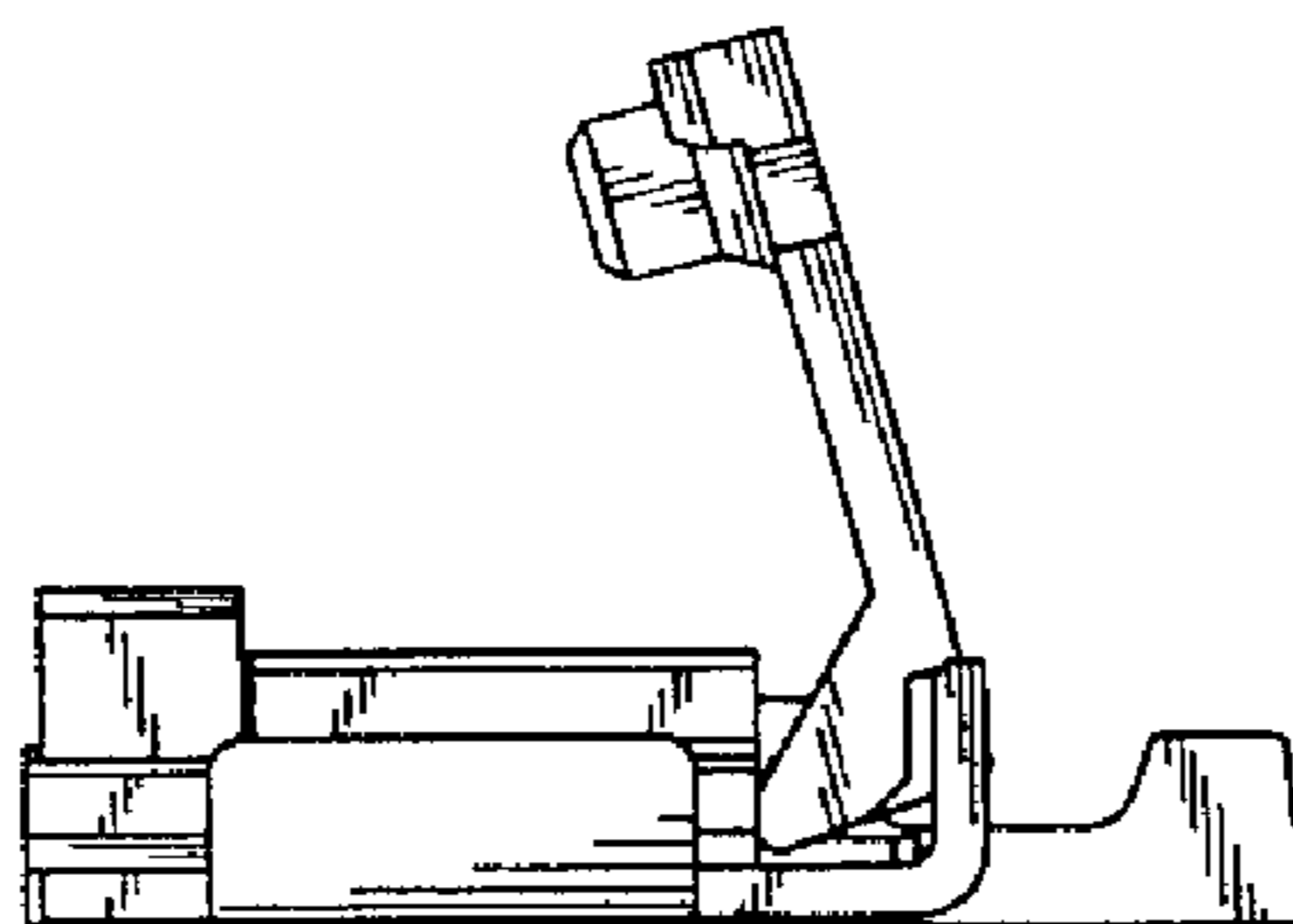


Fig.7

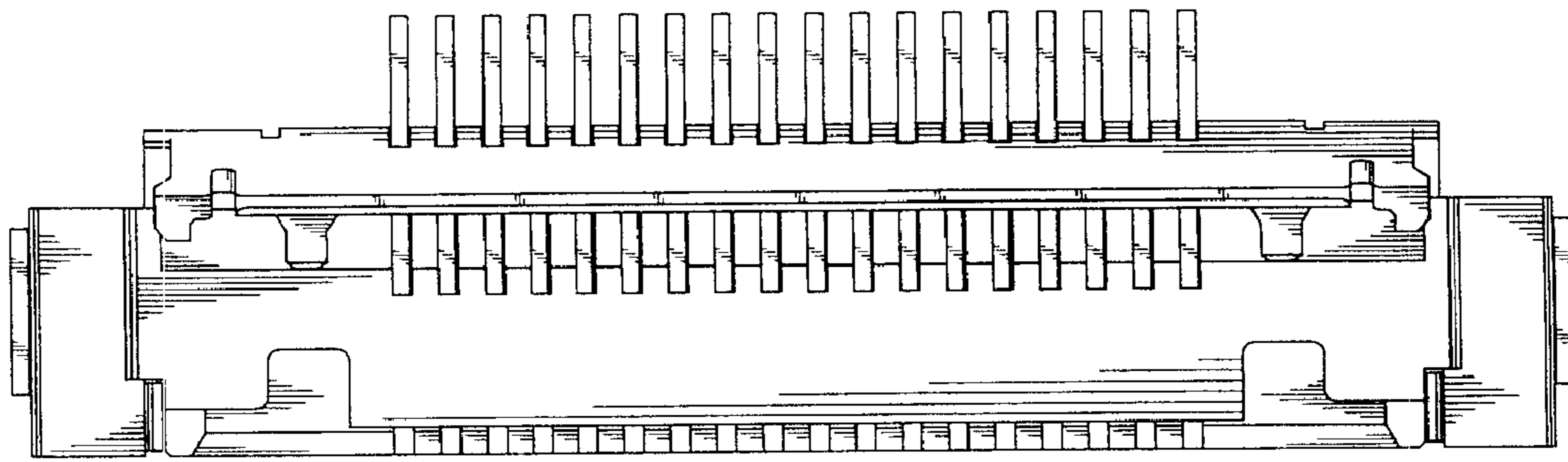


Fig.8

