



US00D531580S

(12) **United States Design Patent**  
**Nishio et al.**

(10) **Patent No.:** **US D531,580 S**

(45) **Date of Patent:** **\*\* Nov. 7, 2006**

(54) **CONNECTOR**

(75) Inventors: **Atsushi Nishio**, Tama (JP); **Takashi Kawasaki**, Tama (JP); **Masashi Ouchi**, Tama (JP); **Takahiro Shimoyama**, Tama (JP)

(73) Assignee: **Mitsumi Electric Co., Ltd.**, Tokyo (JP)

(\*\*) Term: **14 Years**

(21) Appl. No.: **29/245,626**

(22) Filed: **Dec. 28, 2005**

(30) **Foreign Application Priority Data**

Aug. 12, 2005 (JP) ..... 2005-023581

(51) **LOC (8) Cl.** ..... **13-03**

(52) **U.S. Cl.** ..... **D13/147**

(58) **Field of Classification Search** ..... D13/133,  
D13/146-147, 154, 184, 199; D14/356, 363,  
D14/365, 385, 433; 439/350, 607-610, 677,  
439/680-682

See application file for complete search history.

(56) **References Cited**

**U.S. PATENT DOCUMENTS**

5,267,882 A \* 12/1993 Davis ..... 439/680

D429,484 S \* 8/2000 Nishio et al. .... D13/147  
D432,500 S \* 10/2000 Nishio et al. .... D13/147  
D434,381 S \* 11/2000 Shimojyo ..... D13/147  
D452,217 S \* 12/2001 Shimojyo ..... D13/147  
D453,498 S \* 2/2002 Fujita ..... D13/147  
6,508,678 B1 \* 1/2003 Yang ..... 439/677  
D516,037 S \* 2/2006 Huang et al. .... D13/147  
2004/0115990 A1 \* 6/2004 Kodama ..... 439/607

\* cited by examiner

*Primary Examiner*—Stella Reid

*Assistant Examiner*—Daniel Bui

(74) *Attorney, Agent, or Firm*—Sughrue Mion, PLLC

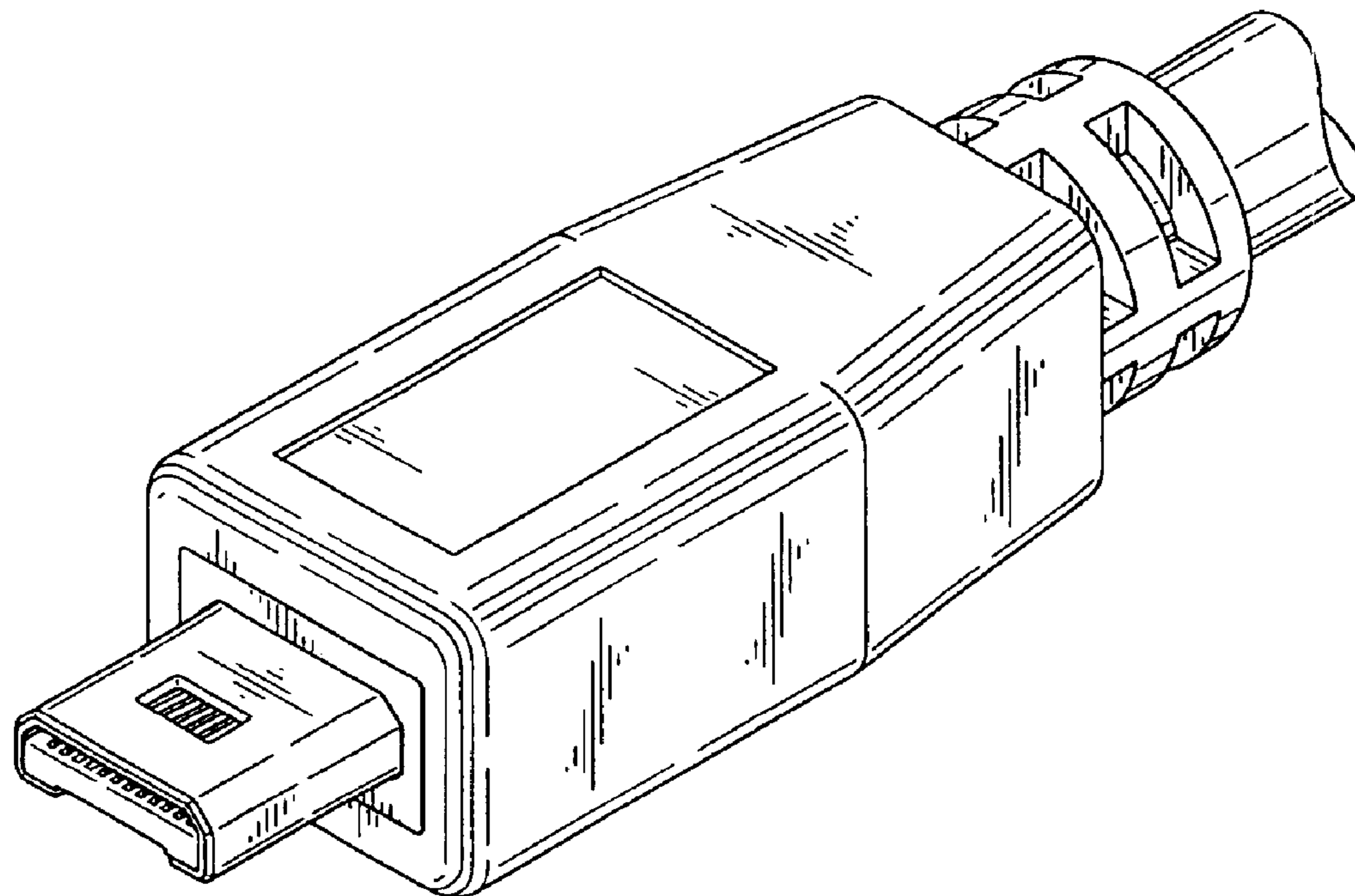
(57) **CLAIM**

The ornamental design for a connector, as shown.

**DESCRIPTION**

FIG. 1 is a perspective view of the top, front and right side of a connector showing our new design; FIG. 2 is a top plan view thereof; FIG. 3 is a right side elevational view thereof; FIG. 4 is a front elevational view thereof; FIG. 5 is a rear elevational view thereof; FIG. 6 is a left side elevational view thereof; and, FIG. 7 is a bottom plan view thereof.

**1 Claim, 2 Drawing Sheets**



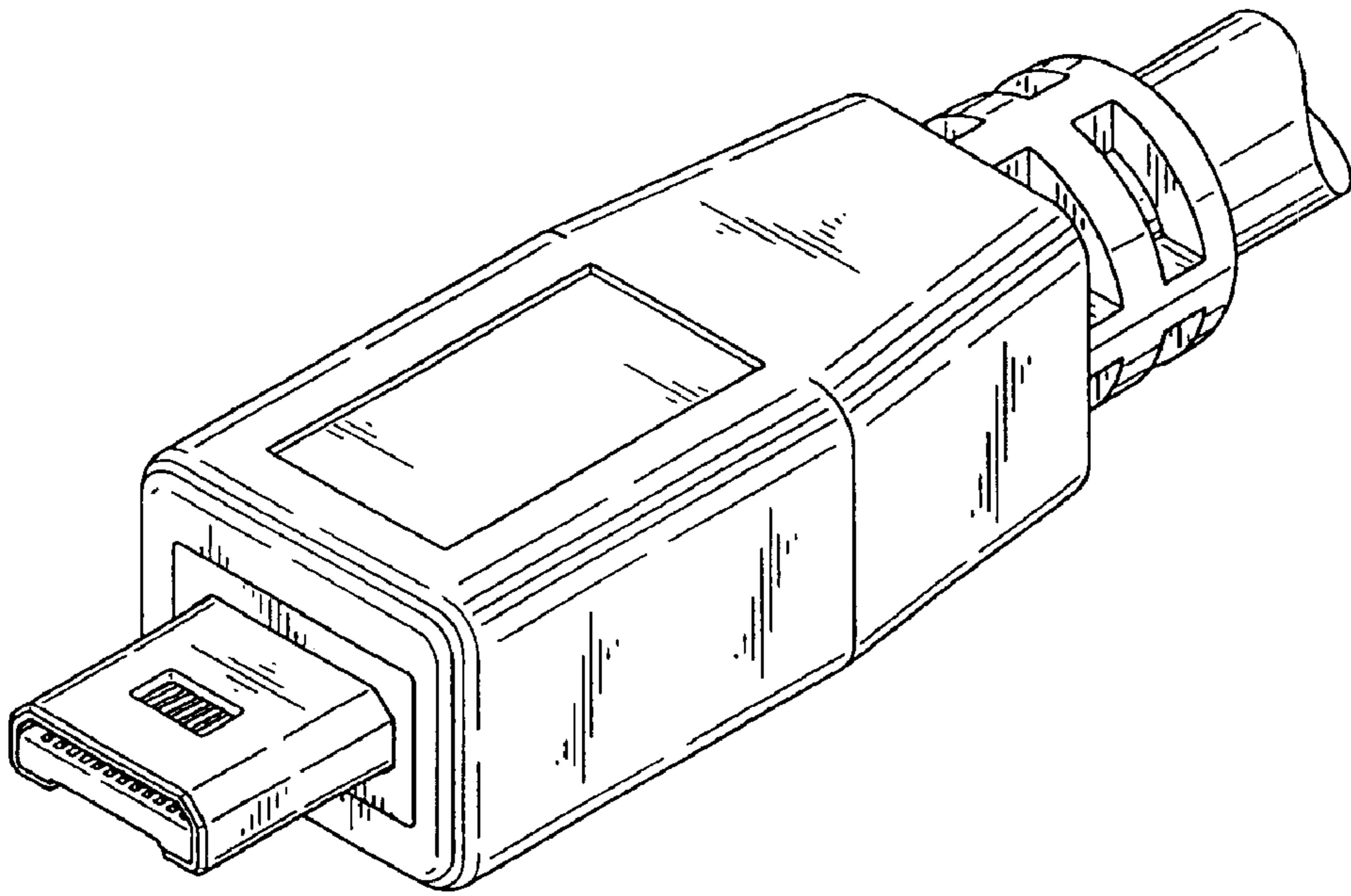


FIG. 1

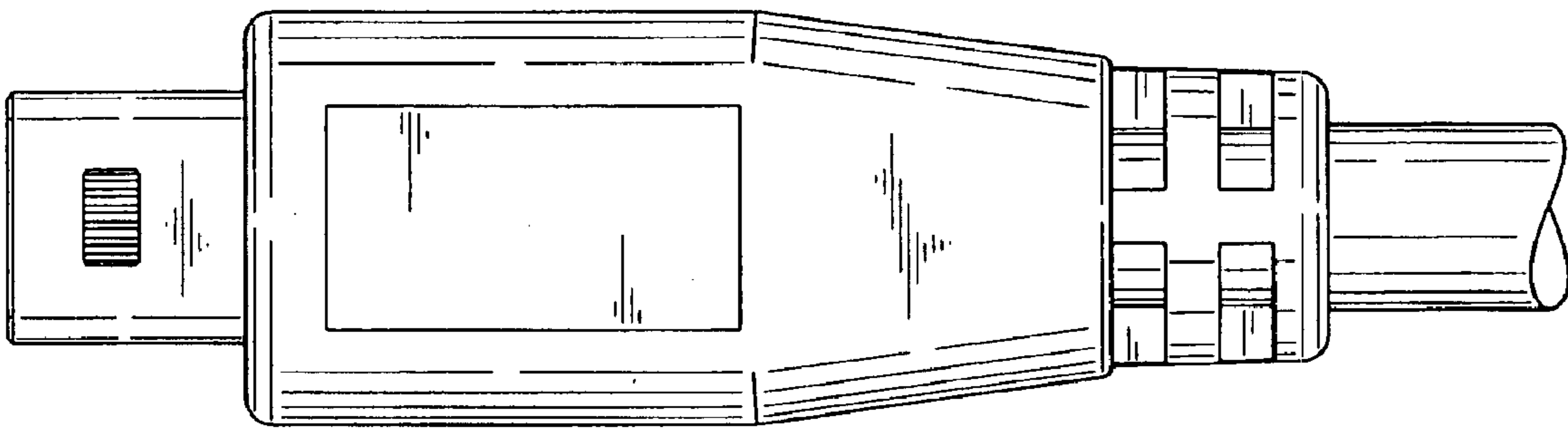


FIG. 2

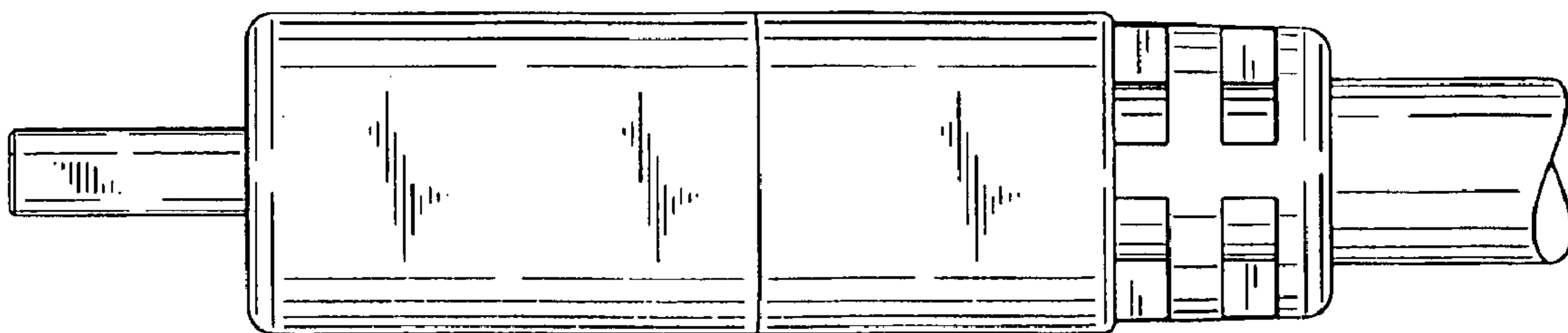
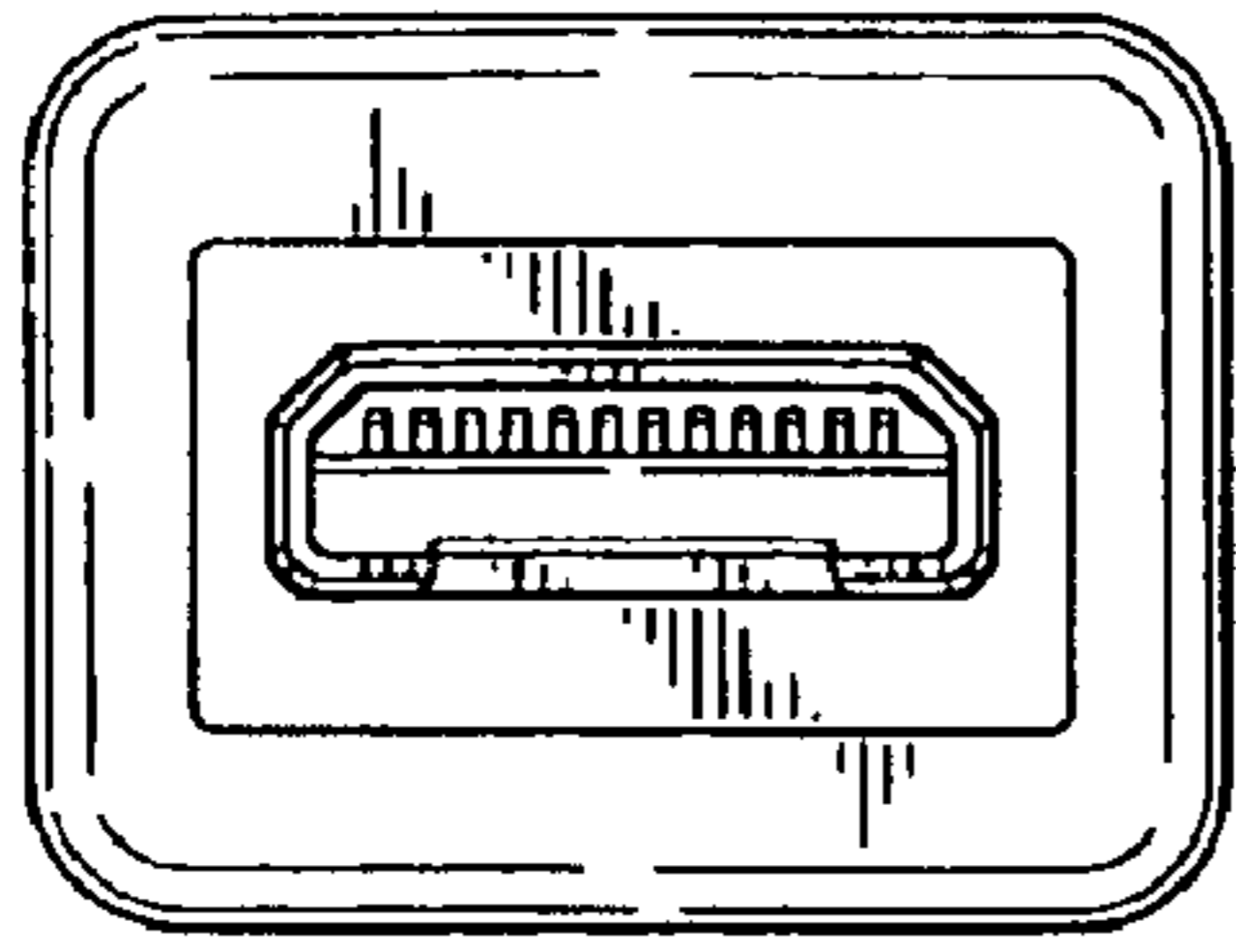
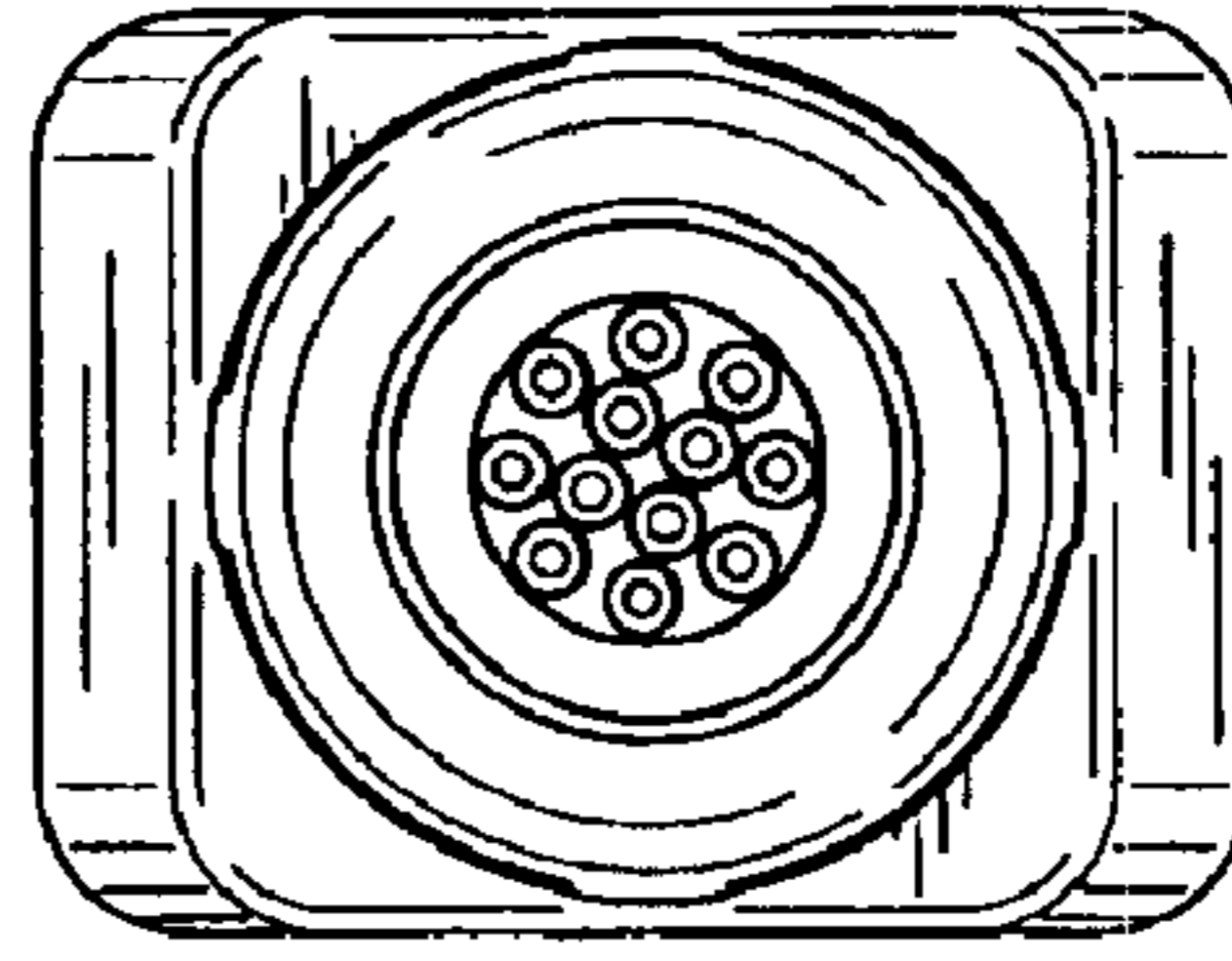


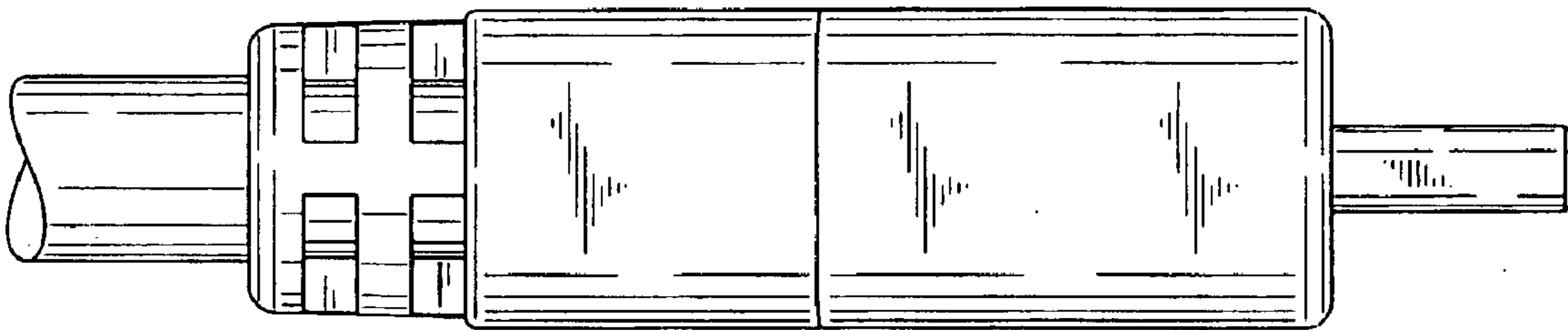
FIG. 3



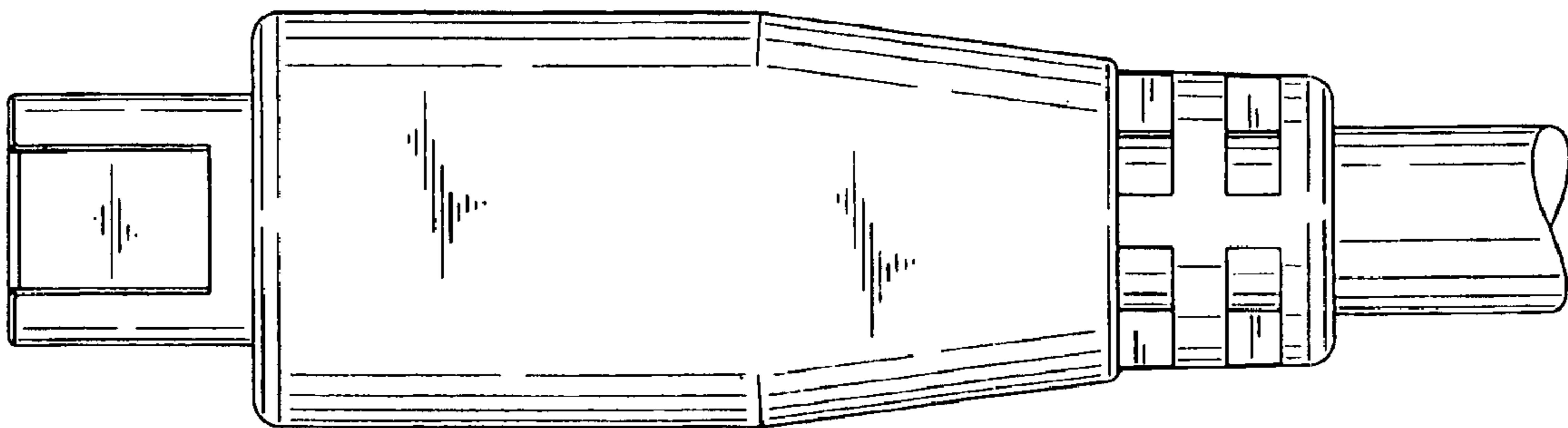
*FIG. 4*



*FIG. 5*



*FIG. 6*



*FIG. 7*