



US00D531578S

(12) **United States Design Patent**
Huang et al.

(10) **Patent No.:** **US D531,578 S**

(45) **Date of Patent:** **** Nov. 7, 2006**

(54) **USB CONNECTOR**

(75) Inventors: **Shang Yen Huang**, Taipei (TW); **Sheng Ho Yang**, Taipei (TW)

(73) Assignee: **Advanced Connectek Inc.**, Taipei County (TW)

(**) Term: **14 Years**

(21) Appl. No.: **29/238,701**

(22) Filed: **Sep. 20, 2005**

(51) **LOC (8) Cl.** **13-03**

(52) **U.S. Cl.** **D13/147**

(58) **Field of Classification Search** D13/133,
D13/146-147, 154, 184, 199; D14/356, 363,
D14/365, 385, 433; 439/350, 607-610, 677,
439/680-682

See application file for complete search history.

(56) **References Cited**

U.S. PATENT DOCUMENTS

D465,459 S	*	11/2002	Zhu et al.	D13/147
6,733,333 B1	*	5/2004	Chen	439/552
D500,737 S	*	1/2005	Shao	D13/147
D510,724 S	*	10/2005	Li et al.	D13/147

7,037,120 B1	*	5/2006	Yeh	439/131
2003/0207611 A1	*	11/2003	Lin et al.	439/501
2004/0102093 A1	*	5/2004	Huang	439/607
2006/0023433 A1	*	2/2006	Lin	361/752
2006/0024997 A1	*	2/2006	Teicher	439/217

* cited by examiner

Primary Examiner—Stella Reid

Assistant Examiner—Daniel Bui

(74) *Attorney, Agent, or Firm*—Pai Patent & Trademark Law Firm; Chao-Chang David Pai

(57) **CLAIM**

The ornamental design for a USB connector, as shown and described.

DESCRIPTION

FIG. 1 is a perspective view of a USB connector, showing our new design;

FIG. 2 is a front elevation view thereof;

FIG. 3 is a rear elevation view thereof;

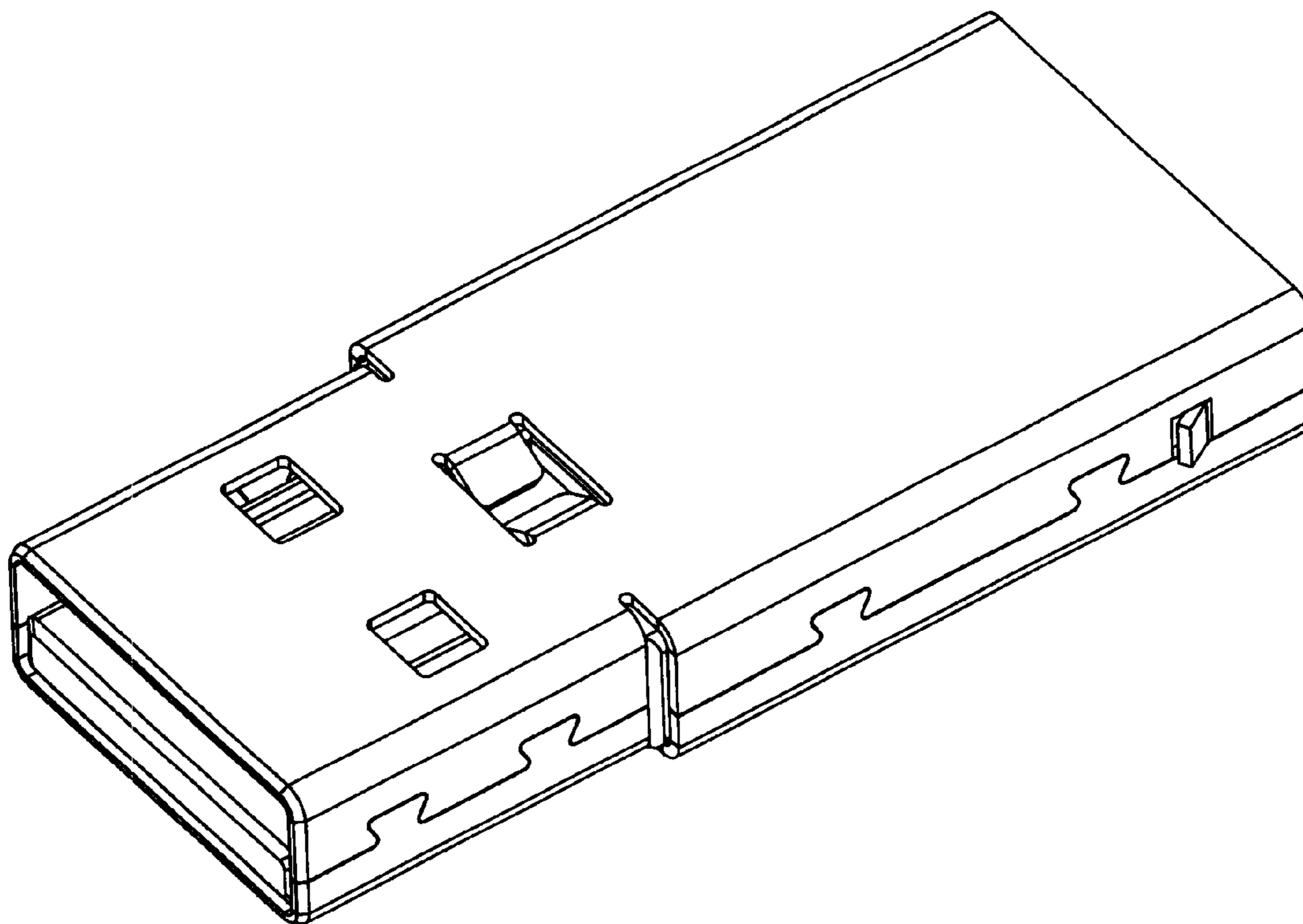
FIG. 4 is a left side elevation view thereof;

FIG. 5 is a right side elevation view thereof;

FIG. 6 is a top plan view thereof; and,

FIG. 7 is a bottom plan view thereof.

1 Claim, 4 Drawing Sheets



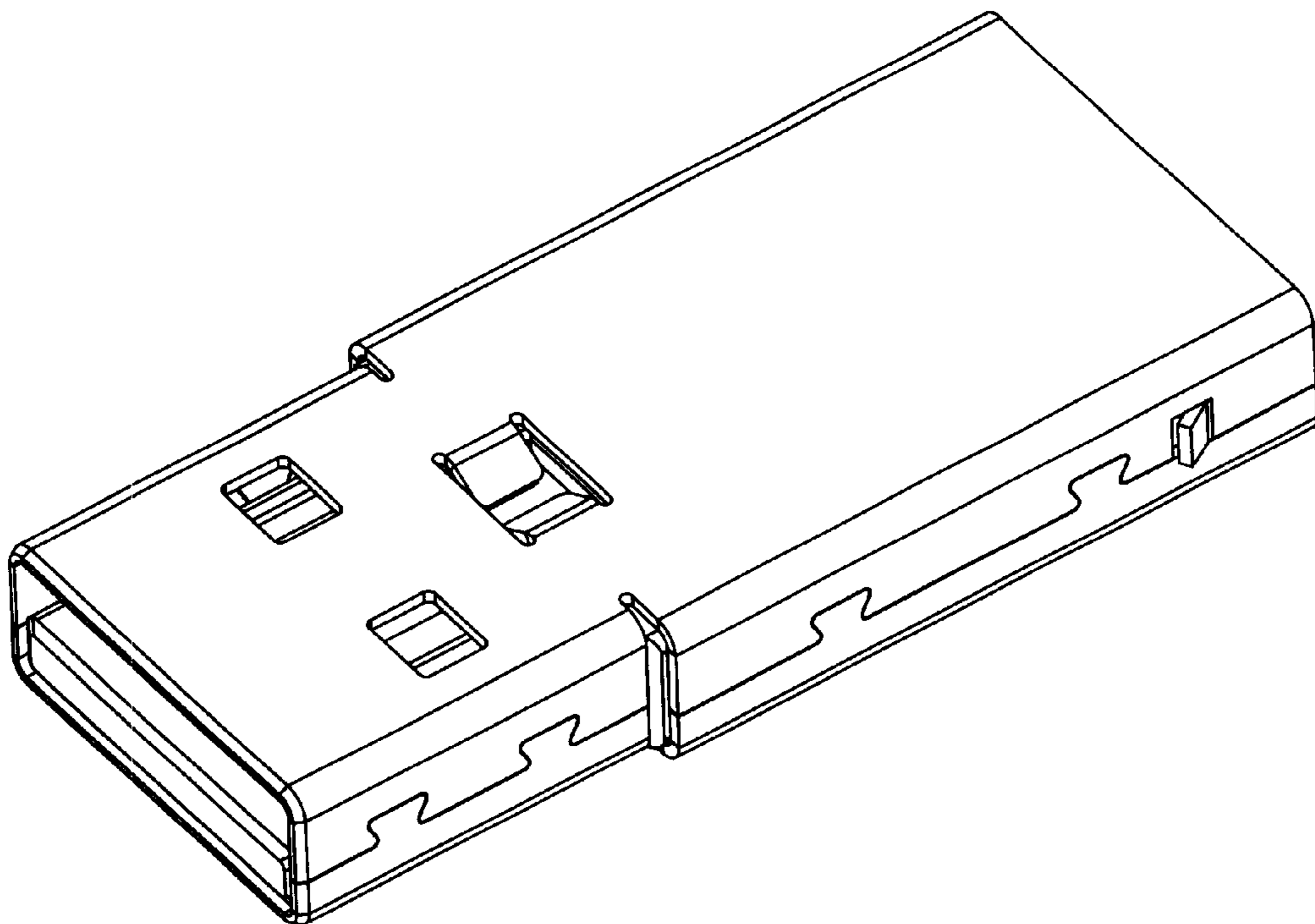


FIG.1

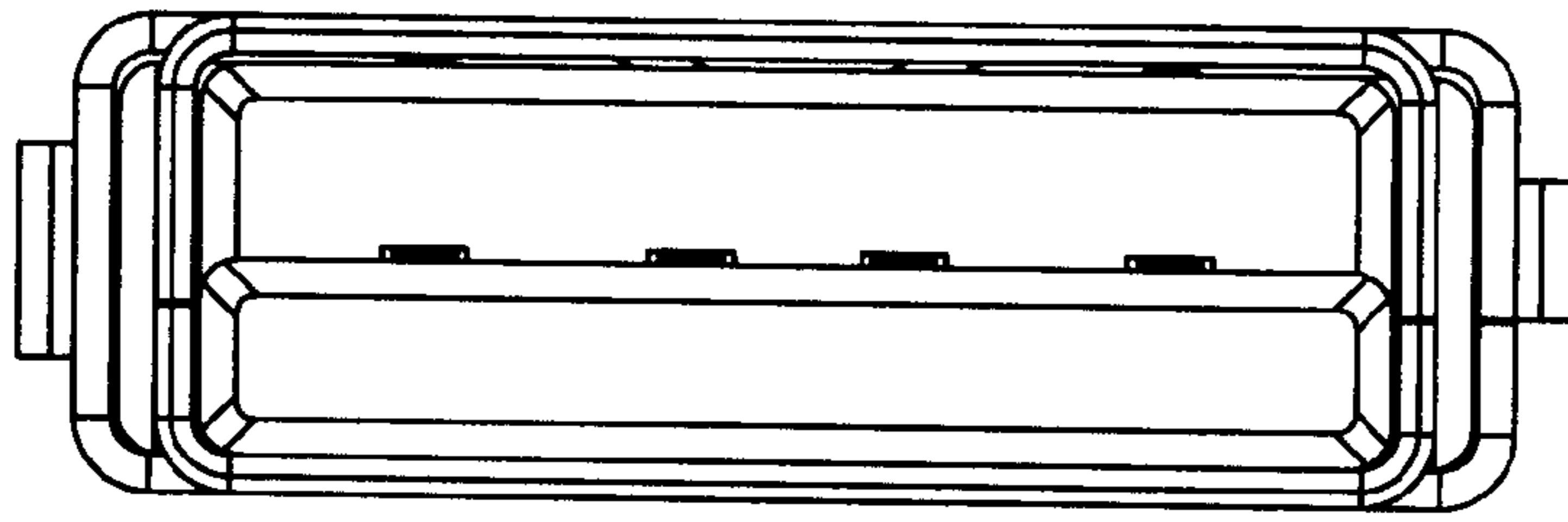


FIG. 2

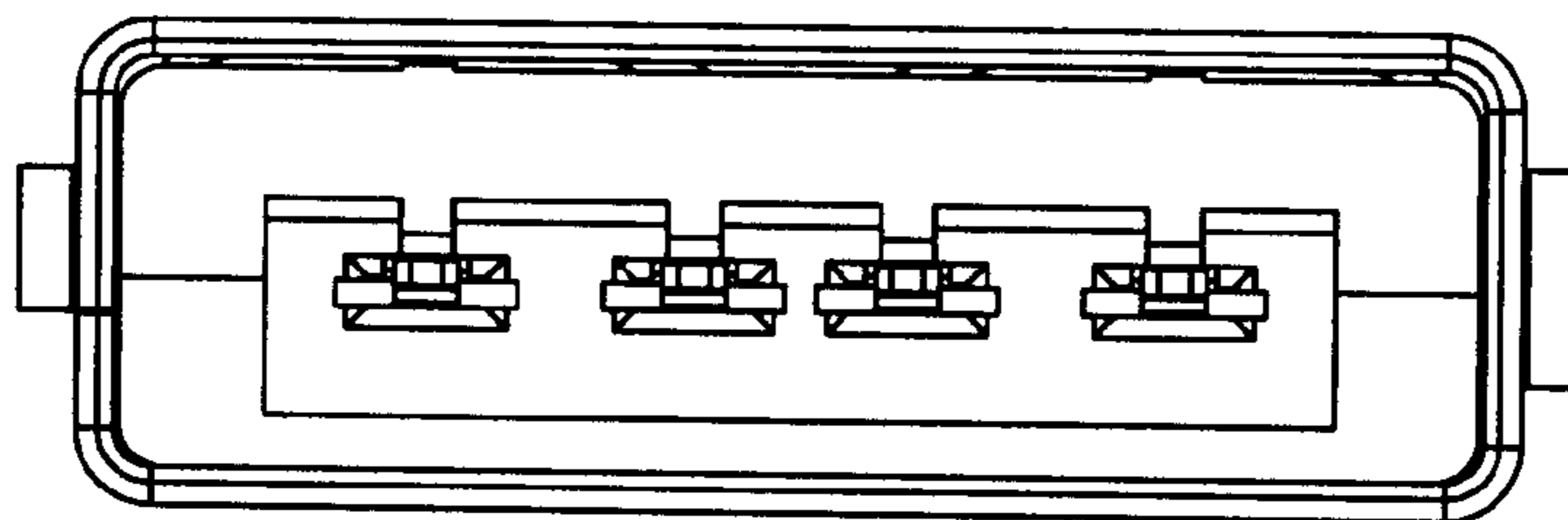


FIG. 3

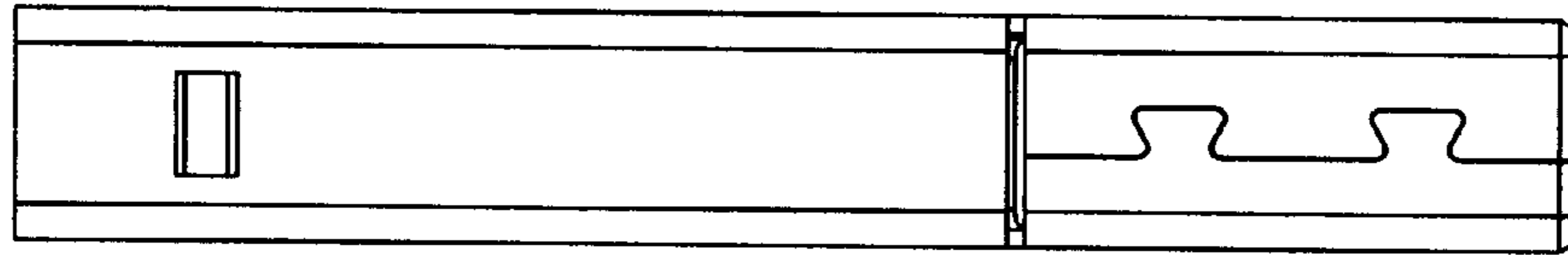


FIG. 4

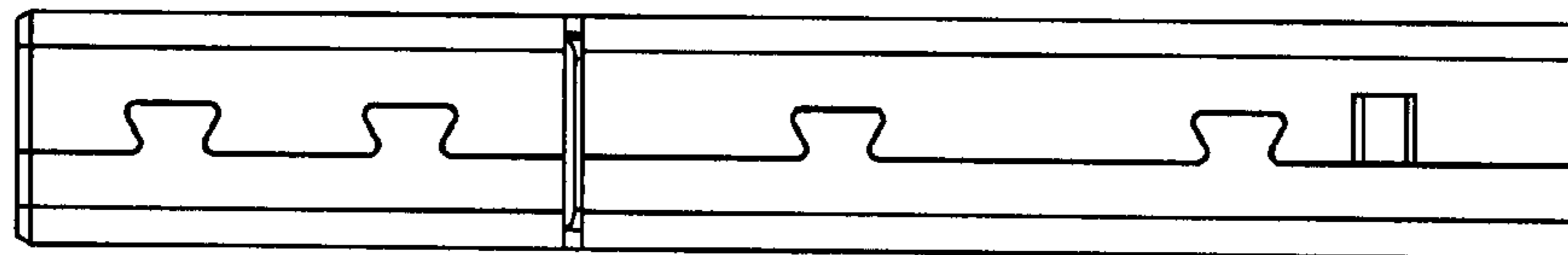


FIG. 5

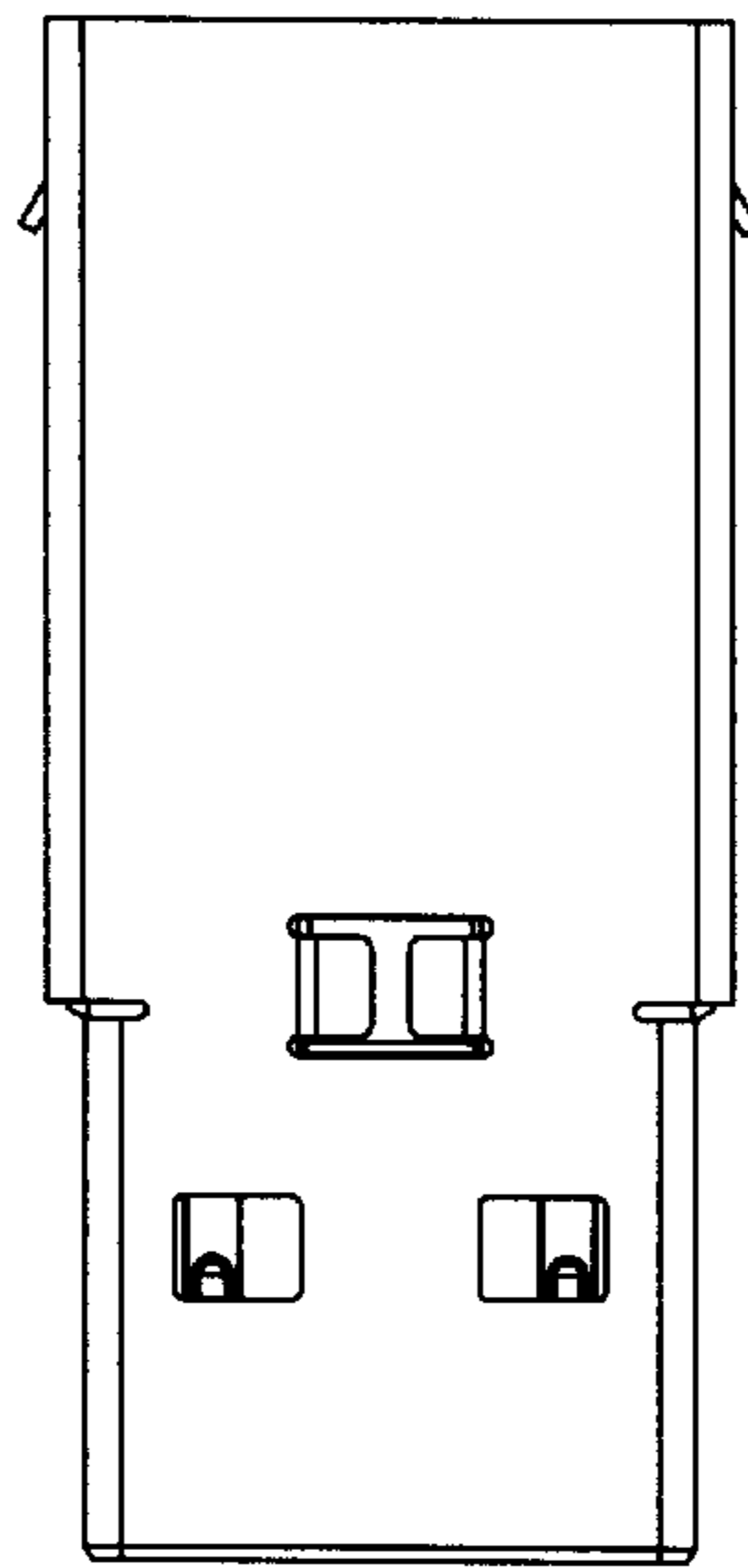


FIG.6

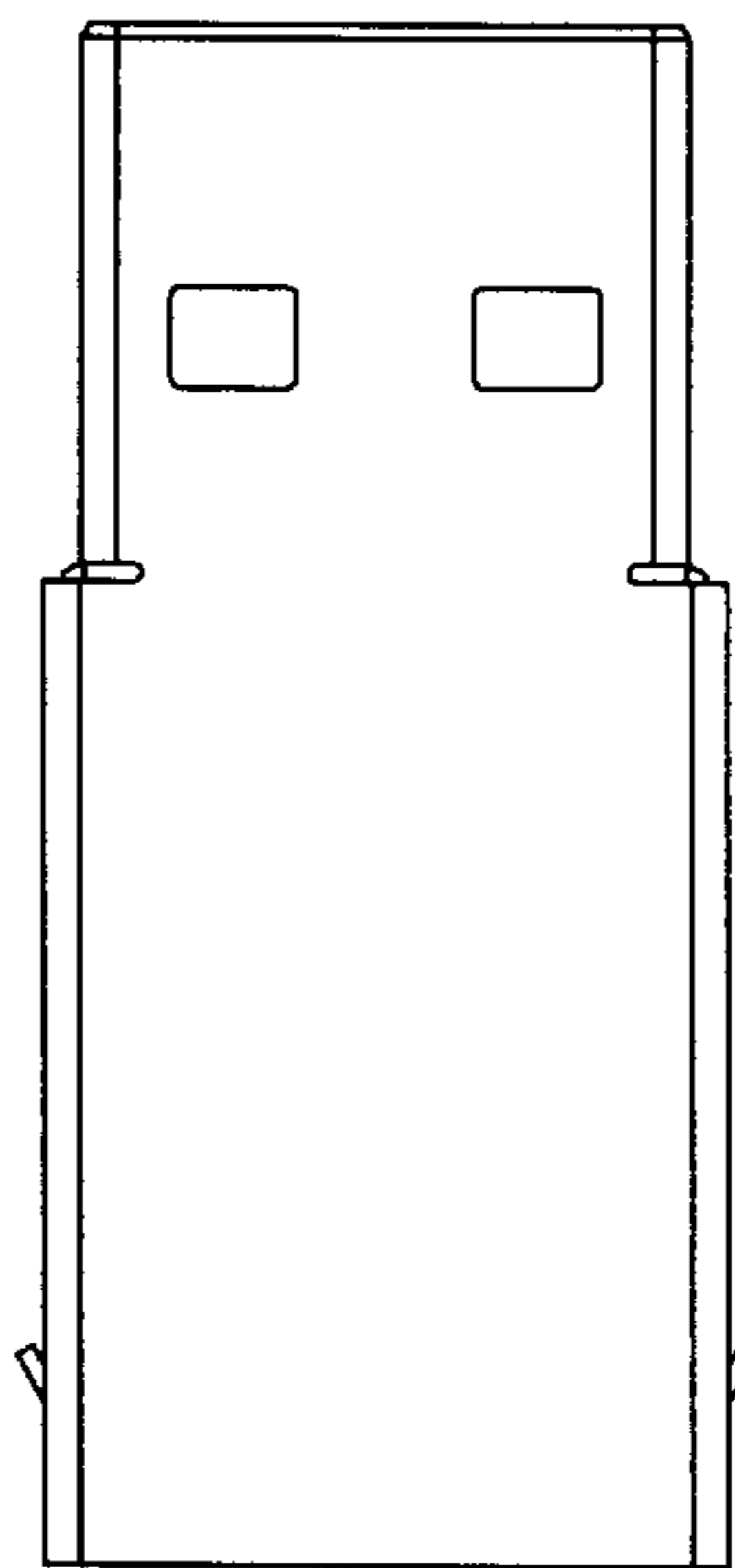


FIG.7