

US00D531577S

(12) **United States Design Patent**
Su

(10) **Patent No.:** **US D531,577 S**
(45) **Date of Patent:** **** Nov. 7, 2006**

- (54) **RECEPTACLE CONNECTOR**
 - (75) Inventor: **Chia Sheng Su, Tucheng (TW)**
 - (73) Assignee: **Cheng Uei Precision Industry Co., Ltd., Taipei (TW)**
 - (**) Term: **14 Years**
 - (21) Appl. No.: **29/224,611**
 - (22) Filed: **Mar. 7, 2005**
 - (51) **LOC (8) Cl.** **13-03**
 - (52) **U.S. Cl.** **D13/147**
 - (58) **Field of Classification Search** D13/123,
D13/133, 146, 147, 184, 199; 439/62, 79,
439/260, 329, 395, 422, 492, 499, 607-608,
439/660
- See application file for complete search history.

- D471,867 S * 3/2003 Fan D13/147
- D472,524 S * 4/2003 Yamawaki et al. D13/147
- D503,150 S * 3/2005 Yamawaki et al. D13/147
- 6,953,367 B1 * 10/2005 Ji et al. 439/660
- 6,964,582 B1 * 11/2005 Zhuang et al. 439/607
- 2004/0248467 A1 * 12/2004 Herlitz et al. 439/607
- 2005/0124218 A1 * 6/2005 Chen et al. 439/607

* cited by examiner

Primary Examiner—Stella Reid
Assistant Examiner—Daniel Bui
(74) *Attorney, Agent, or Firm*—Rosenberg, Klein & Lee

(57) **CLAIM**

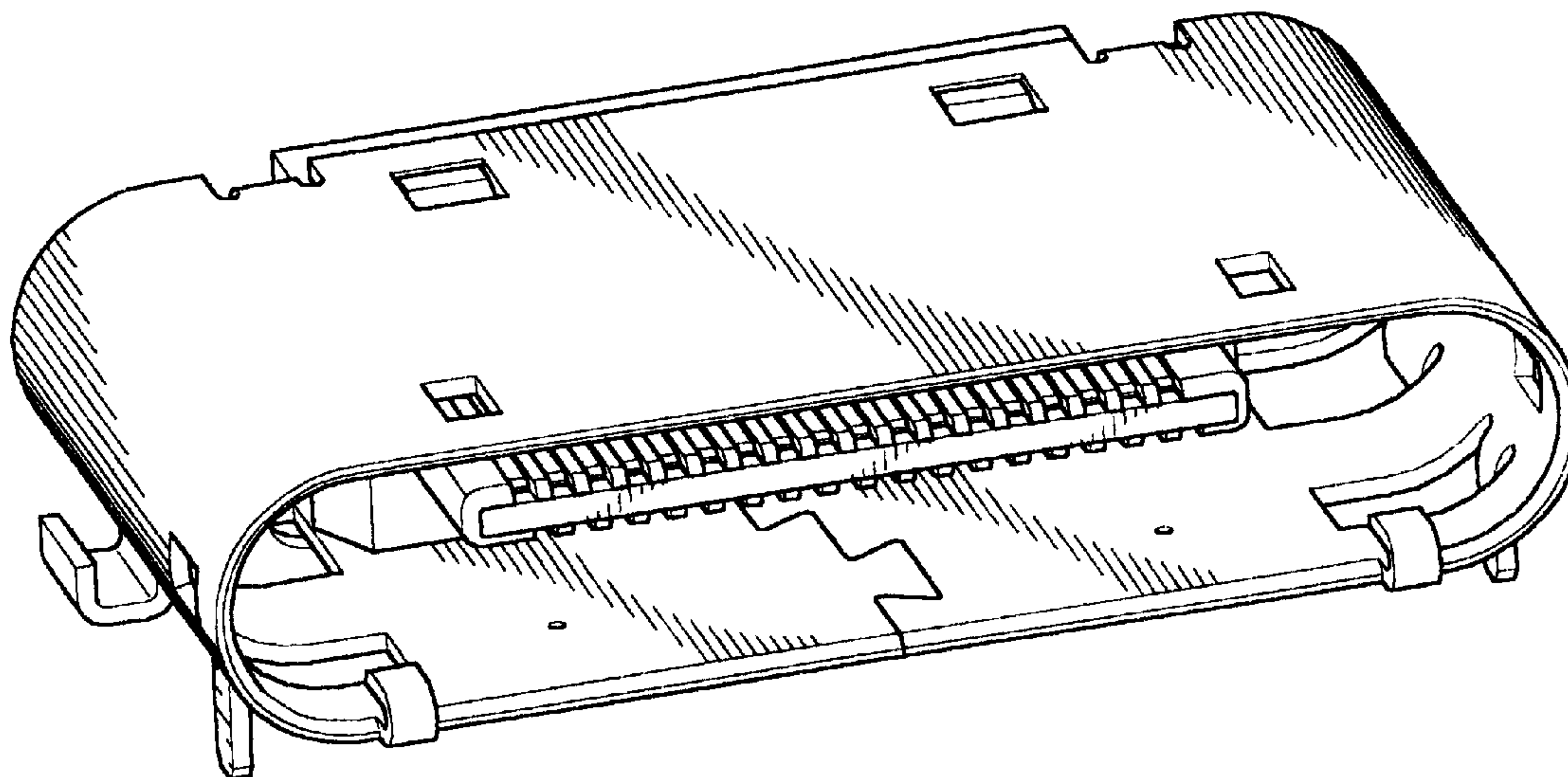
The ornamental design for a receptacle connector, as shown and described.

DESCRIPTION

FIG. 1 is a perspective view of a receptacle connector showing my new design;
FIG. 2 is a front elevational view thereof;
FIG. 3 is a rear elevational view thereof;
FIG. 4 is a left side elevational view thereof;
FIG. 5 is a right side elevational view thereof;
FIG. 6 is a top plan view thereof; and,
FIG. 7 is a bottom plan view thereof.

1 Claim, 5 Drawing Sheets

- (56) **References Cited**
- U.S. PATENT DOCUMENTS
- 4,940,420 A * 7/1990 Munie 439/272
- D310,995 S * 10/1990 Yamamoto D13/147
- D324,032 S * 2/1992 Sueyoshi et al. D13/147
- 6,213,793 B1 * 4/2001 Norizuki et al. 439/157
- D459,309 S * 6/2002 Tanaka D13/147



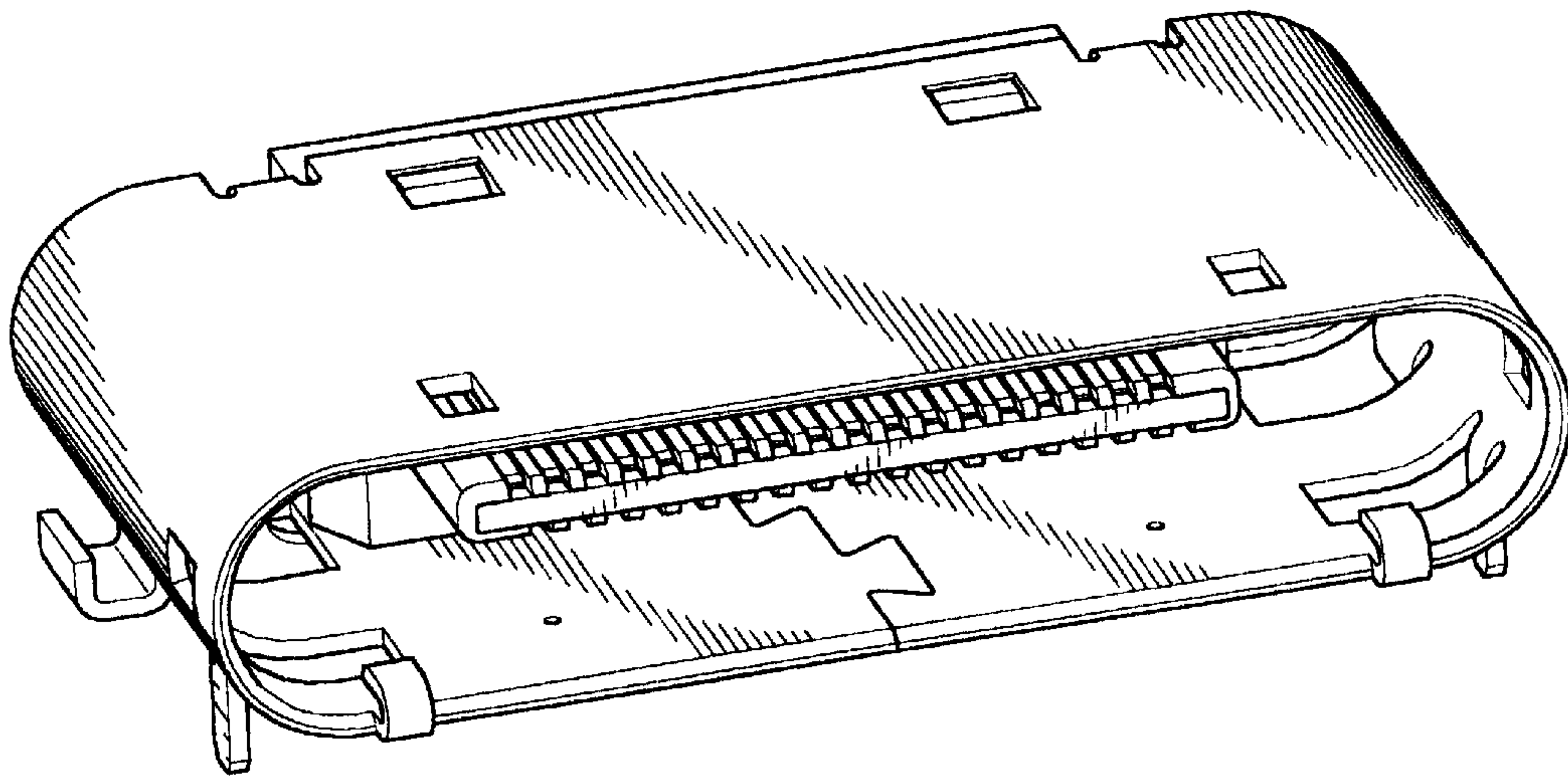


FIG. 1

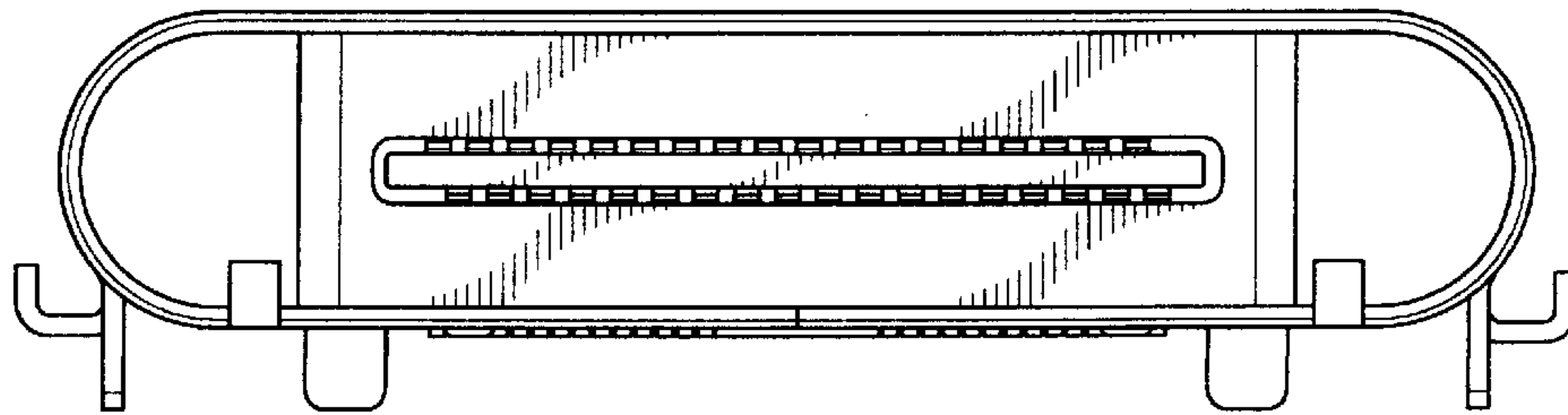


FIG. 2

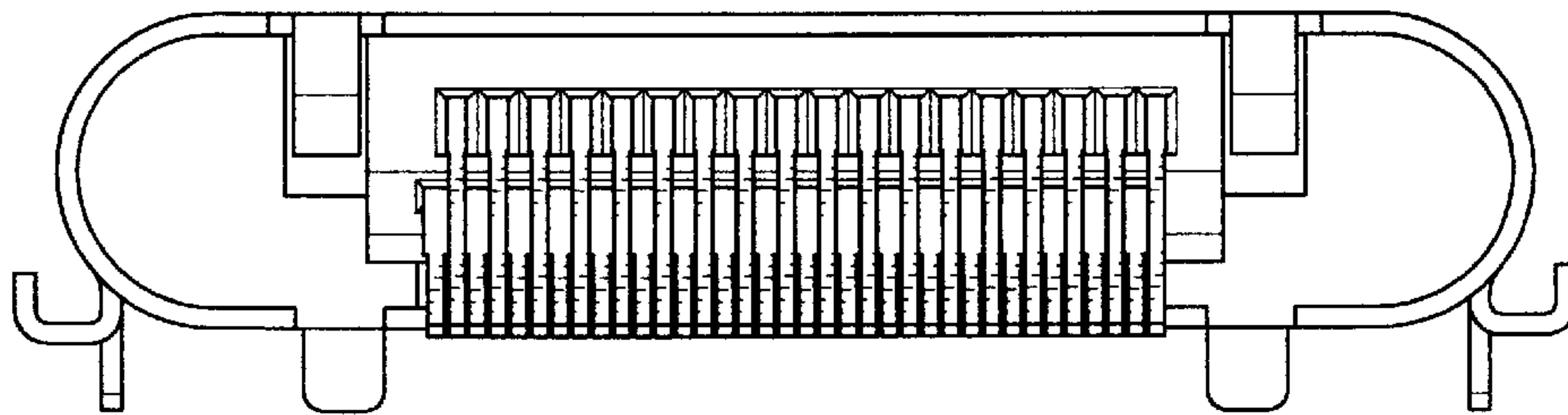


FIG. 3

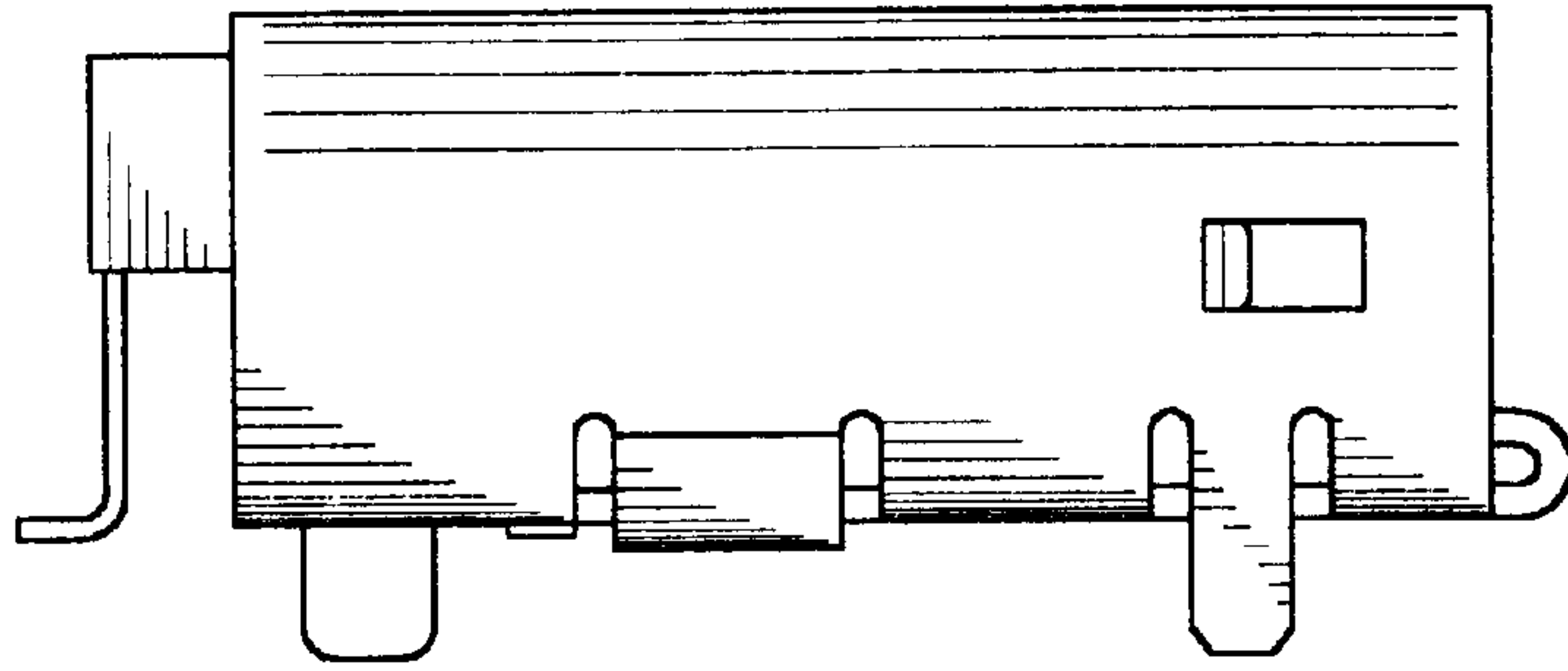


FIG. 4

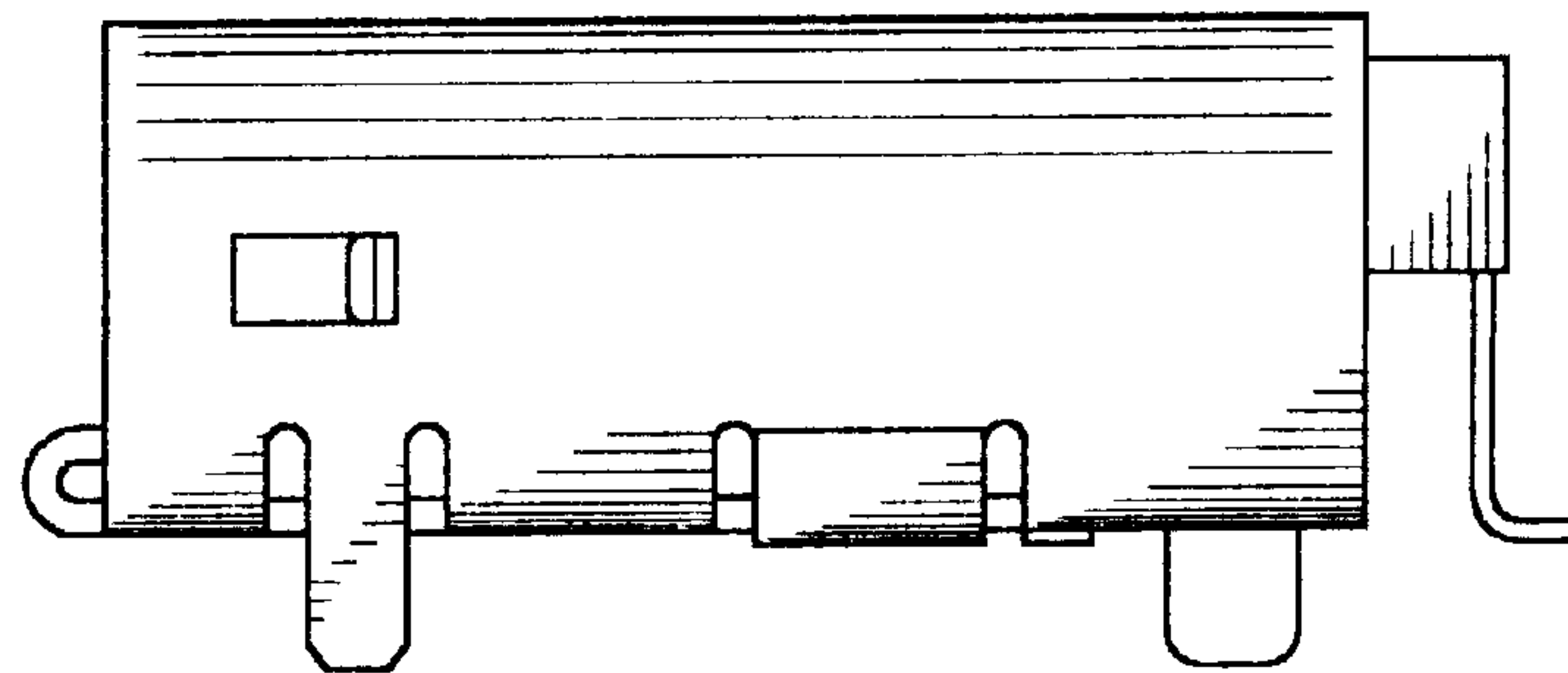


FIG. 5

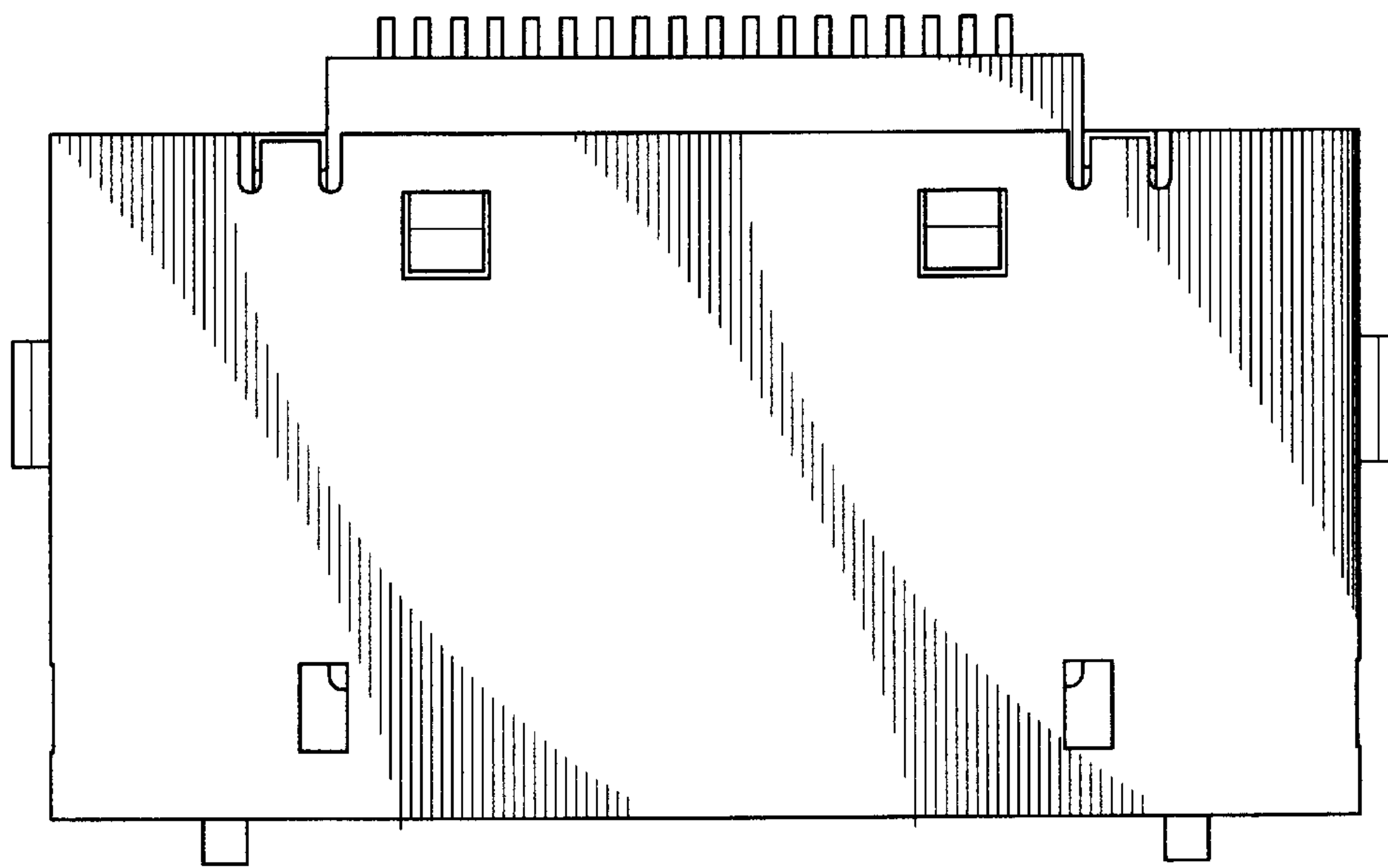


FIG. 6

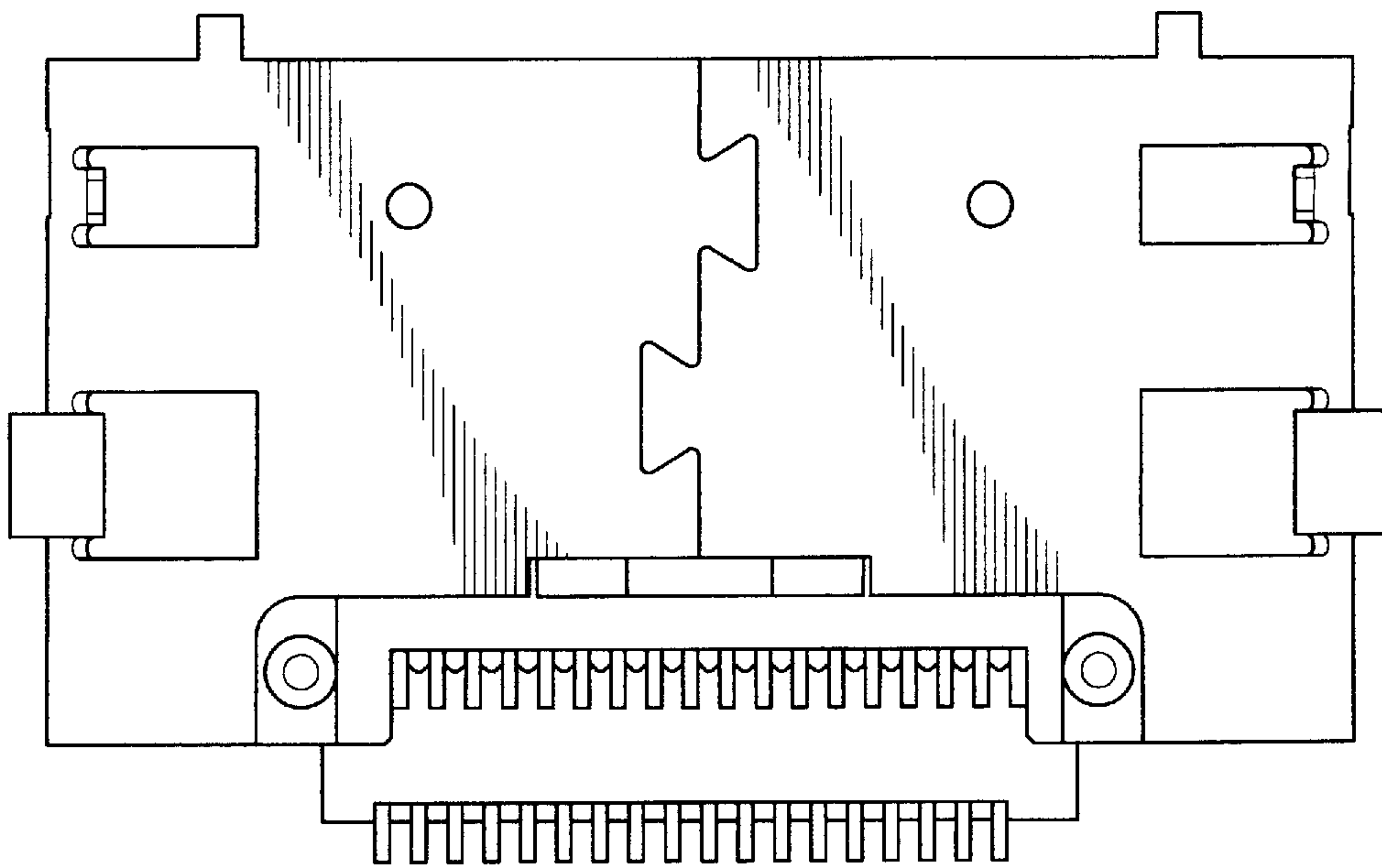


FIG. 7