



US00D531576S

(12) **United States Design Patent**  
**Bernardini**

(10) **Patent No.:** **US D531,576 S**

(45) **Date of Patent:** **\*\* Nov. 7, 2006**

(54) **STUDIO CONNECTOR**

(75) Inventor: **Allen J. Bernardini**, Morris, CT (US)

(73) Assignee: **R3 Connector Systems**, Chino, CA (US)

(\*\*) Term: **14 Years**

(21) Appl. No.: **29/204,768**

(22) Filed: **May 5, 2004**

(51) **LOC (8) Cl.** ..... **13-03**

(52) **U.S. Cl.** ..... **D13/146**

(58) **Field of Classification Search** ..... D13/123,  
D13/133, 146, 147, 154, 184; 439/278, 374,  
439/378, 527, 578, 775, 801-802, 842, 851,  
439/892, 894

See application file for complete search history.

(56) **References Cited**

**U.S. PATENT DOCUMENTS**

D239,175 S	*	3/1976	Mouffet	.....	D13/133
D245,977 S	*	10/1977	Mouffet	.....	D13/133
4,310,213 A	*	1/1982	Fetterolf et al.	.....	439/320
D334,172 S	*	3/1993	Wilcoxon	.....	D13/133
D424,525 S	*	5/2000	Katwala	.....	D13/154
D437,294 S	*	2/2001	Amin	.....	D13/156
D447,464 S	*	9/2001	Bosatelli	.....	D13/146

D509,474 S	*	9/2005	Bihrer	.....	D13/146
6,957,972 B1	*	10/2005	Starke et al.	.....	439/320
D517,018 S	*	3/2006	Montena	.....	D13/151

\* cited by examiner

*Primary Examiner*—Stella Reid

*Assistant Examiner*—Daniel Bui

(74) *Attorney, Agent, or Firm*—Lowe Hauptman & Berner LLP

(57) **CLAIM**

The ornamental design for a studio connector, as shown and described.

**DESCRIPTION**

FIG. 1 is a perspective view of a studio connector, showing my new design;

FIG. 2 is a right side view thereof;

FIG. 3 is a left side view thereof;

FIG. 4 is a bottom view thereof;

FIG. 5 is a top view thereof;

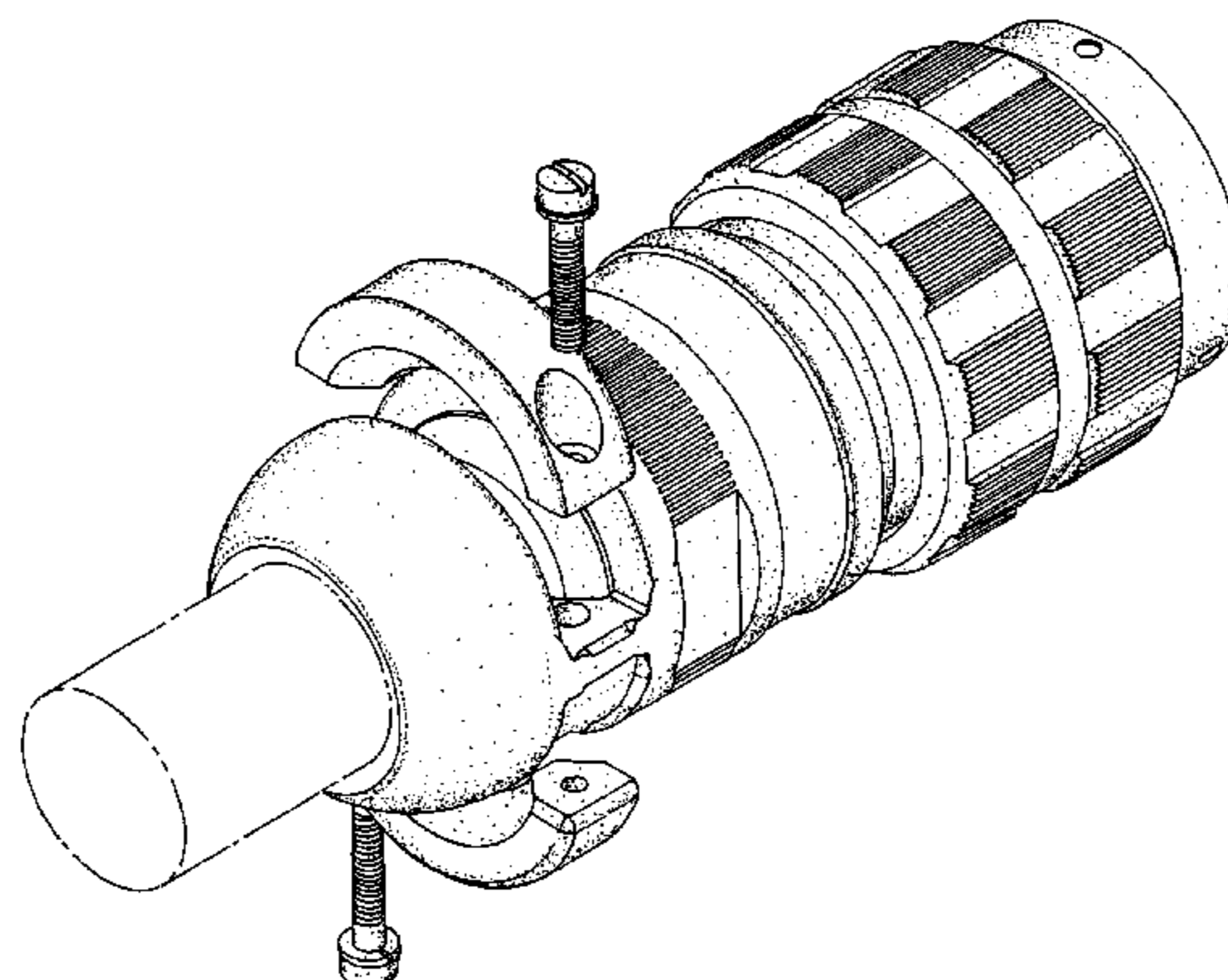
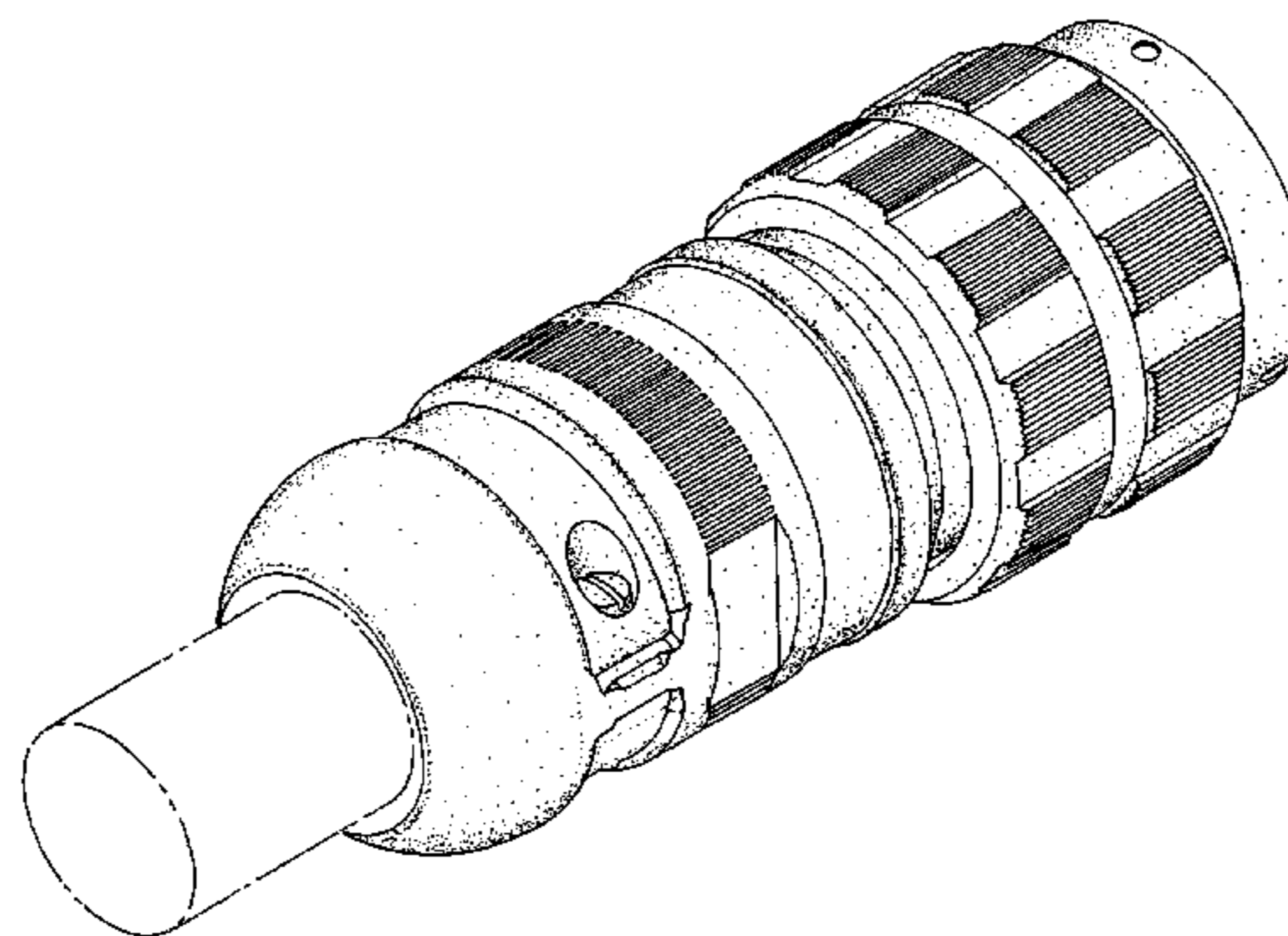
FIG. 6 is a left end view thereof;

FIG. 7 is a right end view thereof; and,

FIG. 8 is a perspective view thereof, in exploded condition.

The broken line showing of the environment is for illustrative purposes only and forms no part of the claimed design.

**1 Claim, 5 Drawing Sheets**



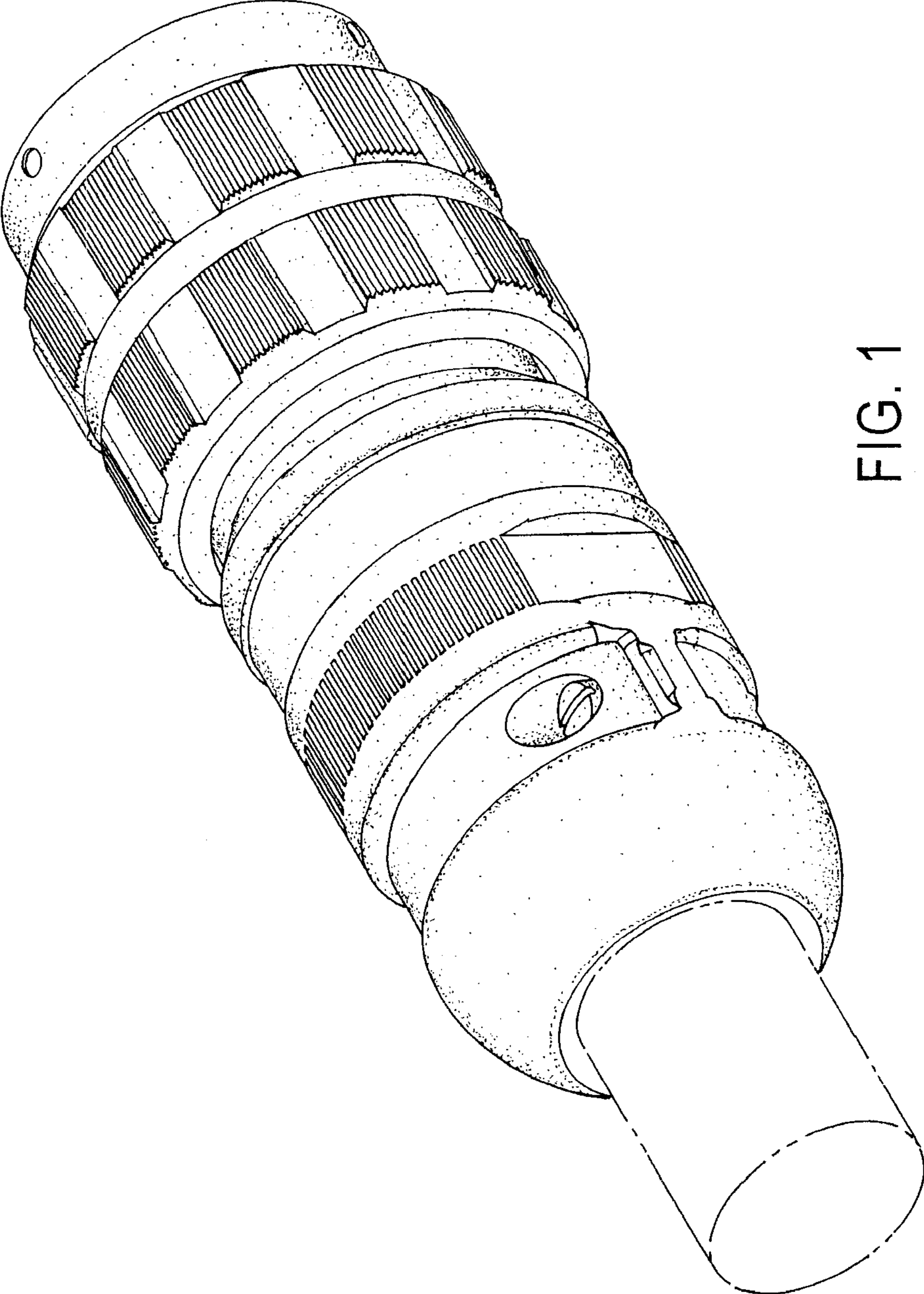


FIG. 1

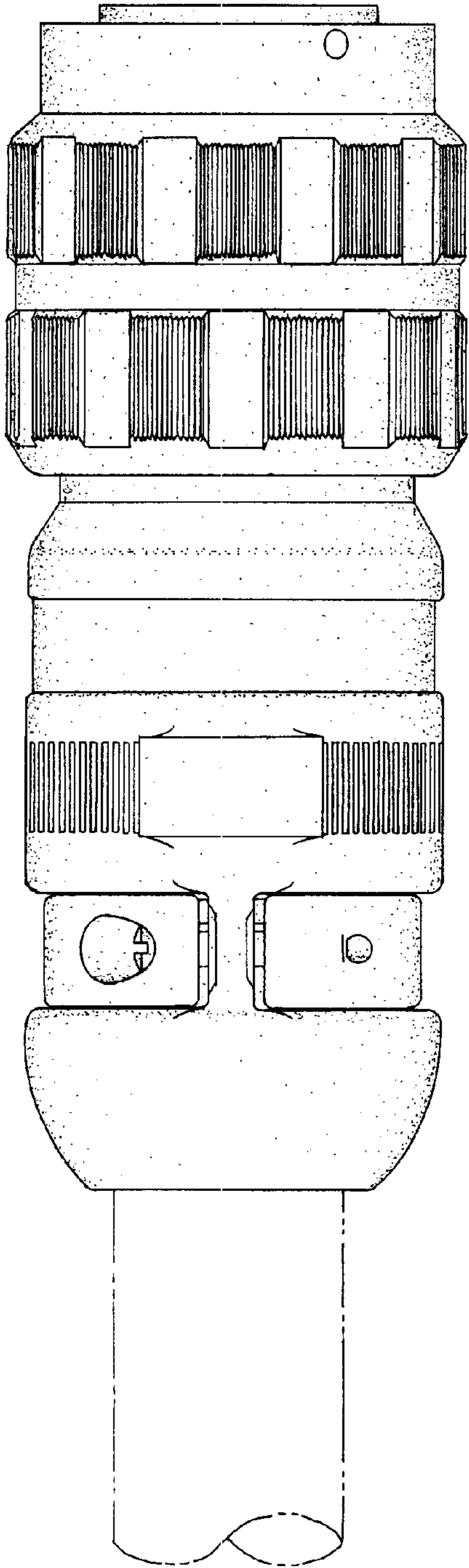


FIG. 2

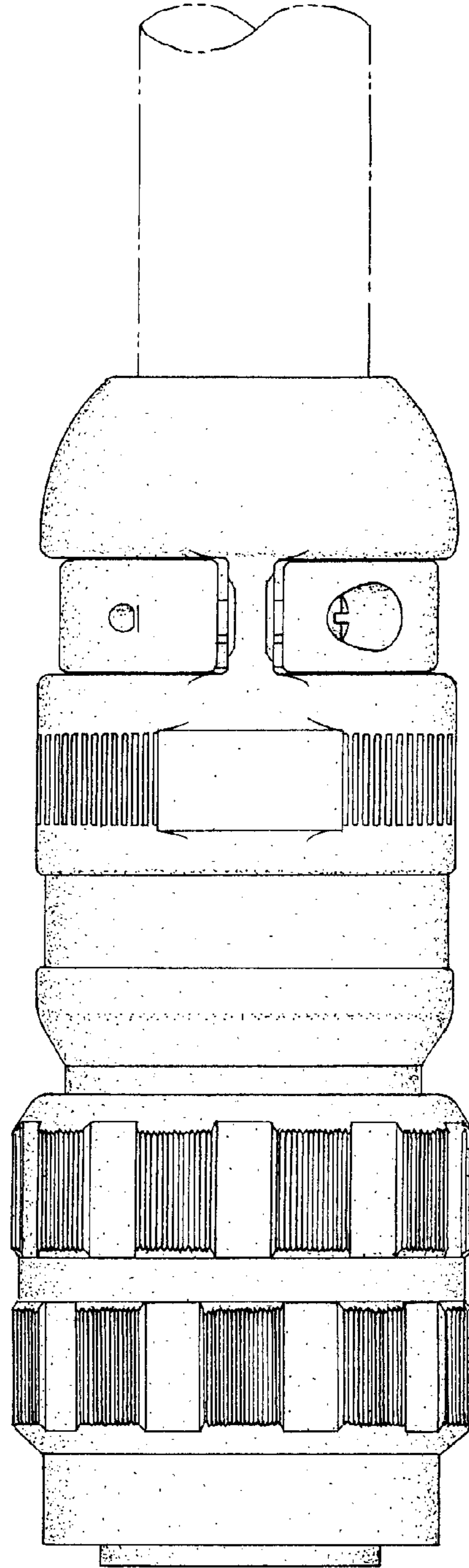


FIG. 3

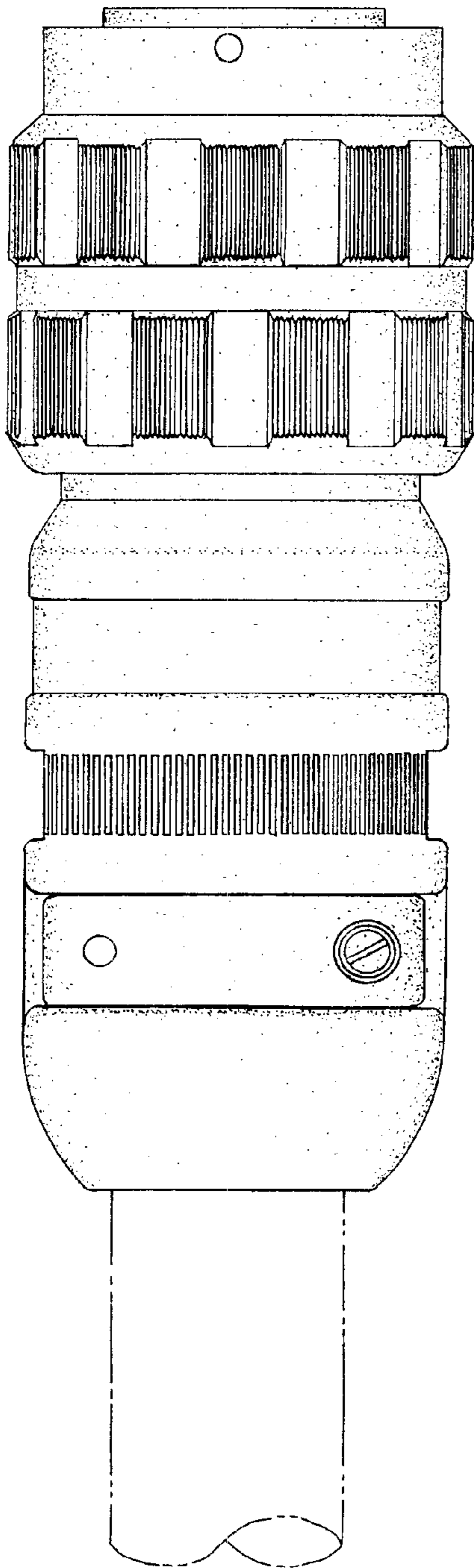


FIG. 4

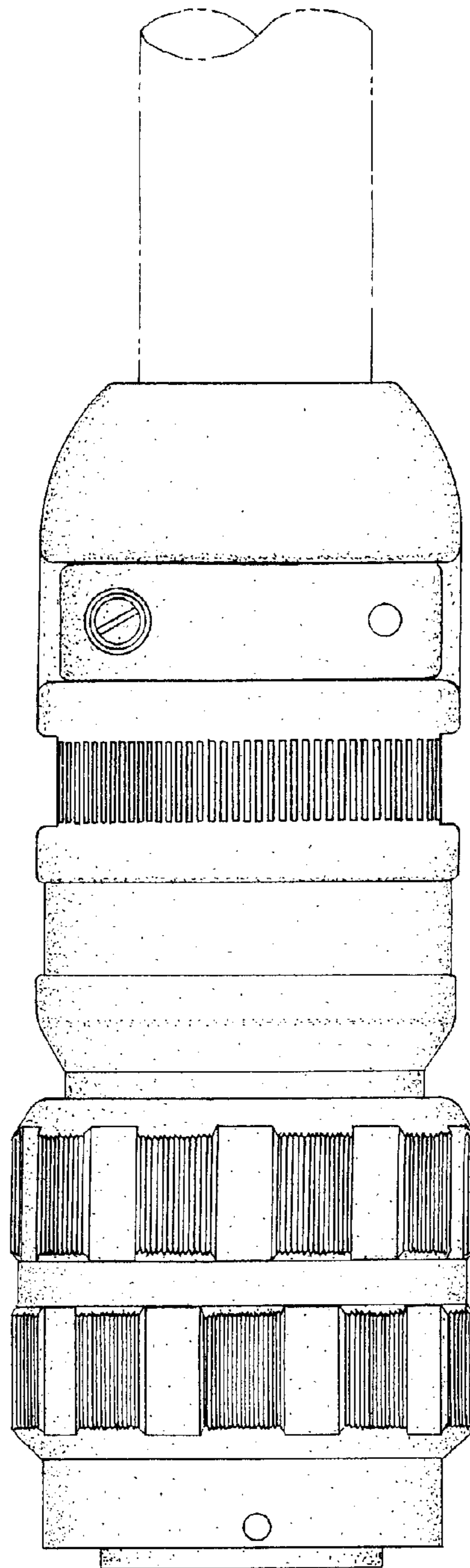


FIG. 5

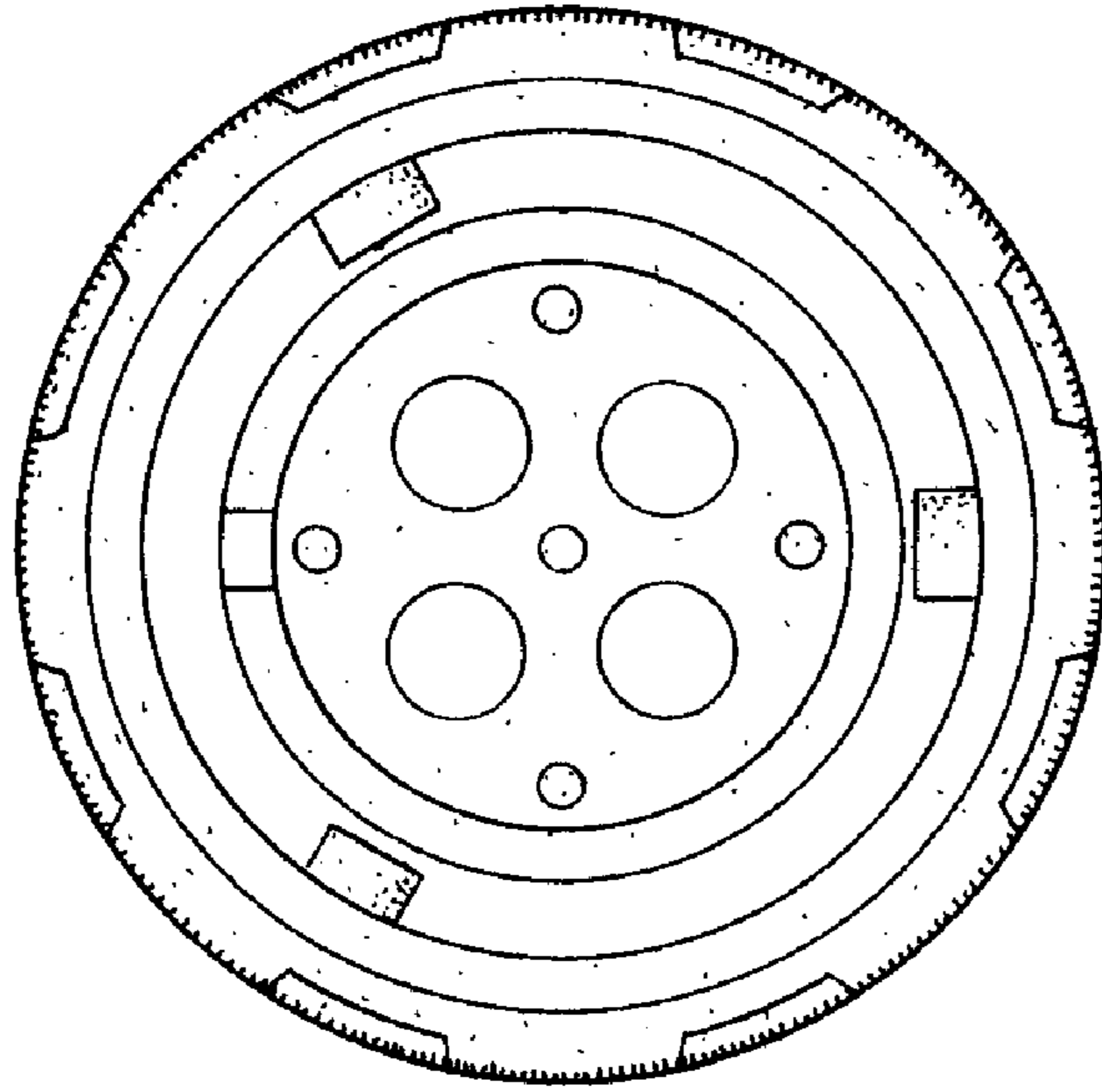


FIG. 7

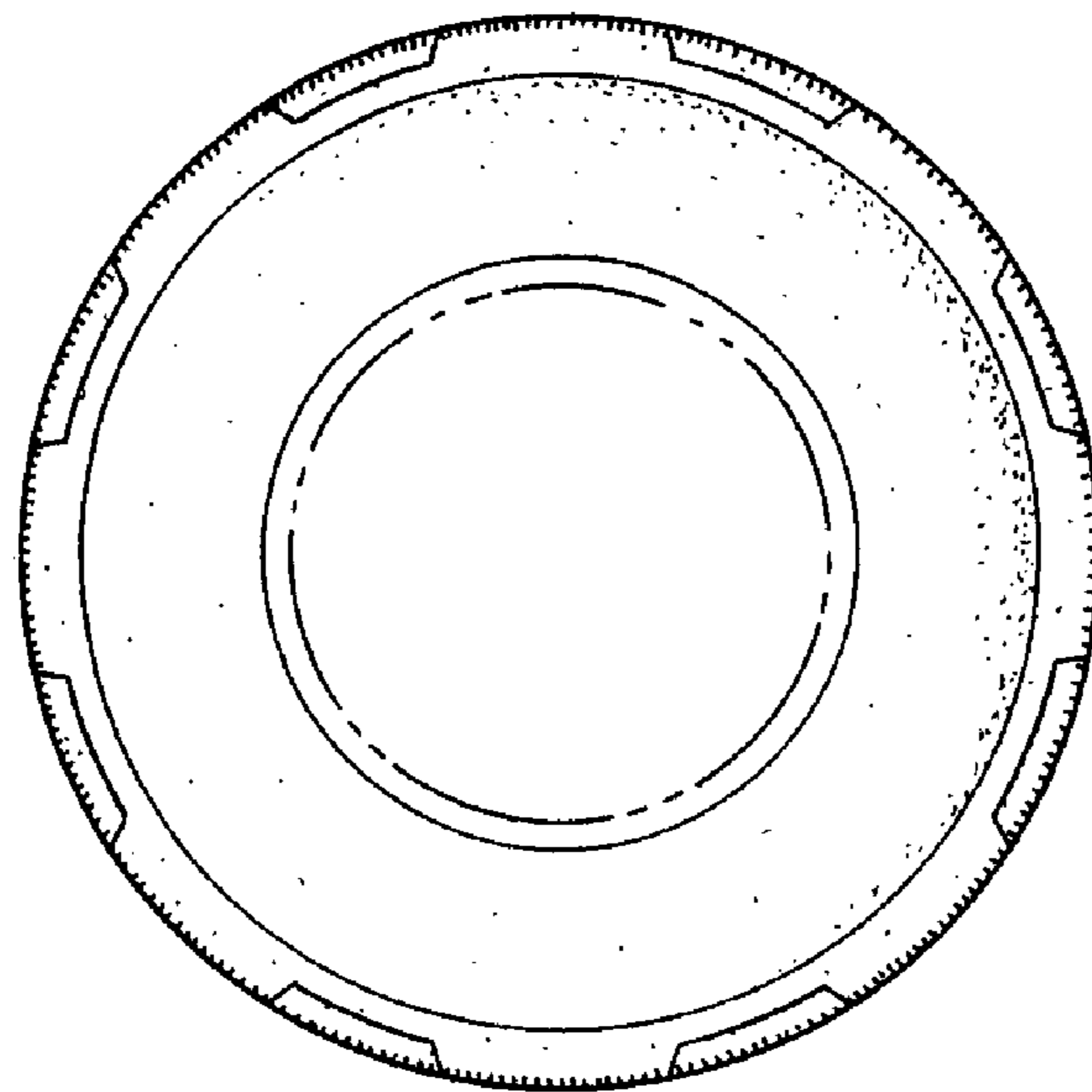


FIG. 6

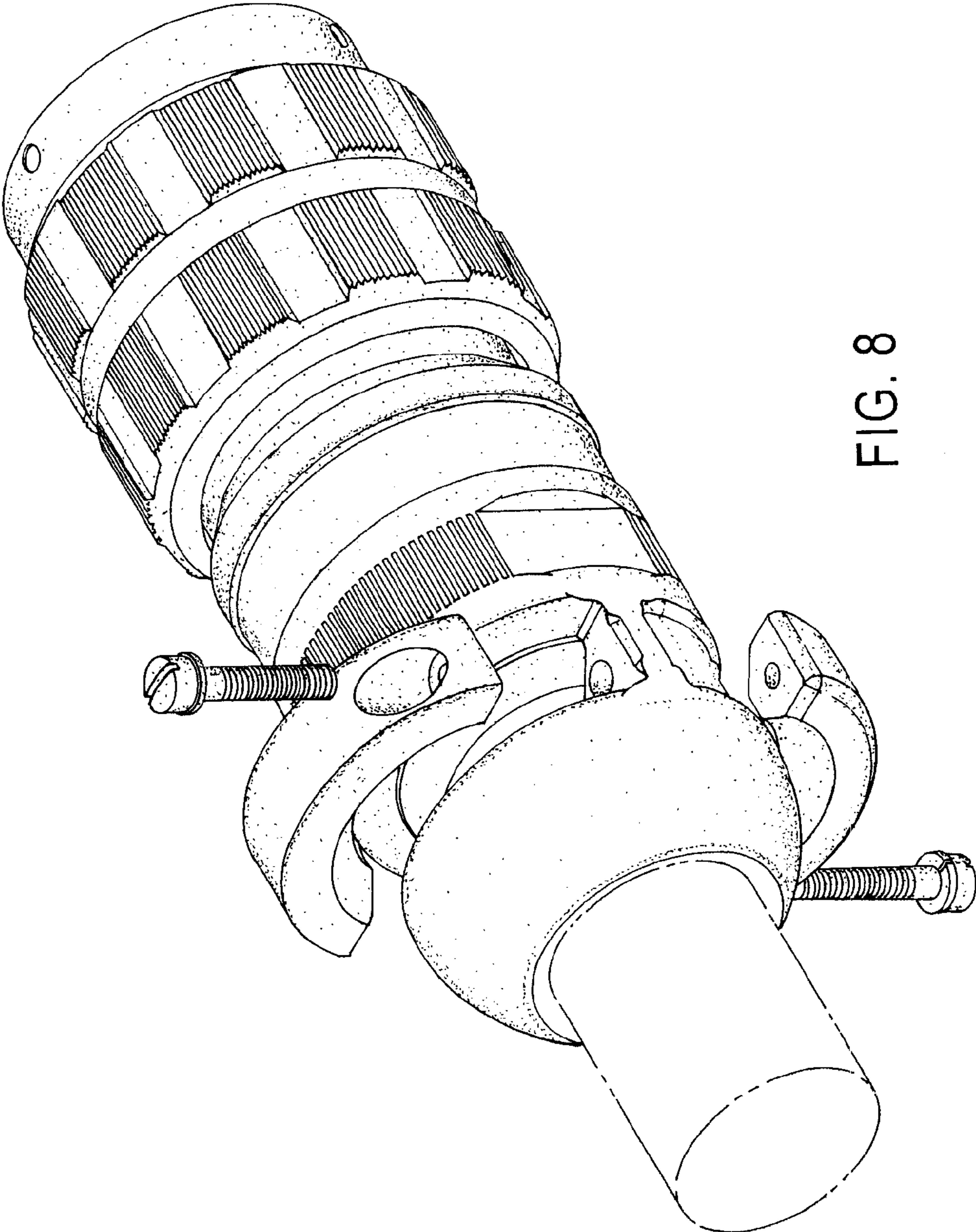


FIG. 8