

US00D531575S

(12) **United States Design Patent**
Yamada

(10) **Patent No.:** **US D531,575 S**

(45) **Date of Patent:** **** Nov. 7, 2006**

(54) **BATTERY**

(75) Inventor: **Yoshinori Yamada**, Tokyo (JP)

(73) Assignee: **Sony Corporation**, Tokyo (JP)

(**) Term: **14 Years**

(21) Appl. No.: **29/242,110**

(22) Filed: **Nov. 7, 2005**

(30) **Foreign Application Priority Data**

Jun. 23, 2005 (JP) 2005-018303

(51) **LOC (8) Cl.** **13-02**

(52) **U.S. Cl.** **D13/103**

(58) **Field of Classification Search** D13/103-106,
D13/110, 118-119, 184; 429/96-100, 163,
429/176

See application file for complete search history.

(56) **References Cited**

U.S. PATENT DOCUMENTS

D329,634 S	*	9/1992	Mizusugi et al.	D13/103
D405,755 S	*	2/1999	Arai et al.	D13/103
D415,466 S	*	10/1999	Kawa	D13/103
D425,015 S	*	5/2000	Iwamoto	D13/103
D431,227 S		9/2000	Ogasawara	
D431,808 S	*	10/2000	Ogasawara	D13/103
D448,003 S	*	9/2001	Ogasawara	D13/103
D461,163 S	*	8/2002	Hirano et al.	D13/103
D476,949 S	*	7/2003	Wada	D13/103
D477,275 S		7/2003	Wada	
D480,048 S	*	9/2003	Jigamian	D13/103

D515,025 S	*	2/2006	Yokota	D13/103
D517,475 S	*	3/2006	Yokota	D13/103
D519,919 S	*	5/2006	Yokota	D13/103
D520,942 S	*	5/2006	Yokota	D13/103
D521,448 S	*	5/2006	Yokota	D13/103
D521,449 S	*	5/2006	Yokota	D13/103

OTHER PUBLICATIONS

Web page "VGP-BPS2" <http://www.ecat.sony.co.jp/vaio/acc/acc/cfm?pd=17108>, 1 sheet, Sony (Sep. 2005).

Web page "PCGA-BP2V" <http://www.ecat.sony.co.jp/vaio/acc/acc/cfm?pd=11070>, 1 sheet, Sony (Sep. 2005).

* cited by examiner

Primary Examiner—Alan P. Douglas

Assistant Examiner—Rosemary K. Tarcza

(74) *Attorney, Agent, or Firm*—Rader, Fishman & Grauer PLLC

(57) **CLAIM**

The ornamental design for a battery, as shown.

DESCRIPTION

FIG. 1 is a perspective view of a battery showing my new design;

FIG. 2 is a front elevational view thereof;

FIG. 3 is a rear elevational view thereof;

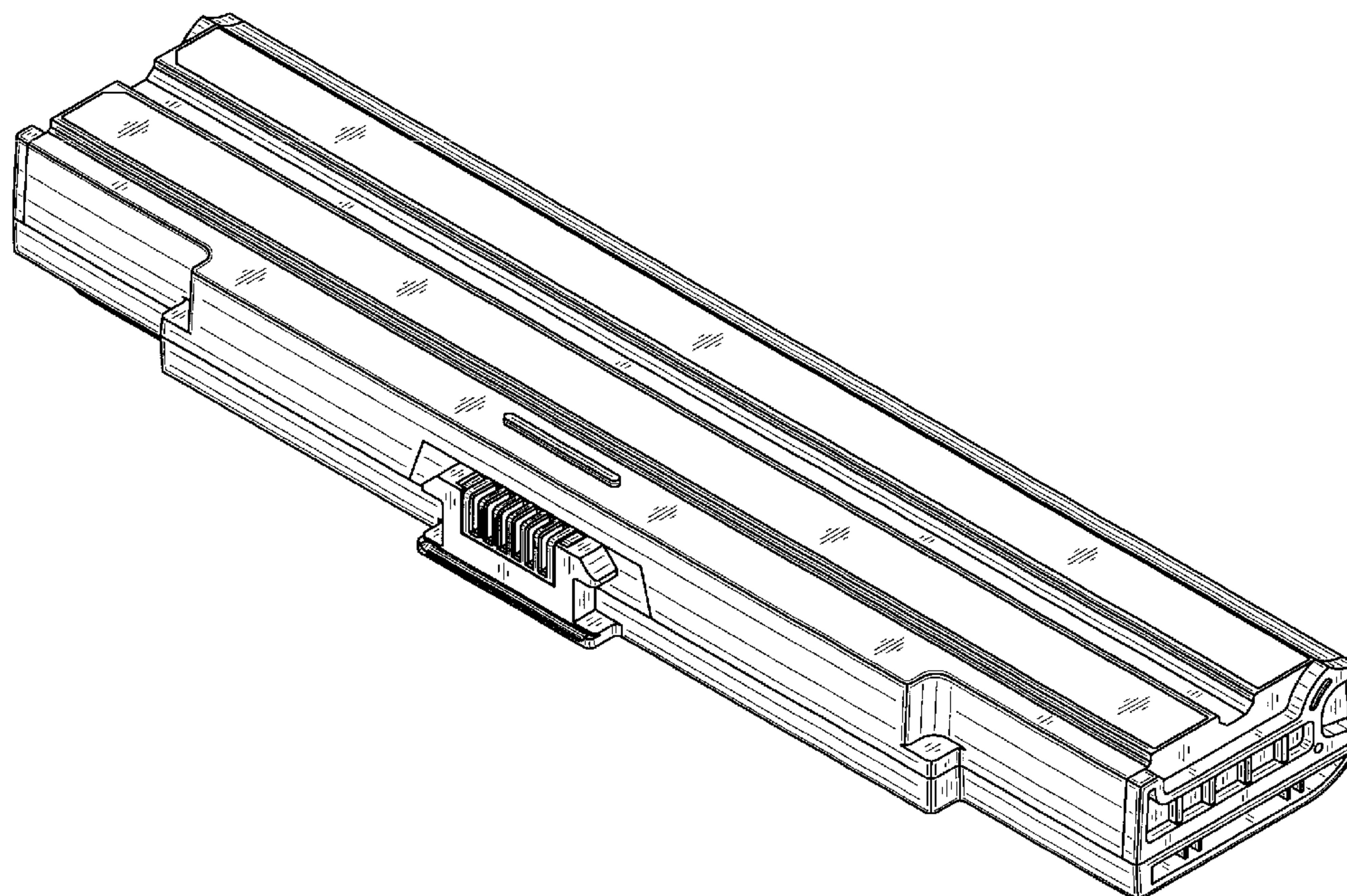
FIG. 4 is a left side elevational view thereof;

FIG. 5 is a right side elevational view thereof;

FIG. 6 is a top plan view thereof; and,

FIG. 7 is a bottom plan view thereof.

1 Claim, 7 Drawing Sheets



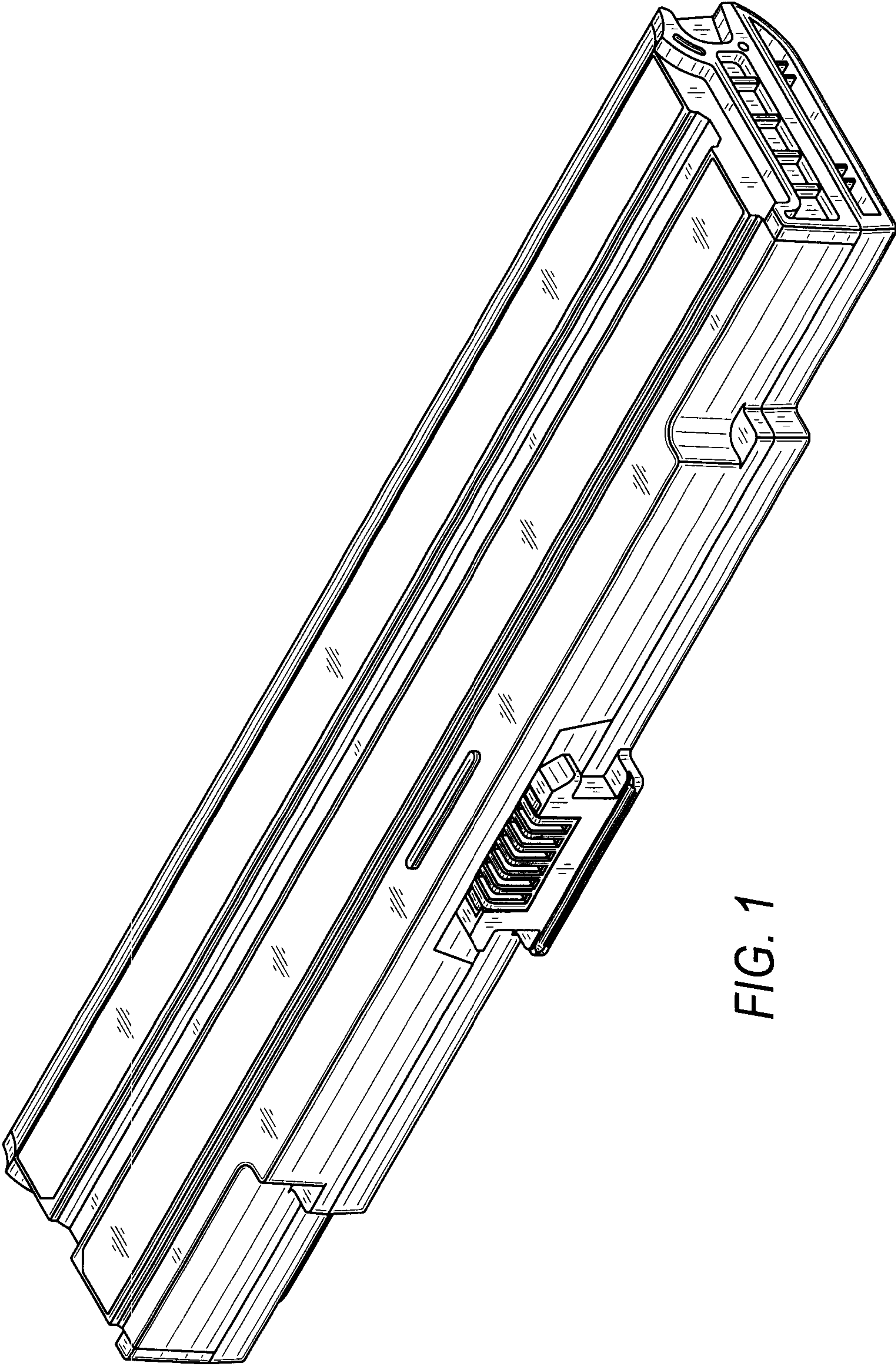


FIG. 1

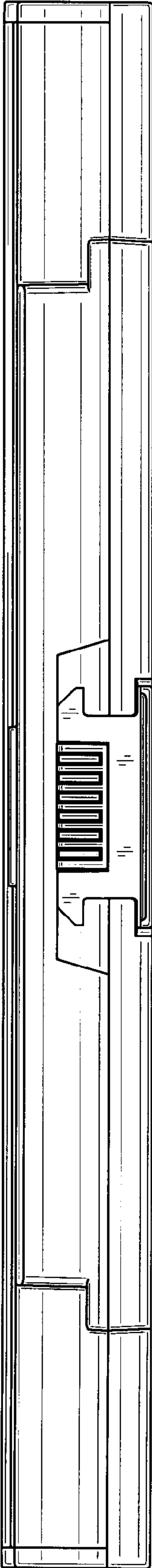


FIG. 2

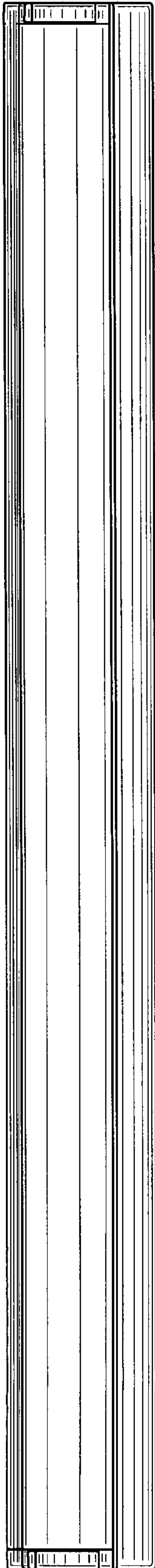


FIG. 3

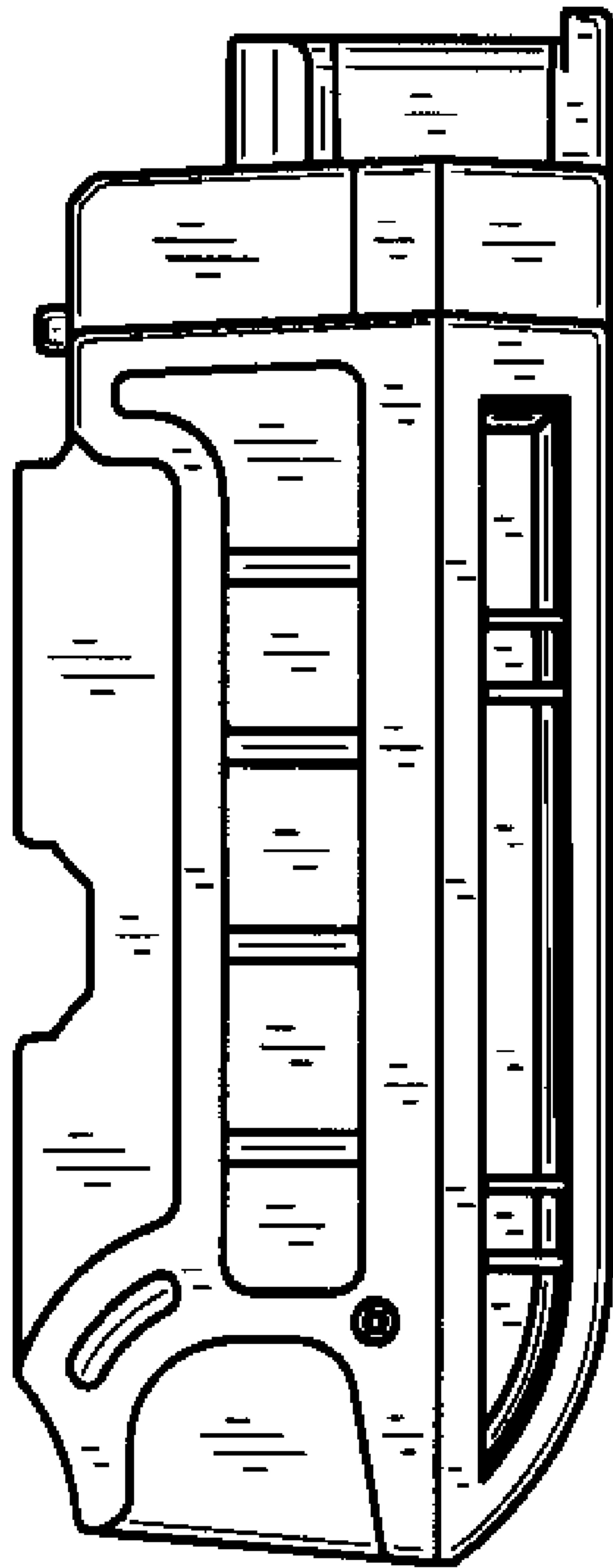


FIG. 4

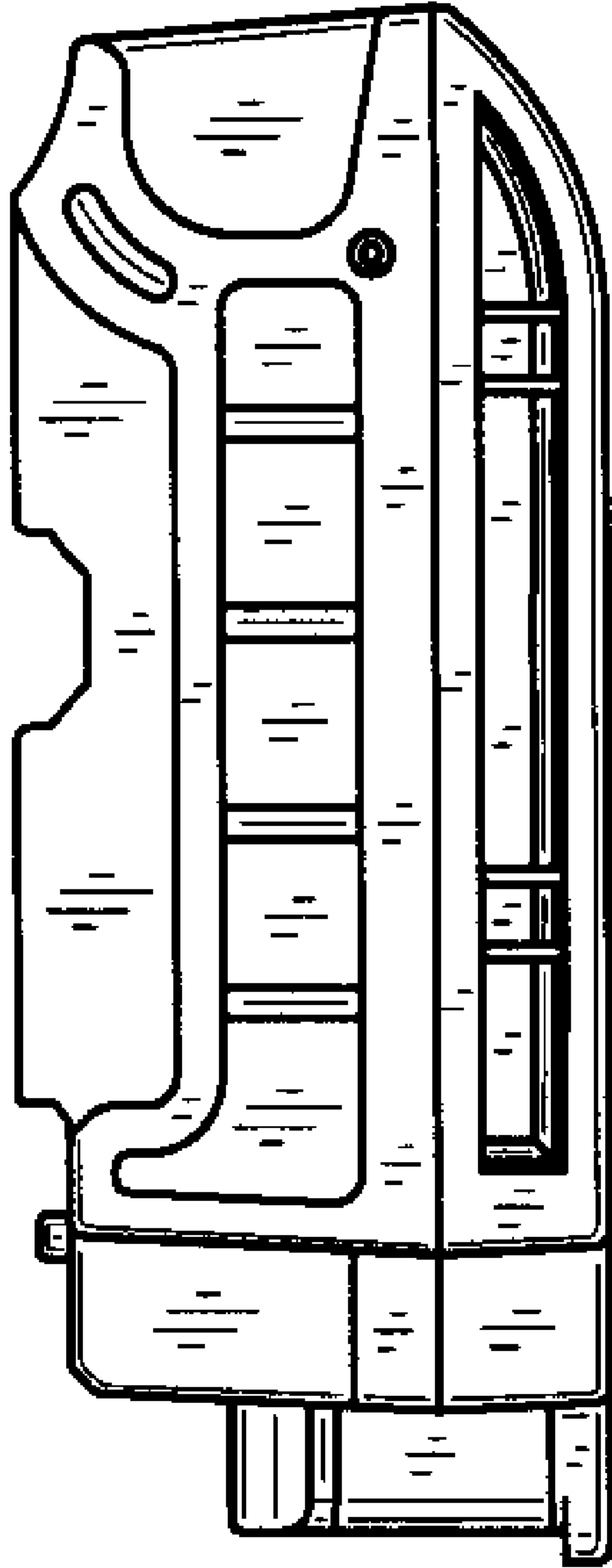


FIG. 5

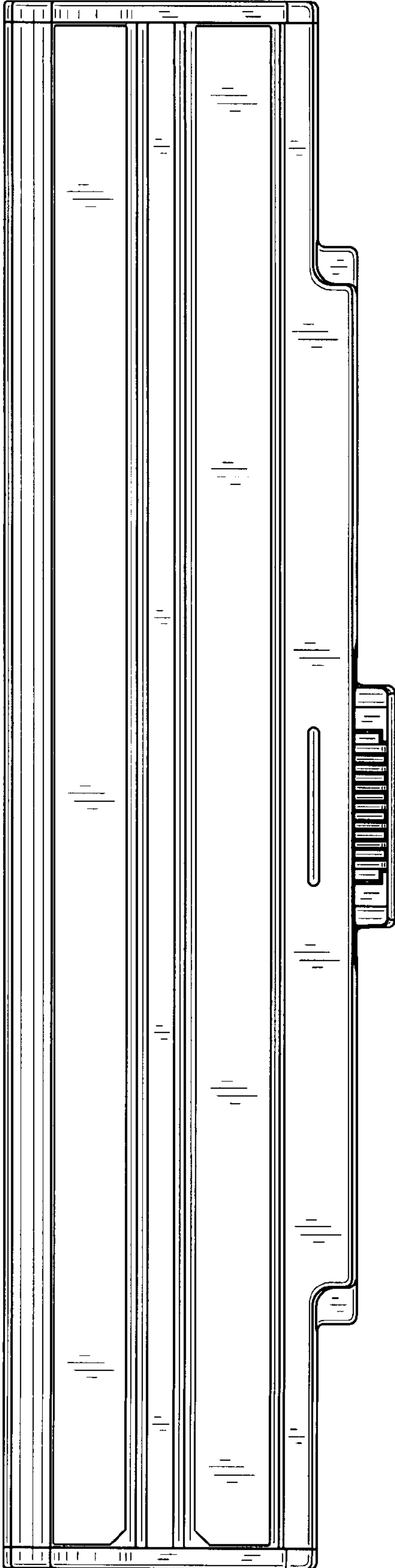


FIG. 6

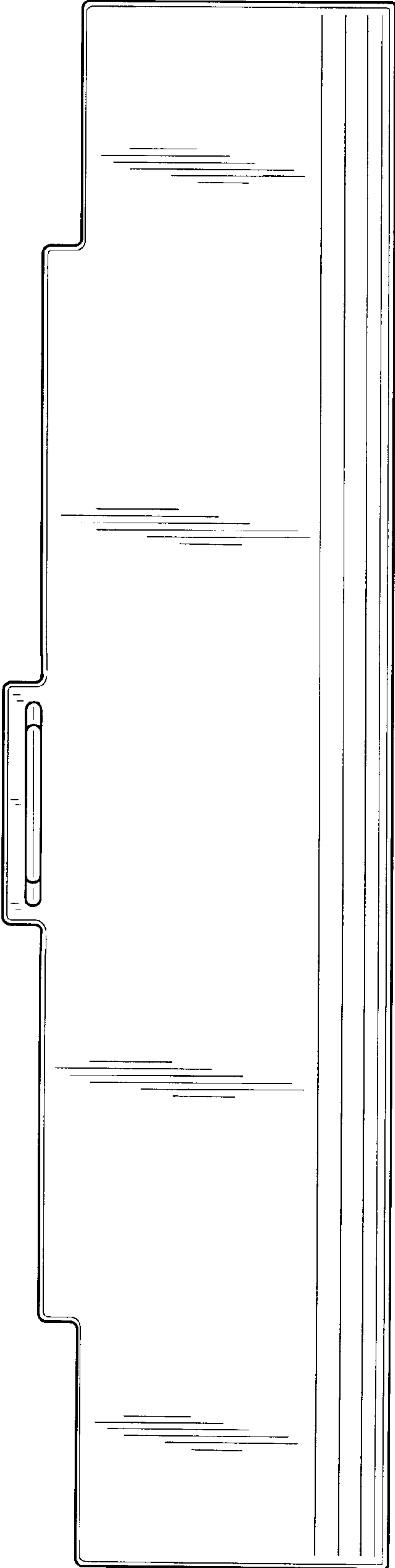


FIG. 7