



US00D531574S

(12) **United States Design Patent**  
**Yamada**

(10) **Patent No.:** **US D531,574 S**

(45) **Date of Patent:** **\*\* Nov. 7, 2006**

(54) **BATTERY**

(75) Inventor: **Yoshinori Yamada**, Tokyo (JP)

(73) Assignee: **Sony Corporation**, Tokyo (JP)

(\*\*) Term: **14 Years**

(21) Appl. No.: **29/242,109**

(22) Filed: **Nov. 7, 2005**

(30) **Foreign Application Priority Data**

Jun. 23, 2005 (JP) ..... 2005-018306

(51) **LOC (8) Cl.** ..... **13-02**

(52) **U.S. Cl.** ..... **D13/103**

(58) **Field of Classification Search** ..... D13/102-106,  
D13/110, 118-119, 184; 429/96-100, 163,  
429/176

See application file for complete search history.

(56) **References Cited**

**U.S. PATENT DOCUMENTS**

|            |   |         |                 |       |         |
|------------|---|---------|-----------------|-------|---------|
| D329,634 S | * | 9/1992  | Mizusugi et al. | ..... | D13/103 |
| D405,755 S | * | 2/1999  | Arai et al.     | ..... | D13/103 |
| D415,466 S | * | 10/1999 | Kawa            | ..... | D13/103 |
| D425,015 S | * | 5/2000  | Iwamoto         | ..... | D13/103 |
| D431,227 S |   | 9/2000  | Ogasawara       |       |         |
| D431,808 S | * | 10/2000 | Ogasawara       | ..... | D13/103 |
| D448,003 S | * | 9/2001  | Ogasawara       | ..... | D13/103 |
| D461,163 S | * | 8/2002  | Hirano et al.   | ..... | D13/103 |
| D476,949 S | * | 7/2003  | Wada            | ..... | D13/103 |
| D477,275 S |   | 7/2003  | Wada            |       |         |
| D480,048 S | * | 9/2003  | Jigamian        | ..... | D13/103 |

|            |   |        |        |       |         |
|------------|---|--------|--------|-------|---------|
| D515,025 S | * | 2/2006 | Yokota | ..... | D13/103 |
| D517,475 S | * | 3/2006 | Yokota | ..... | D13/103 |
| D519,919 S | * | 5/2006 | Yokota | ..... | D13/103 |
| D520,942 S | * | 5/2006 | Yokota | ..... | D13/103 |
| D521,448 S | * | 5/2006 | Yokota | ..... | D13/103 |
| D521,449 S | * | 5/2006 | Yokota | ..... | D13/103 |

**OTHER PUBLICATIONS**

Web page "VGP-BPL2" <http://www.ecat.sonyco.jp/vaio/acc/acc.cfm?pd=17109>, 1sheet, Sony (Sep. 2005).

Web page "PCGA-BP4V" <http://www.ecat.sony.co.jp/vaio/acc/acc.cfm?pd=11072>, 1 sheet, Sony (Sep. 2005).

\* cited by examiner

*Primary Examiner*—Alan P. Douglas

*Assistant Examiner*—Rosemary K. Tarcza

(74) *Attorney, Agent, or Firm*—Rader, Fishman & Grauer PLLC

(57) **CLAIM**

The ornamental design for a battery, as shown.

**DESCRIPTION**

FIG. 1 is a perspective view of a battery showing my new design;

FIG. 2 is a front elevational view thereof;

FIG. 3 is a rear elevational view thereof;

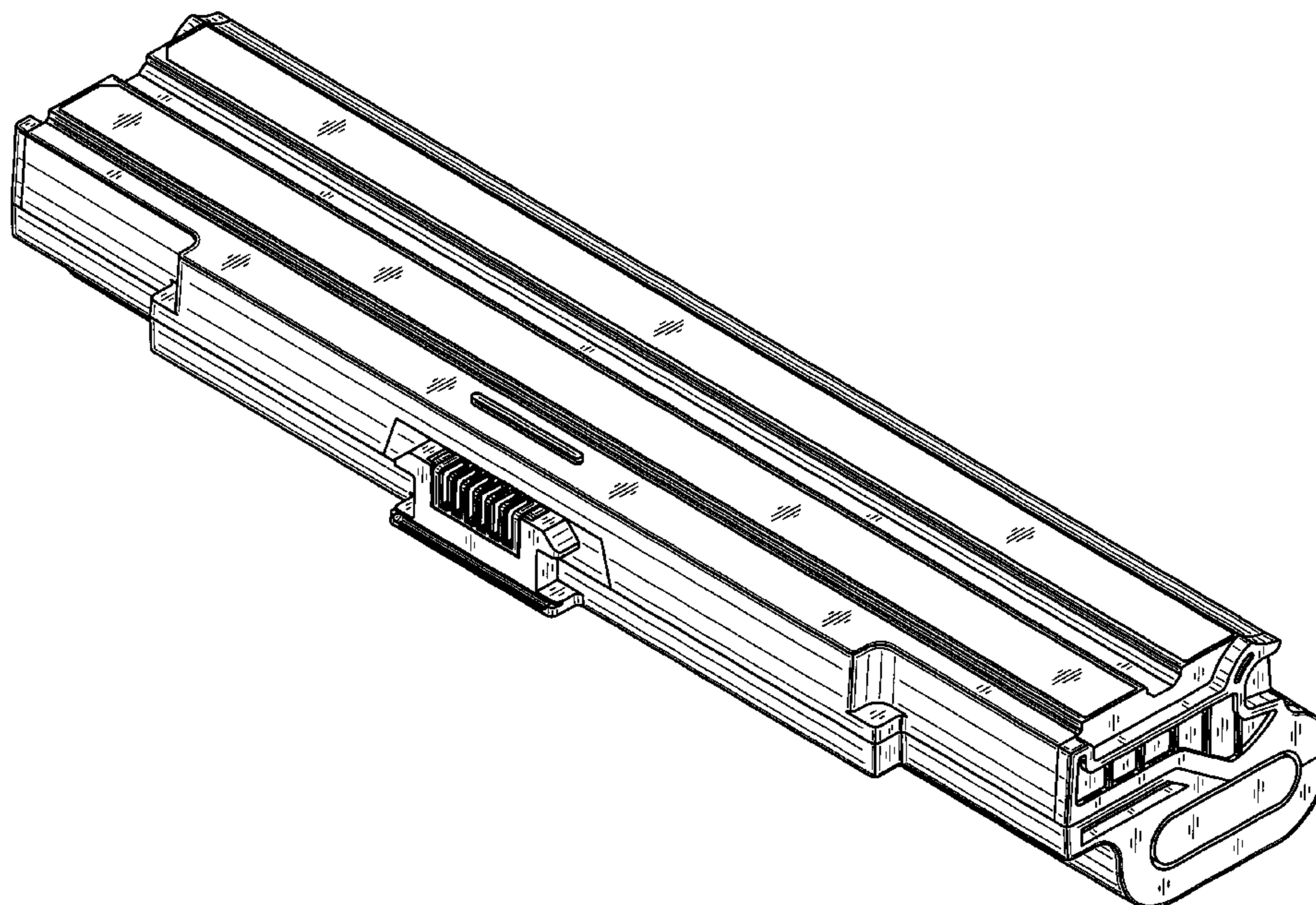
FIG. 4 is a left side elevational view thereof;

FIG. 5 is a right side elevational view thereof;

FIG. 6 is a top plan view thereof; and,

FIG. 7 is a bottom plan view thereof.

**1 Claim, 7 Drawing Sheets**



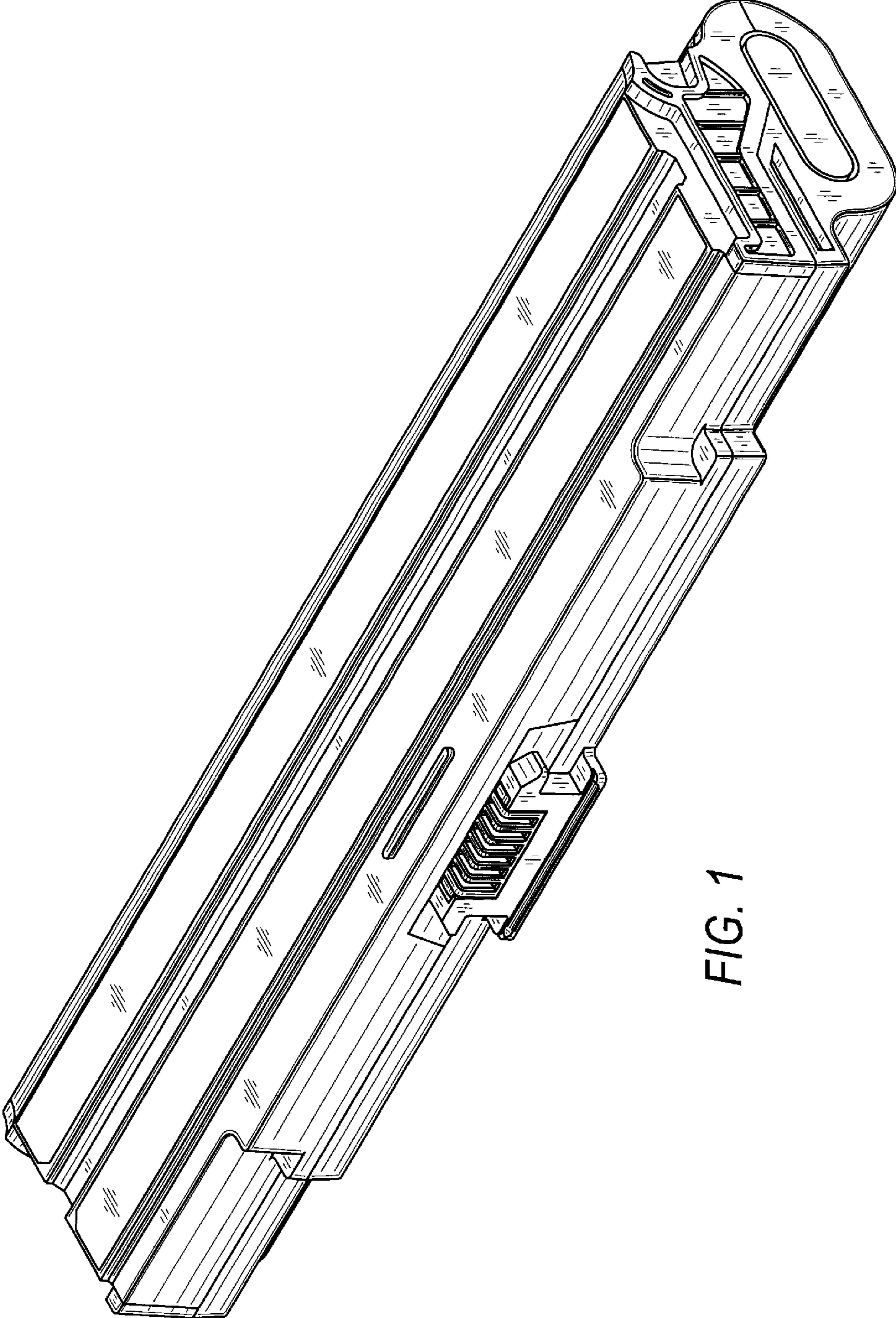


FIG. 1

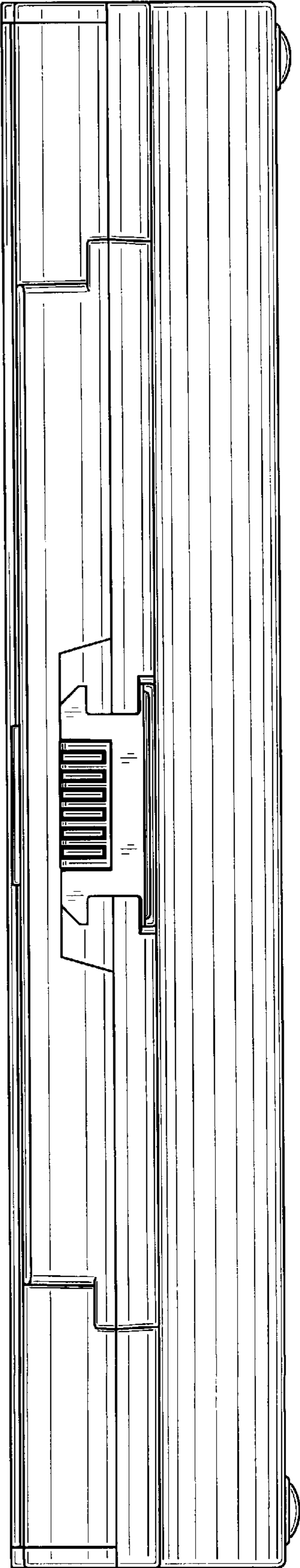


FIG. 2

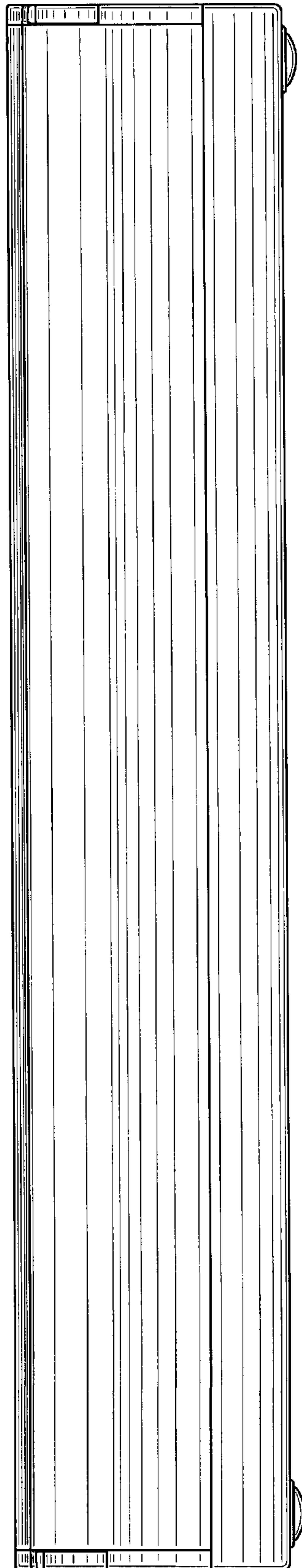


FIG. 3

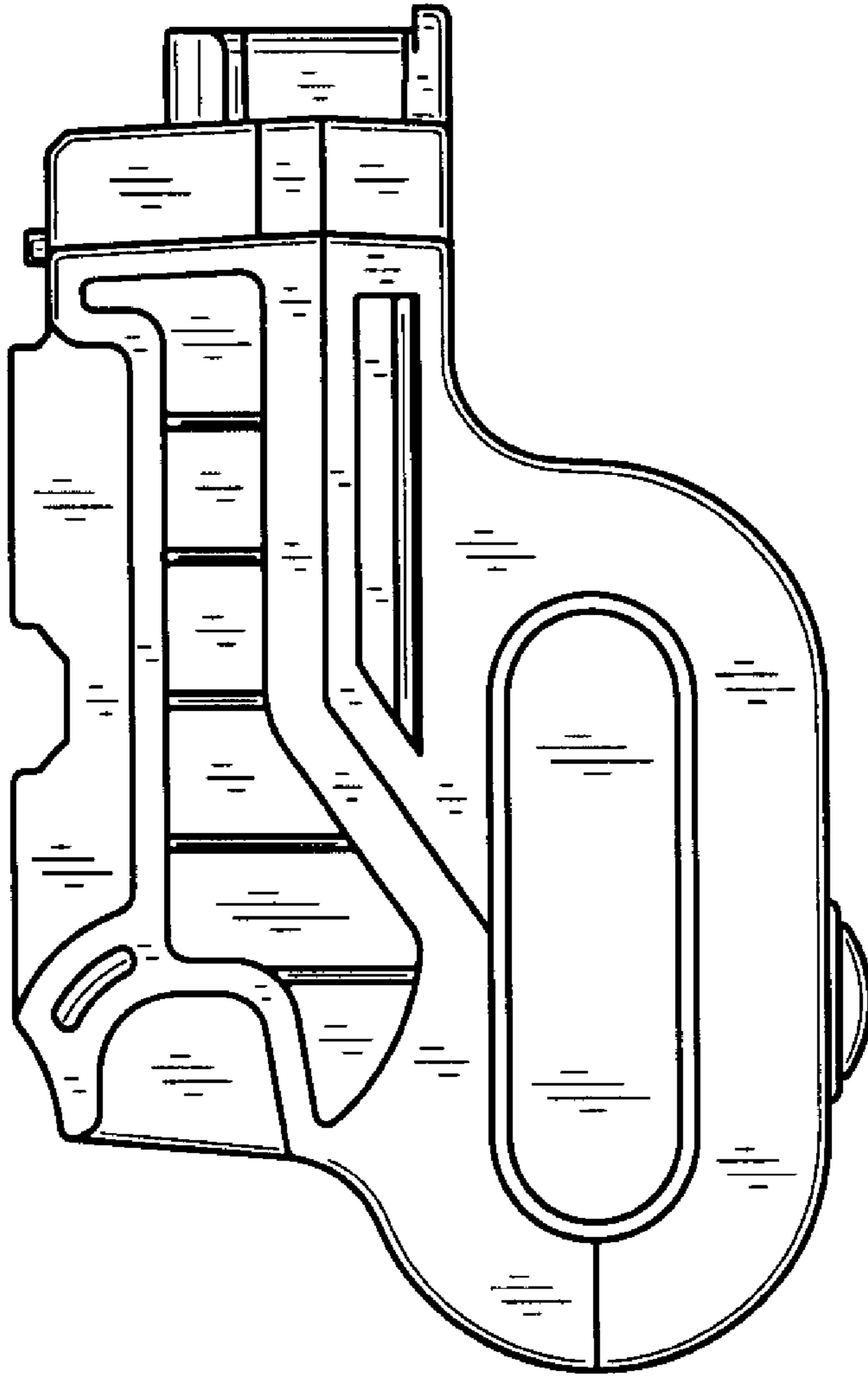


FIG. 4

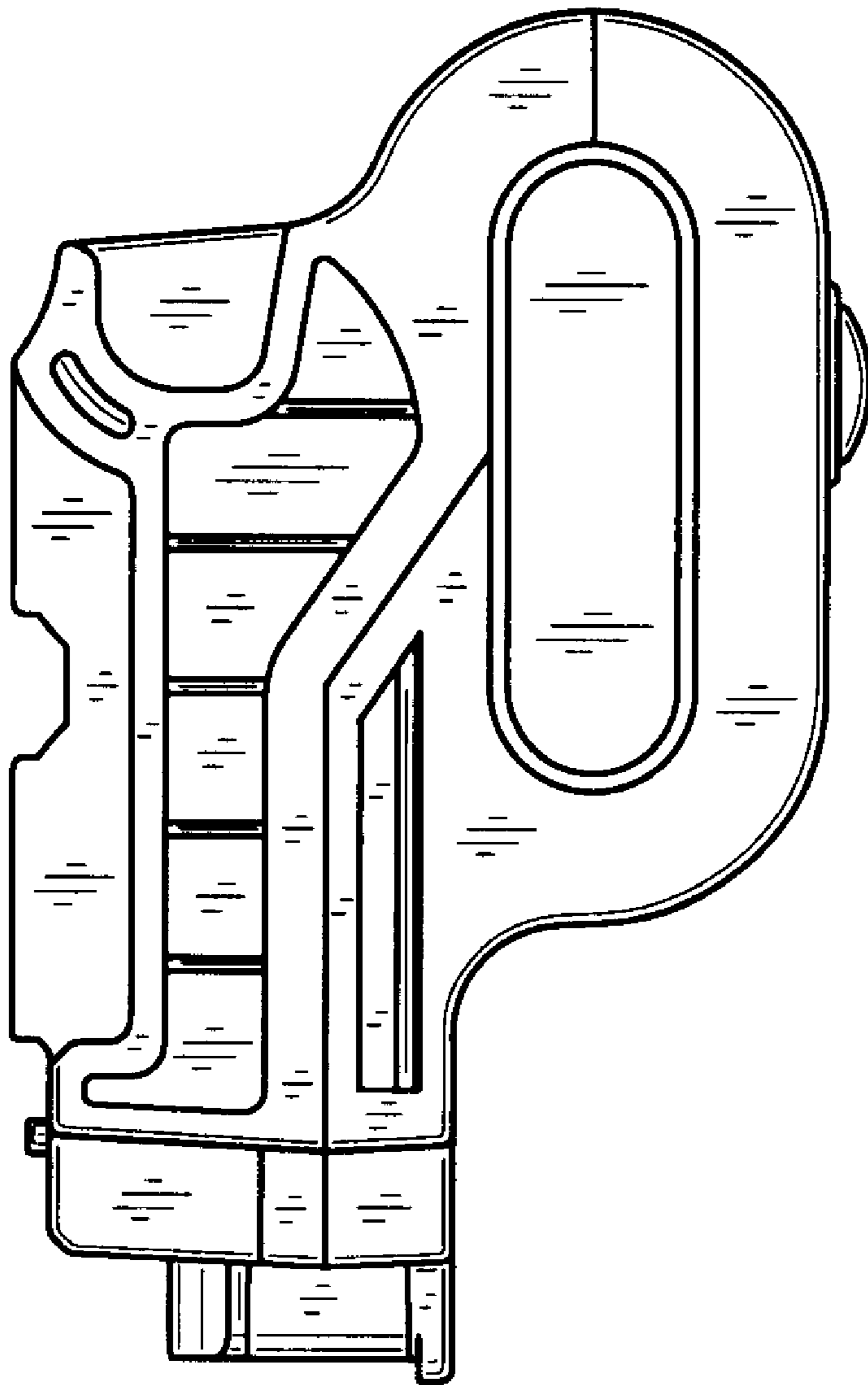


FIG. 5

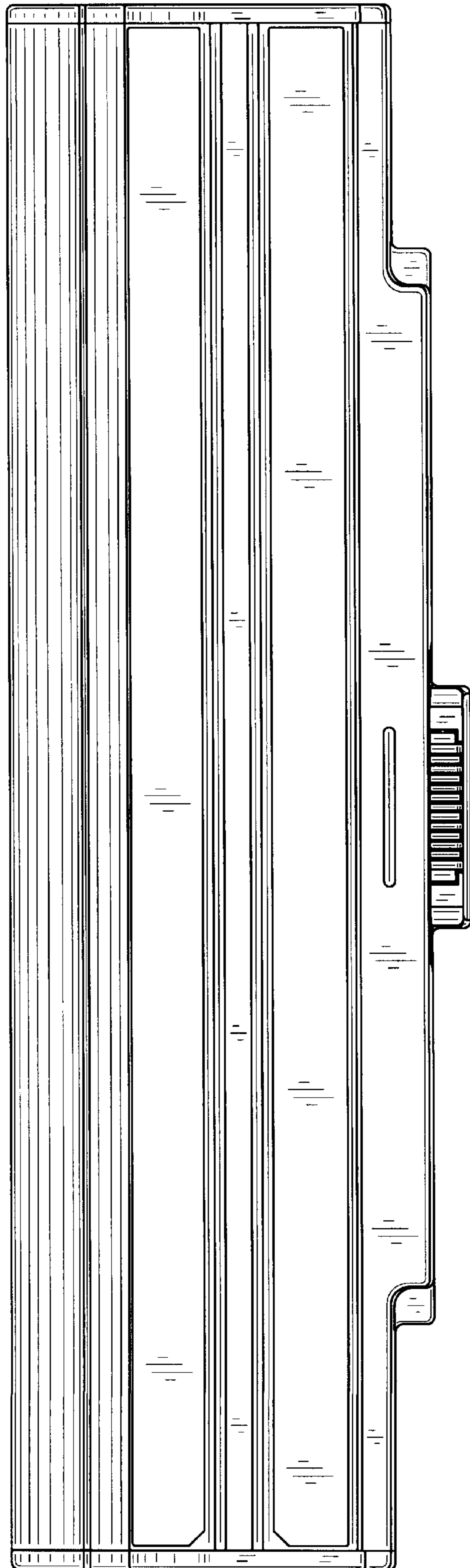


FIG. 6

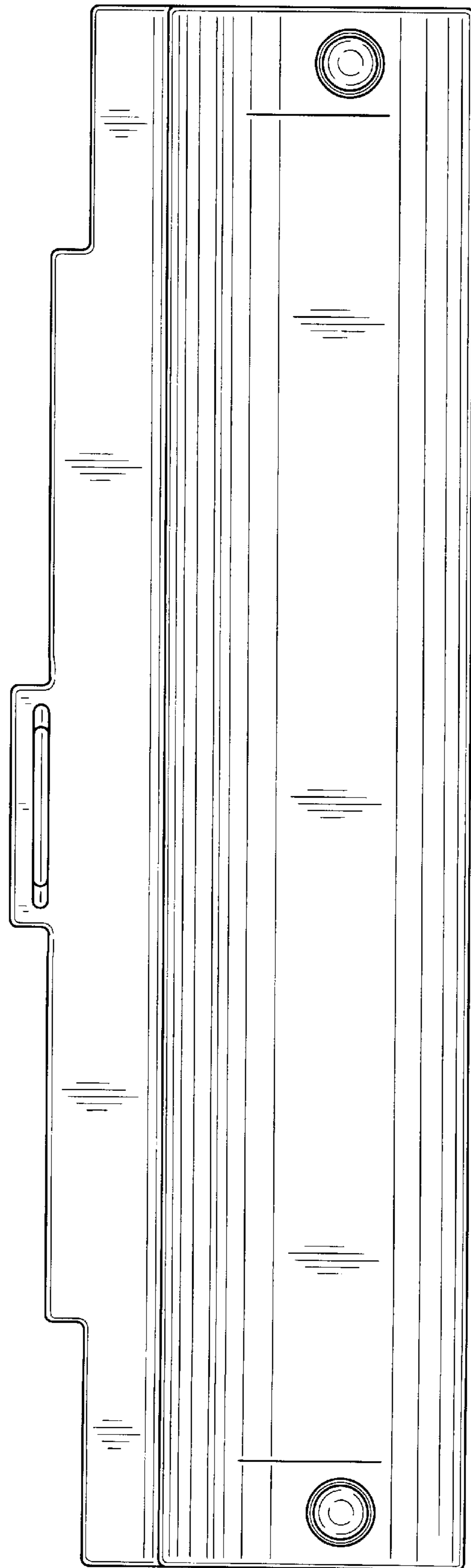


FIG. 7