



US00D531573S

(12) **United States Design Patent**  
**Bedont, Jr. et al.**

(10) **Patent No.: US D531,573 S**

(45) **Date of Patent: \*\* Nov. 7, 2006**

(54) **TIRE TREAD**

D391,202 S \* 2/1998 Baus ..... D12/548  
D394,032 S 5/1998 Maxwell ..... D12/147  
D409,959 S 5/1999 Maxwell ..... D12/147

(75) Inventors: **William James Bedont, Jr.**, Ravenna,  
OH (US); **Christopher Paul  
Johanning**, Wadsworth, OH (US);  
**David Alexander Farwell**, Mogadore,  
OH (US); **Paul Bryan Maxwell**, Kent,  
OH (US); **David Ray Auffenberg**,  
Wadsworth, OH (US)

\* cited by examiner

*Primary Examiner*—Robert M. Spear  
(74) *Attorney, Agent, or Firm*—Richard B. O’Planick

(73) Assignee: **The Goodyear Tire & Rubber  
Company**, Akron, OH (US)

(57) **CLAIM**

The ornamental design for a tire tread, as shown and  
described.

(\*\*) Term: **14 Years**

**DESCRIPTION**

(21) Appl. No.: **29/228,163**

FIG. 1 is a perspective view of a tire tread showing our new  
design, it being understood that the pattern repeats uni-  
formly throughout the circumference of the tread;  
FIG. 2 is a front elevational view thereof;  
FIG. 3 is a right side elevational view thereof; the opposite  
side elevational view being identical thereto; and,  
FIG. 4 is an enlarged fragmentary front elevational view  
thereof.

(22) Filed: **Apr. 20, 2005**

(51) **LOC (8) Cl.** ..... **12-15**

(52) **U.S. Cl.** ..... **D12/591; D12/600**

(58) **Field of Classification Search** ..... D12/534,  
D12/537, 551, 552, 553, 554, 555, 556, 586,  
D12/587, 588, 589, 590, 591, 900; 152/209.1,  
152/209.11, 209.13, 209.28

See application file for complete search history.

In the drawings, the broken lines defining the sidewall, inner  
bead and the peripheral boundary between the tire tread and  
the sidewall are for illustrative purposes only and form no  
part of the claimed design.

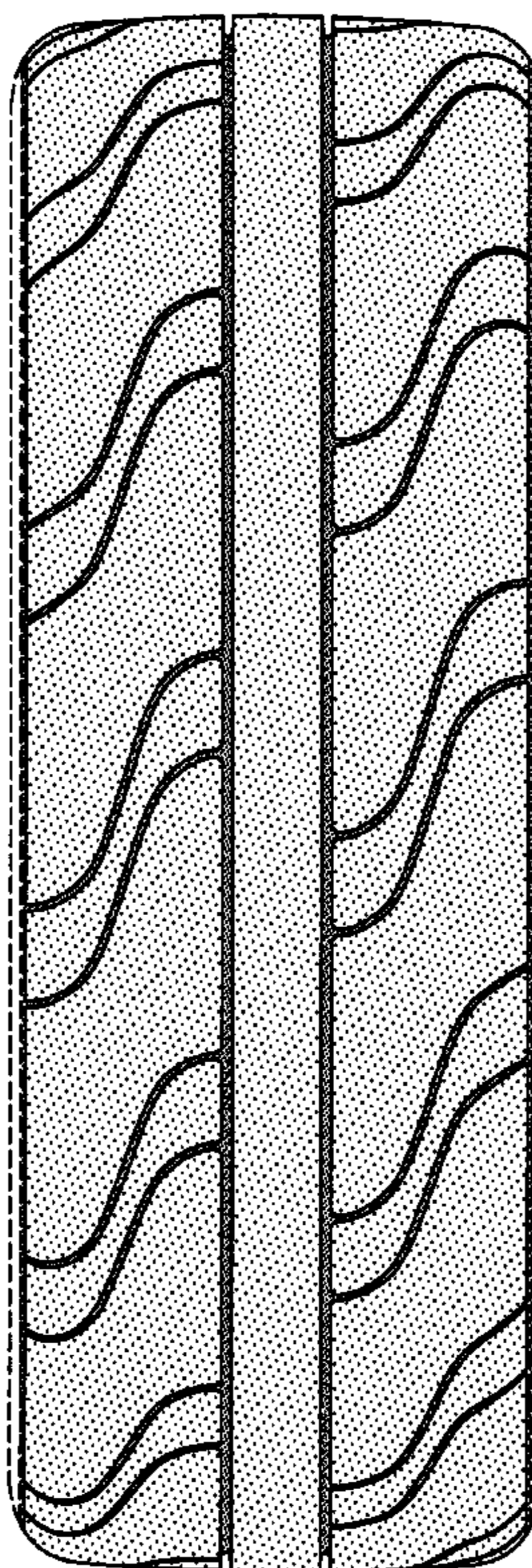
(56) **References Cited**

In the drawings, the dark stippled surface shading represents  
the recessed portion of the tread grooves, having the depth  
shown at the top and bottom of FIG. 2.

**U.S. PATENT DOCUMENTS**

D347,817 S 6/1994 Montag ..... D12/147  
D383,103 S 9/1997 Ratliff, Jr. .... D12/147

**1 Claim, 4 Drawing Sheets**



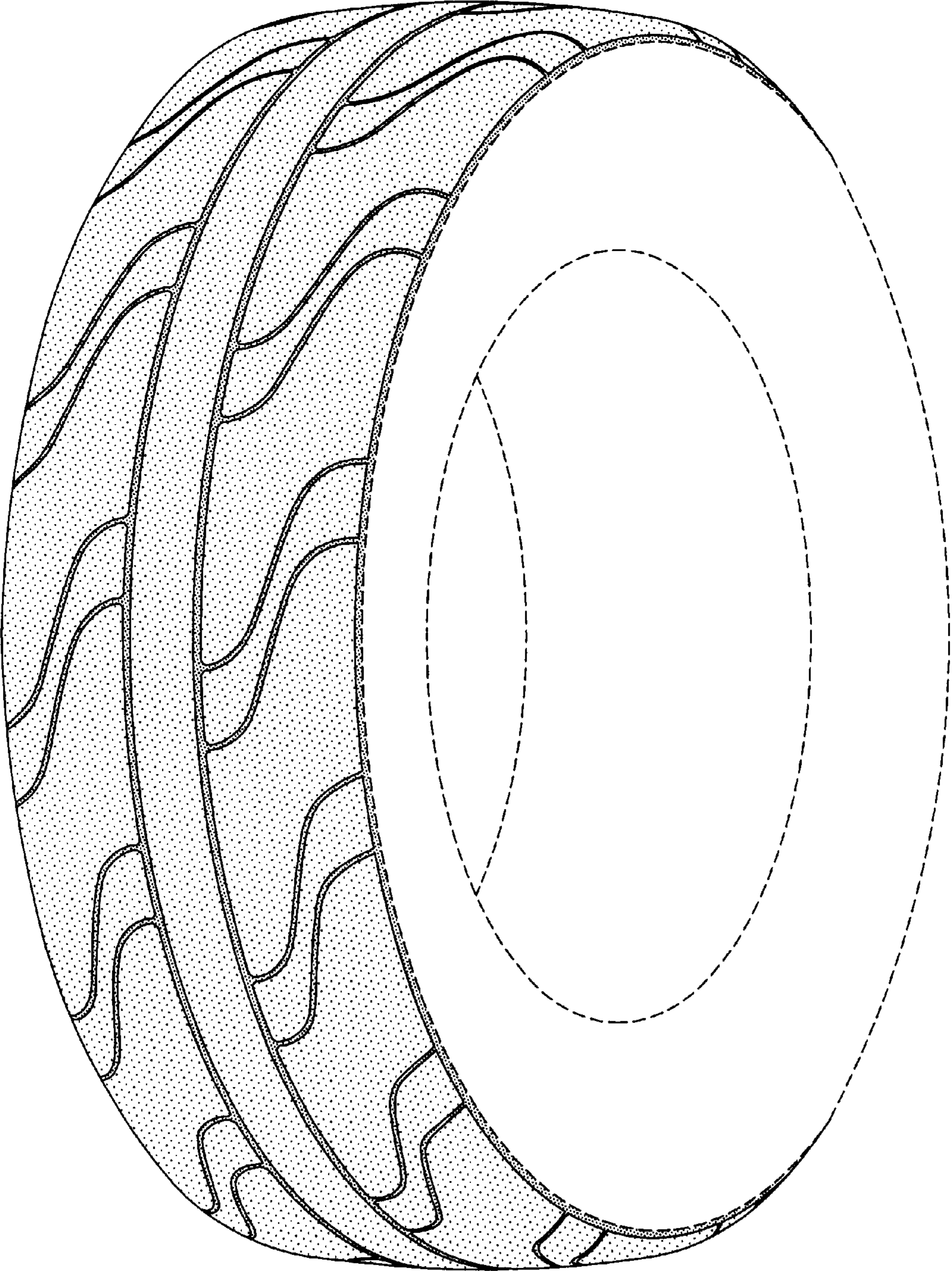


FIG-1

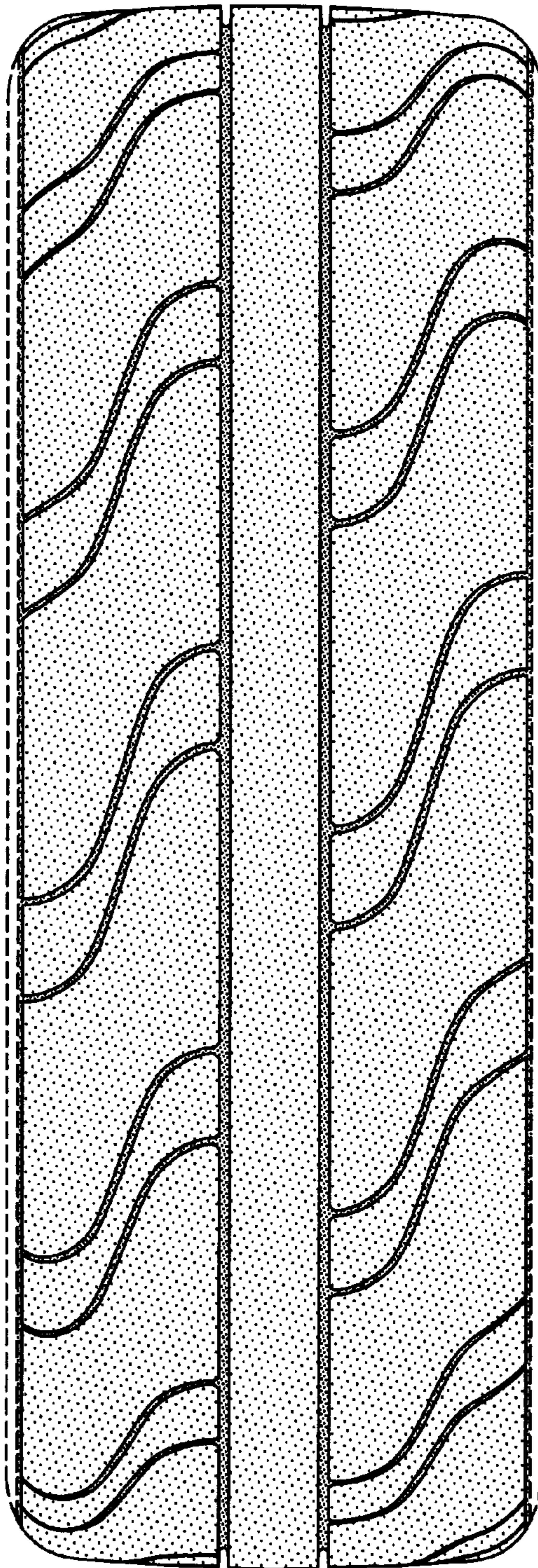


FIG-2

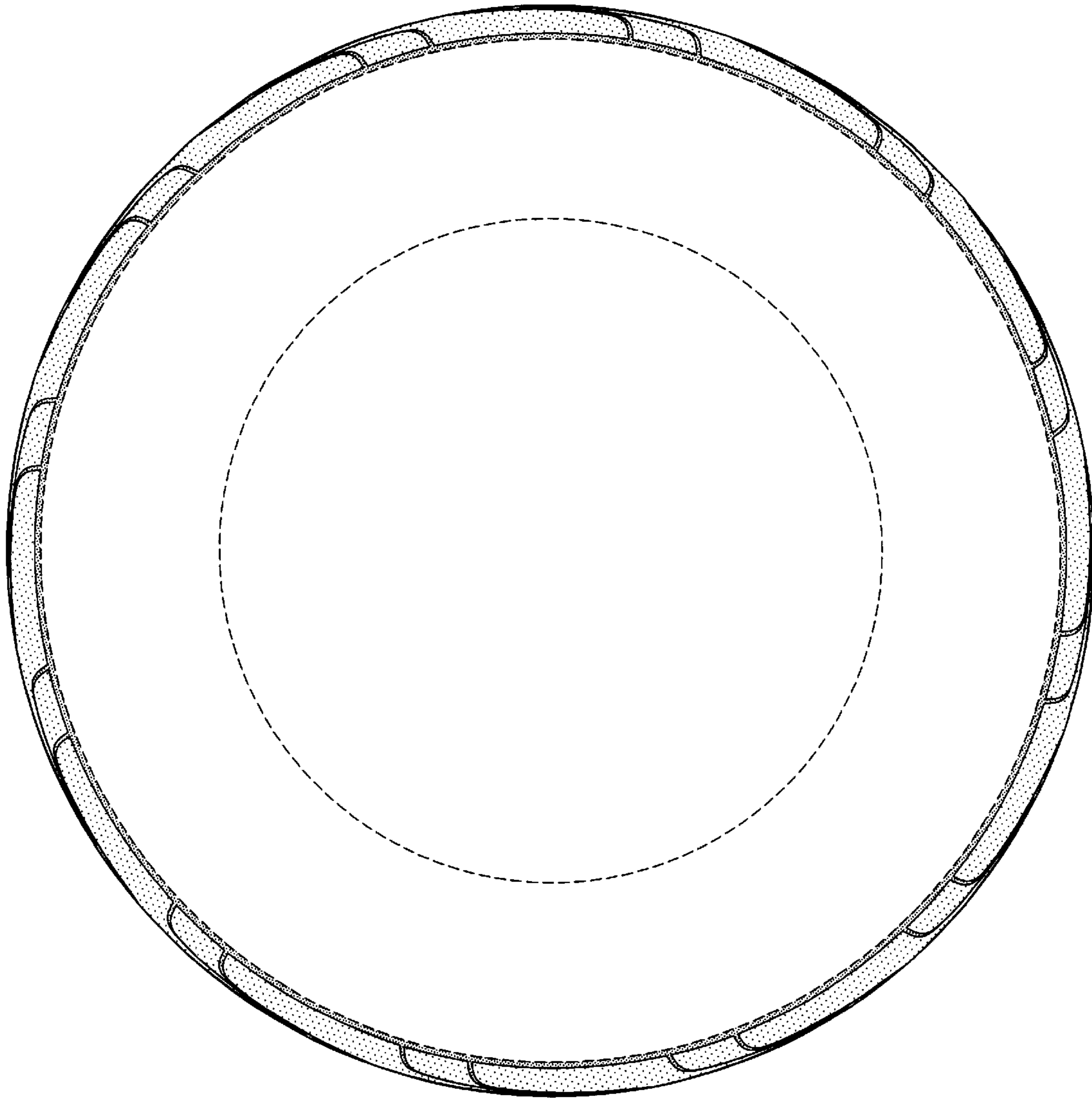


FIG-3

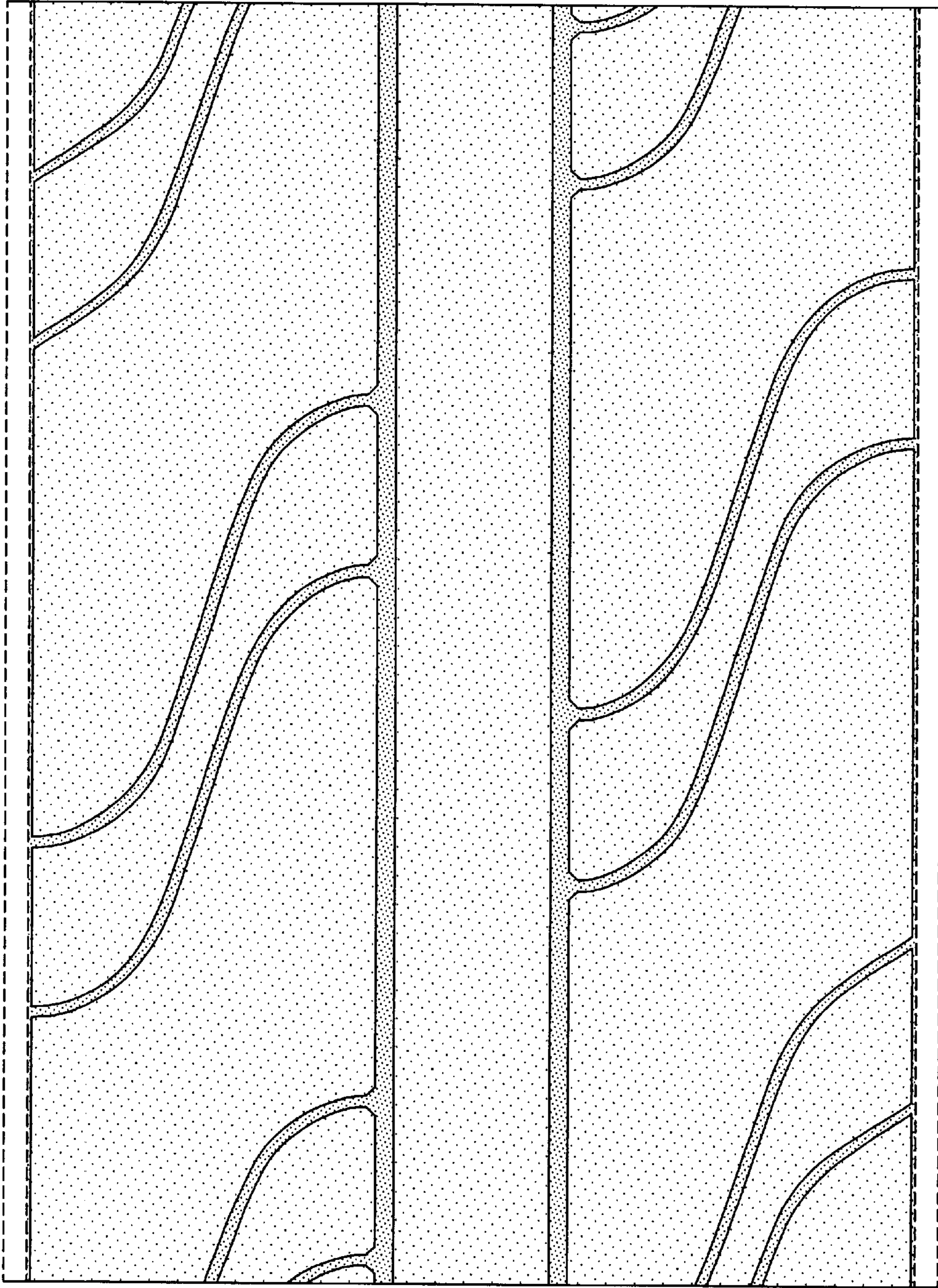


FIG-4