



US00D531562S

(12) **United States Design Patent**
Kim

(10) **Patent No.:** **US D531,562 S**

(45) **Date of Patent:** **** Nov. 7, 2006**

(54) **FRONT FACE OF A VEHICLE WHEEL**

(75) Inventor: **Gi Beom Kim**, Seoul (KR)

(73) Assignee: **Lion's Wheel Industrial Corp.**, Irvine, CA (US)

(**) Term: **14 Years**

(21) Appl. No.: **29/252,257**

(22) Filed: **Jan. 20, 2006**

(51) **LOC (8) Cl.** **12-16**

(52) **U.S. Cl.** **D12/209**

(58) **Field of Classification Search** D12/204-213;
301/37.101, 64.101, 65

See application file for complete search history.

(56) **References Cited**

U.S. PATENT DOCUMENTS

D471,500 S * 3/2003 Kataoka D12/209

D481,000 S * 10/2003 Wartono D12/209

D499,060 S * 11/2004 Cahyono D12/209

D505,102 S * 5/2005 Cahyono D12/209

D514,046 S * 1/2006 Ettensberger D12/209

D519,903 S * 5/2006 Ditty D12/209

* cited by examiner

Primary Examiner—Stacia Cadmus

(74) *Attorney, Agent, or Firm*—Blakely, Sokoloff, Taylor & Zafman LLP

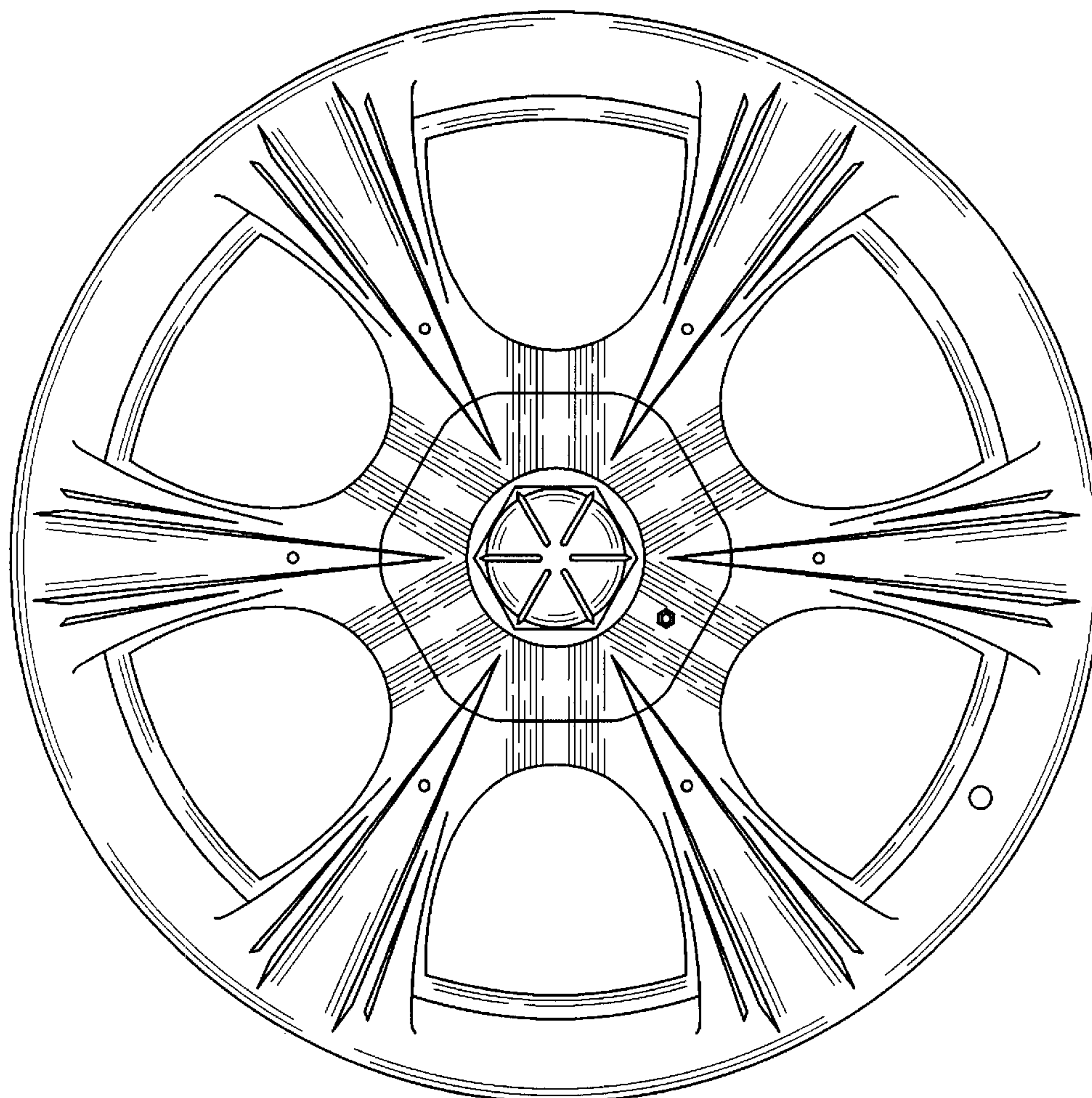
(57) **CLAIM**

The ornamental design for a front face of a vehicle wheel, as shown and described.

DESCRIPTION

FIG. 1 is a perspective view of a front face of a vehicle wheel showing my new design; and, FIG. 2 is a front view thereof.

1 Claim, 2 Drawing Sheets



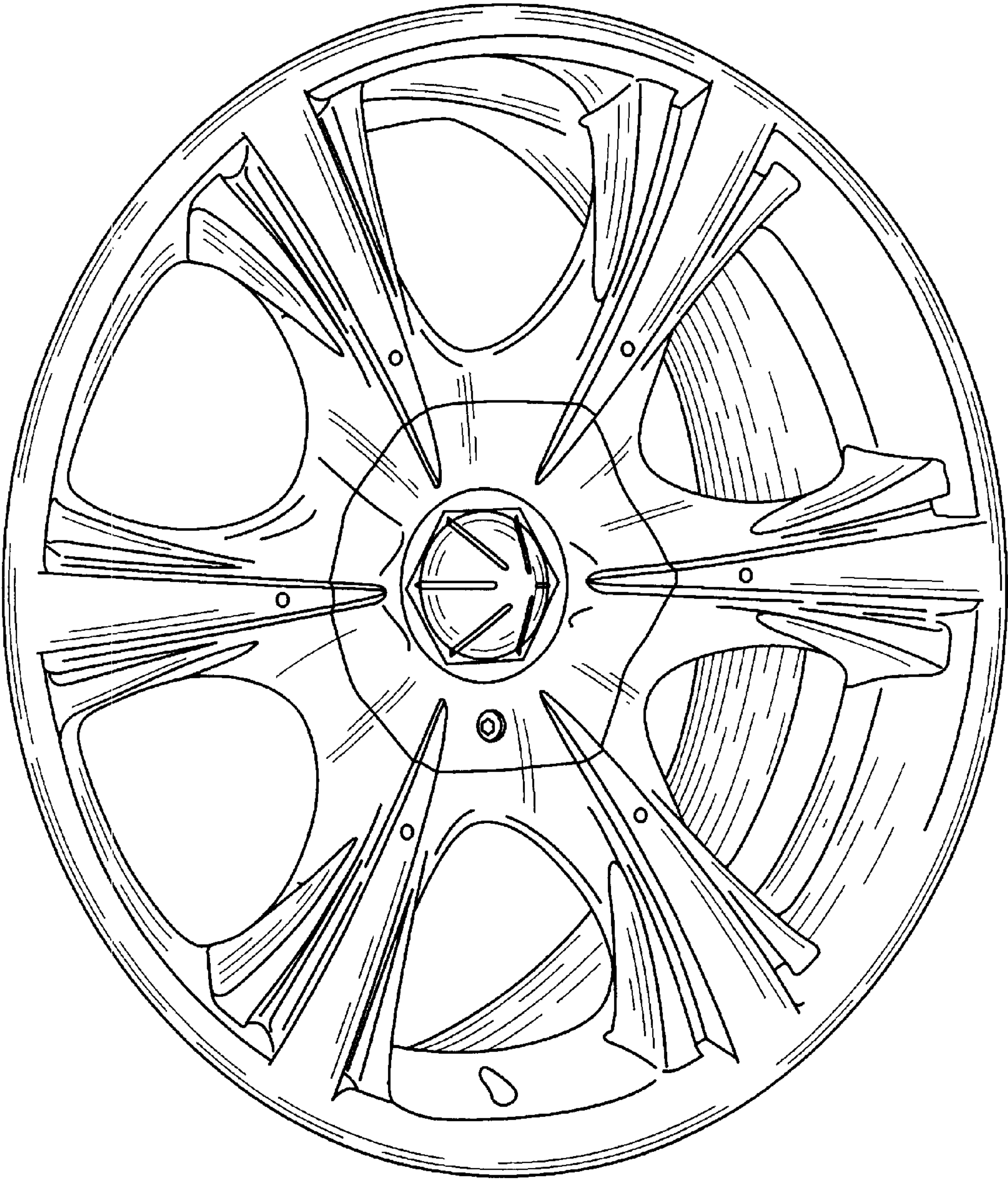


FIG. 1

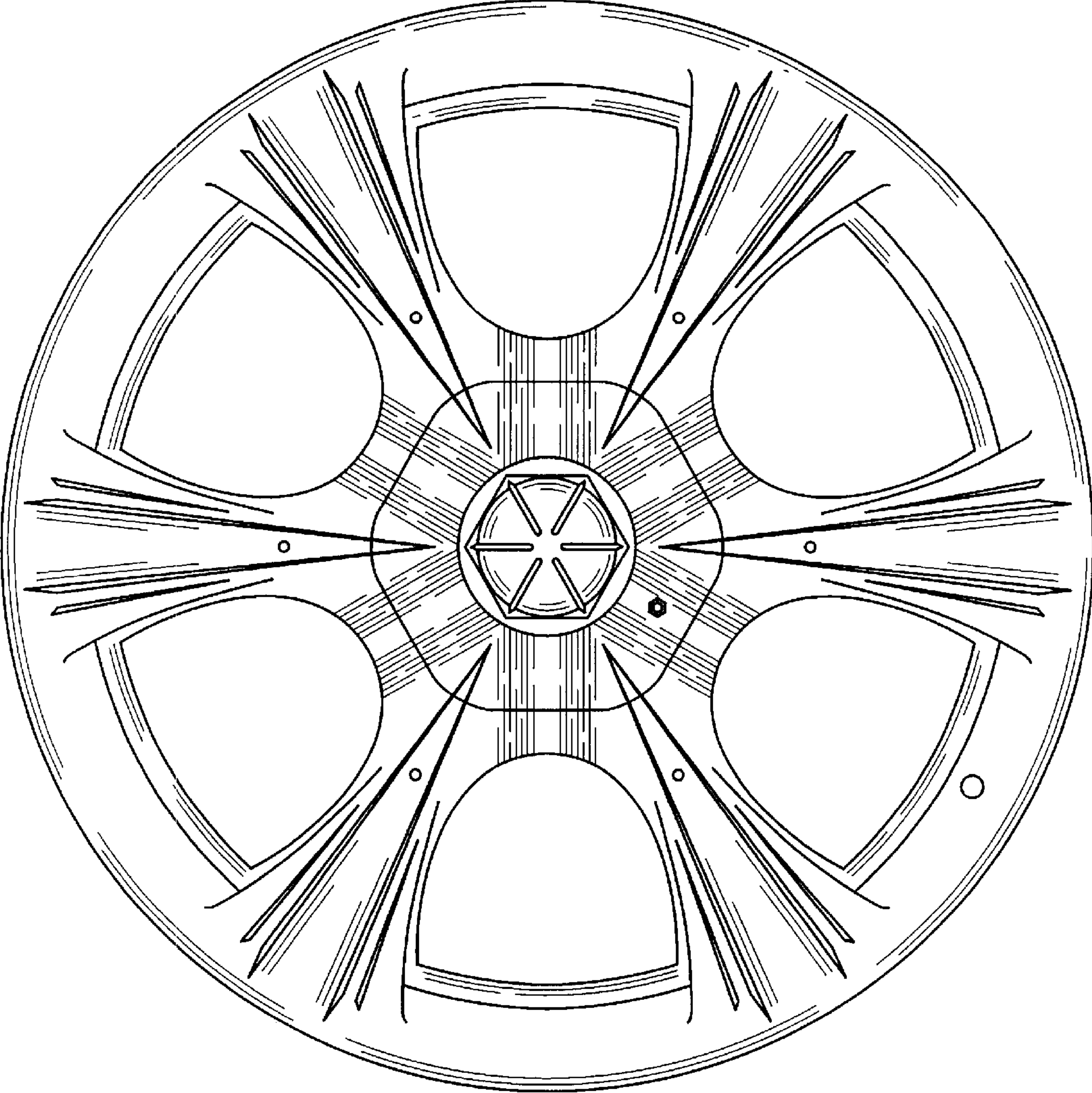


FIG. 2