



US00D531557S

(12) **United States Design Patent**
Weideman

(10) **Patent No.:** **US D531,557 S**

(45) **Date of Patent:** **** Nov. 7, 2006**

(54) **INSTRUMENT CLUSTER**

(75) Inventor: **Michael Weideman**, Manhattan Beach,
CA (US)

(73) Assignee: **Honda Motor Co., Ltd.**, Tokyo (JP)

(**) Term: **14 Years**

(21) Appl. No.: **29/245,491**

(22) Filed: **Dec. 27, 2005**

(51) **LOC (8) Cl.** **12-16**

(52) **U.S. Cl.** **D12/192**

(58) **Field of Classification Search** D12/192;
180/90; 280/750-752; 296/190-191, 70;
D10/46, 102, 98, 122-127; D15/17, 28
See application file for complete search history.

(56) **References Cited**

U.S. PATENT DOCUMENTS

D440,925 S * 4/2001 Pfeiffer D12/192
D483,309 S * 12/2003 Wyszogrod D12/192

D492,232 S * 6/2004 Schultz D12/192
D499,367 S * 12/2004 Sauter et al. D12/192
D505,101 S * 5/2005 Juraschek D12/192
D514,994 S * 2/2006 Day D12/192

* cited by examiner

Primary Examiner—Stacia Cadmus

(74) *Attorney, Agent, or Firm*—Plumsea Law Group, LLC

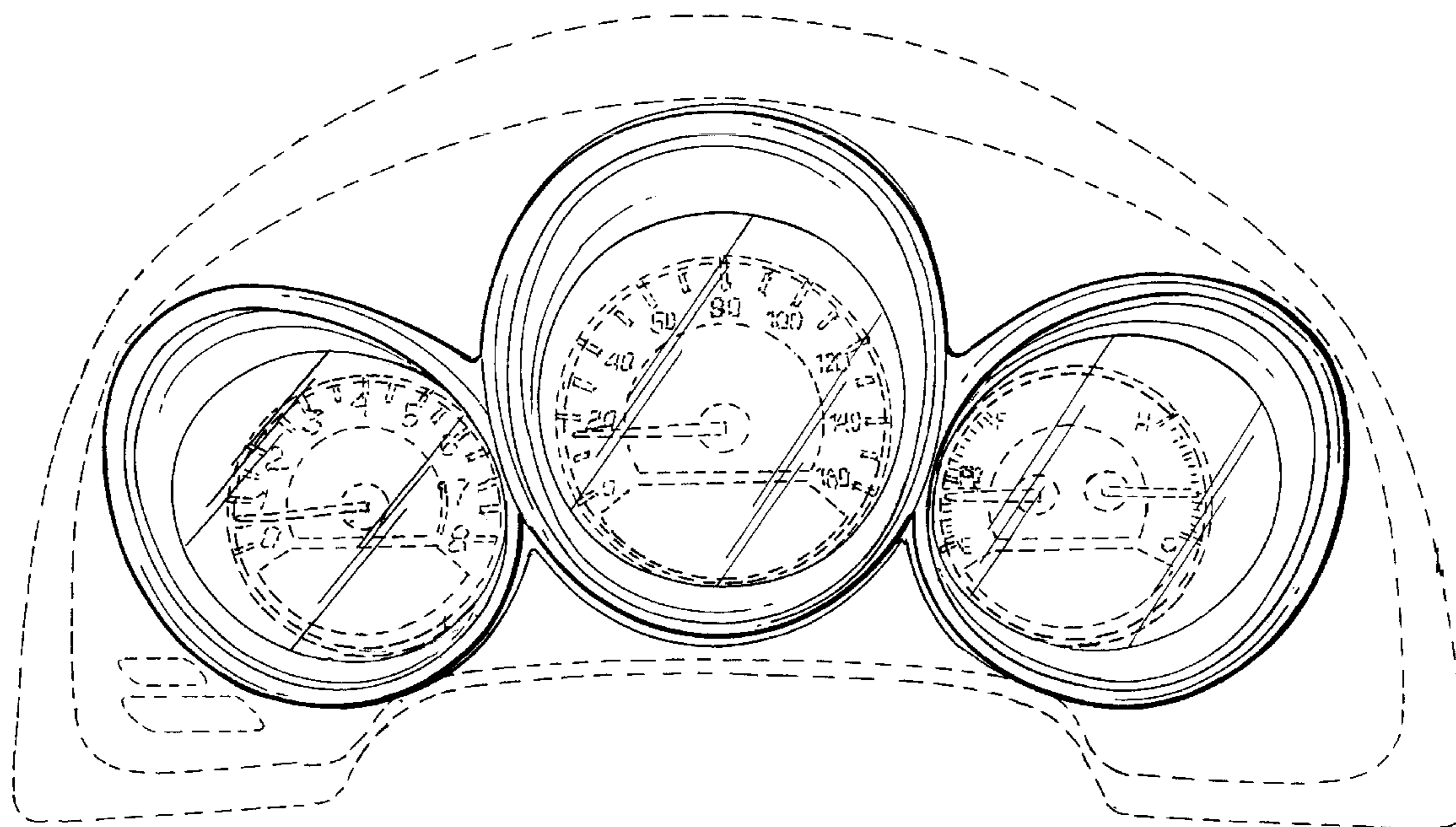
(57) **CLAIM**

The ornamental design for an instrument cluster, as shown and described.

DESCRIPTION

FIG. 1 is a front elevational view of an instrument cluster showing my new design; and, FIG. 2 is a perspective view from one side, the perspective view from the opposite side being a mirror image thereof. The broken line showings of the markings and indicia on the meters and dials, and the remainder of the front dash are for illustrative purposes only and form no part of the claimed design.

1 Claim, 2 Drawing Sheets



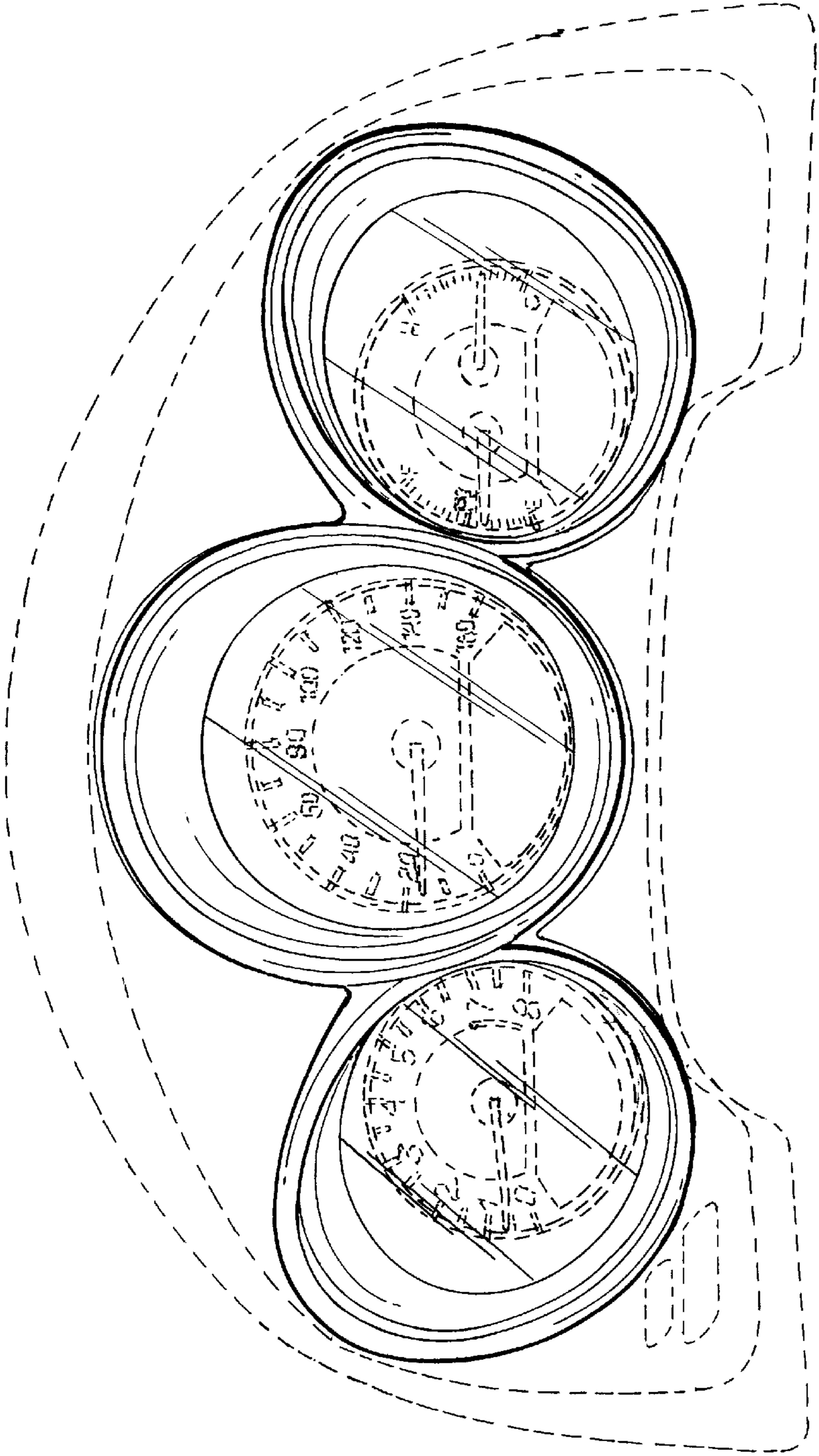


FIG. 1

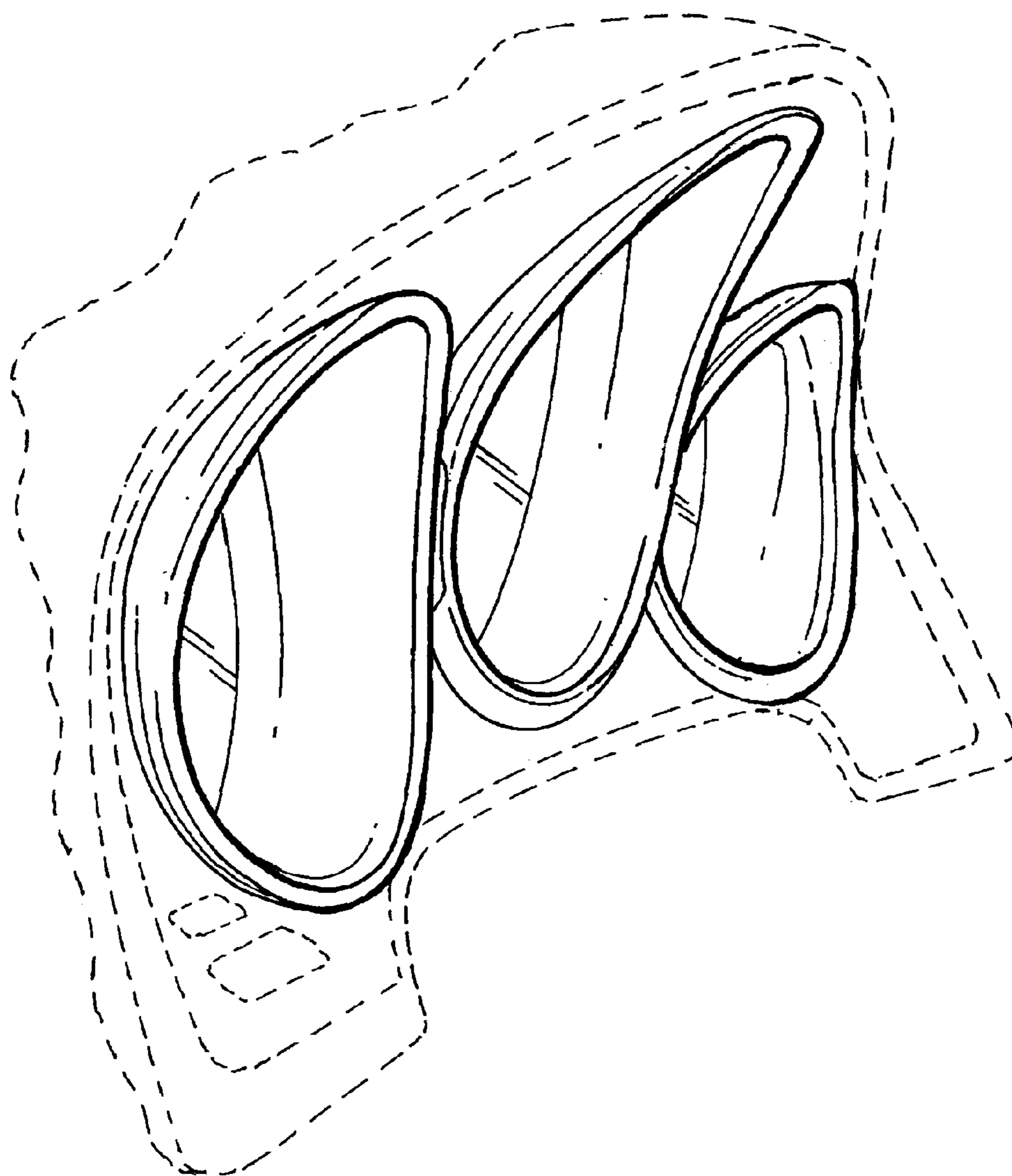


FIG. 2

UNITED STATES PATENT AND TRADEMARK OFFICE
CERTIFICATE OF CORRECTION

PATENT NO. : Des. 531,557 S
APPLICATION NO. : 29/245491
DATED : November 7, 2006
INVENTOR(S) : Michael Wiedeman

Page 1 of 1

It is certified that error appears in the above-identified patent and that said Letters Patent is hereby corrected as shown below:

Title Page:

Item (75) the inventor's name should read -- Michael Wiedeman -- instead of
"Michael Weideman".

Signed and Sealed this

Sixteenth Day of January, 2007

A handwritten signature in black ink on a light gray dotted background. The signature reads "Jon W. Dudas" in a cursive style.

JON W. DUDAS

Director of the United States Patent and Trademark Office