



US00D531545S

(12) **United States Design Patent**
Yamazaki

(10) **Patent No.:** **US D531,545 S**
(45) **Date of Patent:** **** Nov. 7, 2006**

(54) **PULL TAB OF SLIDER FOR SLIDE FASTENER**

DESCRIPTION

(75) Inventor: **Miki Yamazaki**, Toyama-Ken (JP)

(73) Assignee: **YKK Corporation**, Tokyo (JP)

(**) Term: **14 Years**

(21) Appl. No.: **29/201,187**

(22) Filed: **Mar. 11, 2004**

(30) **Foreign Application Priority Data**

Sep. 12, 2003	(JP)	2003-026753
Sep. 12, 2003	(JP)	2003-026754
Sep. 12, 2003	(JP)	2003-026755

(51) **LOC (8) Cl.** **02-07**

(52) **U.S. Cl.** **D11/221**

(58) **Field of Classification Search** D11/200,
D11/201, 221; 24/415-417, 419, 421, 427-431,
24/381-382, 385, 387, 433; 384/64
See application file for complete search history.

(56) **References Cited**

U.S. PATENT DOCUMENTS

D320,957 S	*	10/1991	Yuki	D11/221
D378,071 S	*	2/1997	Kincman, Sr.	D11/221
D380,987 S	*	7/1997	Izumi	D11/221
D393,431 S	*	4/1998	Kawamura	D11/221
D449,563 S	*	10/2001	Starck	D11/221

* cited by examiner

Primary Examiner—Ralf Seifert

(74) *Attorney, Agent, or Firm*—Everest Intellectual Property Law Group; Michael S. Leonard

(57) **CLAIM**

I claim the ornamental design for a pull tab of slider for slide fastener, as shown and described.

FIG. 1 is a perspective view of a pull tab of slider for slide fastener of the claimed design.

FIG. 2 is a front elevational view of the pull tab of slider for slide fastener of FIG. 1.

FIG. 3 is a rear elevational view of the pull tab of slider for slide fastener of FIG. 1.

FIG. 4 is a top plan view of the pull tab of slider for slide fastener of FIG. 1, the bottom plan view being a mirror image.

FIG. 5 is a right side elevational view of the pull tab of slider for slide fastener of FIG. 1, the left side view being a mirror image.

FIG. 6 is a reference view of the pull tab of slider for slide fastener of FIG. 1 in a state of use.

FIG. 7 is another reference view of the pull tab of slider for slide fastener of FIG. 1 in a state of use.

FIG. 8 is a perspective view of another pull tab of slider for slide fastener of the claimed design.

FIG. 9 is a front elevational view of the pull tab of slider for slide fastener of FIG. 8.

FIG. 10 is a rear elevational view of the pull tab of slider for slide fastener of FIG. 8.

FIG. 11 is a top plan view of the pull tab of slider for slide fastener of FIG. 8, the bottom plan view being a mirror image.

FIG. 12 is a right side elevational view of the pull tab of slider for slide fastener of FIG. 8, the left side view being a mirror image.

FIG. 13 is a reference view of the pull tab of slider for slide fastener of FIG. 8 in a state of use; and,

FIG. 14 is another reference view of the pull tab of slider for slide fastener of FIG. 8 in a state of use.

The reference views showing the pull tab of slider for slide fastener in a states of use have portions which are not part of the claimed design.

1 Claim, 5 Drawing Sheets

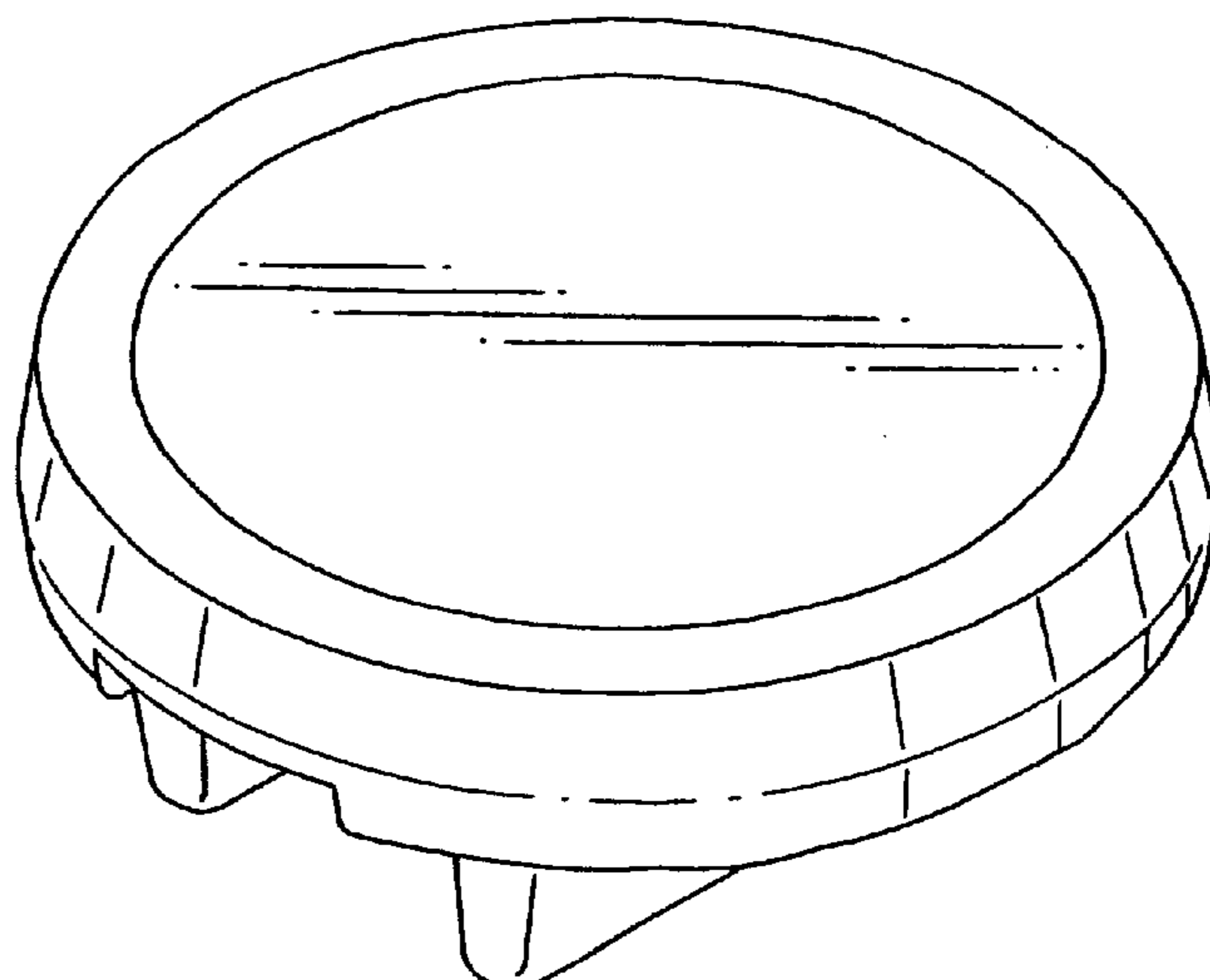


FIG. 1

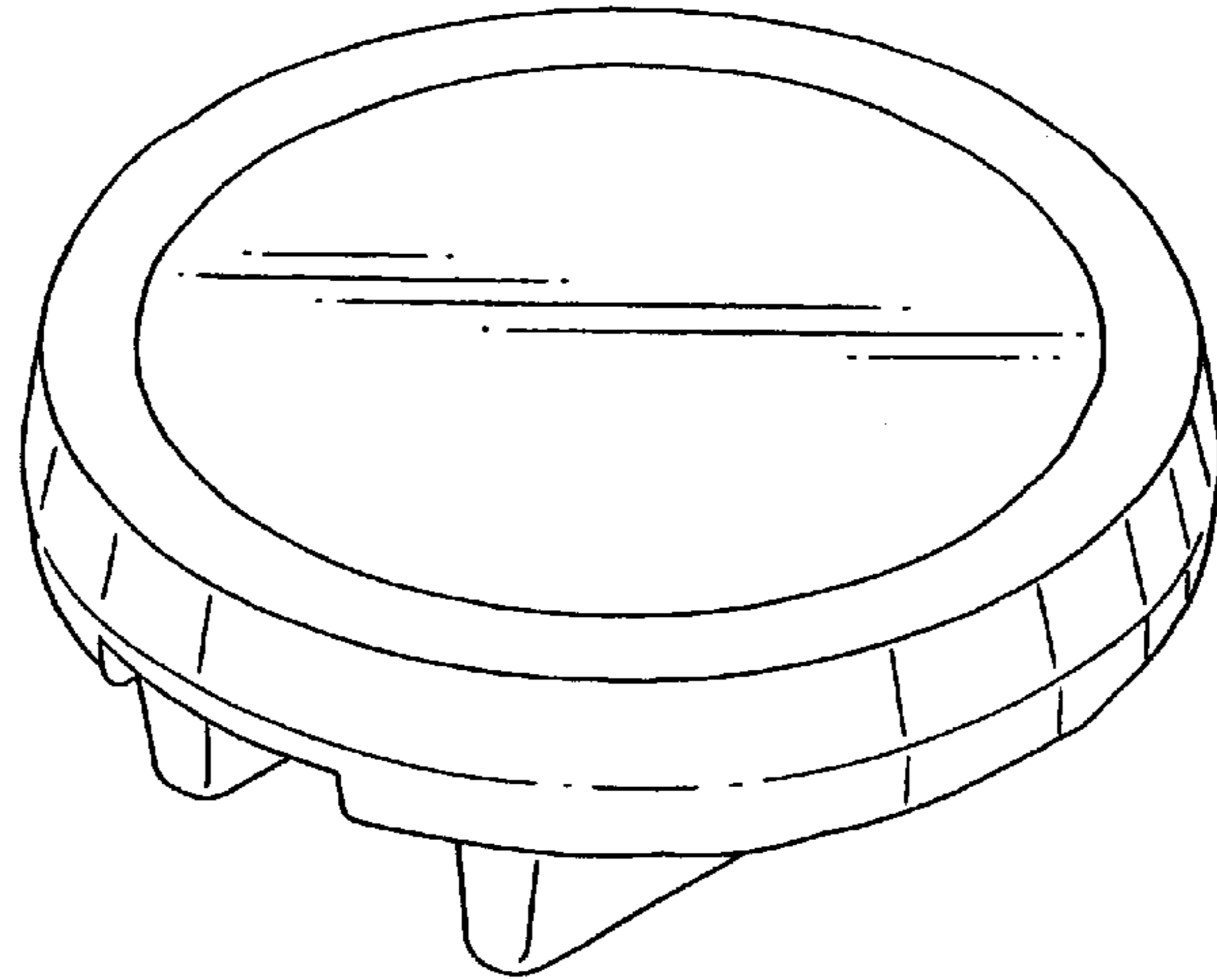


FIG. 2

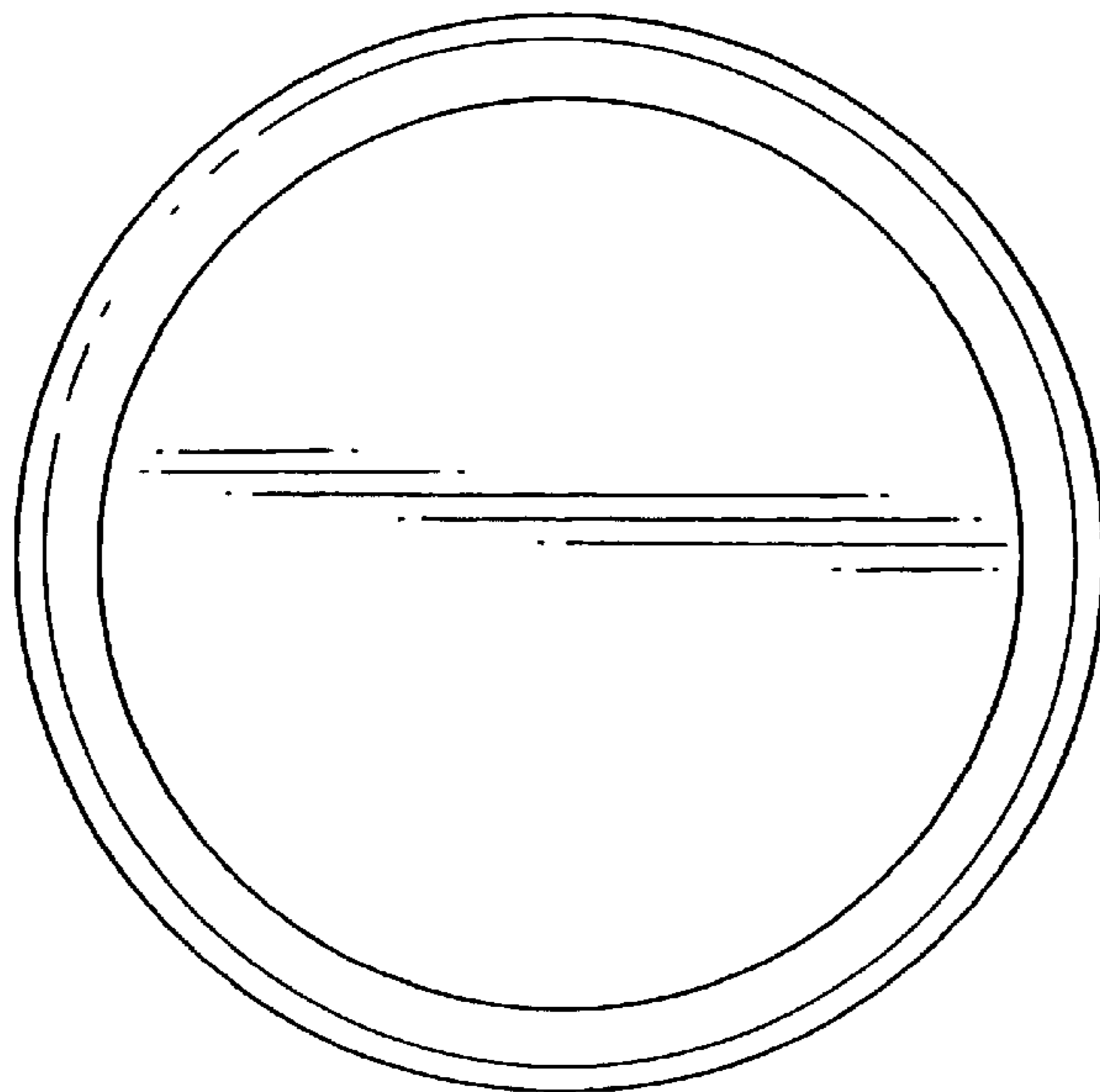


FIG. 3

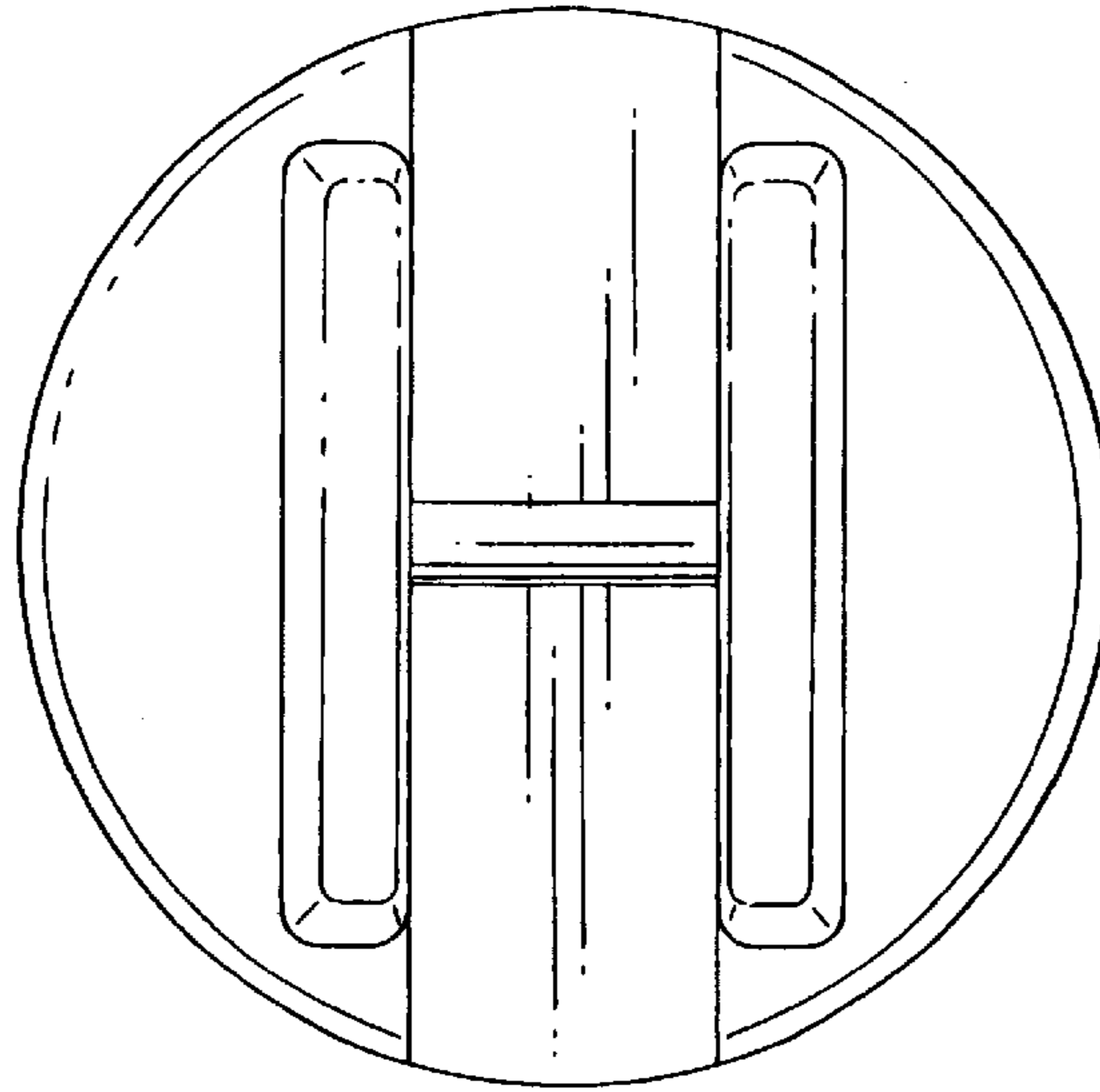


FIG. 4

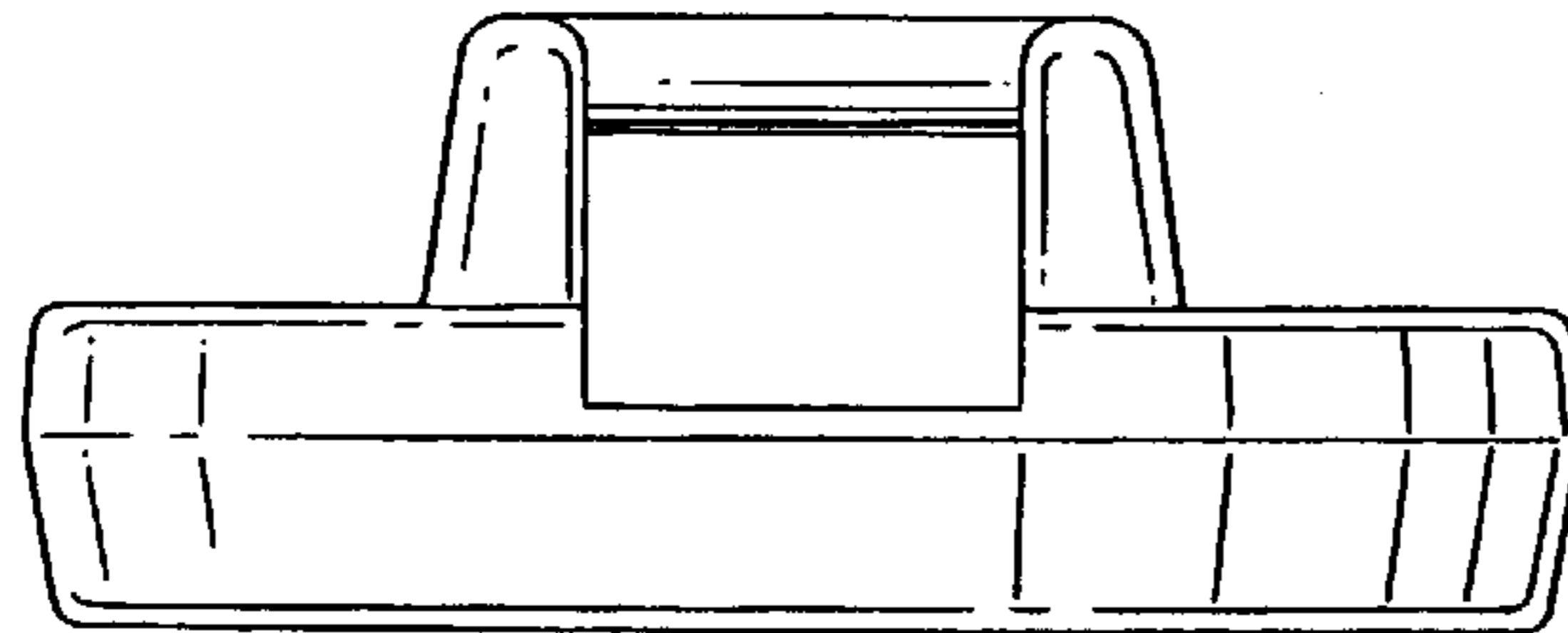
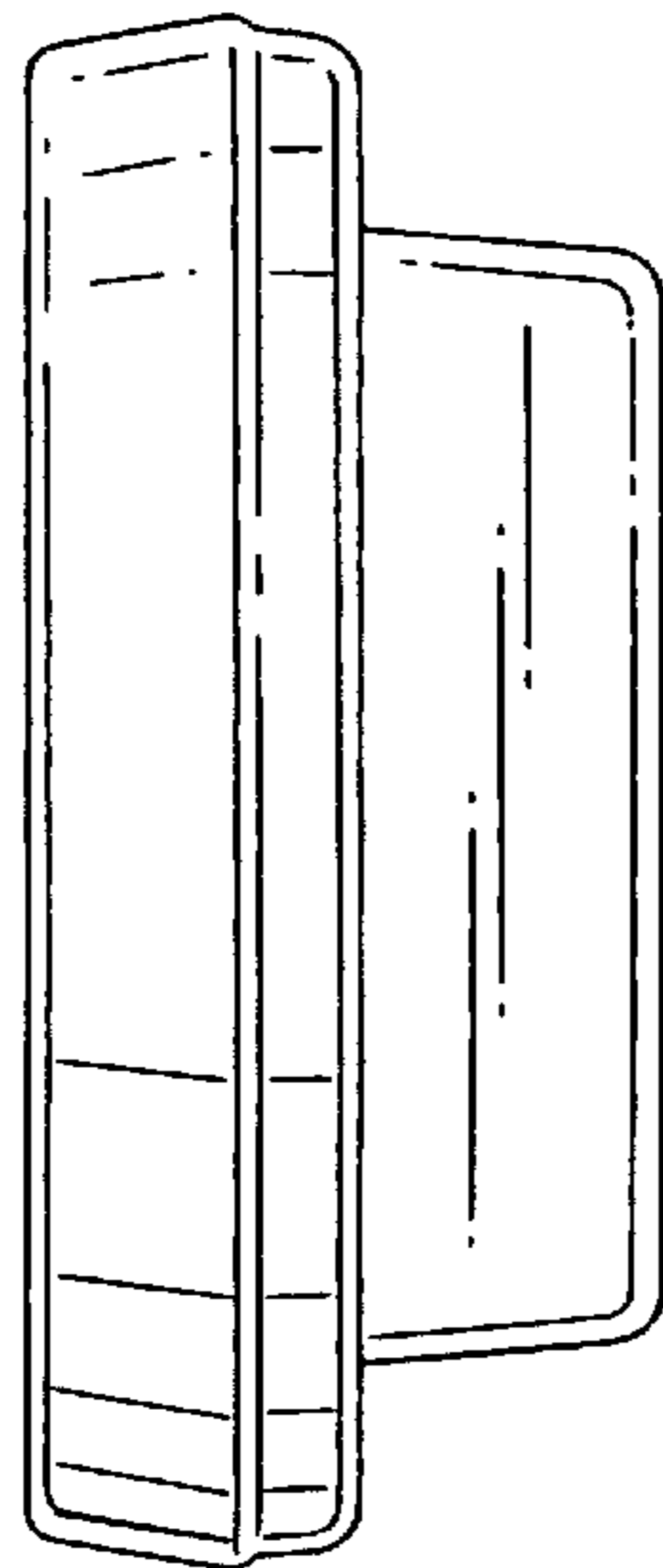


FIG. 5



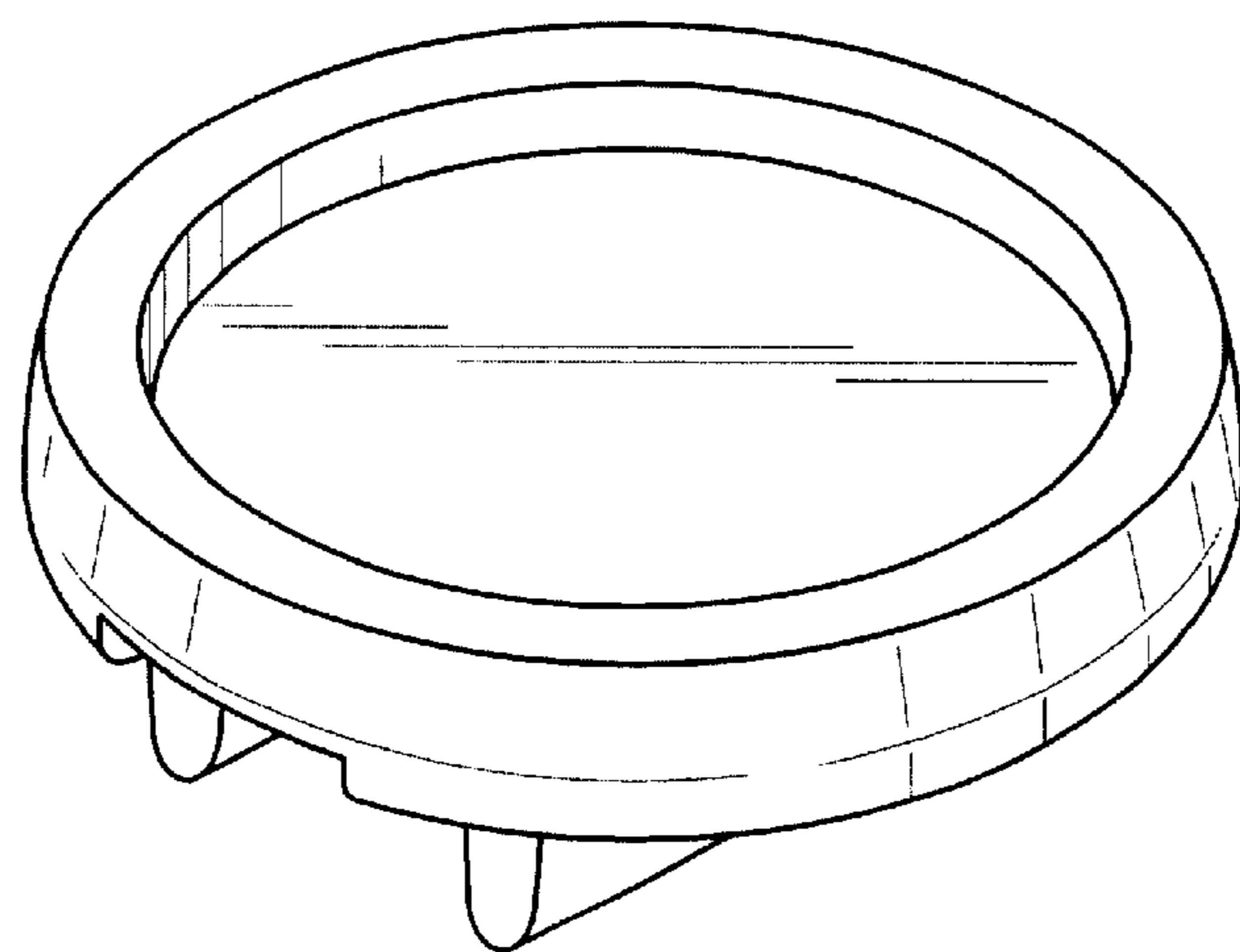


FIG. 6

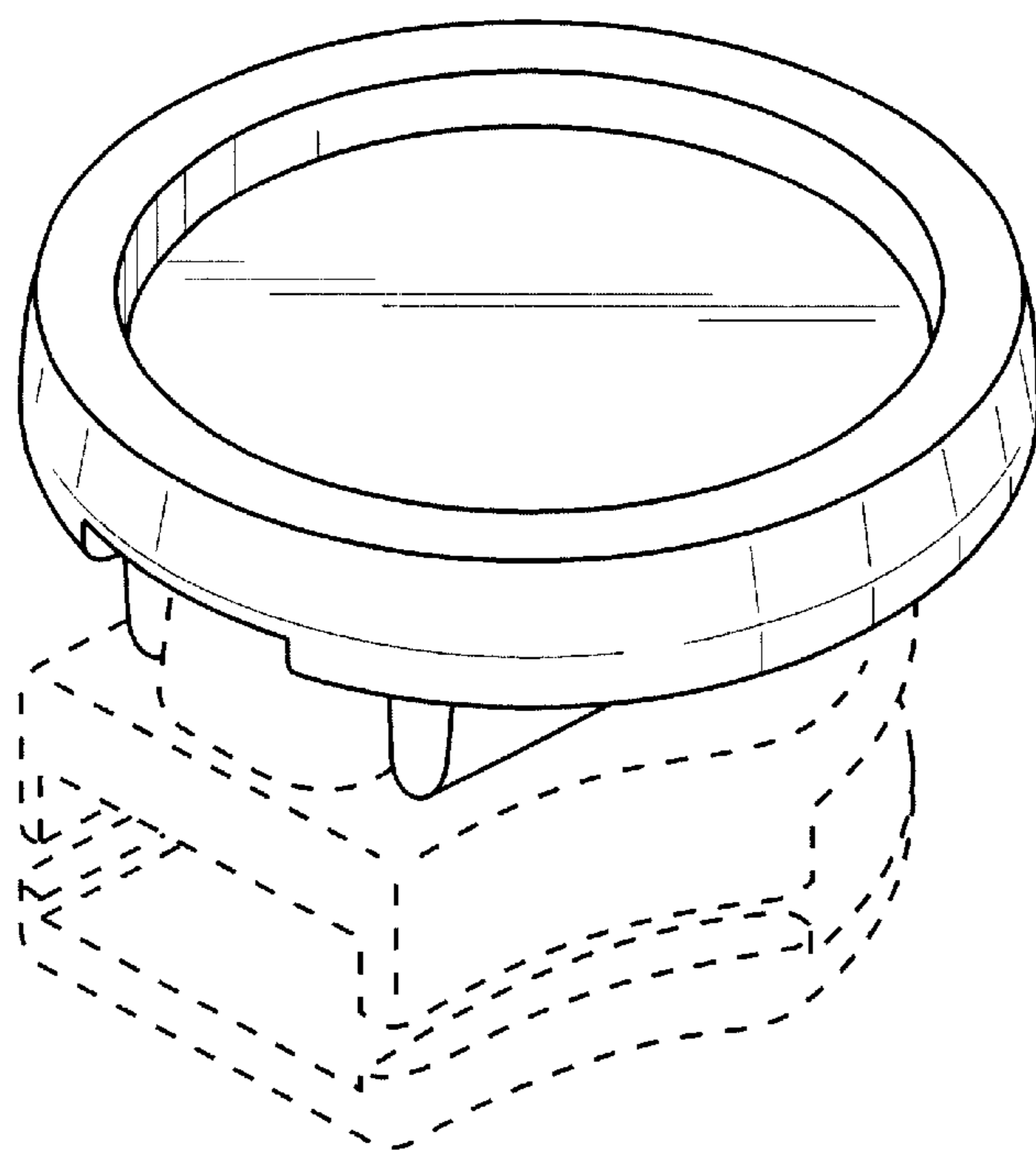


FIG. 7

FIG. 8

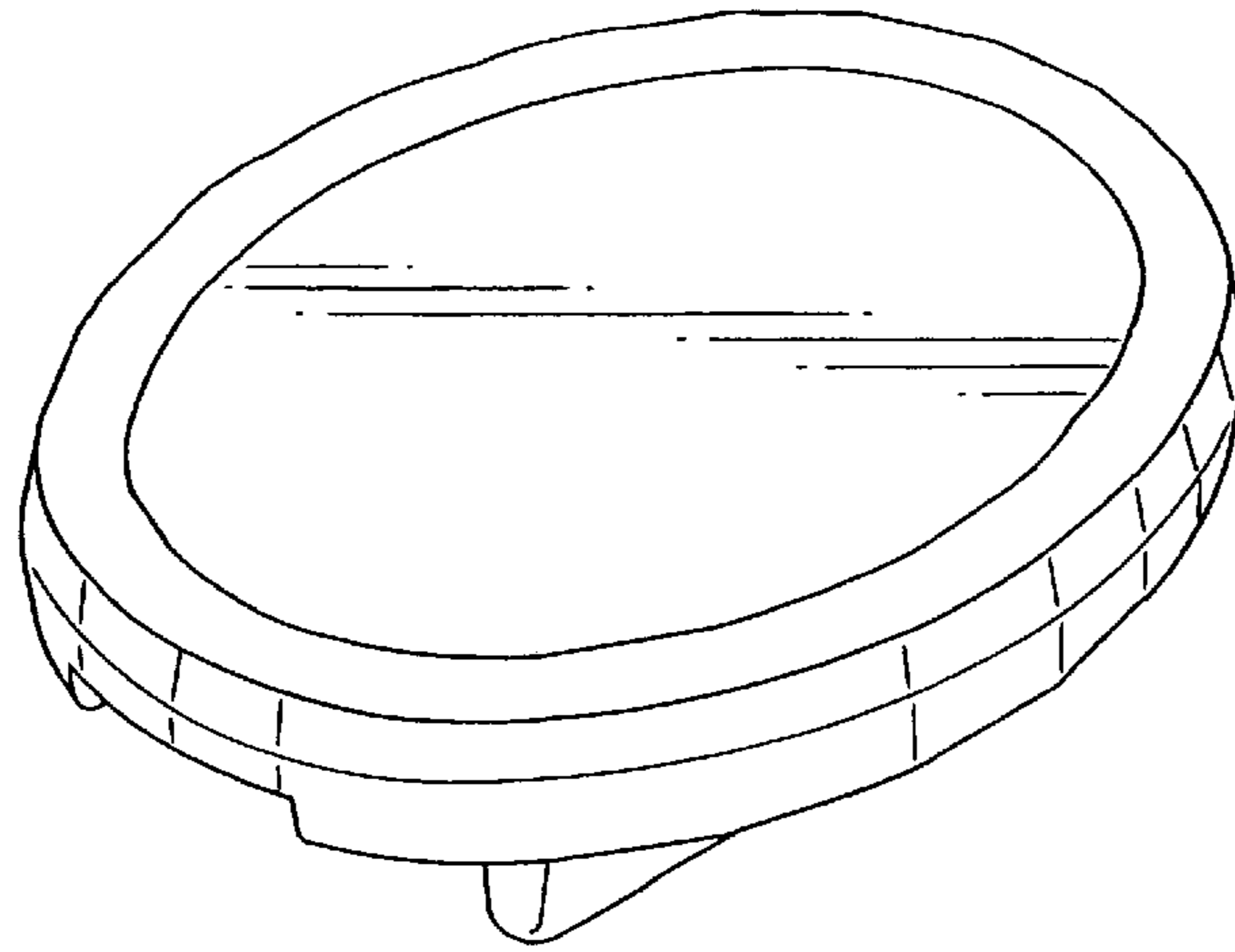


FIG. 9

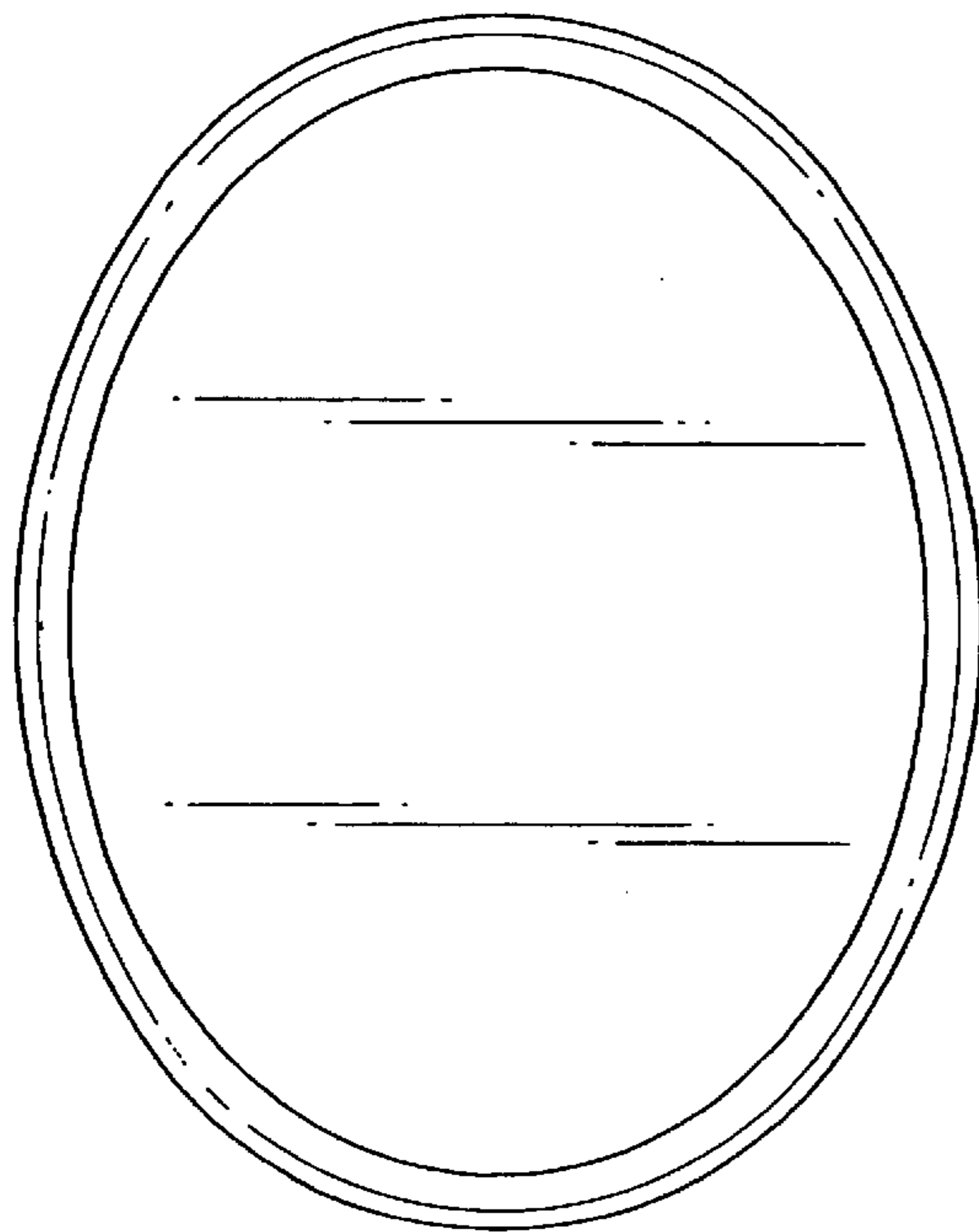
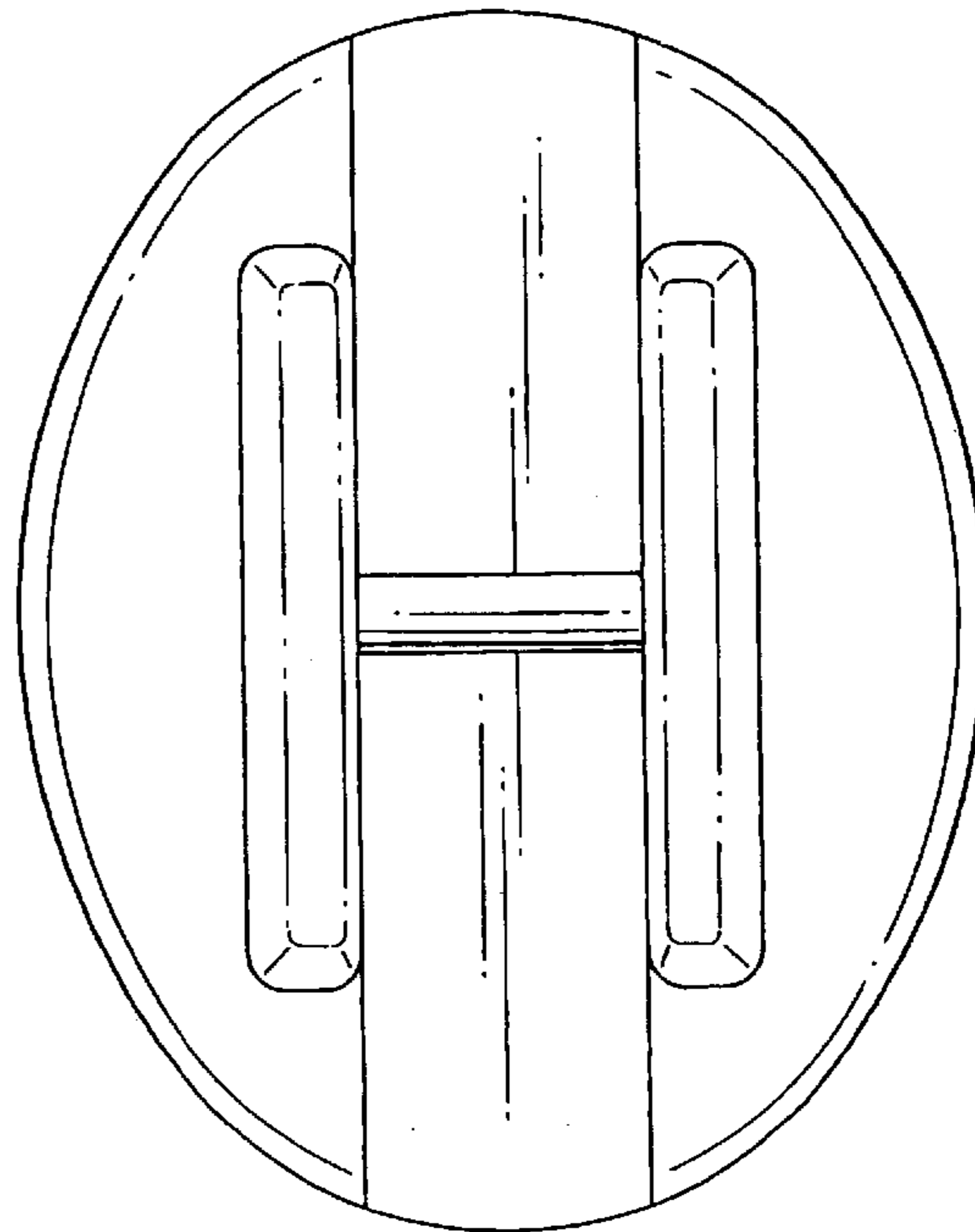


FIG. 10



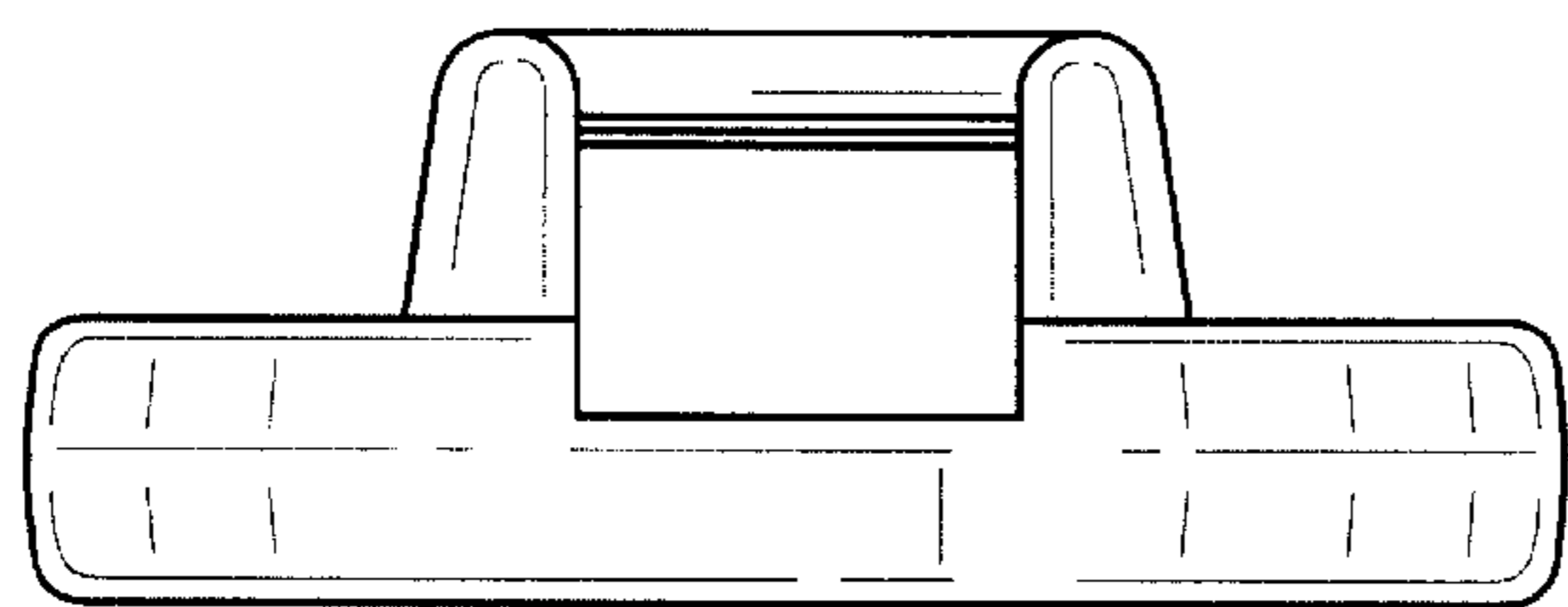


FIG. 11

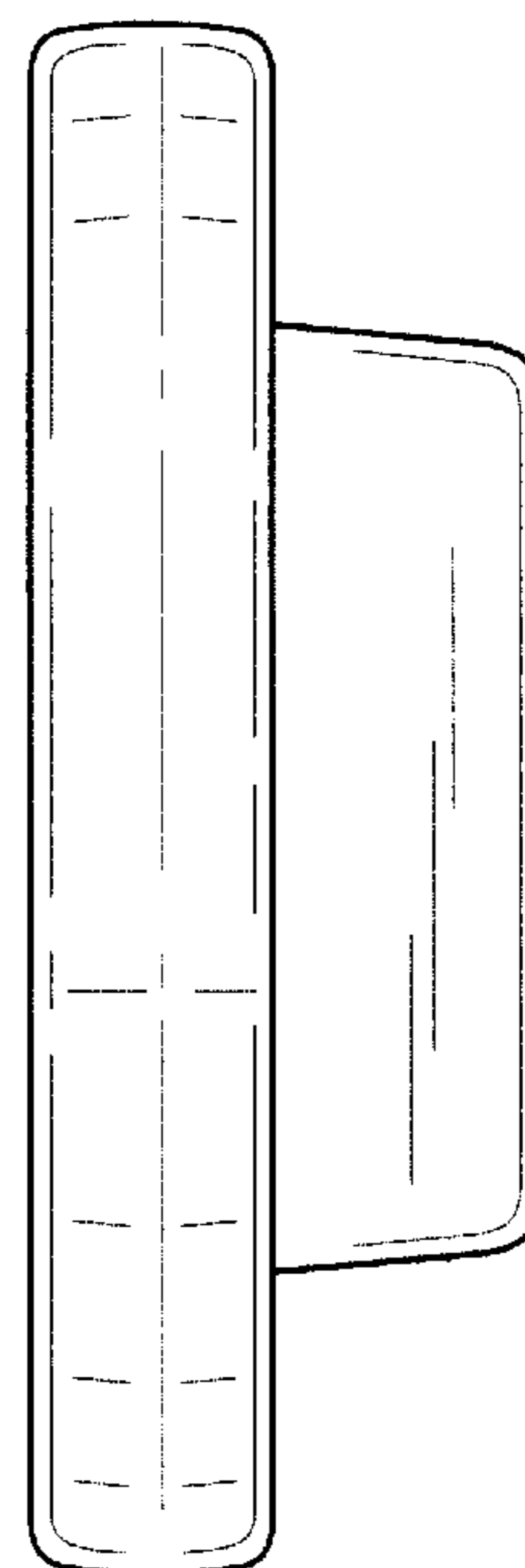


FIG. 12

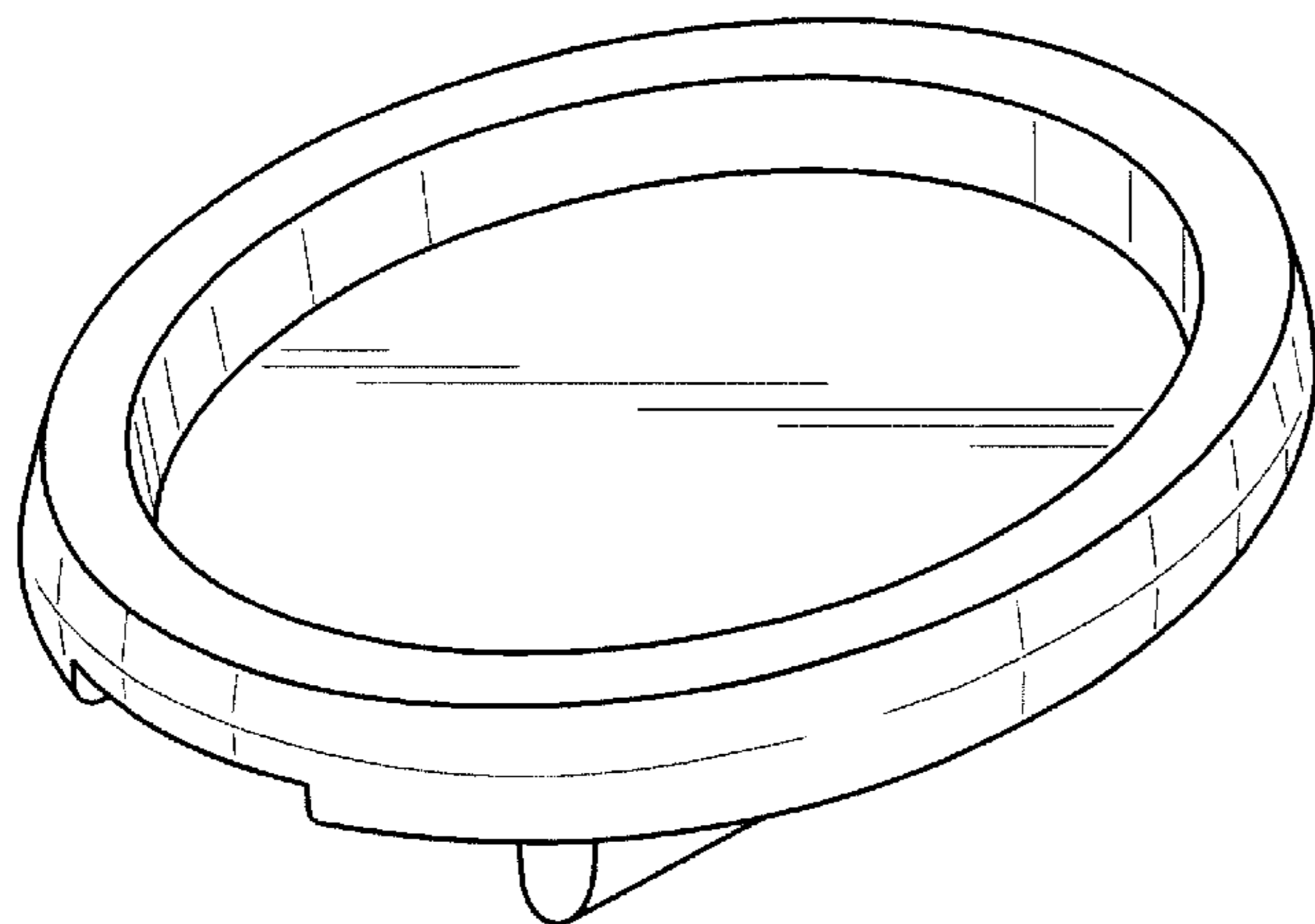


FIG. 13

FIG. 14

