



US00D531543S

(12) **United States Design Patent**  
**Peter**

(10) **Patent No.:** **US D531,543 S**

(45) **Date of Patent:** **\*\* Nov. 7, 2006**

(54) **CONTAINER SUPPORT RACK**

(76) **Inventor:** **James A. Peter**, 5976 Corlad Rd.,  
Athens, WI (US) 54411

(\*\*) **Term:** **14 Years**

(21) **Appl. No.:** **29/228,794**

(22) **Filed:** **Apr. 28, 2005**

(51) **LOC (8) Cl.** ..... **11-02**

(52) **U.S. Cl.** ..... **D11/164; D3/306; D11/143;**  
D11/152

(58) **Field of Classification Search** ..... D11/143,  
D11/144, 148, 152, 164, 130; D3/304, 306,  
D3/307, 318, 319, 328; D6/403, 458, 509–513,  
D6/537, 556, 566; D7/356, 357, 362–363,  
D7/409, 610, 667, 704; D8/8; D32/54, 55,  
D32/56, 58; 47/65.5, 65.6, 67, 71, 75, 78,  
47/85, 39, 904; 211/41.4, 85.23, 85.25, 85.29,  
211/85.31, 106, 112, 119, 126.8, 126.9, 133.5,  
211/181.1; 248/27.8, 94, 311.2, 318; 220/8,  
220/573.4, 485, 491, 494, 743, 751  
See application file for complete search history.

(56) **References Cited**

**U.S. PATENT DOCUMENTS**

2,350,922 A \* 6/1944 Planeta ..... 47/67  
3,013,758 A \* 12/1961 Smith ..... 248/153

D226,279 S \* 2/1973 Eyerly ..... D11/148  
D237,814 S \* 11/1975 Edmonds, Jr. et al. .... D11/152  
4,372,351 A \* 2/1983 Myers ..... 140/112  
4,852,760 A \* 8/1989 Sarnoff et al. .... 220/743  
5,050,339 A \* 9/1991 Howell ..... 47/39  
5,311,700 A \* 5/1994 Thomas ..... 47/76  
D405,290 S \* 2/1999 Hollinger ..... D6/403  
D442,422 S \* 5/2001 Dabney ..... D7/337  
D463,158 S \* 9/2002 Lu ..... D6/403  
D481,885 S \* 11/2003 Sellers ..... D6/403

\* cited by examiner

*Primary Examiner*—Catherine Tuttle

(74) *Attorney, Agent, or Firm*—Andrus, Scales, Starke &  
Sawall, LLP

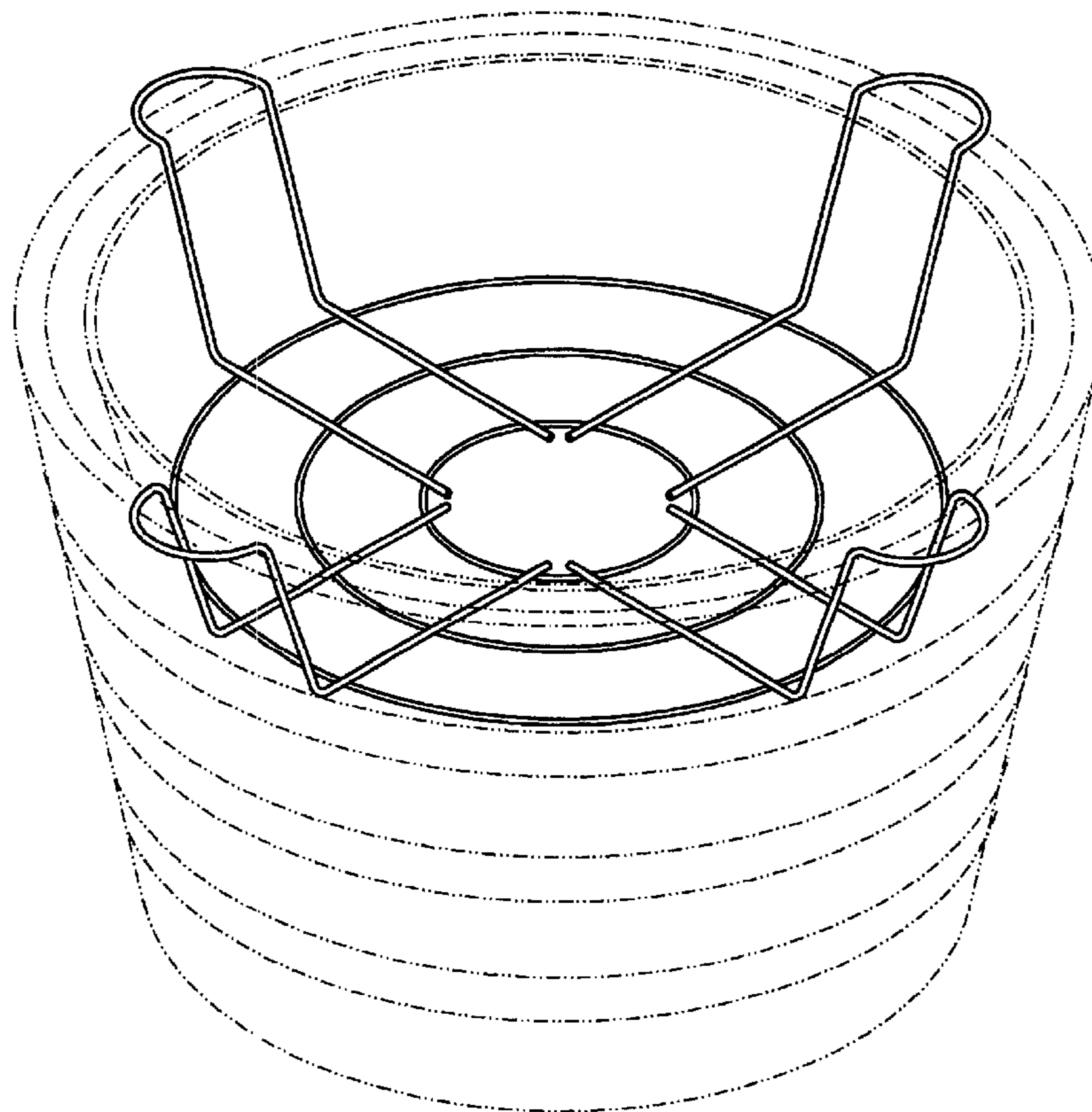
(57) **CLAIM**

The ornamental design for a container support rack, as  
shown and described.

**DESCRIPTION**

FIG. 1 is a perspective view of a container support rack  
showing my new ornamental design;  
FIG. 2 is a top view of the container support rack shown in  
FIG 1;  
FIG. 3 is an elevational view of the container support rack  
shown in FIG 1; and,  
FIG. 4 is a bottom view of the container support rack shown  
in FIG 1.

**1 Claim, 3 Drawing Sheets**



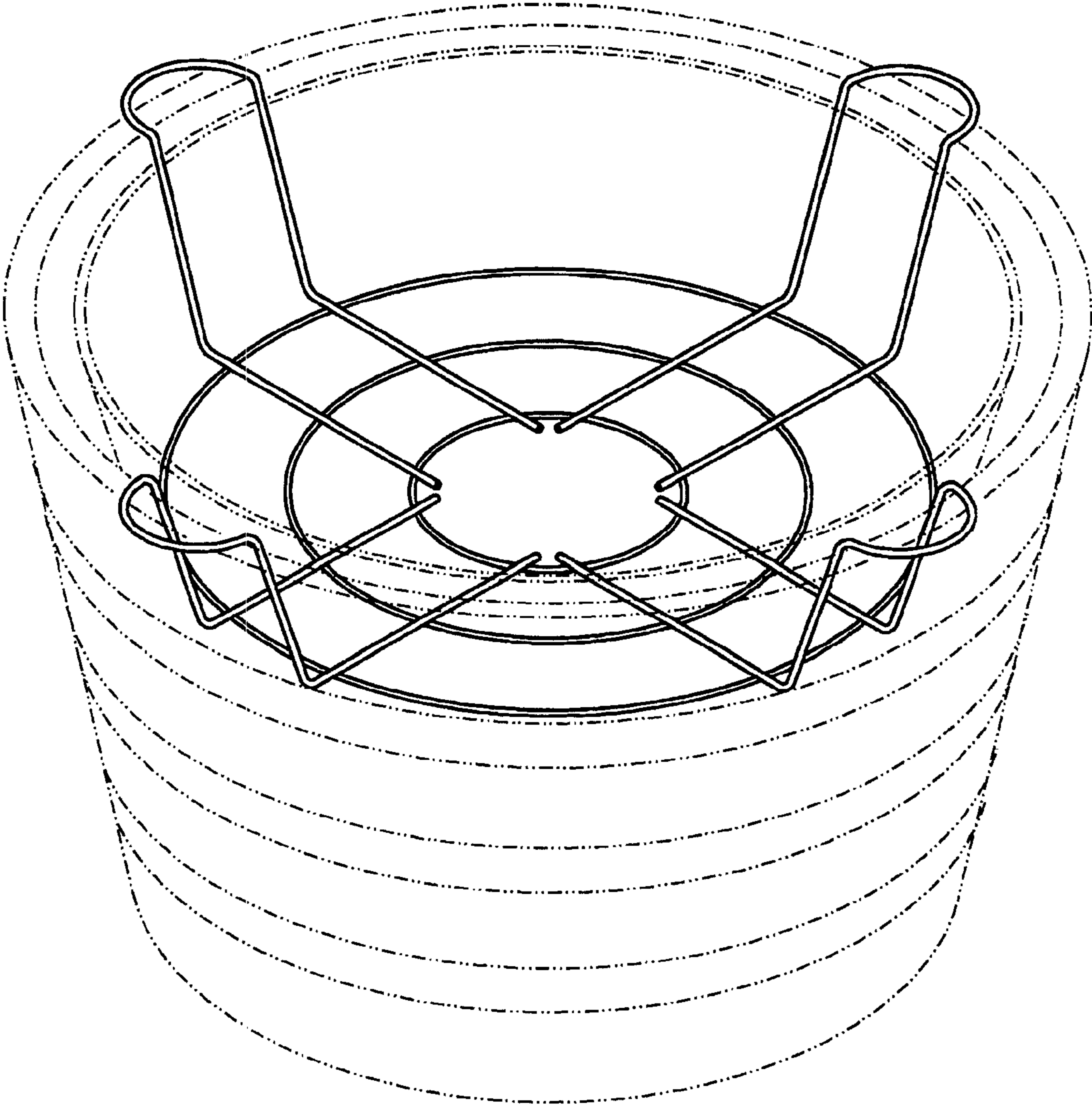


FIG. 1

FIG. 2

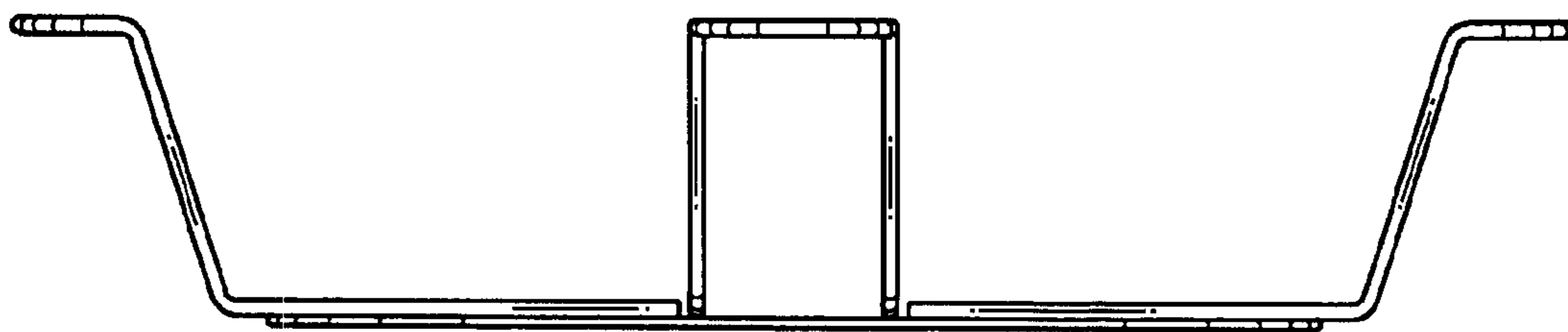
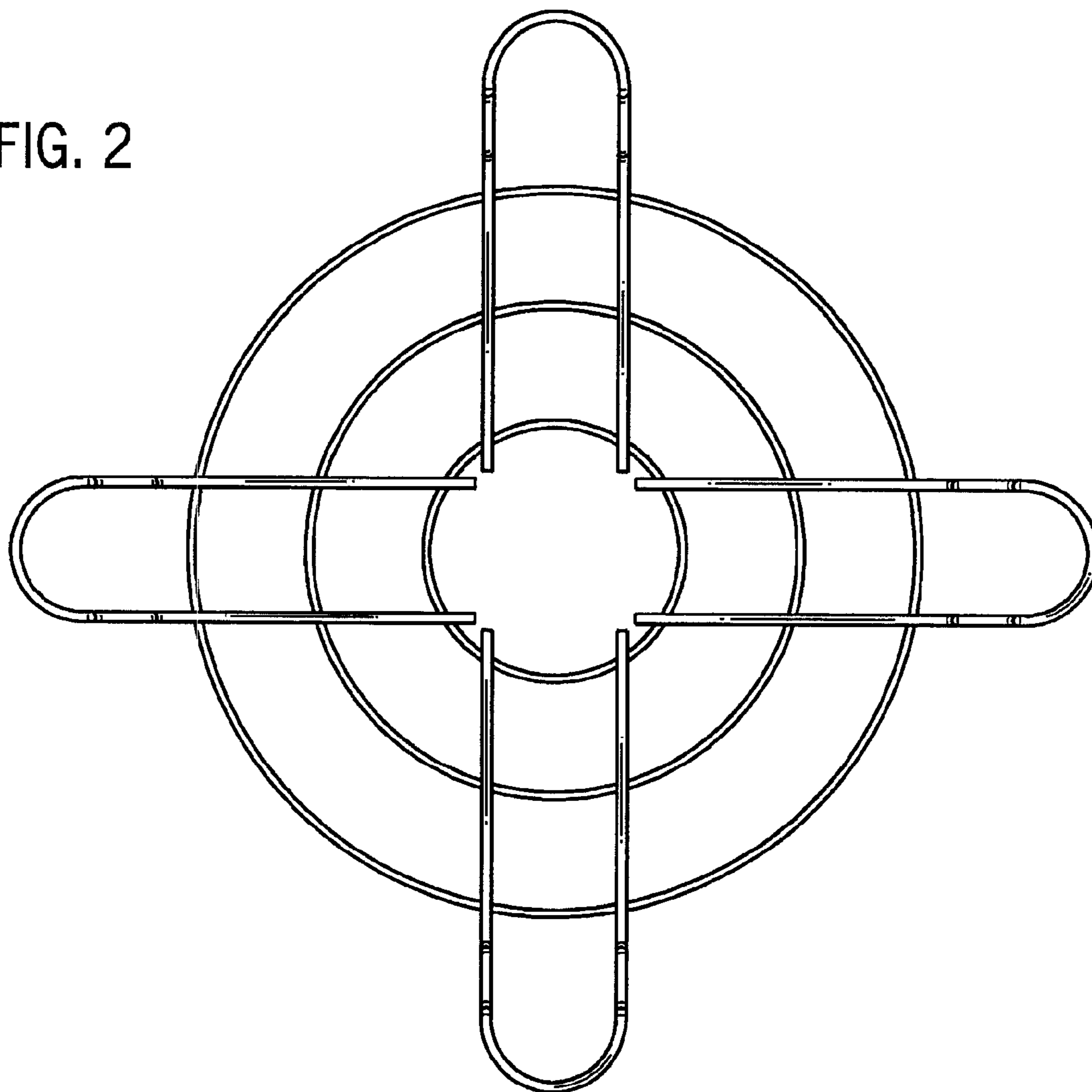


FIG. 3

FIG. 4

