



US00D531531S

(12) **United States Design Patent**
Chen

(10) **Patent No.:** **US D531,531 S**

(45) **Date of Patent:** **** Nov. 7, 2006**

(54) **HANDHELD GLOBAL POSITIONING
SATELLITE BASED NAVIGATION**

(75) Inventor: **Tonny Chen**, Changhua (TW)

(73) Assignee: **E-Lead Electronic Co., Ltd.**,
Changhua (TW)

(**) Term: **14 Years**

(21) Appl. No.: **29/241,843**

(22) Filed: **Nov. 2, 2005**

(51) **LOC (8) Cl.** **10-04**

(52) **U.S. Cl.** **D10/65**

(58) **Field of Classification Search** D10/65,
D10/70; 340/539.13, 995.1; 342/357.13,
342/357.06-357.09, 357.1; 343/702; 455/566,
455/575.1, 150.1, 151.3, 90.1, 12.1, 456.1
See application file for complete search history.

(56) **References Cited**

U.S. PATENT DOCUMENTS

D366,220 S	*	1/1996	Sakamoto	D10/65
6,418,309 B1	*	7/2002	Moon et al.	455/418
6,501,429 B1	*	12/2002	Nakamura et al.	343/702
D469,367 S	*	1/2003	Mirabelli et al.	D10/65
6,781,551 B1	*	8/2004	Gerber	343/702

6,876,871 B1	*	4/2005	Hirayama et al.	455/566
6,912,463 B1	*	6/2005	Miwa	701/213
D506,937 S	*	7/2005	Lee et al.	D10/65
D508,213 S	*	8/2005	Silzer et al.	D10/65
D509,760 S	*	9/2005	Burrell et al.	D10/65
6,977,617 B1	*	12/2005	Asano et al.	343/702
D515,441 S	*	2/2006	Shindo	D10/65
D517,932 S	*	3/2006	Lum	D10/65
7,054,670 B1	*	5/2006	Wang et al.	455/566

* cited by examiner

Primary Examiner—Antoine D. Davis

(74) *Attorney, Agent, or Firm*—Troxell Law Office, PLLC

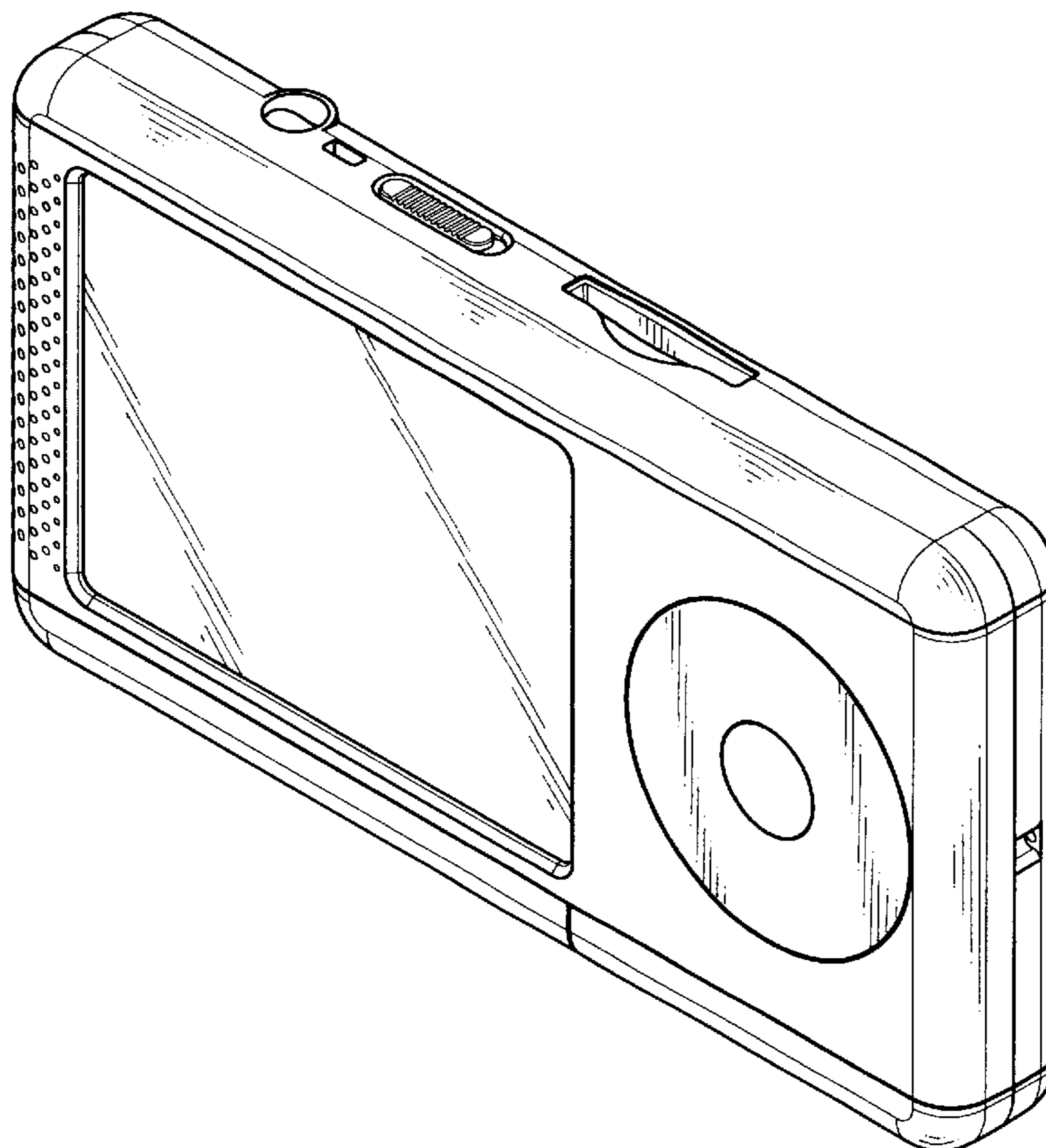
(57) **CLAIM**

The ornamental design for a handheld global positioning satellite based navigation, as shown and described.

DESCRIPTION

FIG. 1 is a perspective view of handheld global positioning satellite based navigation showing my new design;
FIG. 2 is a front elevation view thereof;
FIG. 3 is a rear elevation view thereof;
FIG. 4 is a left side elevation view thereof;
FIG. 5 is a right side elevation view thereof;
FIG. 6 is a top plan view thereof; and,
FIG. 7 is a bottom plan view thereof.

1 Claim, 3 Drawing Sheets



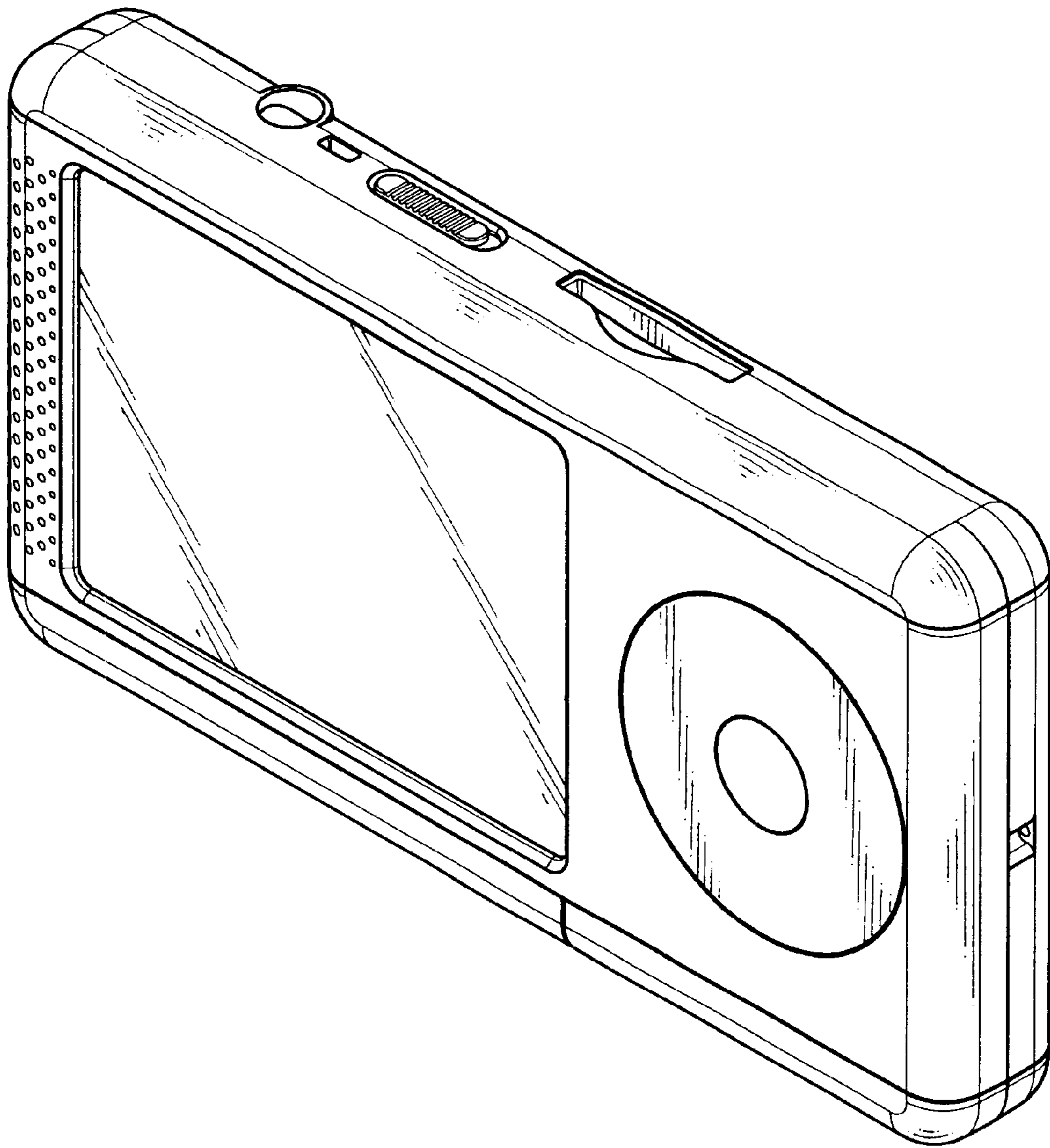


FIG. 1

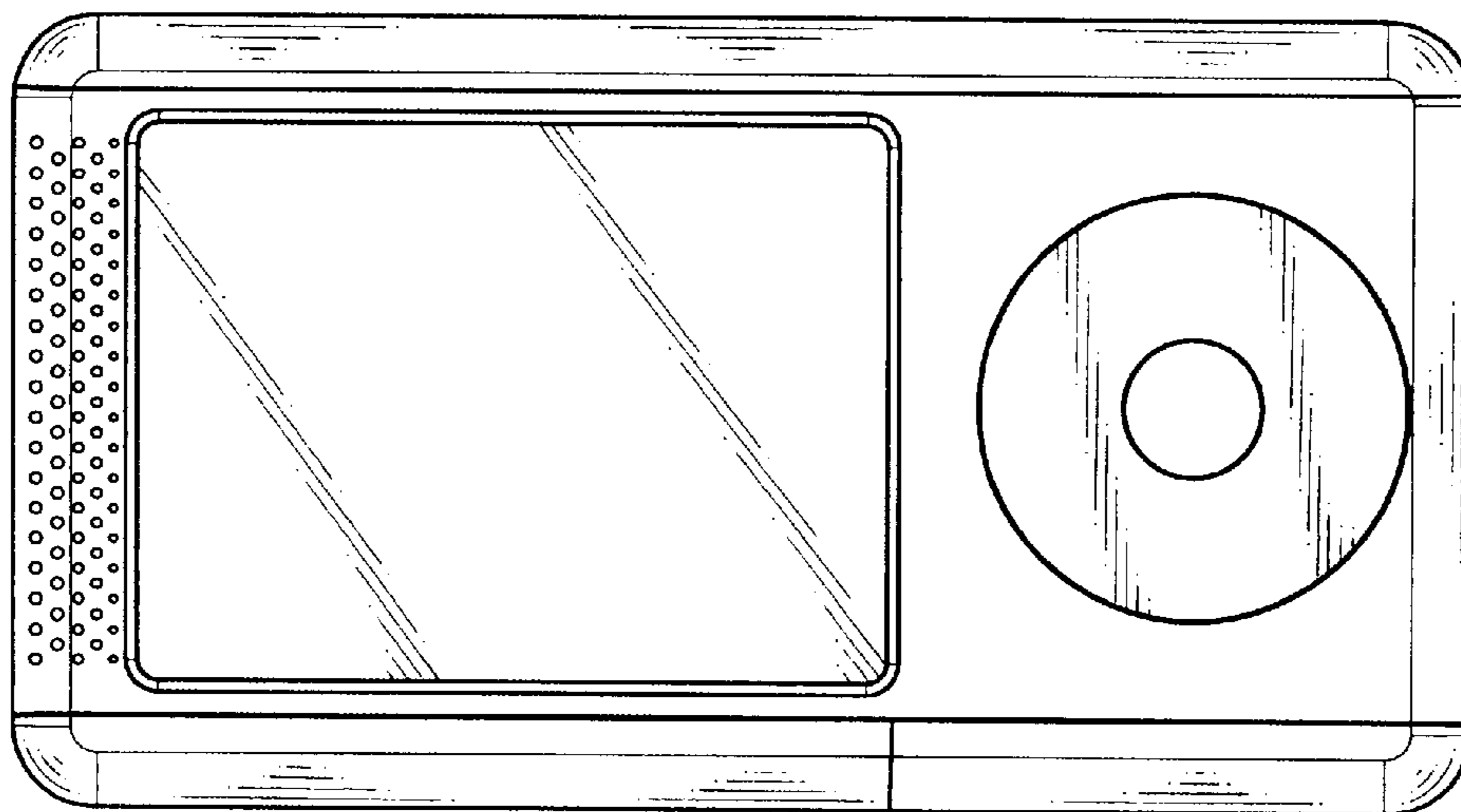


FIG. 2

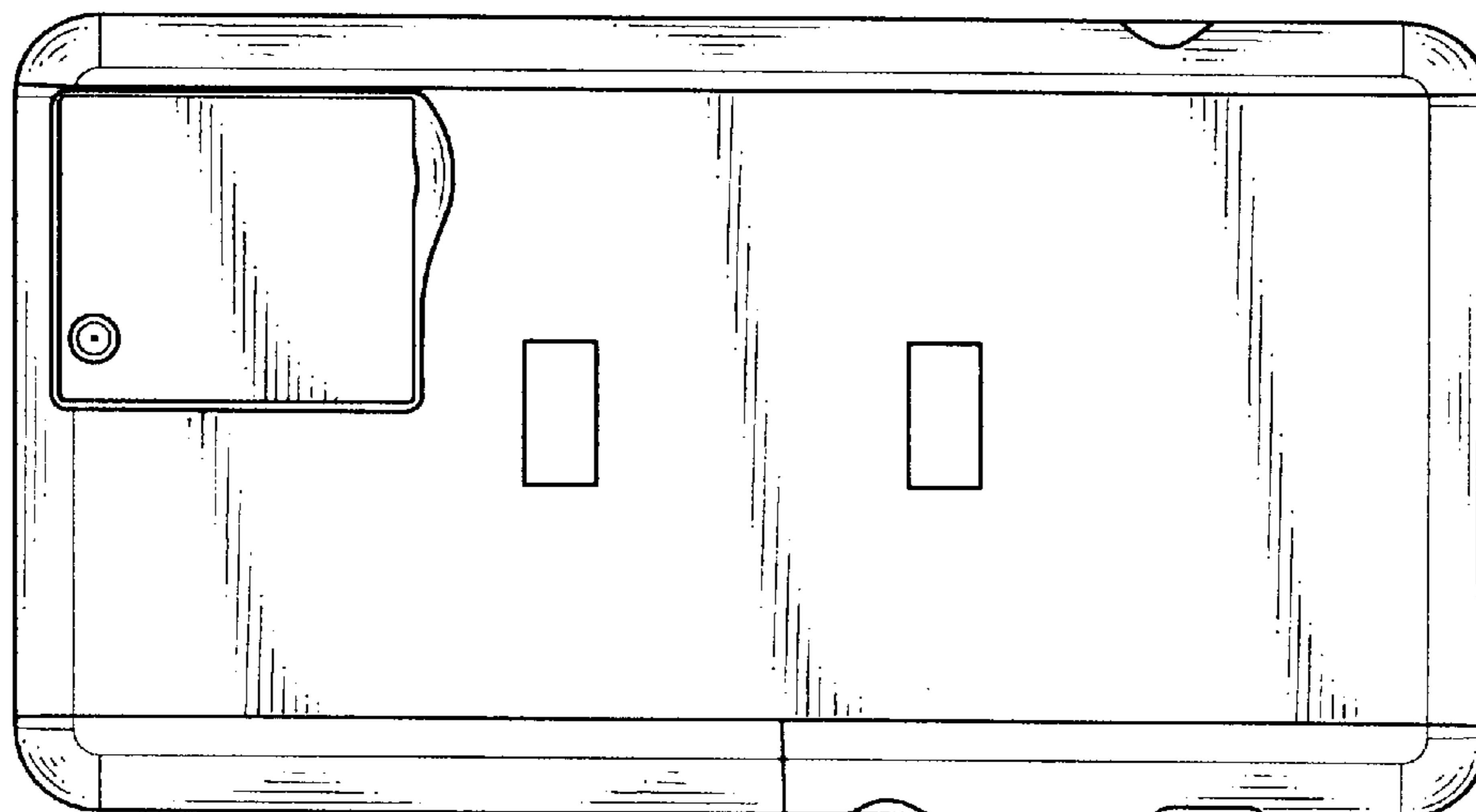


FIG. 3

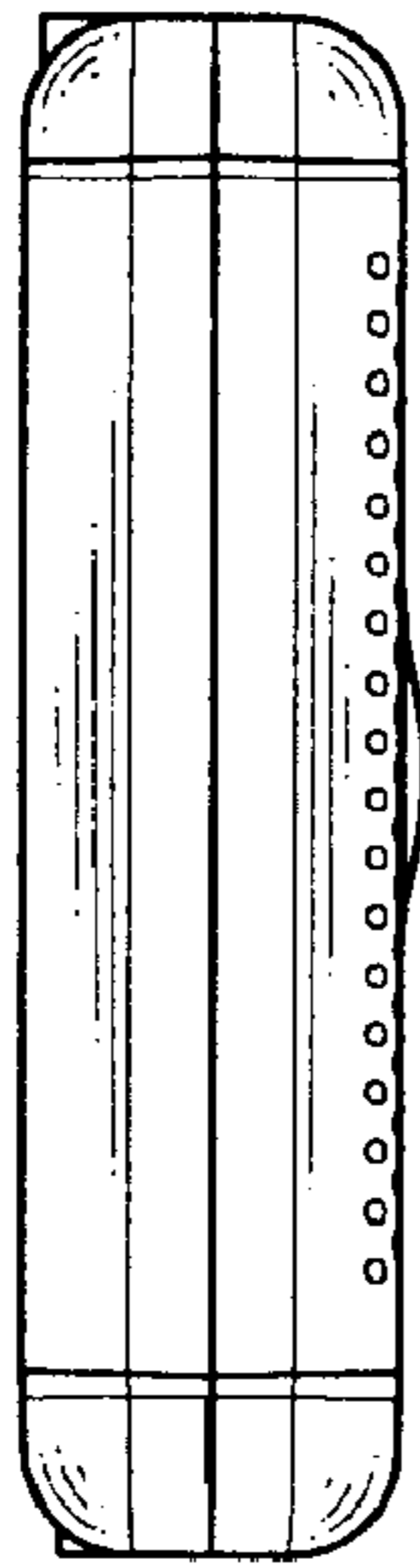


FIG. 4

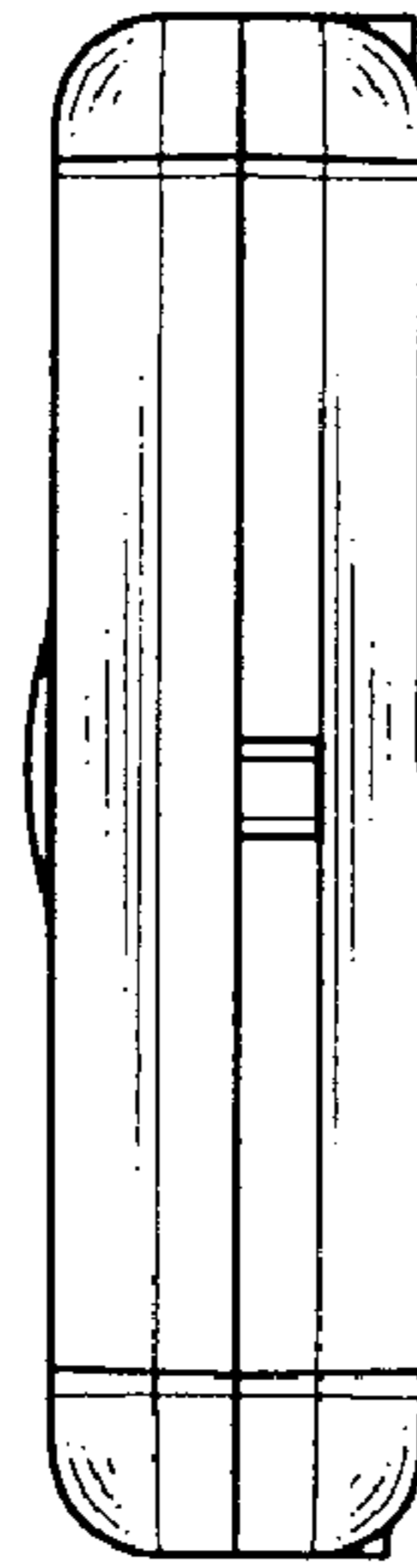


FIG. 5

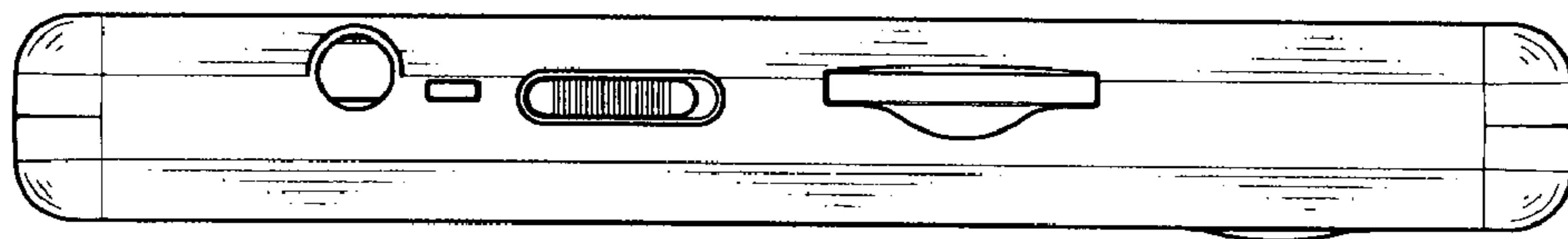


FIG. 6

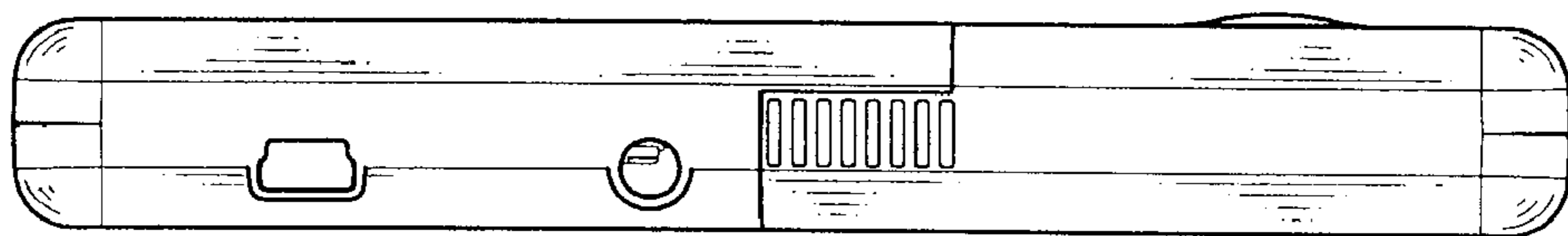


FIG. 7