



US00D531530S

(12) **United States Design Patent**
Malard et al.

(10) **Patent No.:** **US D531,530 S**
(45) **Date of Patent:** **** Nov. 7, 2006**

(54) **ELECTRONIC MEASURING AND/OR LEVELING TOOL**

(76) Inventors: **Fabrice Malard**, 6, rue d'Issy, 92100 Boulogne Billancourt (FR); **Hughes Marie Sanoner**, Units A-C, 18th Floor, CDW Building 388 Castle Rock Road, Tsuen Wan, New Territories (HK); **Man Kwong Ng**, Flat C, 6th Floor, Tower 3, The Parville, 33 Yuen Long Kau Road, New Territories (HK)

(**) Term: **14 Years**

(21) Appl. No.: **29/228,816**

(22) Filed: **Apr. 29, 2005**

(51) **LOC (8) Cl.** **10-04**

(52) **U.S. Cl.** **D10/62**

(58) **Field of Classification Search** D10/52, D10/69-70; 33/291, 295, DIG. 2; 356/249, 356/250, 138; 372/9-30

See application file for complete search history.

(56) **References Cited**

U.S. PATENT DOCUMENTS

D498,151 S * 11/2004 Cook D10/62

* cited by examiner

Primary Examiner—Antoine D. Davis

(74) *Attorney, Agent, or Firm*—Leydig, Voit & Mayer, Ltd.

(57) **CLAIM**

The ornamental design for an electronic measuring and/or leveling tool, as shown and described.

DESCRIPTION

FIG. 1 is a rear end, right side and top perspective view of an electronic measuring and/or leveling tool showing our new design;

FIG. 2 is a top plan view thereof;

FIG. 3 is a bottom plan view thereof;

FIG. 4 is a right side elevational view thereof;

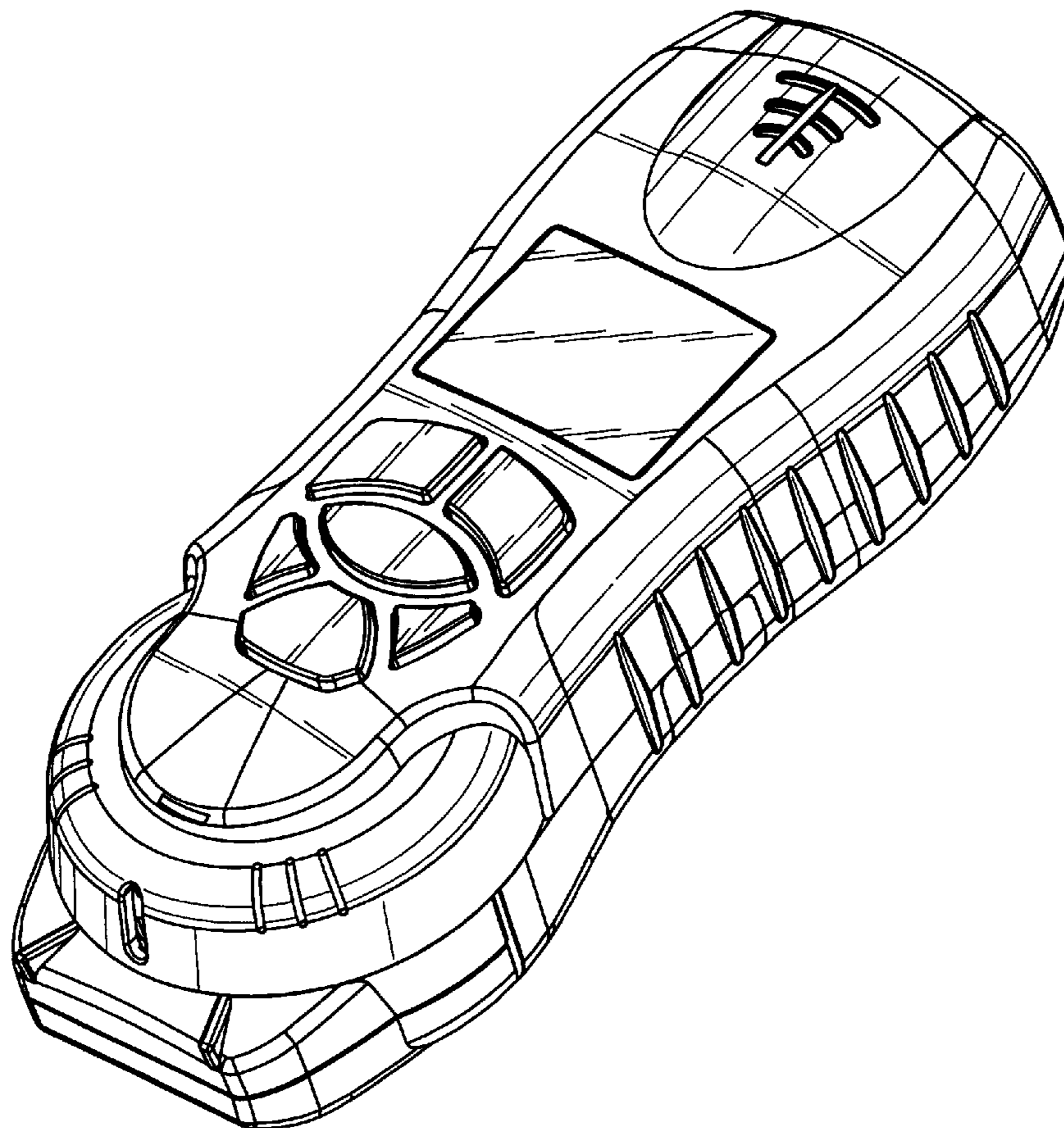
FIG. 5 is a left side elevational view thereof;

FIG. 6 is a rear end elevational view thereof; and,

FIG. 7 is a front end elevational view thereof.

The broken line showing is for illustrative purposes only and forms no part of the claimed design.

1 Claim, 4 Drawing Sheets



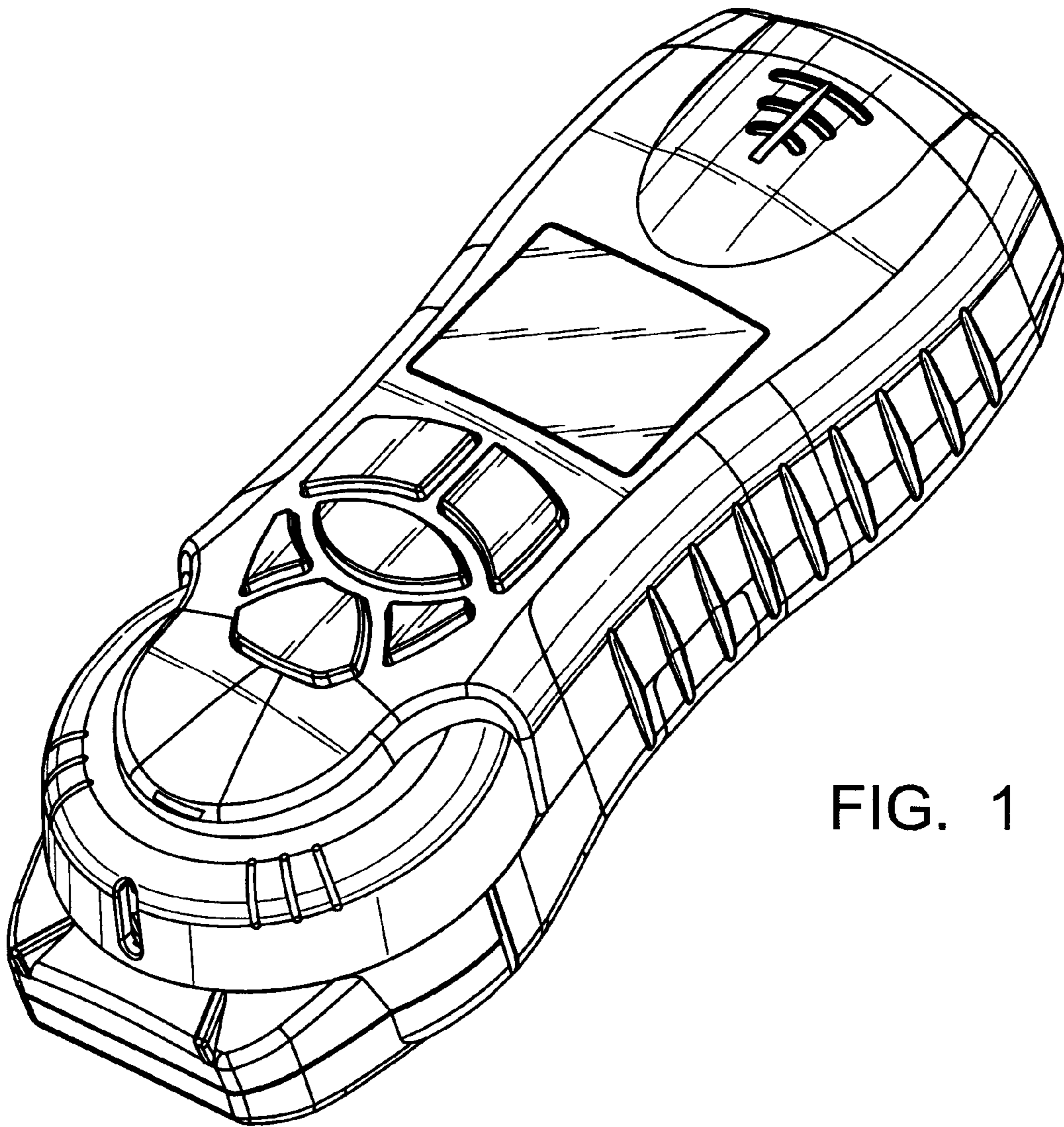


FIG. 1

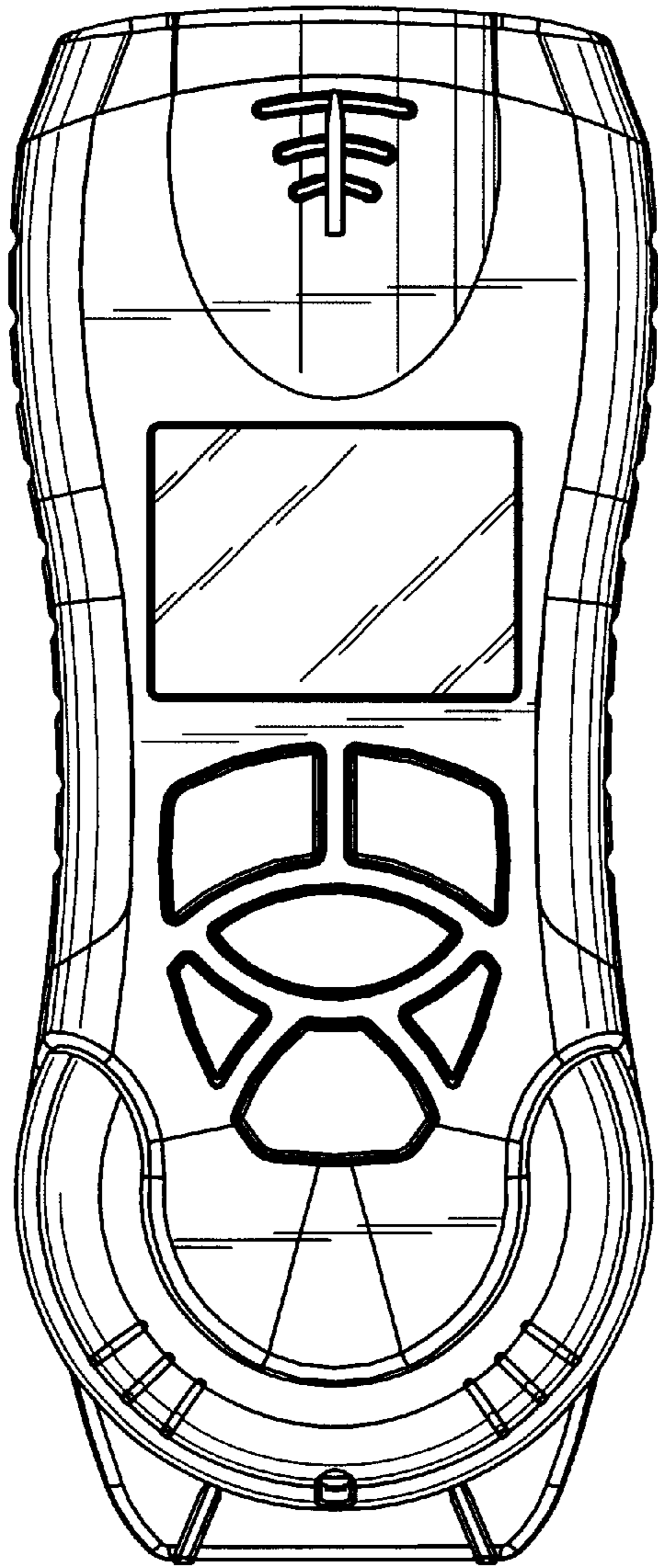


FIG. 2

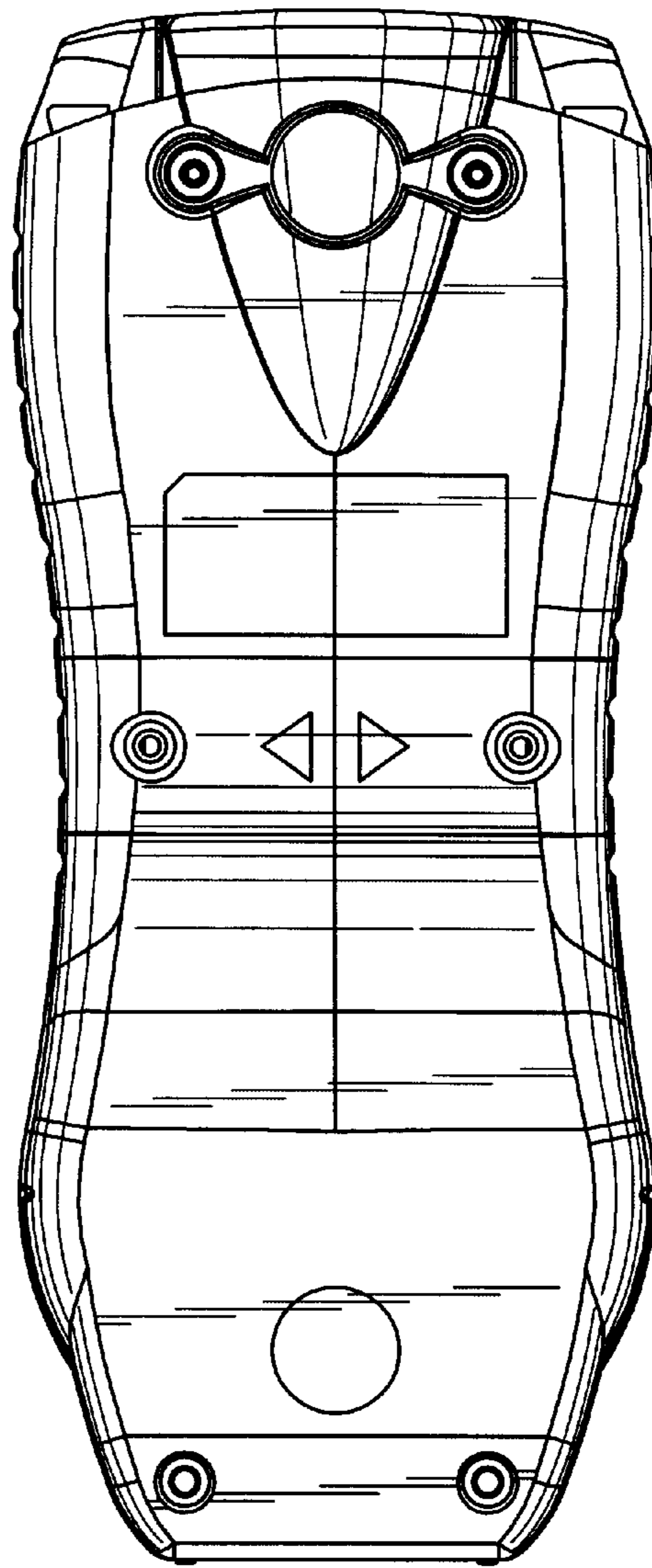


FIG. 3

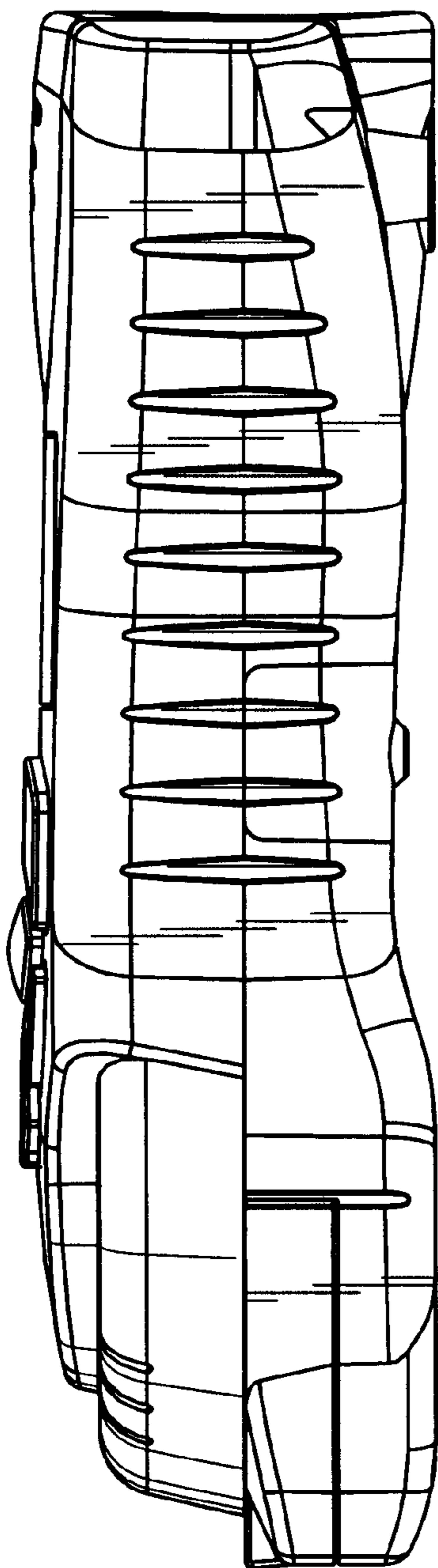


FIG. 4

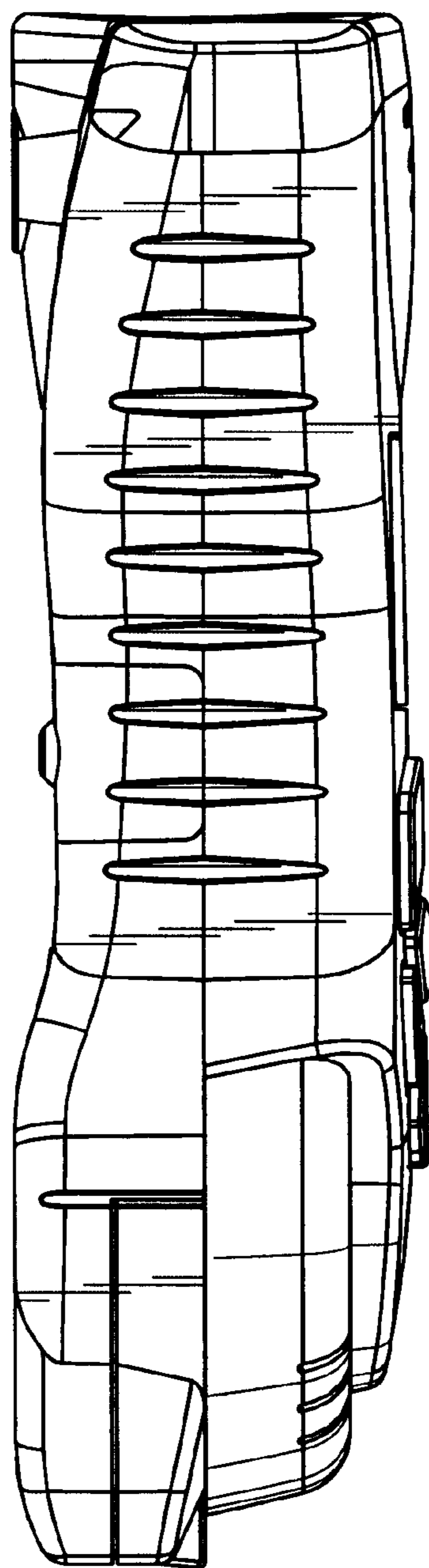


FIG. 5

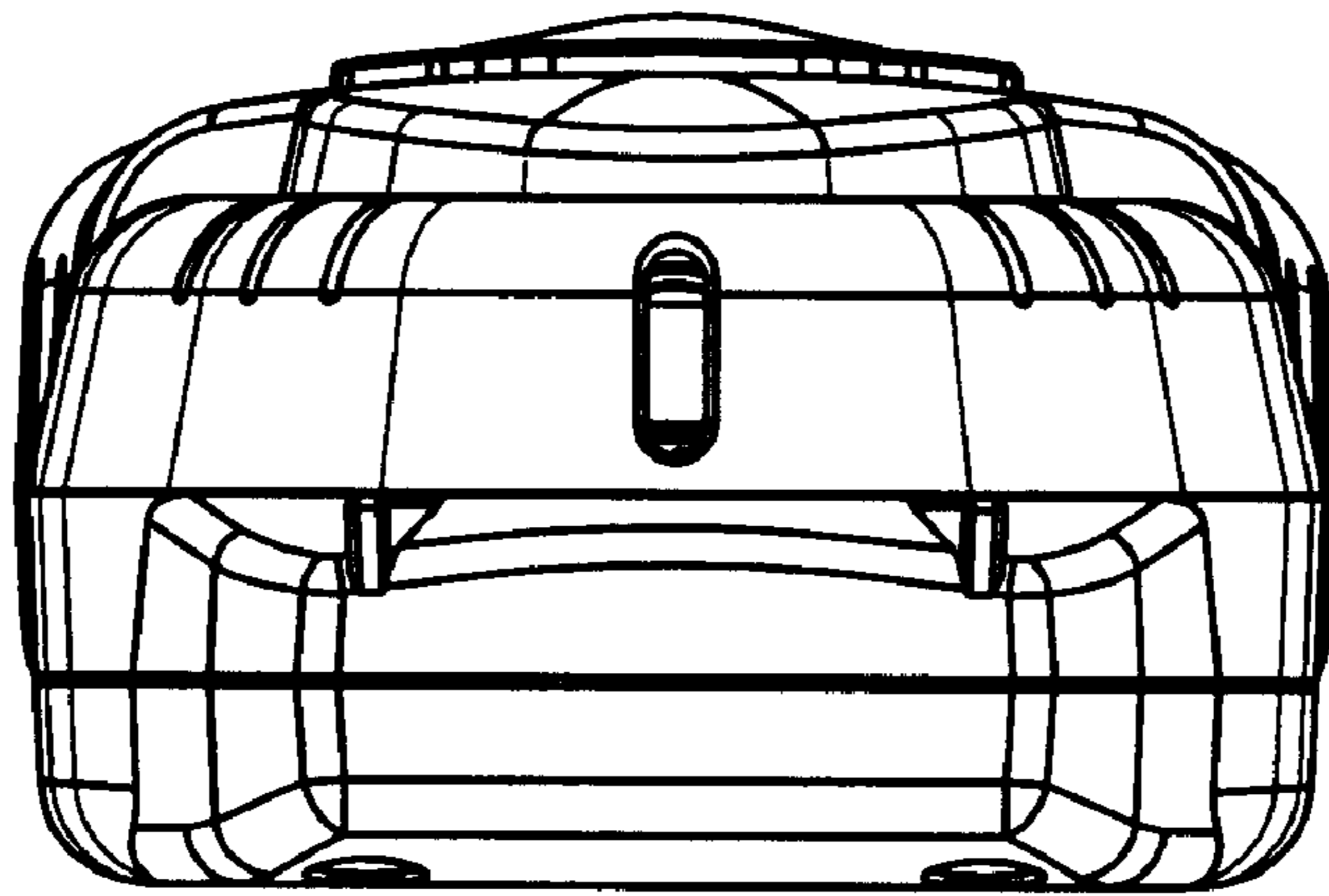


FIG. 6

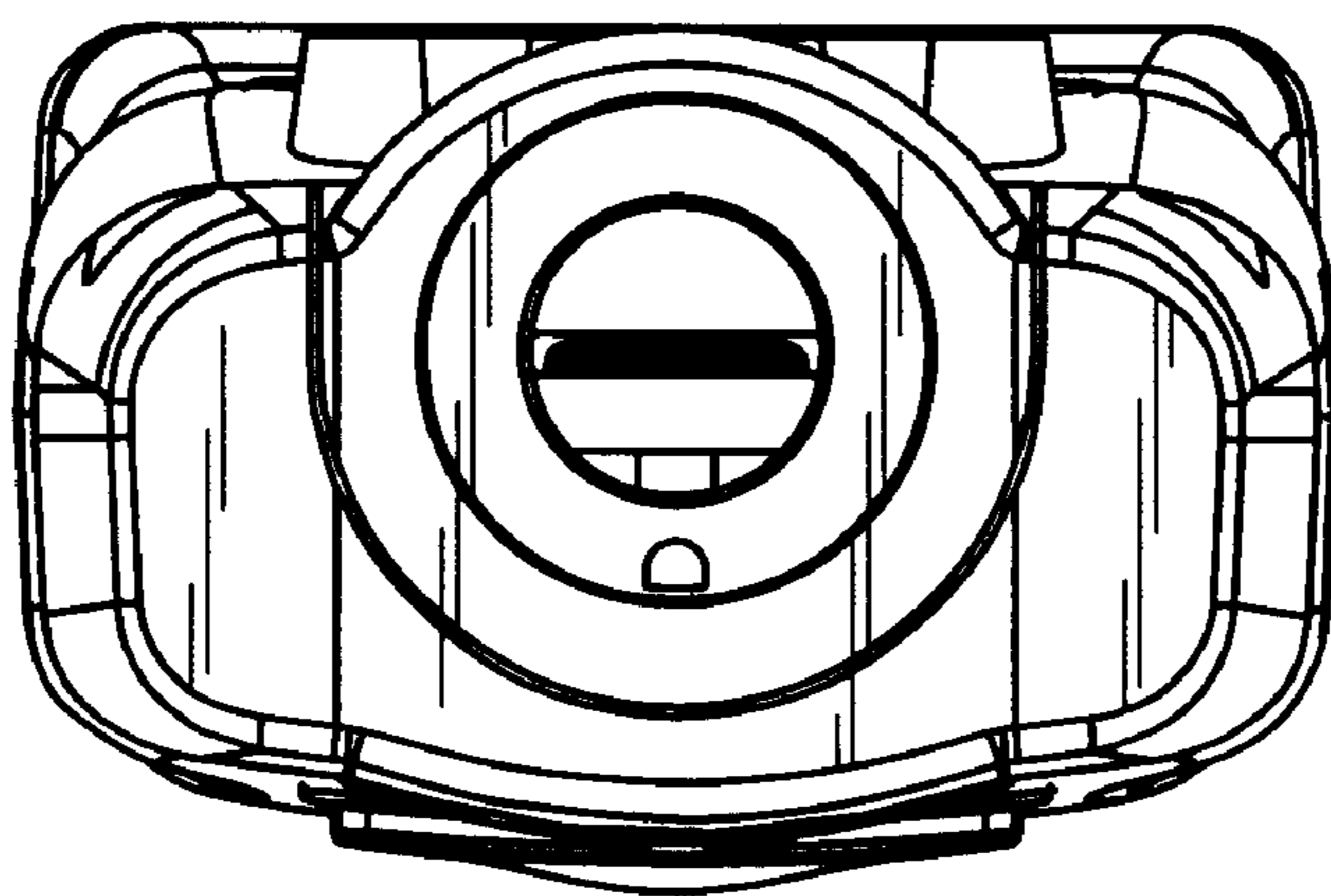


FIG. 7