



US00D531524S

(12) **United States Design Patent**
Behling

(10) **Patent No.:** **US D531,524 S**

(45) **Date of Patent:** **** Nov. 7, 2006**

(54) **WATCH CASE**

(75) Inventor: **Christoph Behling**, London (GB)

(73) Assignee: **Tag Heuer SA** (CH)

(**) Term: **14 Years**

(21) Appl. No.: **29/239,384**

(22) Filed: **Sep. 29, 2005**

(30) **Foreign Application Priority Data**

Mar. 30, 2005 (WO) DM/066 491

(51) **LOC (8) Cl.** **10-02**

(52) **U.S. Cl.** **D10/38**

(58) **Field of Classification Search** D10/30-39,
D10/123-126; 368/276, 277, 281-283, 285,
368/10, 21, 28-30, 223, 228, 239-242

See application file for complete search history.

(56) **References Cited**

U.S. PATENT DOCUMENTS

2,232,300	A	*	2/1941	Arbey	368/228
4,218,873	A	*	8/1980	Lang	368/281
D278,130	S	*	3/1985	Houlihan et al.	D10/38
D289,018	S	*	3/1987	Williams	D10/31
D351,799	S	*	10/1994	Bulgari	D10/39
D375,053	S	*	10/1996	Voegeli	D10/30
D462,909	S	*	9/2002	Cattin	D10/39

D473,802	S	*	4/2003	Berliat	D10/39
D500,682	S	*	1/2005	Lalo	D10/30
D508,212	S	*	8/2005	Scheufele	D10/39
D515,947	S	*	2/2006	Jorst et al.	D10/39
D518,389	S	*	4/2006	Jorst et al.	D10/38
D519,390	S	*	4/2006	Lovegrove	D10/39

FOREIGN PATENT DOCUMENTS

JP 59155781 A * 9/1984

* cited by examiner

Primary Examiner—Lucy Lieberman

(74) *Attorney, Agent, or Firm*—Lott & Friedland PA

(57) **CLAIM**

The ornamental design for a watch case, substantially as shown and described.

DESCRIPTION

FIG. 1 is a perspective view of the watch case of the present invention;

FIG. 2 is a front view of the watch case shown in FIG. 1;

FIG. 3 is a rear view of the watch case shown in FIG. 1;

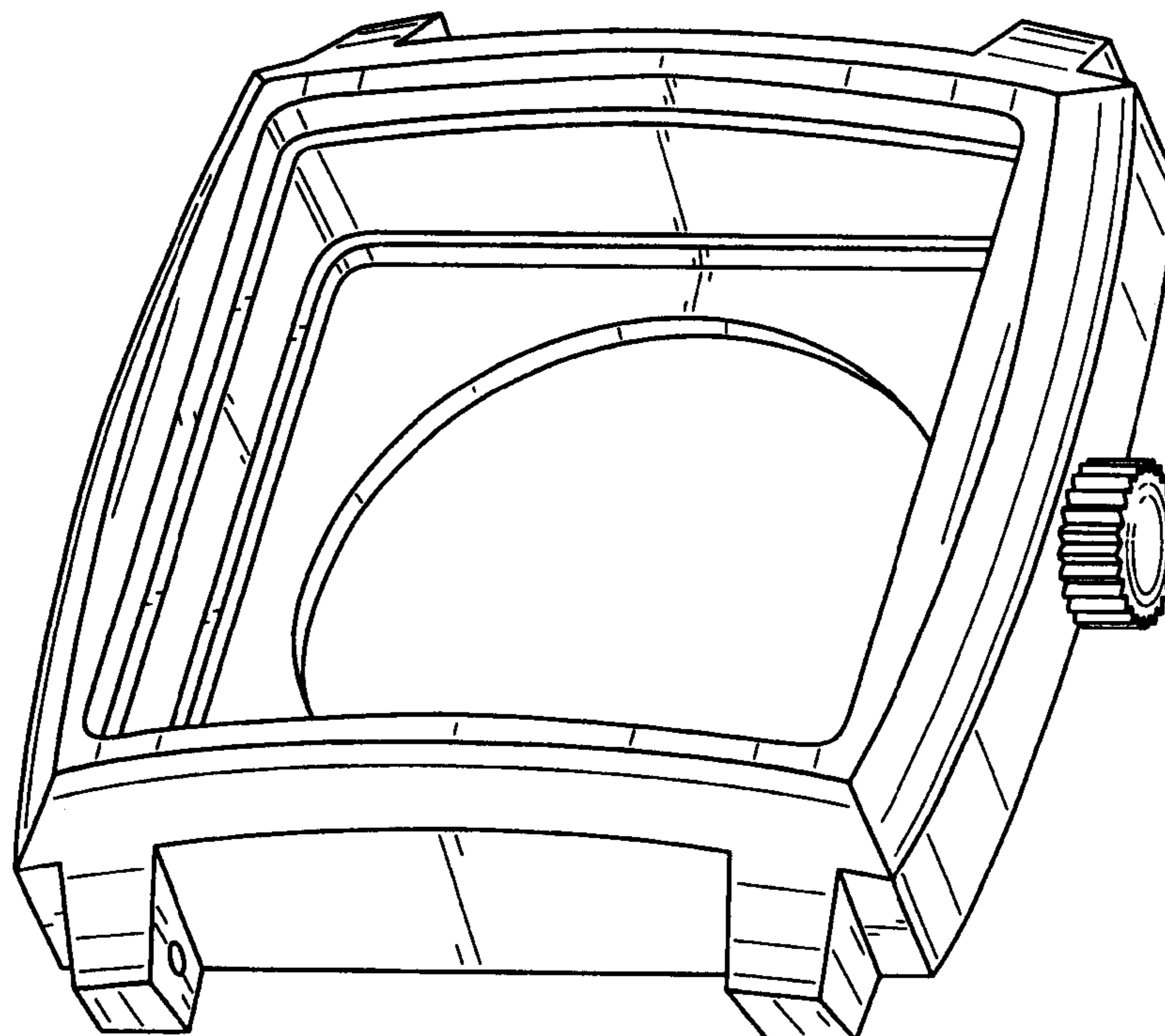
FIG. 4 is a left side elevational view of the watch case shown in FIG. 1;

FIG. 5 is a right side elevational view of the watch case shown in FIG. 1;

FIG. 6 is a top view of the watch case shown in FIG. 1; and,

FIG. 7 is a bottom view of the watch case shown in FIG. 1.

1 Claim, 7 Drawing Sheets



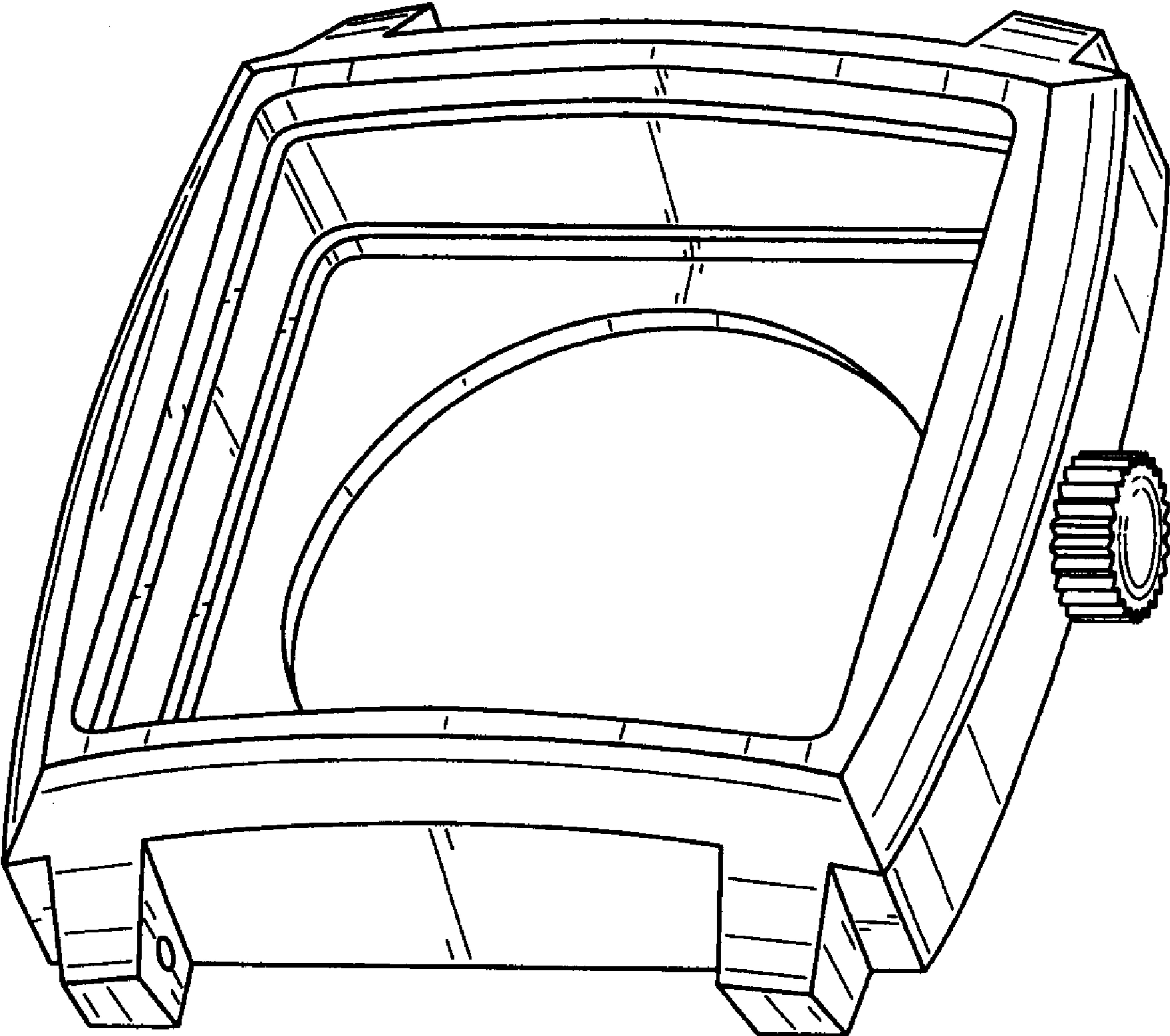


FIG. 1

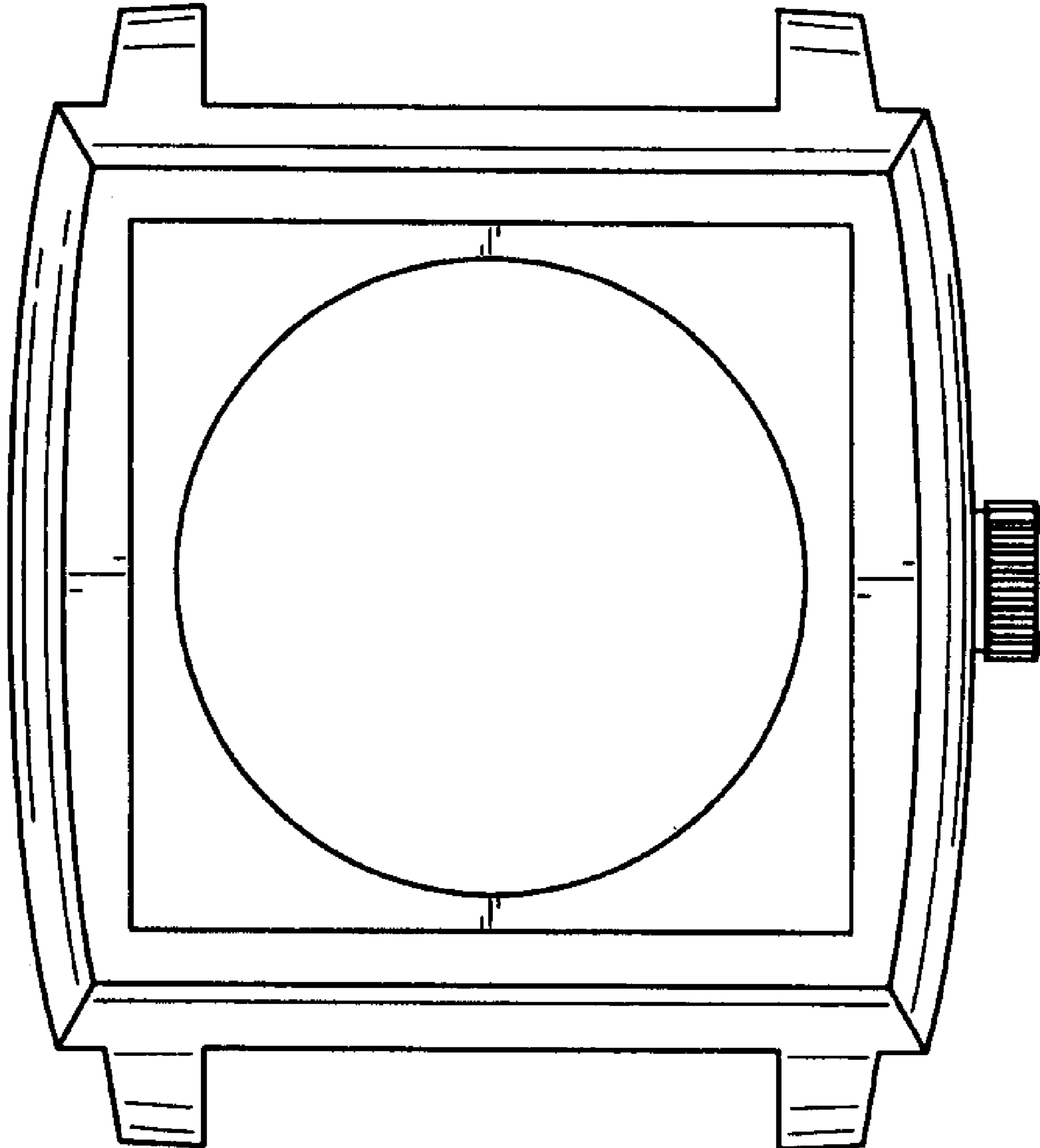


FIG. 2

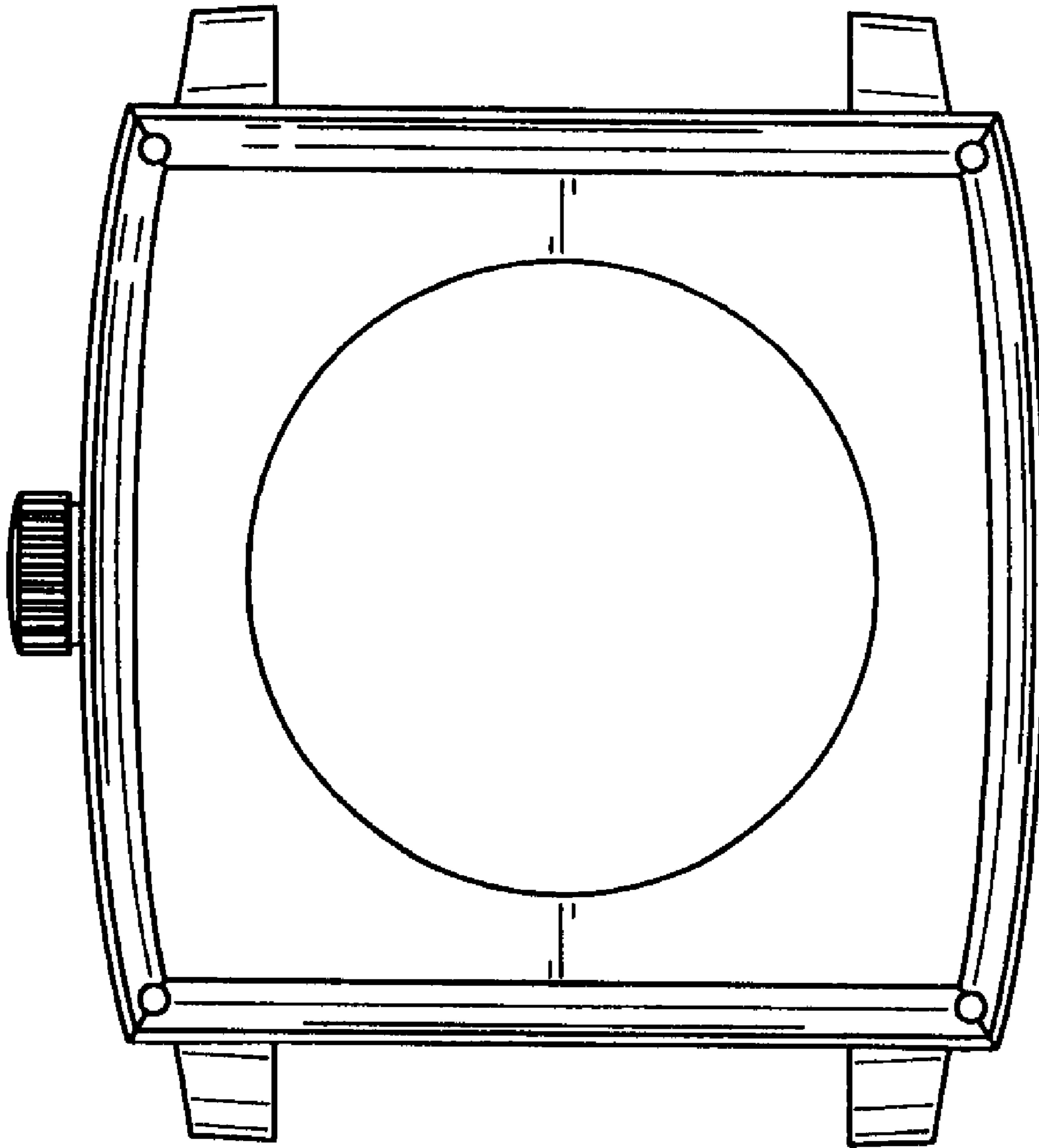


FIG. 3

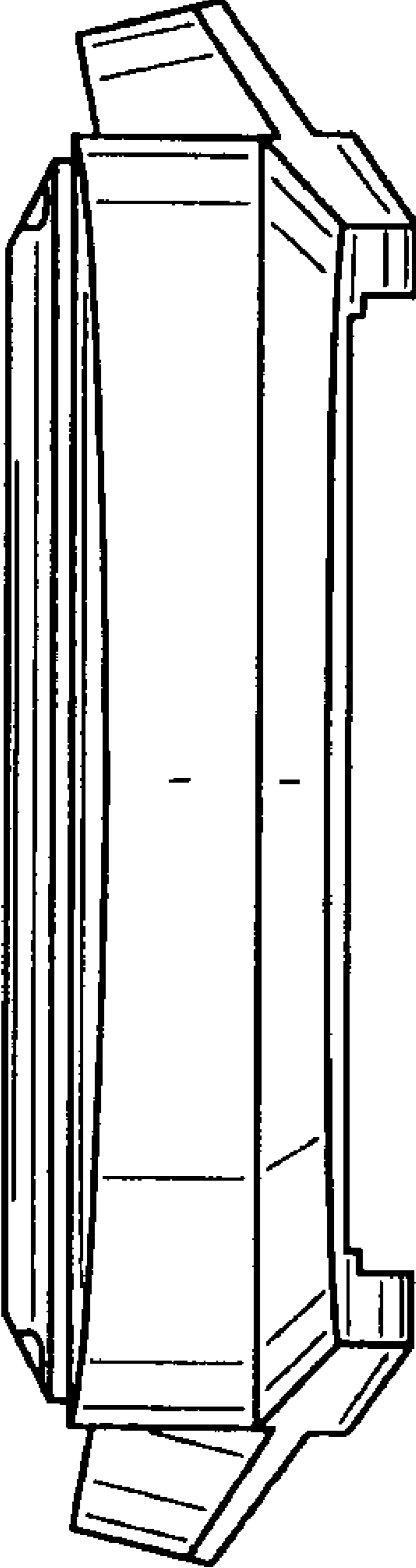


FIG. 4

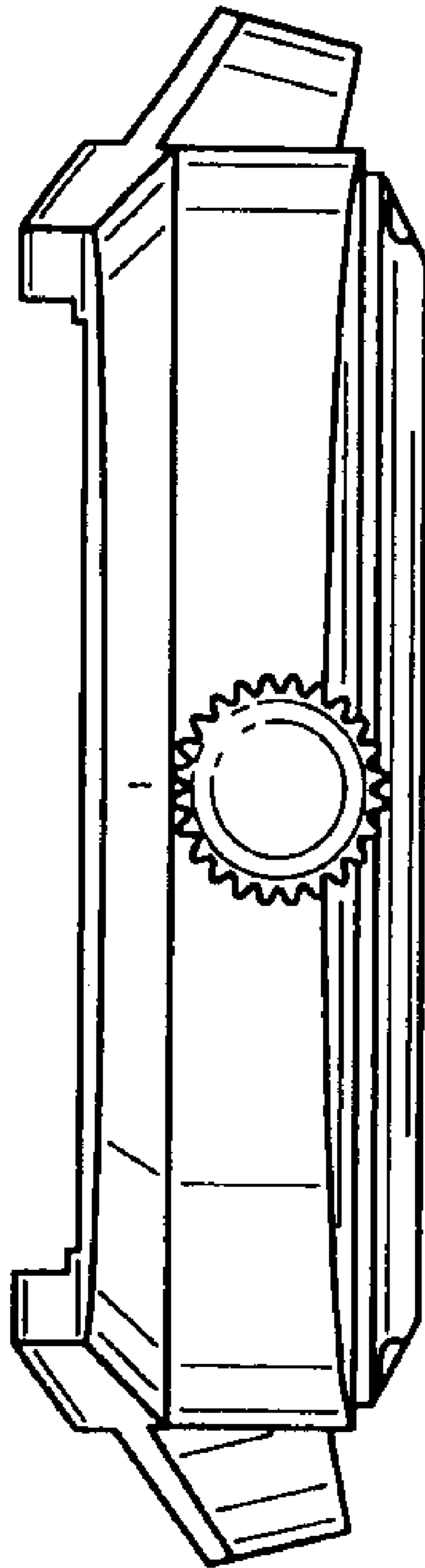


FIG. 5

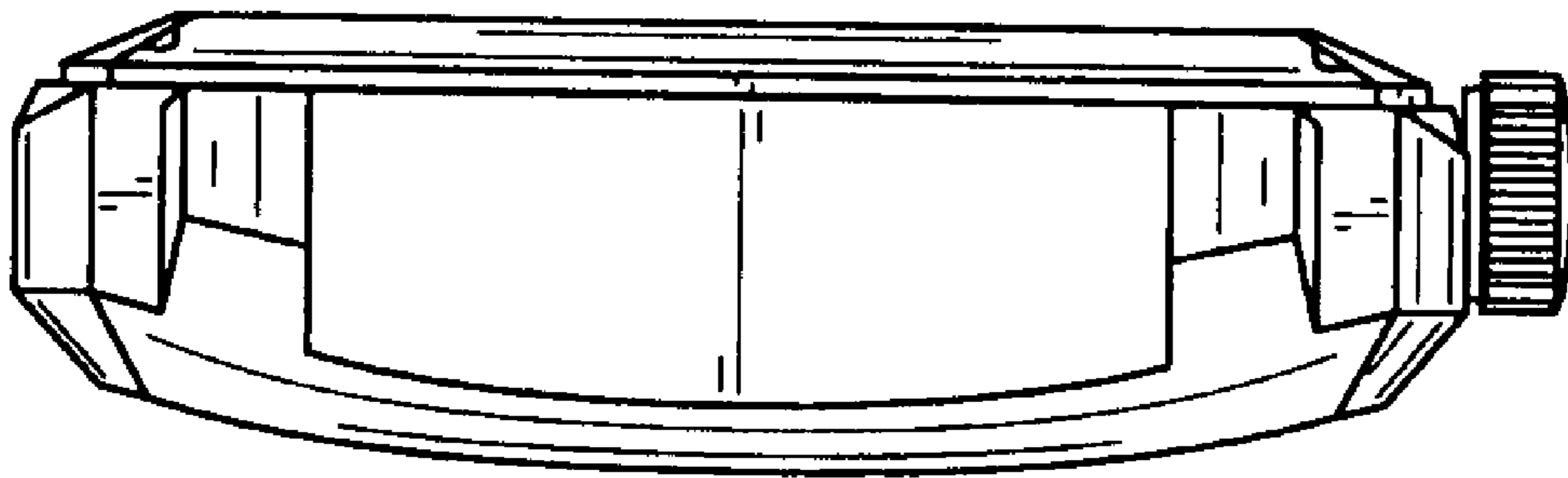


FIG. 6

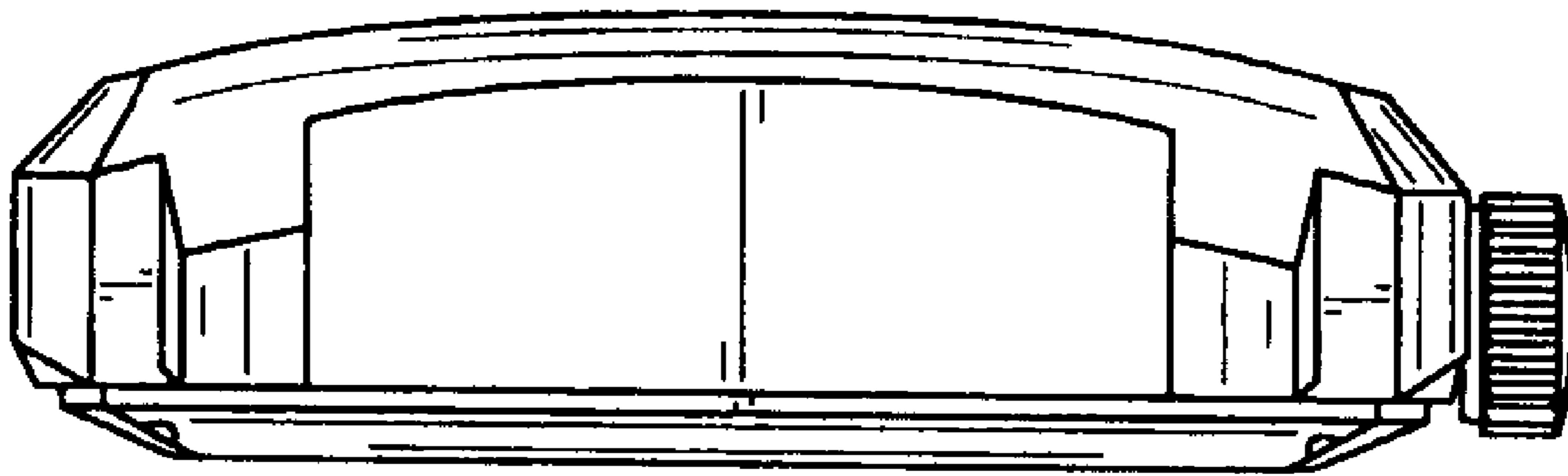


FIG. 7