



US00D531523S

(12) **United States Design Patent**
Bhavnani

(10) **Patent No.:** **US D531,523 S**

(45) **Date of Patent:** **** Nov. 7, 2006**

(54) **CLOCK WITH DUAL BASE**

(75) **Inventor:** **Dilip Bhavnani**, Beverly Hills, CA
(US)

(73) **Assignee:** **Sun Coast Merchandise Corporation**,
Commerce, CA (US)

(**) **Term:** **14 Years**

(21) **Appl. No.:** **29/256,044**

(22) **Filed:** **Mar. 14, 2006**

(51) **LOC (8) Cl.** **10-01**

(52) **U.S. Cl.** **D10/15; D10/24; D10/26**

(58) **Field of Classification Search** D10/1-29;
368/276, 285, 316, 317, 278, 10, 79, 239-242,
368/82-84, 277

See application file for complete search history.

(56) **References Cited**

U.S. PATENT DOCUMENTS

- D225,362 S * 12/1972 Watanabeo D10/15
- D228,515 S * 10/1973 Watanaabe D10/3
- D228,567 S * 10/1973 Nagata D10/3

- D229,212 S * 11/1973 Nagata D10/15
- 3,797,223 A * 3/1974 Oliveri 368/262
- D232,814 S * 9/1974 Watanabe D10/15
- D240,662 S * 7/1976 Hoshino D14/171
- D249,651 S * 9/1978 Hirosawa D10/15
- D249,775 S * 10/1978 Hirosawa D10/15
- D261,766 S * 11/1981 Miyanaga et al. D14/171
- D263,124 S * 2/1982 Dennis D10/1

* cited by examiner

Primary Examiner—Lucy Lieberman

(74) *Attorney, Agent, or Firm*—The Soni Law Firm

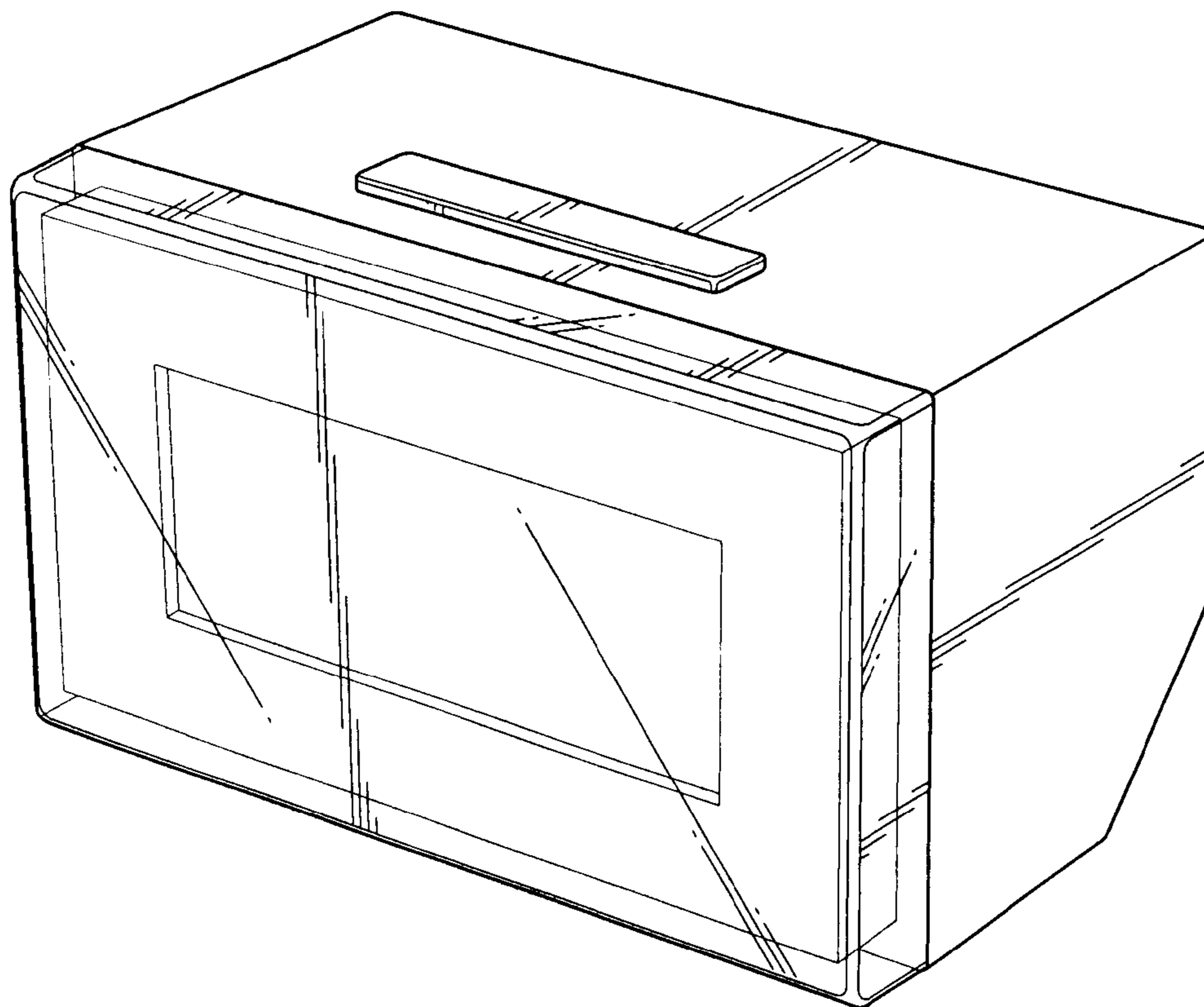
(57) **CLAIM**

The ornamental design for a clock with dual base, as shown and described.

DESCRIPTION

FIG. 1 is a front side perspective view thereof;
FIG. 2 is a front elevational view thereof;
FIG. 3 is a top plan view thereof;
FIG. 4 is a side elevational view thereof;
FIG. 5 is a back elevational view thereof; and,
FIG. 6 is a bottom plan view thereof.

1 Claim, 3 Drawing Sheets



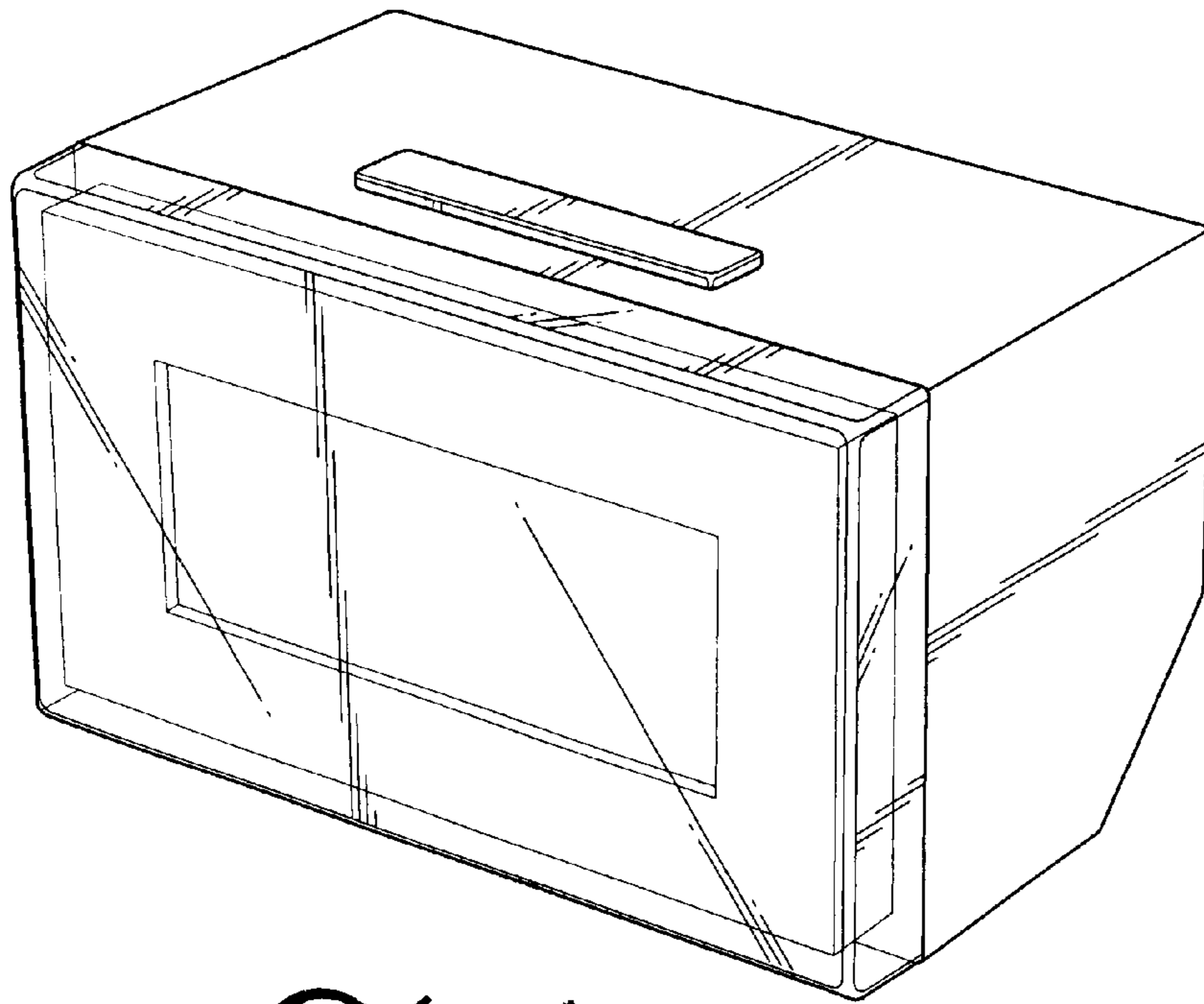


FIG. 1

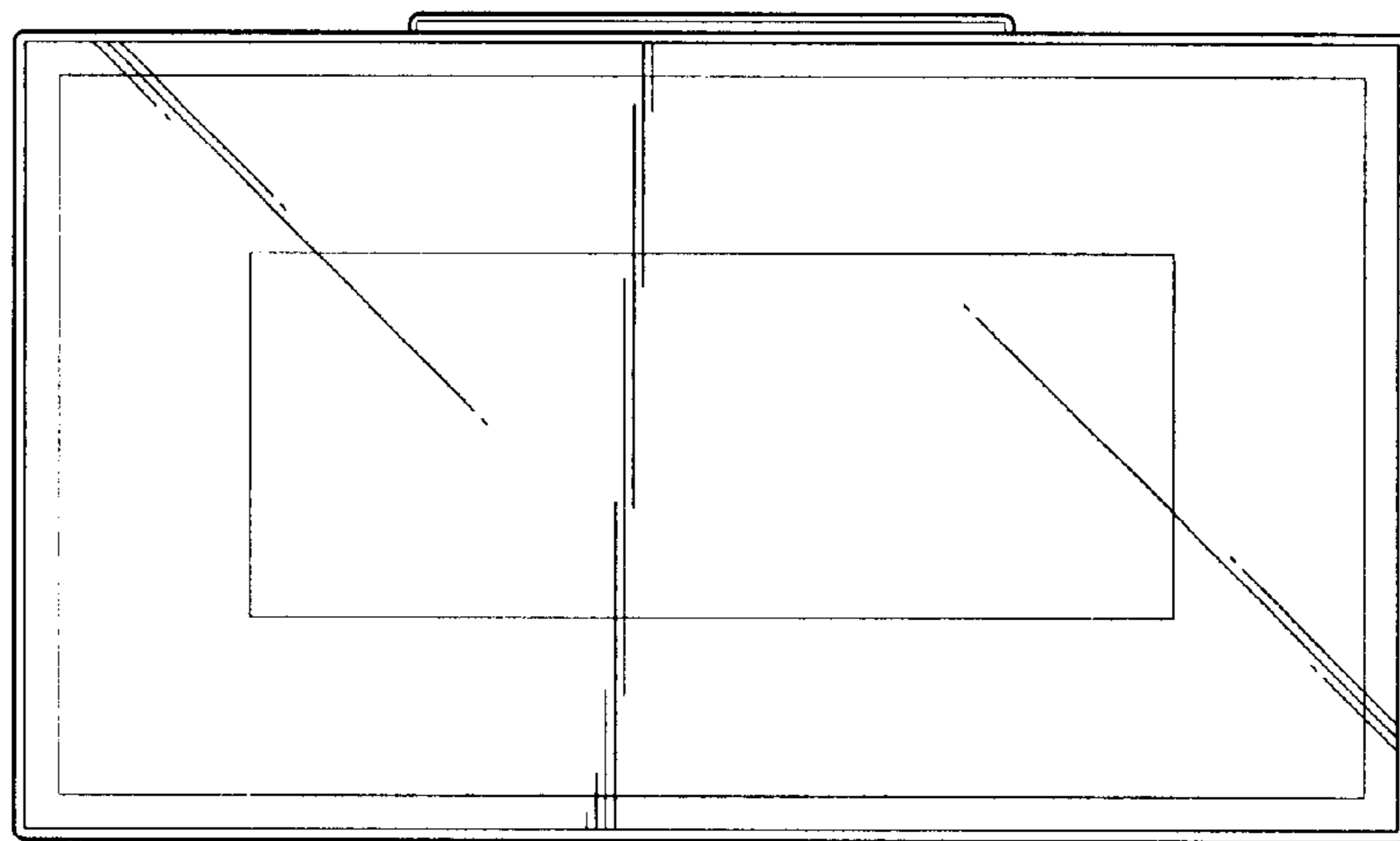


FIG. 2

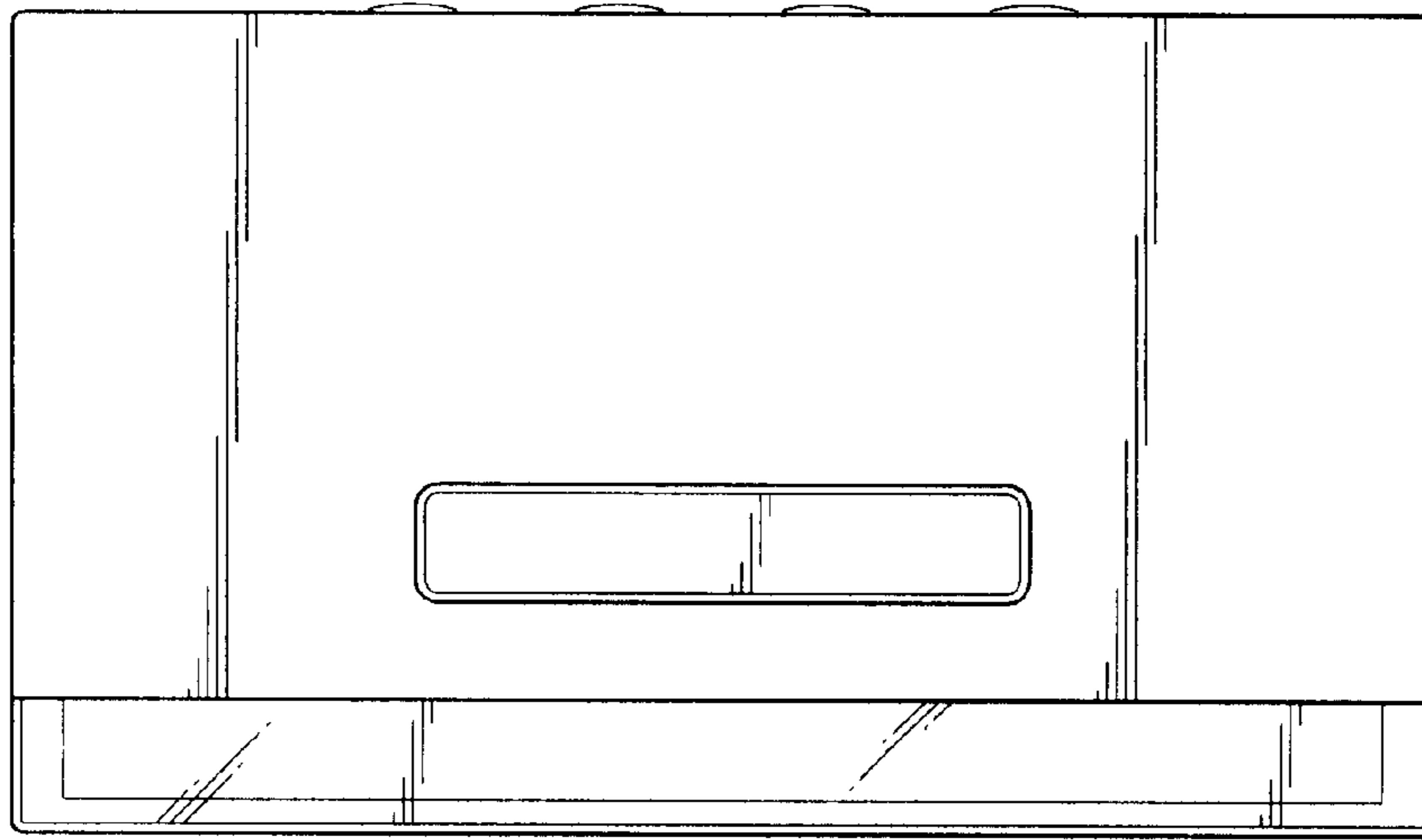


FIG. 3

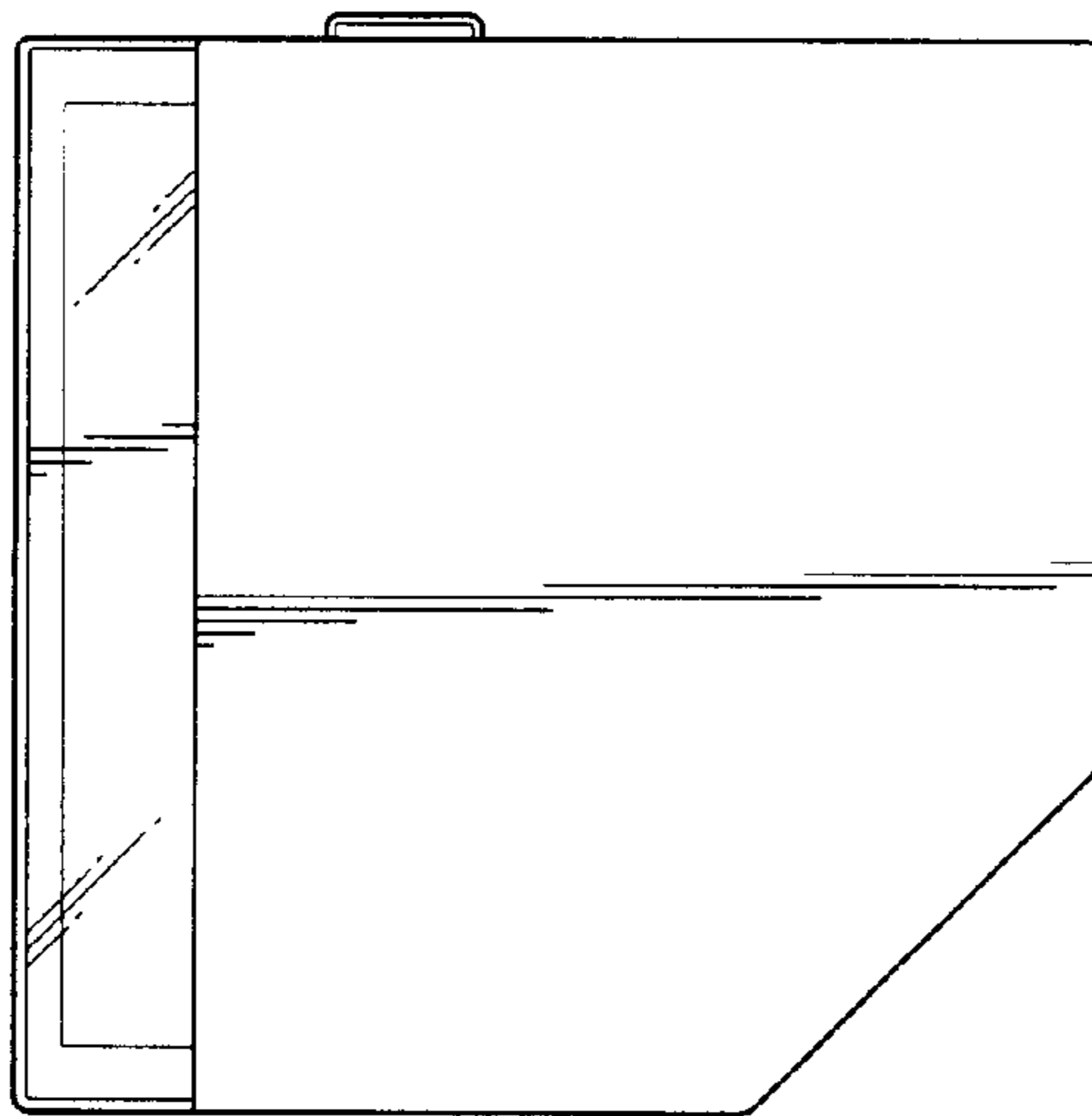


FIG. 4

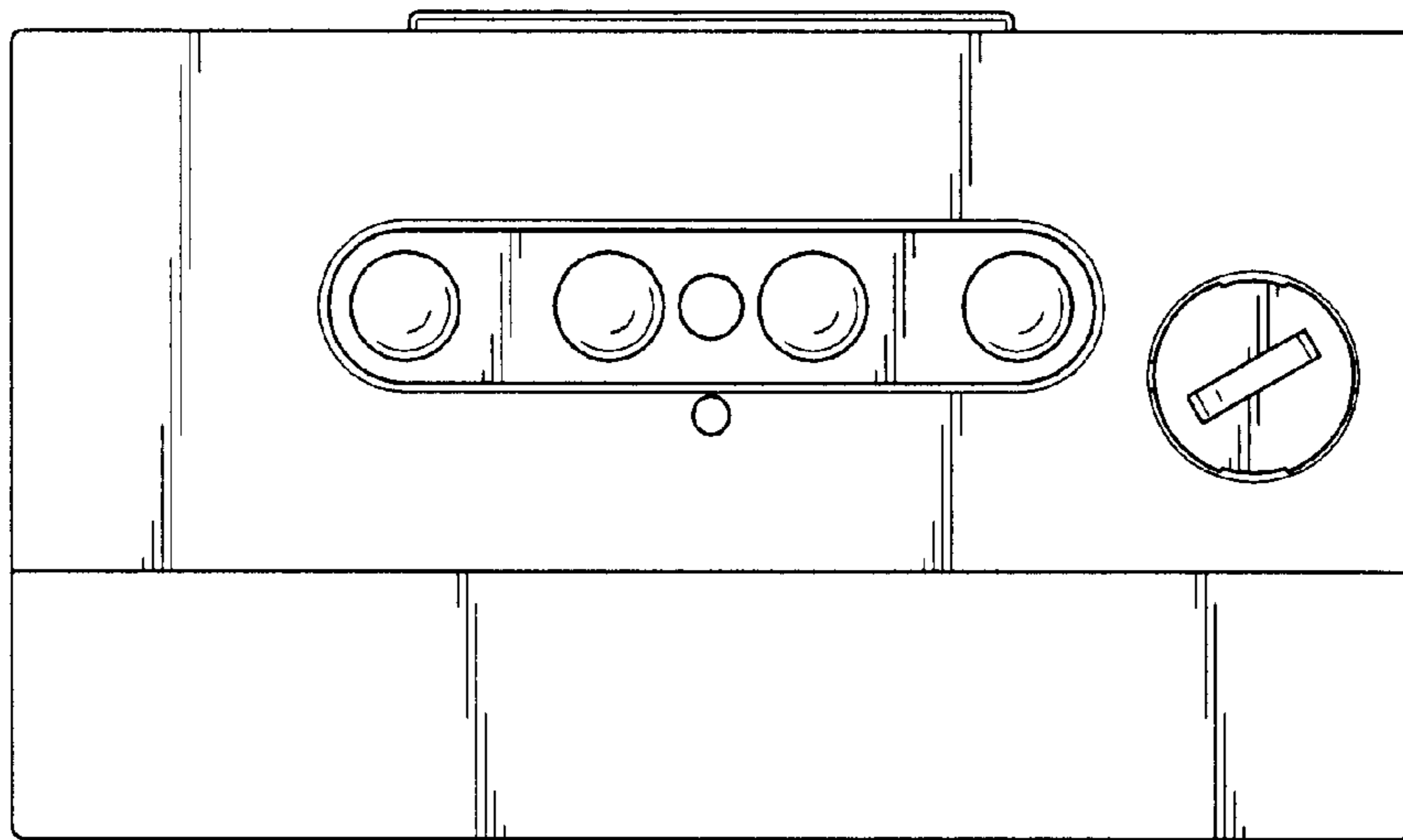


FIG. 5

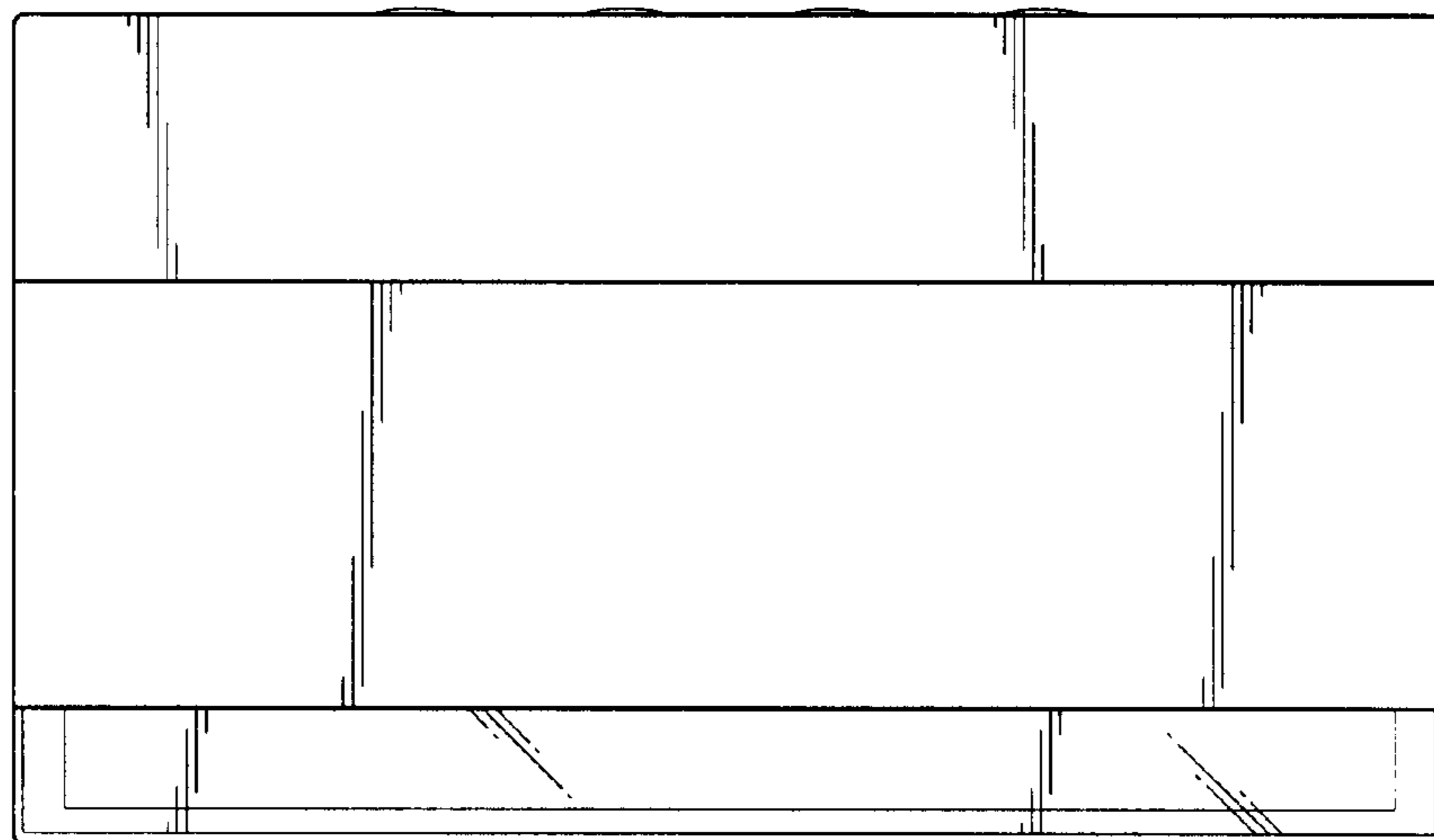


FIG. 6