



US00D531522S

(12) **United States Design Patent**  
**Starr**

(10) **Patent No.:** **US D531,522 S**  
(45) **Date of Patent:** **\*\* Nov. 7, 2006**

(54) **BULLET MIRROR CLOCK**

FOREIGN PATENT DOCUMENTS

(75) Inventor: **David Starr**, Shawnee, KS (US)

JP 55051636 A \* 4/1980

\* cited by examiner

(73) Assignee: **Schroeder & Tremayne, Inc.**, St. Louis, MO (US)

*Primary Examiner*—Lucy Lieberman

(74) *Attorney, Agent, or Firm*—Thompson Coburn LLP

(\*\*) Term: **14 Years**

(57) **CLAIM**

(21) Appl. No.: **29/231,584**

The ornamental design for a bullet mirror clock, as shown and described.

(22) Filed: **Jun. 7, 2005**

**DESCRIPTION**

(51) **LOC (8) Cl.** ..... **10-01**

(52) **U.S. Cl.** ..... **D10/6; D10/23**

(58) **Field of Classification Search** ..... D10/1–29;  
368/276, 285, 179–183, 316, 317, 239–242,  
368/278, 10, 82–84; D12/187, 189  
See application file for complete search history.

FIG. 1 is a perspective view of a bullet mirror clock in accordance with one embodiment of the present invention; FIG. 2 is a side view of the bullet mirror clock of FIG. 1; FIG. 3 is a top view of the bullet mirror clock of FIG. 1; FIG. 4 is a back view of the bullet mirror clock of FIG. 1; FIG. 5 is a front view of the bullet mirror clock of FIG. 1; FIG. 6 is a perspective view of a bullet mirror clock in accordance with another embodiment of the present invention;

(56) **References Cited**

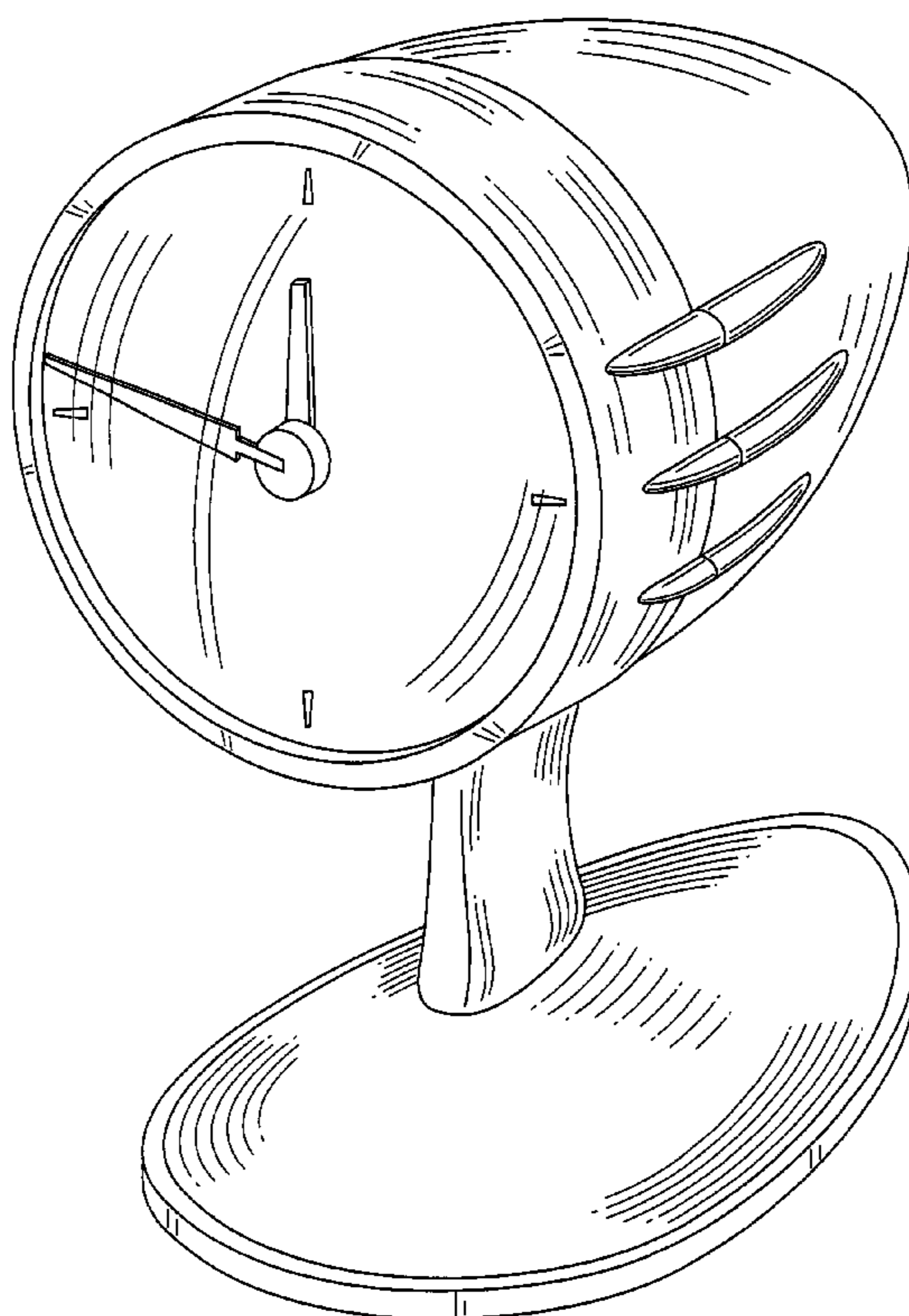
U.S. PATENT DOCUMENTS

D57,686 S	*	4/1921	Lord	.....	D10/57
D73,457 S	*	9/1927	Weiss	.....	D10/19
D144,210 S	*	3/1946	Murray	.....	D10/23
2,687,470 A	*	8/1954	Weisz	.....	368/67
D176,407 S	*	12/1955	Fletcher	.....	D10/23
D206,321 S	*	11/1966	Neale	.....	D12/189
3,586,848 A	*	6/1971	Loftis	.....	362/29
D233,026 S	*	10/1974	Blessing	.....	D10/23
4,084,886 A	*	4/1978	Grosch et al.	.....	359/606
D498,147 S	*	11/2004	Hampf et al.	.....	D10/23

FIG. 7 is a side view of the bullet mirror clock of FIG. 6; FIG. 8 is a top view of the bullet mirror clock of FIG. 6; FIG. 9 is a back view of the bullet mirror clock of FIG. 6; and,

FIG. 10 is a front view of the bullet mirror clock of FIG. 6. It will be understood that the dashed lines presented in the drawings are for illustration only, and do not form a part of the claimed design.

**1 Claim, 4 Drawing Sheets**



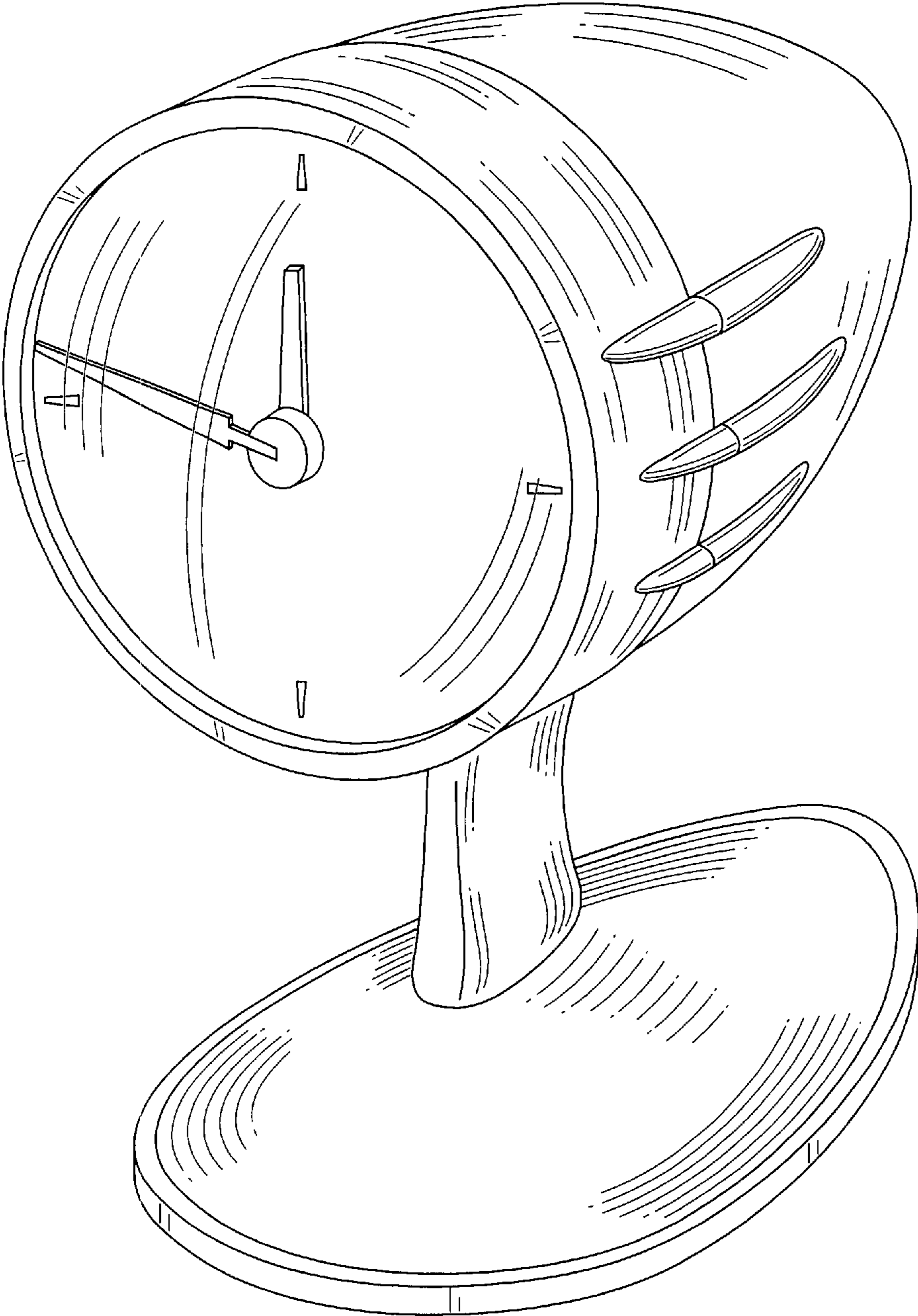


Figure 1

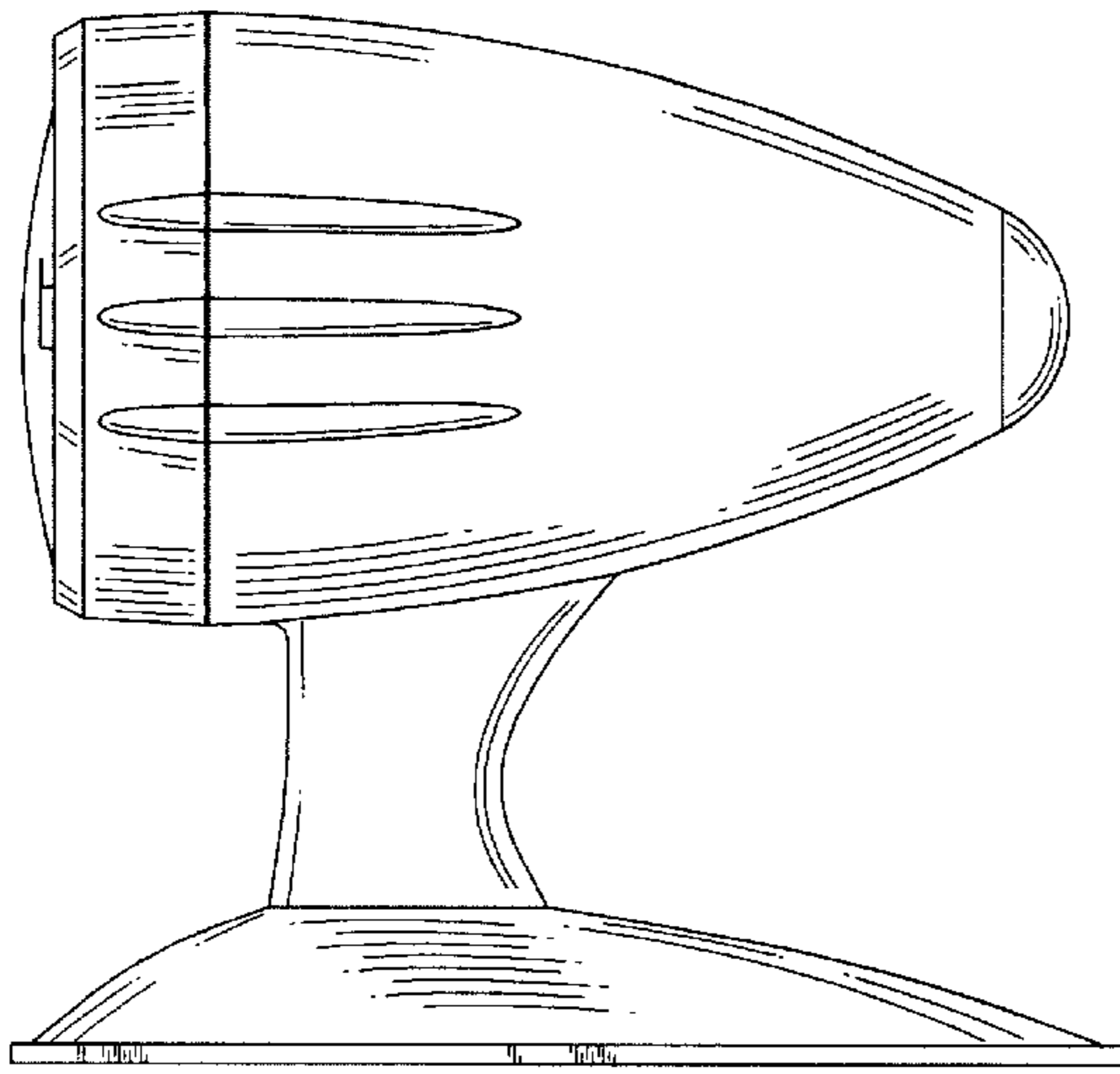


Figure 2

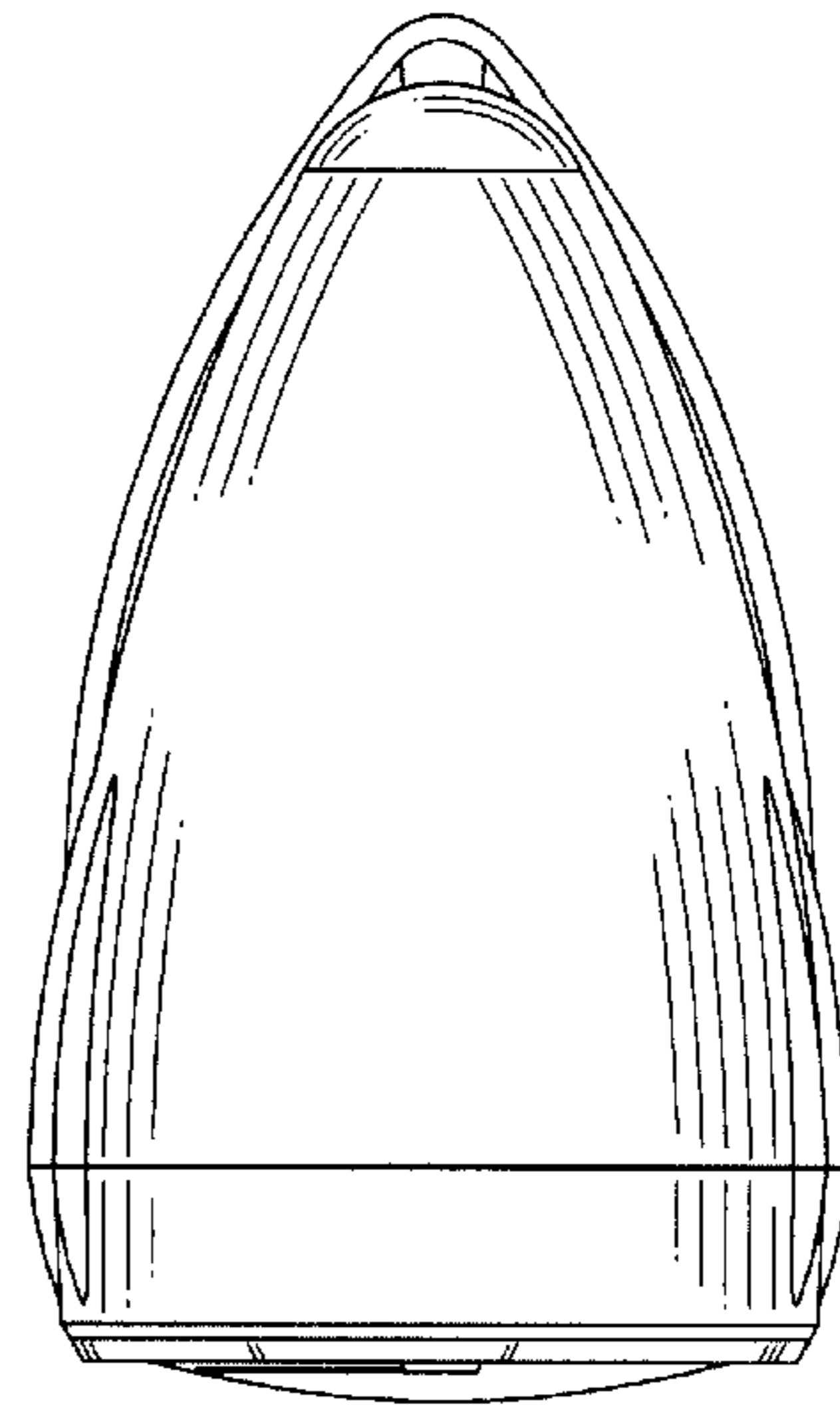


Figure 3

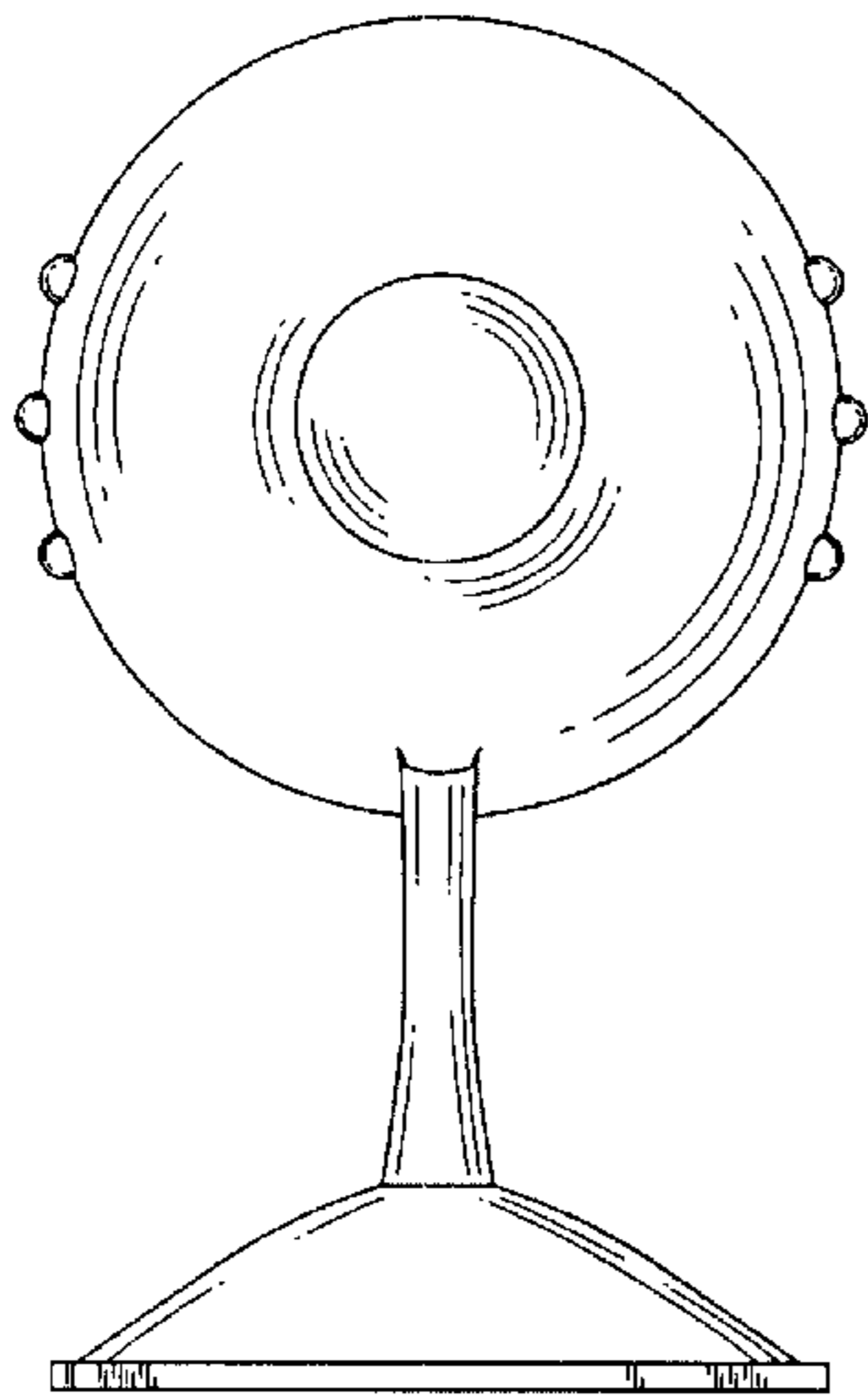


Figure 4

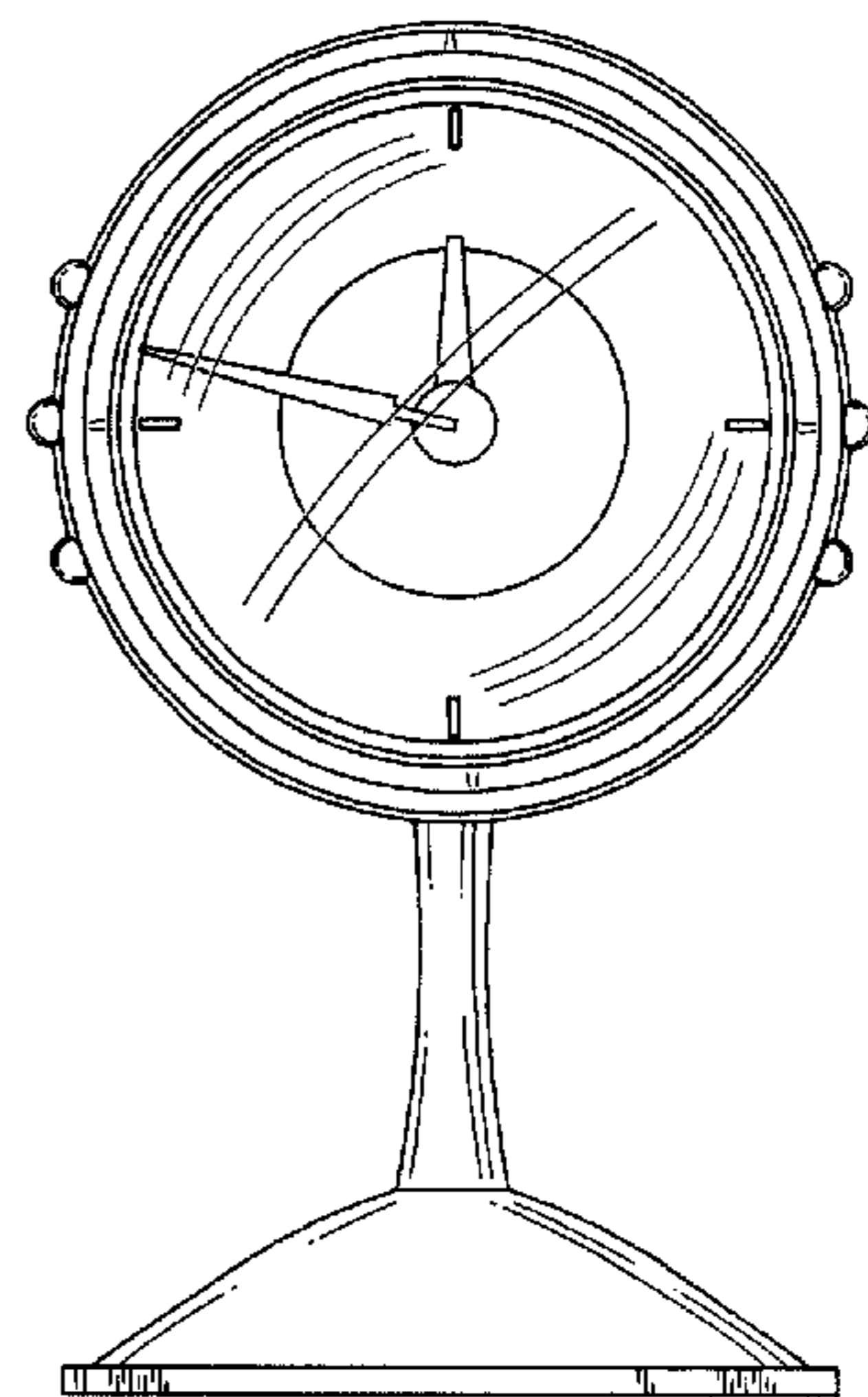


Figure 5

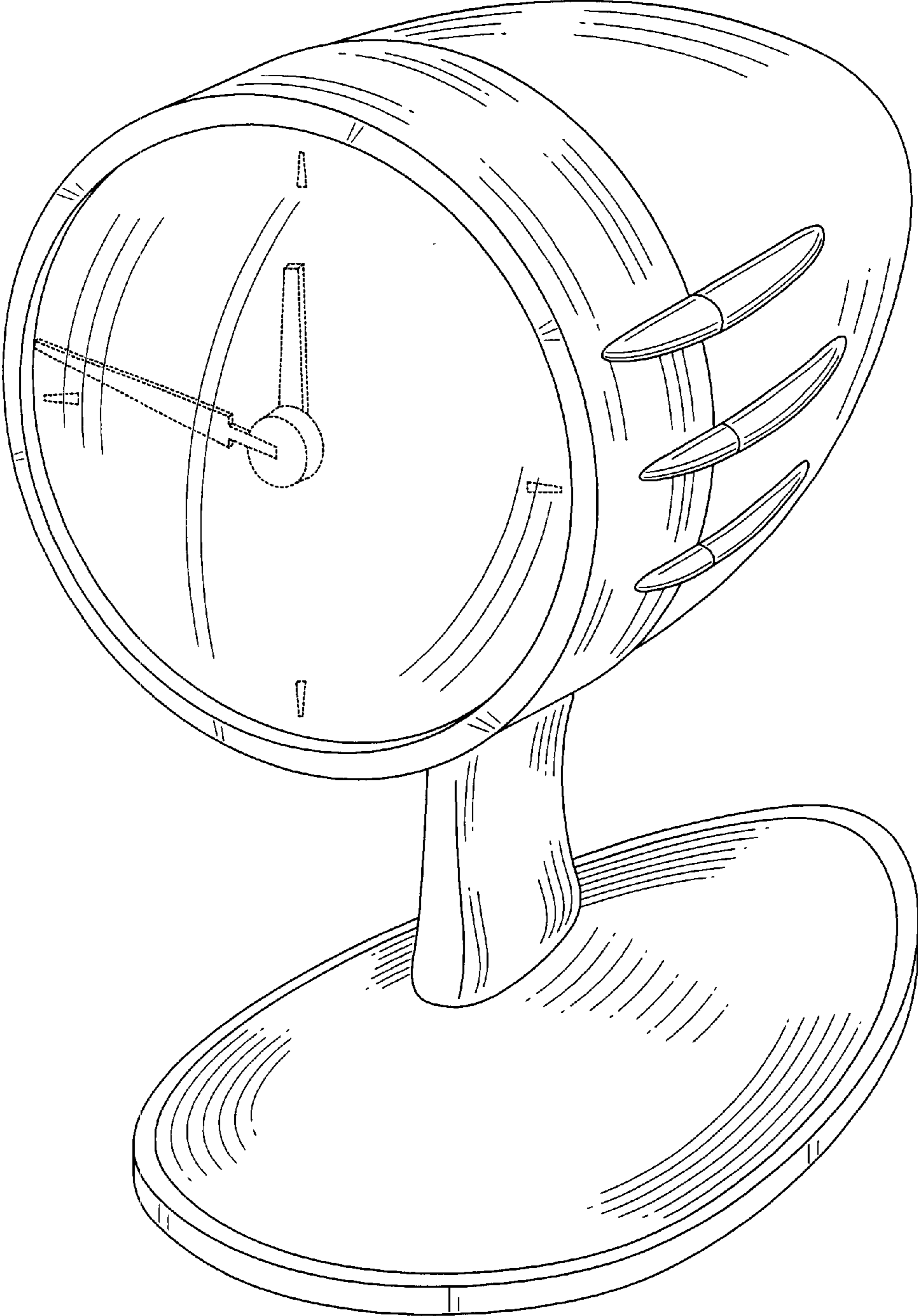


Figure 6



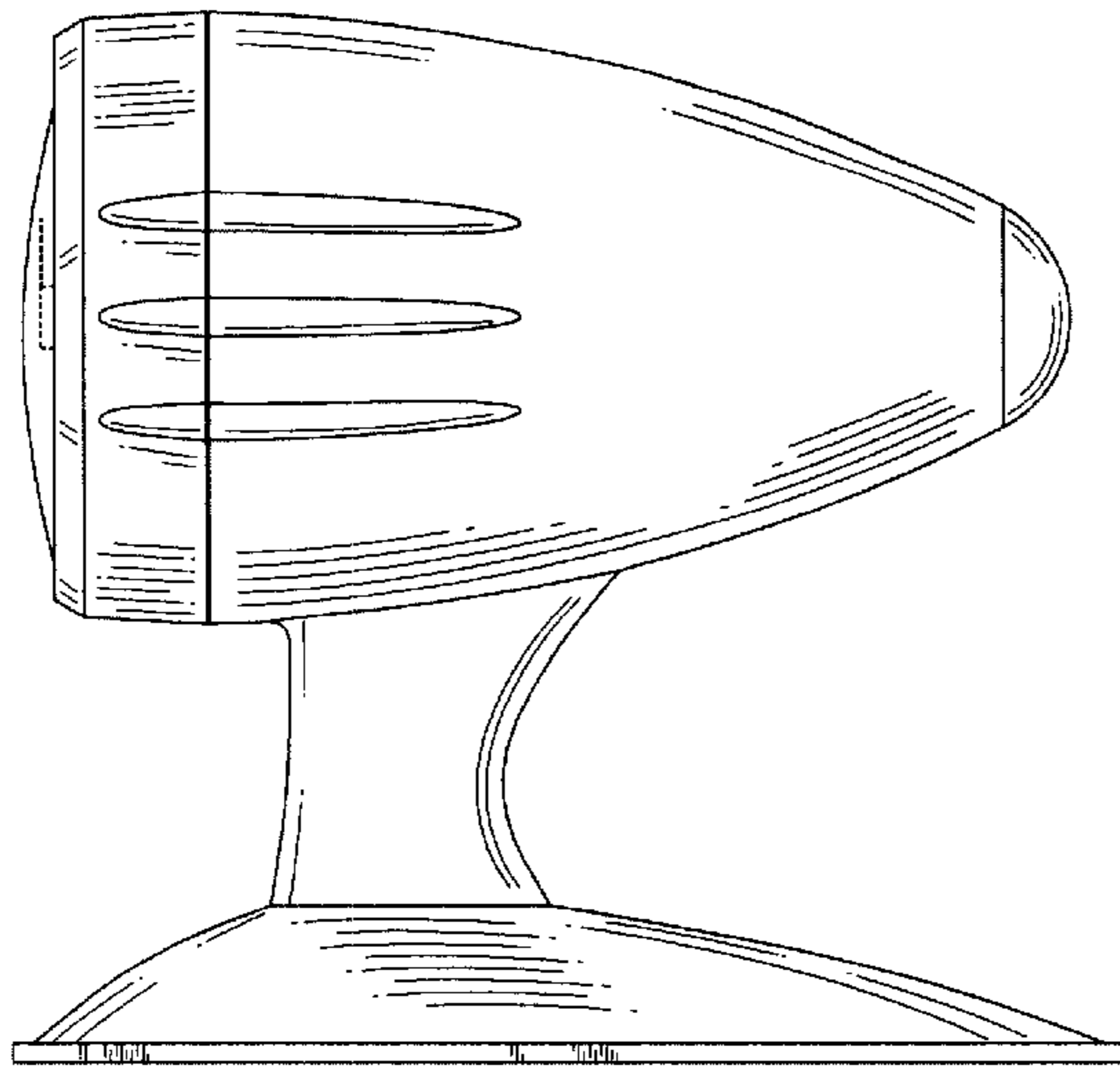


Figure 7

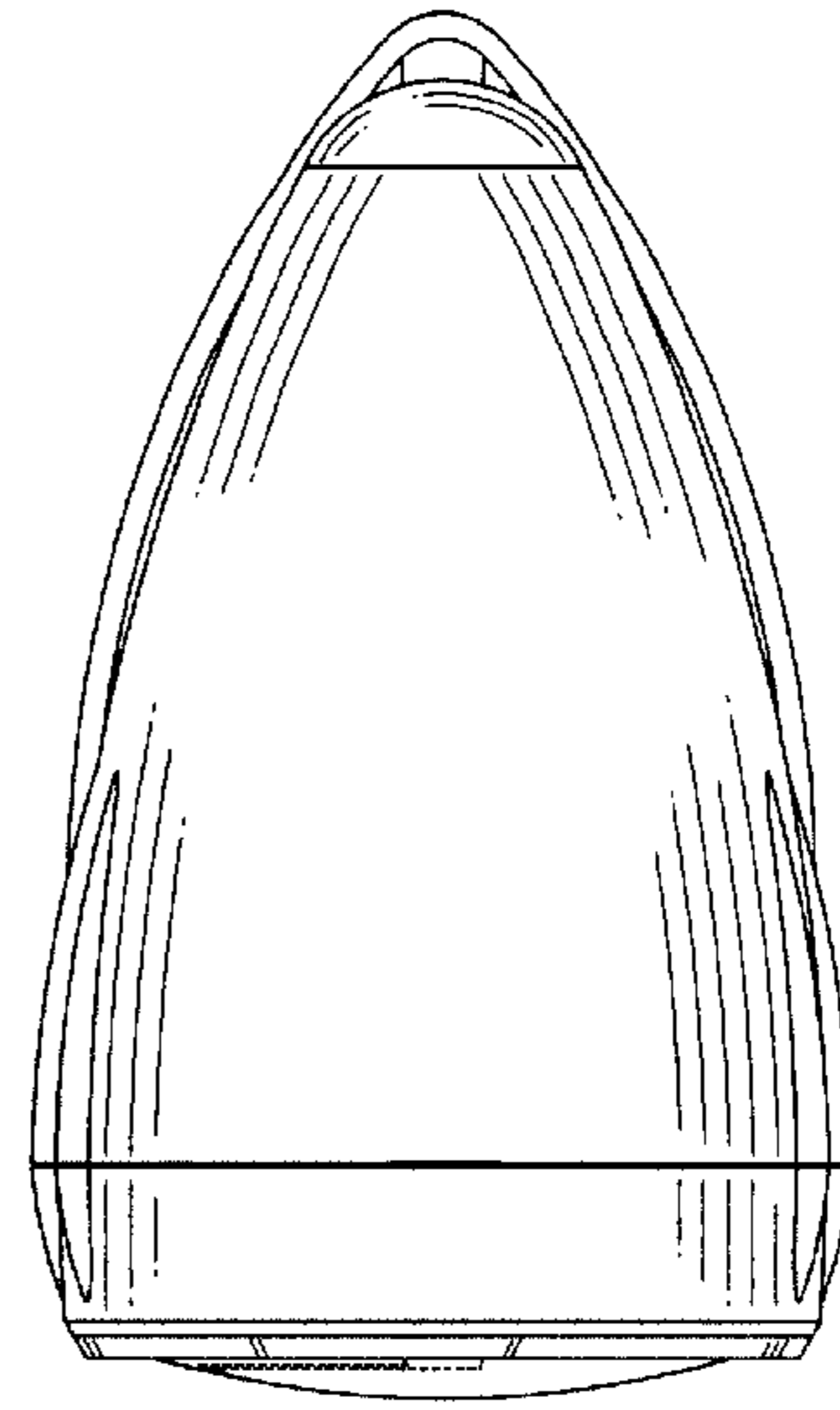


Figure 8

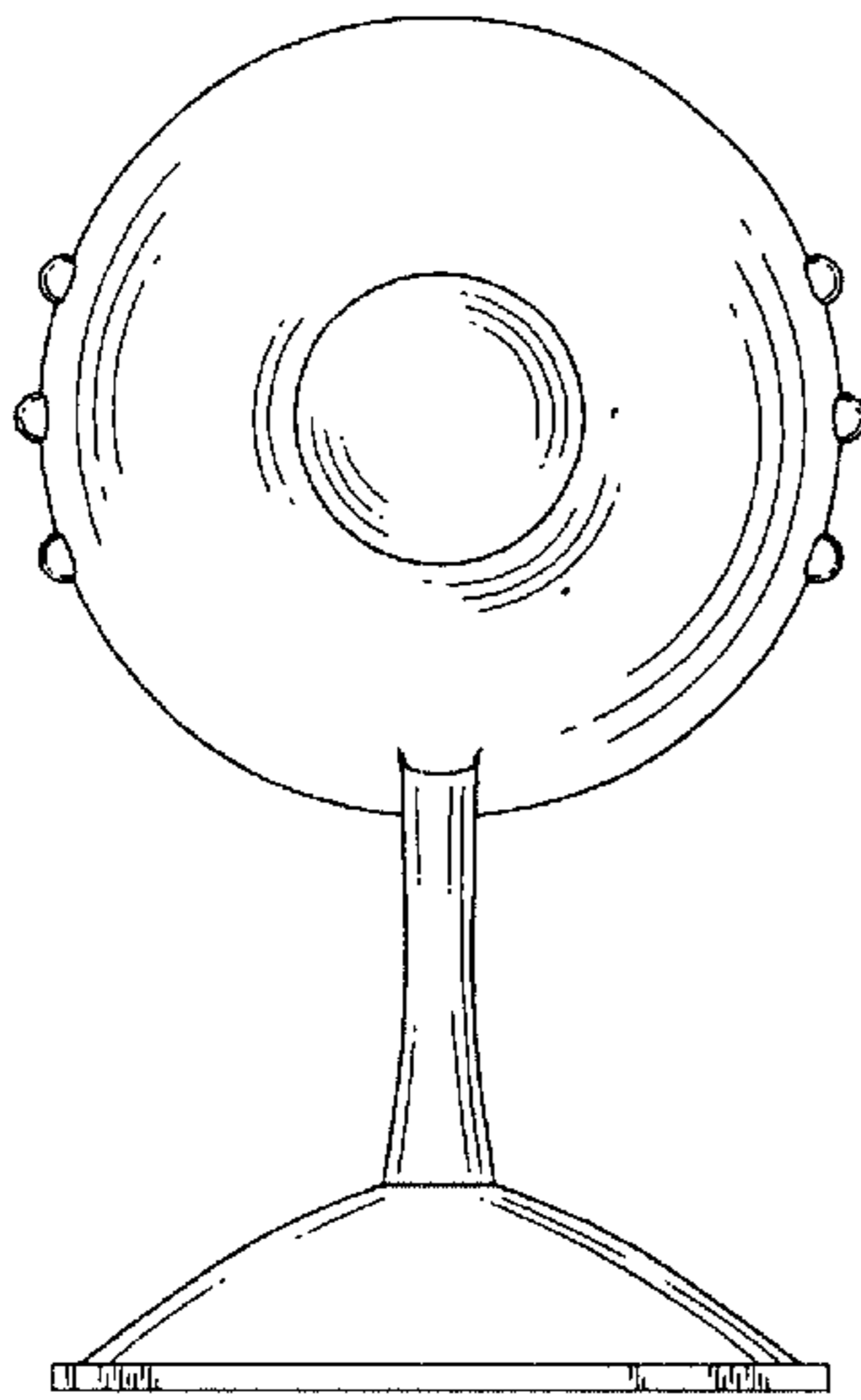


Figure 9

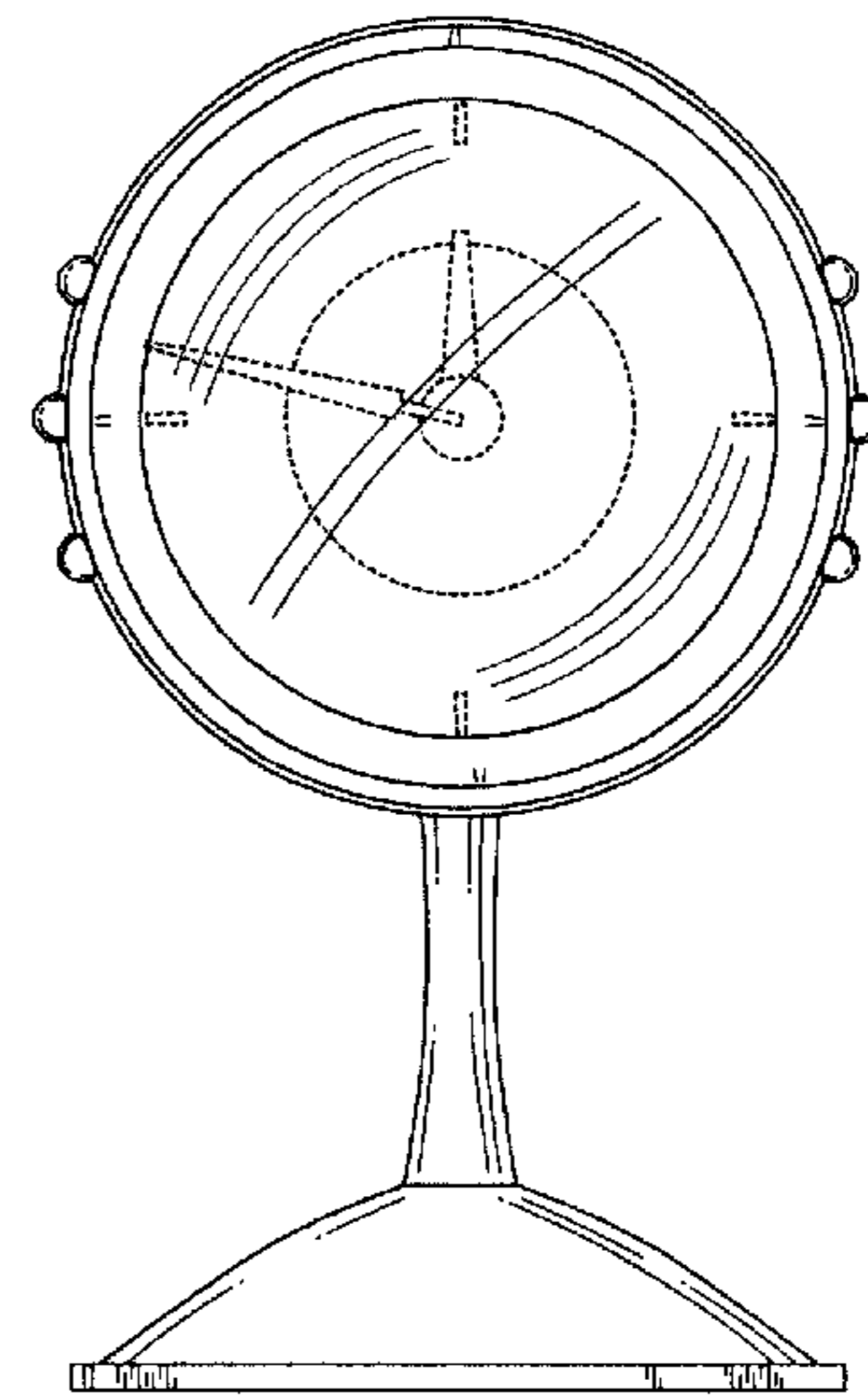


Figure 10