



US00D531518S

(12) **United States Design Patent**
Ramm et al.

(10) **Patent No.:** **US D531,518 S**

(45) **Date of Patent:** **** Nov. 7, 2006**

(54) **DISPENSER FOR RAZOR CARTRIDGE**

(75) Inventors: **Christopher Ramm**, North Attleboro, MA (US); **Michael J. Gray**, Duxbury, MA (US)

(73) Assignee: **The Gillette Company**, Boston, MA (US)

(**) **Term:** **14 Years**

(21) **Appl. No.:** **29/224,098**

(22) **Filed:** **Feb. 24, 2005**

(51) **LOC (8) Cl.** **09-03**

(52) **U.S. Cl.** **D9/749**

(58) **Field of Classification Search** D9/730,
D9/748, 735-737, 749, 424, 432, 425; 206/208,
206/228, 352, 354, 360, 564, 557; 30/40,
30/38, 536, 537, 541, 526, 47; 220/669, 675,
220/555, 556

See application file for complete search history.

(56) **References Cited**

U.S. PATENT DOCUMENTS

D73,954 S	*	11/1927	Baker	D9/749
D227,234 S	*	6/1973	Glaberson	D9/749
D231,198 S	*	4/1974	Casselli et al.	D9/736
D233,598 S	*	11/1974	Glaberson	D9/735
3,854,201 A	*	12/1974	Dawidowicz et al.	30/40.2
3,880,284 A	*	4/1975	Pomfret	206/354
D241,122 S	*	8/1976	Gatley	D9/749
4,016,648 A	*	4/1977	Chen et al.	30/47

D256,997 S	*	9/1980	Motta	D9/736
D256,998 S	*	9/1980	Motta	D9/736
D312,568 S	*	12/1990	Gray	D9/736
D358,761 S	*	5/1995	Ho	D9/736
D366,611 S	*	1/1996	Poisson	D9/736
5,518,114 A	*	5/1996	Kohring et al.	206/352
D397,290 S	*	8/1998	Petricca et al.	D9/736
D398,522 S	*	9/1998	Petricca et al.	D9/736
D398,523 S	*	9/1998	Petricca et al.	D9/749
D430,013 S	*	8/2000	Shurtleff et al.	D9/749
6,237,232 B1	*	5/2001	Petricca et al.	30/526
2002/0184770 A1	*	12/2002	Peysner	30/50

* cited by examiner

Primary Examiner—Stella Reid

Assistant Examiner—Mark Goodwin

(74) *Attorney, Agent, or Firm*—David A. Howley

(57) **CLAIM**

The ornamental design for a dispenser for razor cartridge, as shown.

DESCRIPTION

FIG. 1 is a top perspective view of a dispenser for razor cartridge showing my new design;

FIG. 2 is a top plan view thereof;

FIG. 3 is a left side elevational view, the right side elevational view being a mirror image thereof;

FIG. 4 is a bottom plan view thereof;

FIG. 5 is a front view thereof; and,

FIG. 6 is a rear view thereof.

1 Claim, 5 Drawing Sheets

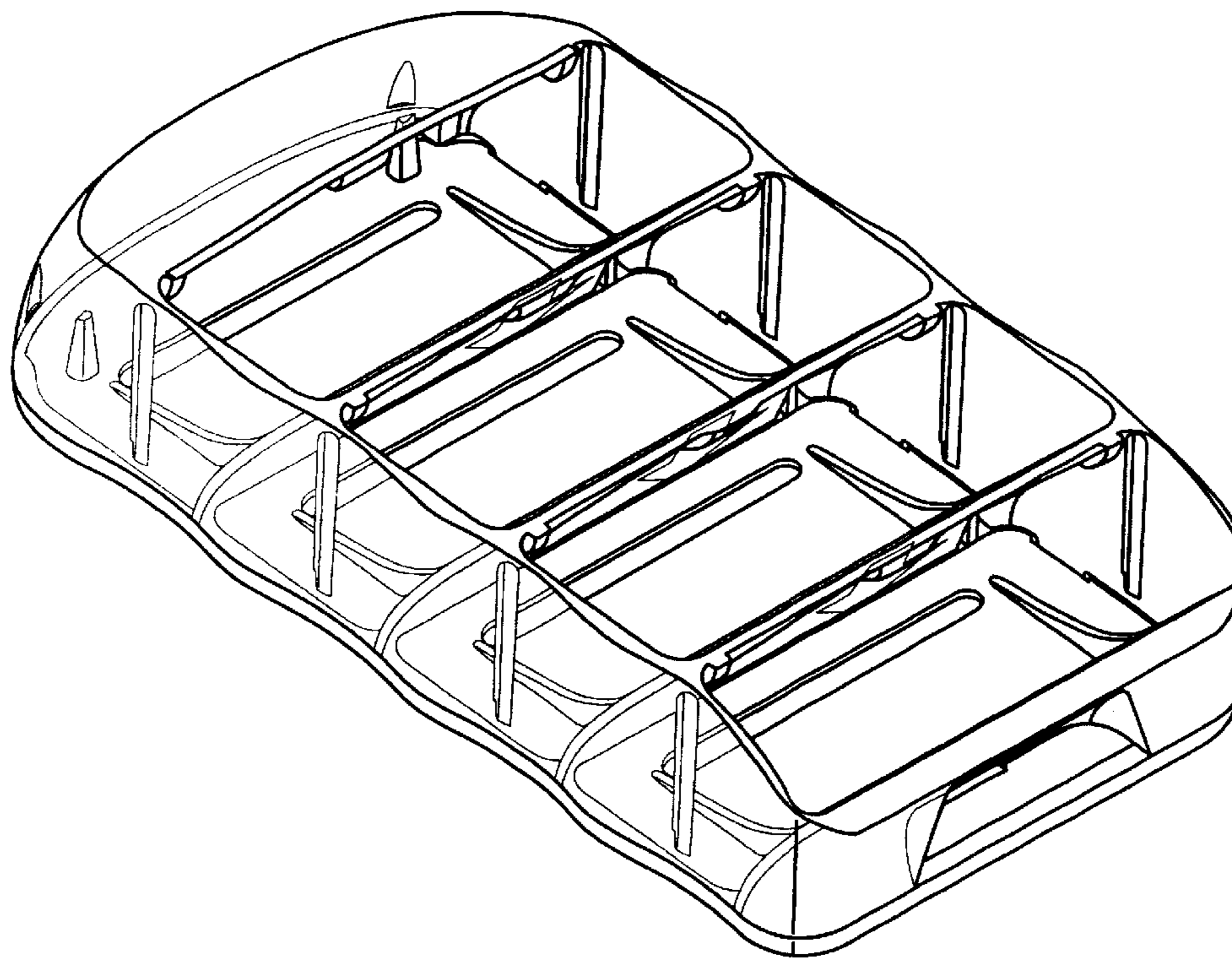


FIG. 1

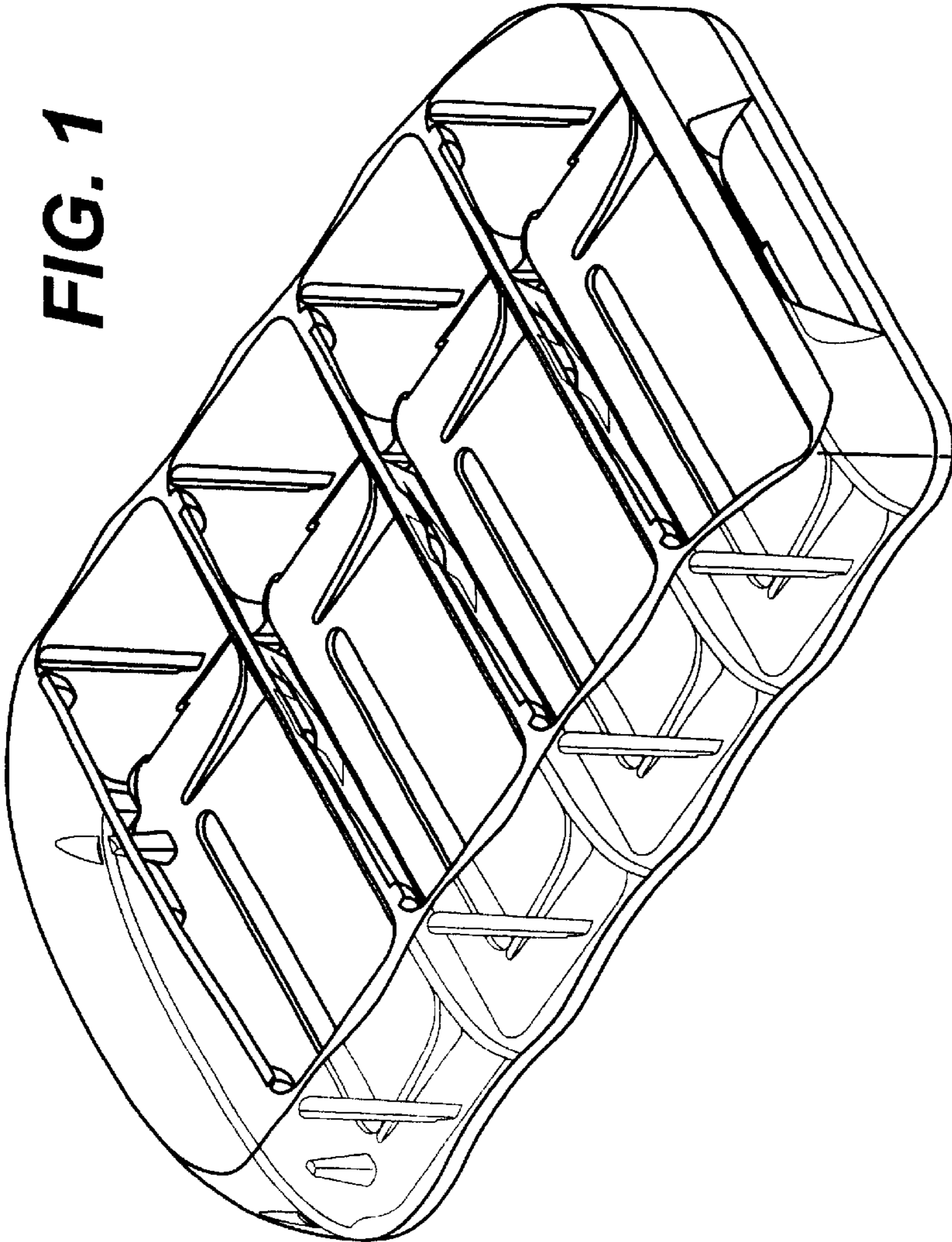


FIG. 2

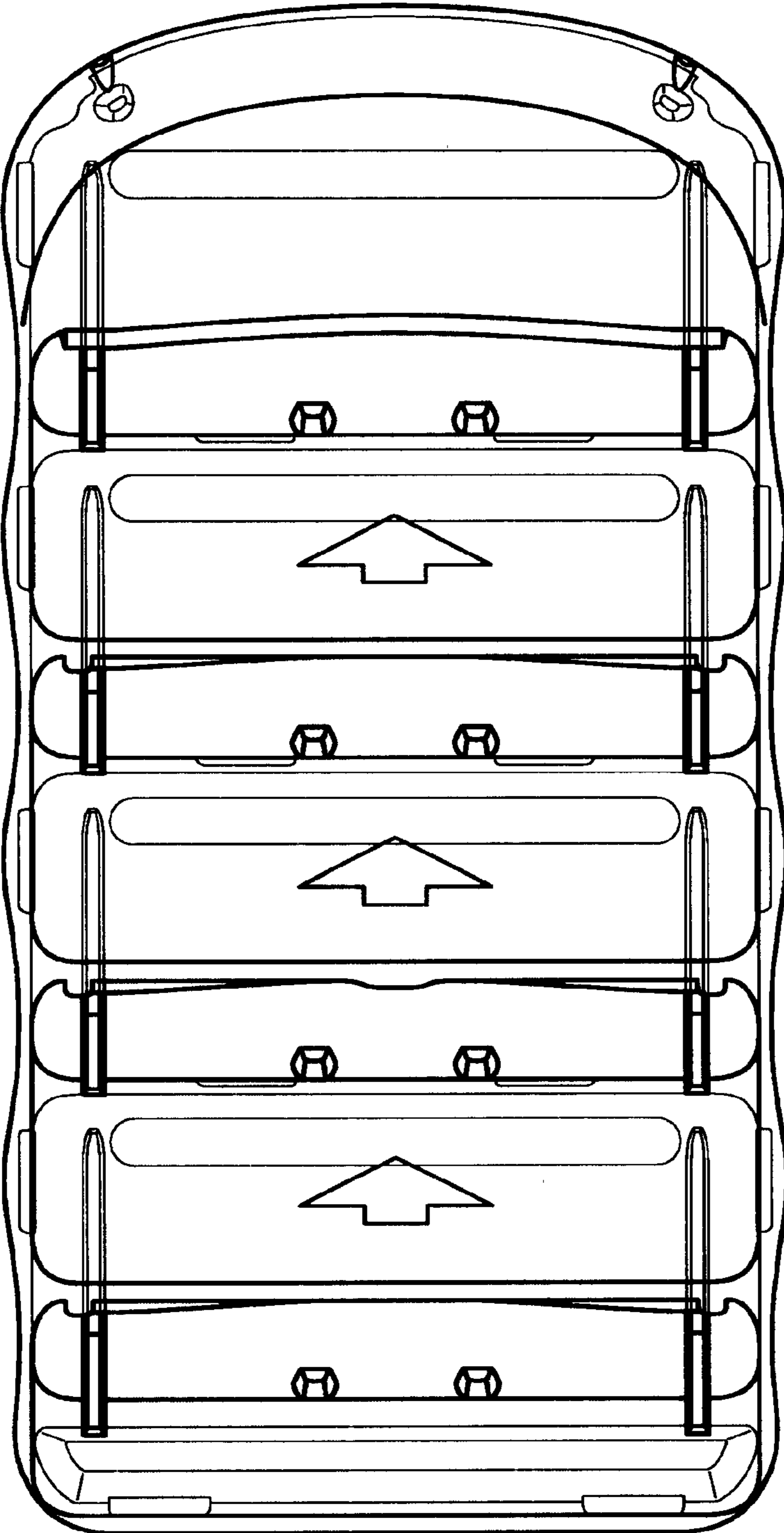


FIG. 3

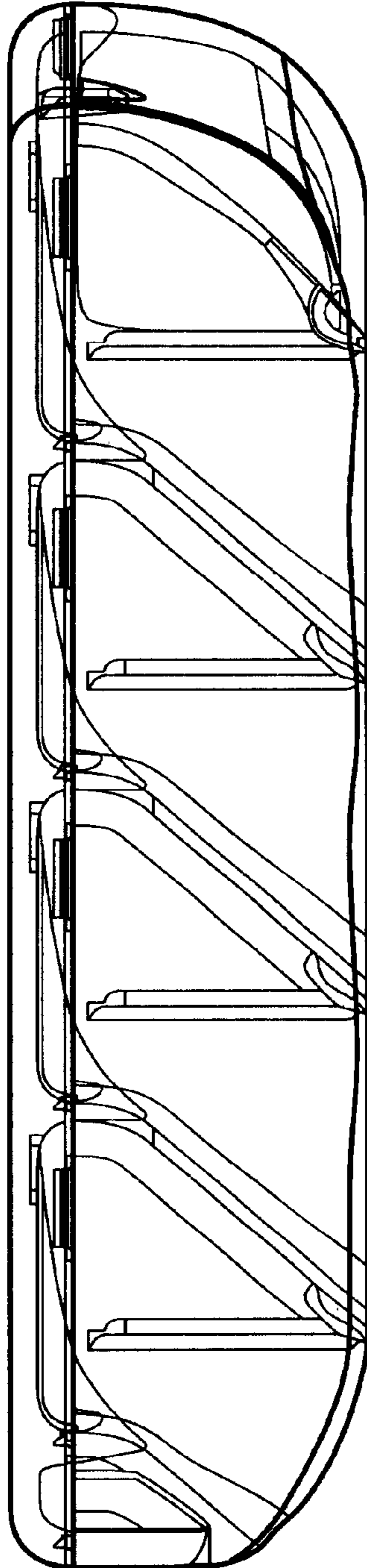


FIG. 4

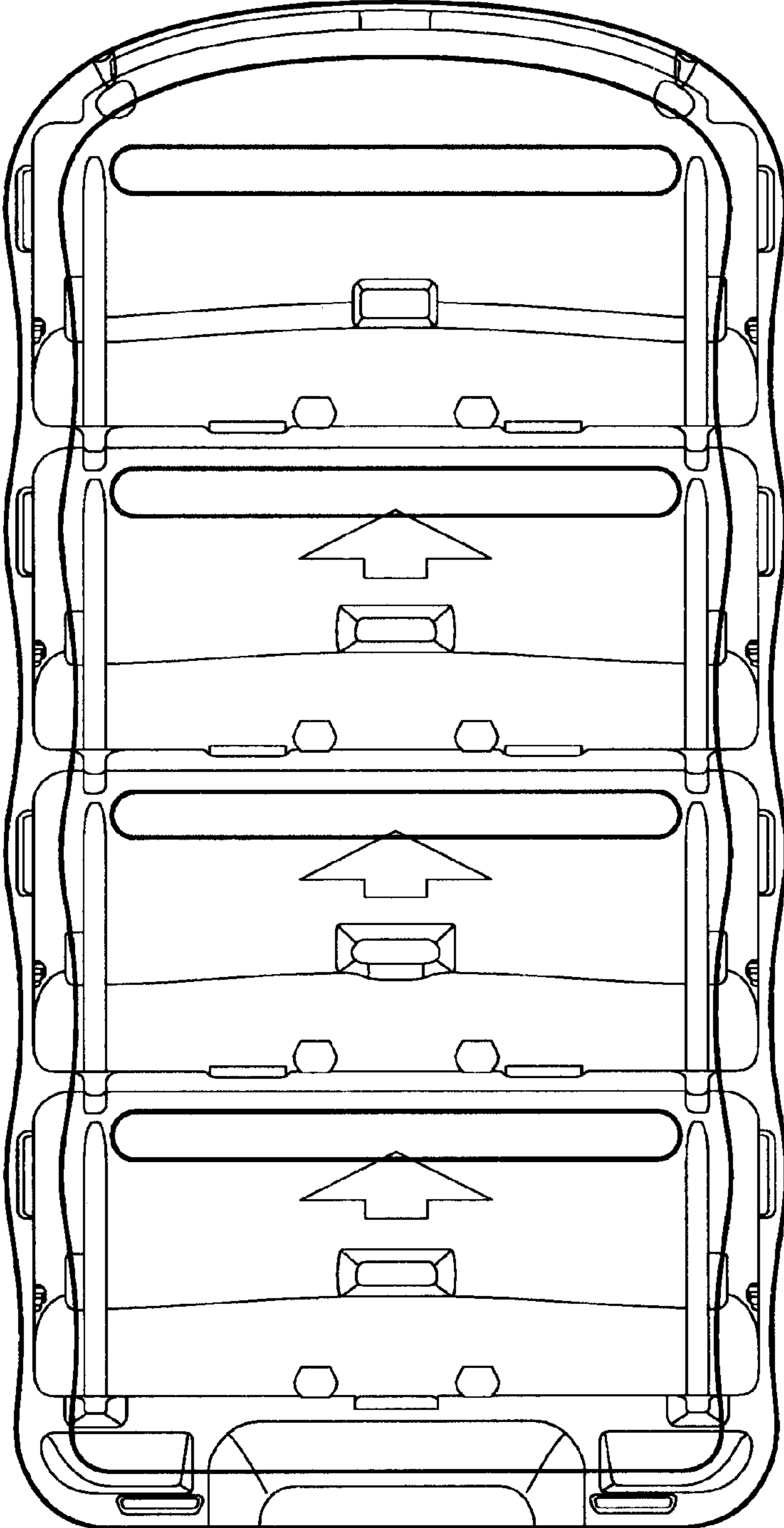


FIG. 5

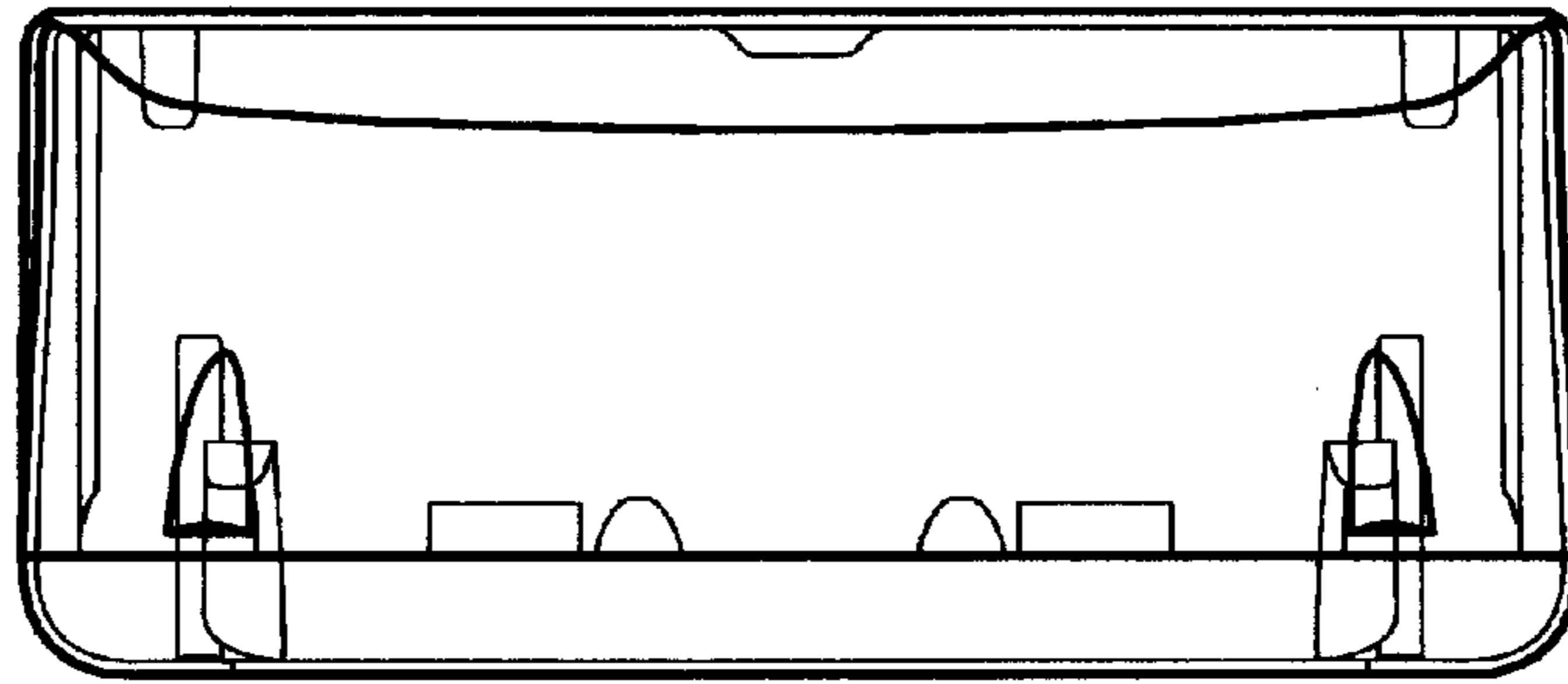


FIG. 6

