



US00D531516S

(12) **United States Design Patent**  
**Sellars**

(10) **Patent No.:** **US D531,516 S**

(45) **Date of Patent:** **\*\* Nov. 7, 2006**

(54) **PRODUCT DISPLAY PACKAGING**

(75) Inventor: **John C. Sellars**, Wauwatosa, WI (US)

(73) Assignee: **Sellars Absorbent Materials, Inc.**,  
Milwaukee, WI (US)

(\*\*) Term: **14 Years**

(21) Appl. No.: **29/222,692**

(22) Filed: **Feb. 2, 2005**

(51) **LOC (8) Cl.** ..... **09-01**

(52) **U.S. Cl.** ..... **D9/675; D3/271.11**

(58) **Field of Classification Search** ..... D9/600,  
D9/672-676, 414, 418, 430, 432; D3/270,  
D3/271.11, 271.12; D7/514, 571, 599, 606,  
D7/613, 628, 619.2; 206/457, 459.1, 459.5,  
206/822-823; 220/890

See application file for complete search history.

(56) **References Cited**

**U.S. PATENT DOCUMENTS**

5,310,109 A \* 5/1994 Prime et al. .... 206/457  
D350,283 S \* 9/1994 Lenterman ..... D9/675  
D369,023 S \* 4/1996 Cheng ..... D3/271.12  
D374,175 S \* 10/1996 Tesar ..... D9/675

D386,399 S \* 11/1997 Stokely et al. .... D9/675  
D390,433 S \* 2/1998 Miller ..... D21/549  
D408,211 S \* 4/1999 Cordell ..... D9/675  
D423,886 S \* 5/2000 Lieblein ..... D7/628  
6,112,887 A \* 9/2000 Harrison ..... 206/457  
D436,527 S \* 1/2001 Bergersen ..... D9/675  
D447,339 S \* 9/2001 Rosmon ..... D3/271.12

\* cited by examiner

*Primary Examiner*—Sandra L. Morris

(74) *Attorney, Agent, or Firm*—Fredrickson & Byron, PA

(57) **CLAIM**

I claim the ornamental design for the product display packaging, as shown and described.

**DESCRIPTION**

FIG. 1 is a top view of the product display packaging of my design, shown empty but having a top opening through which product may be viewed;

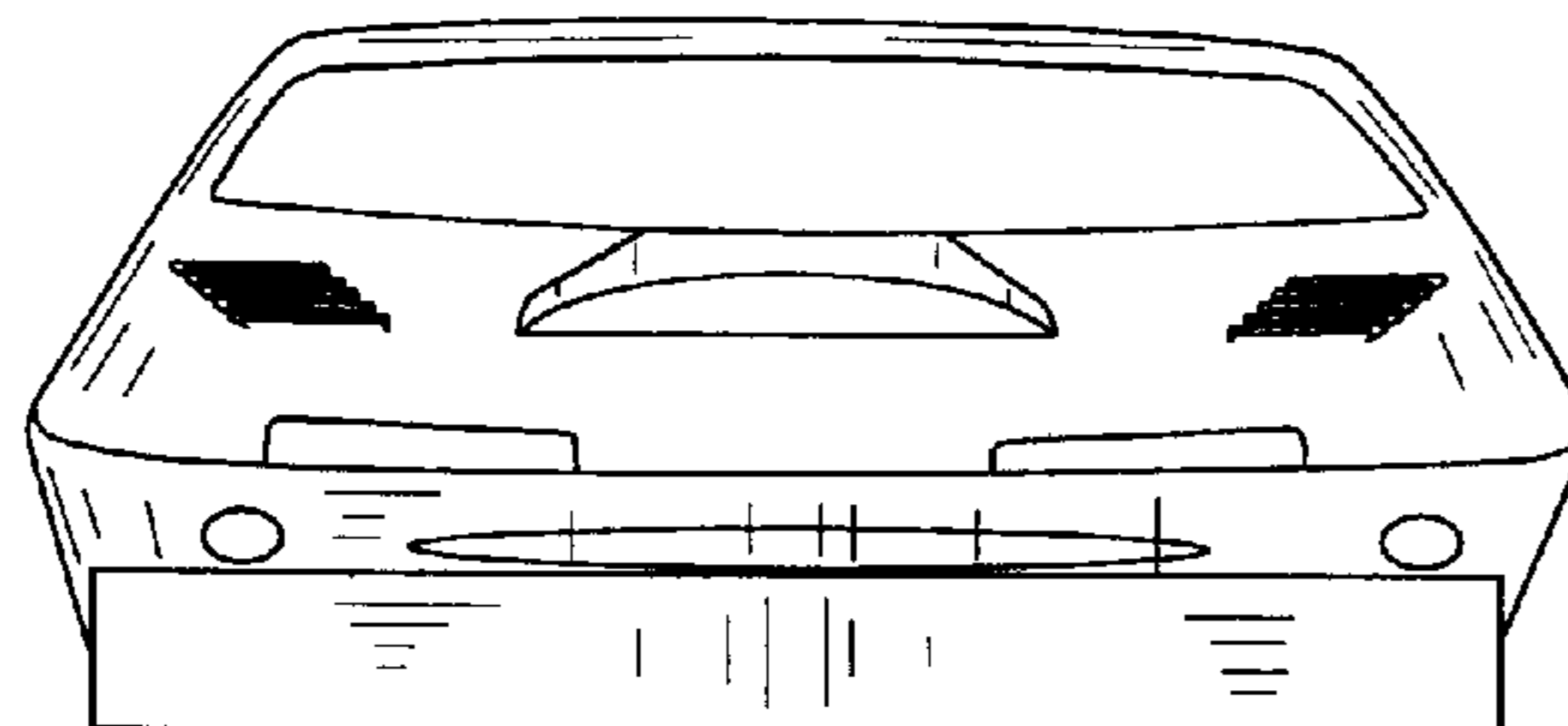
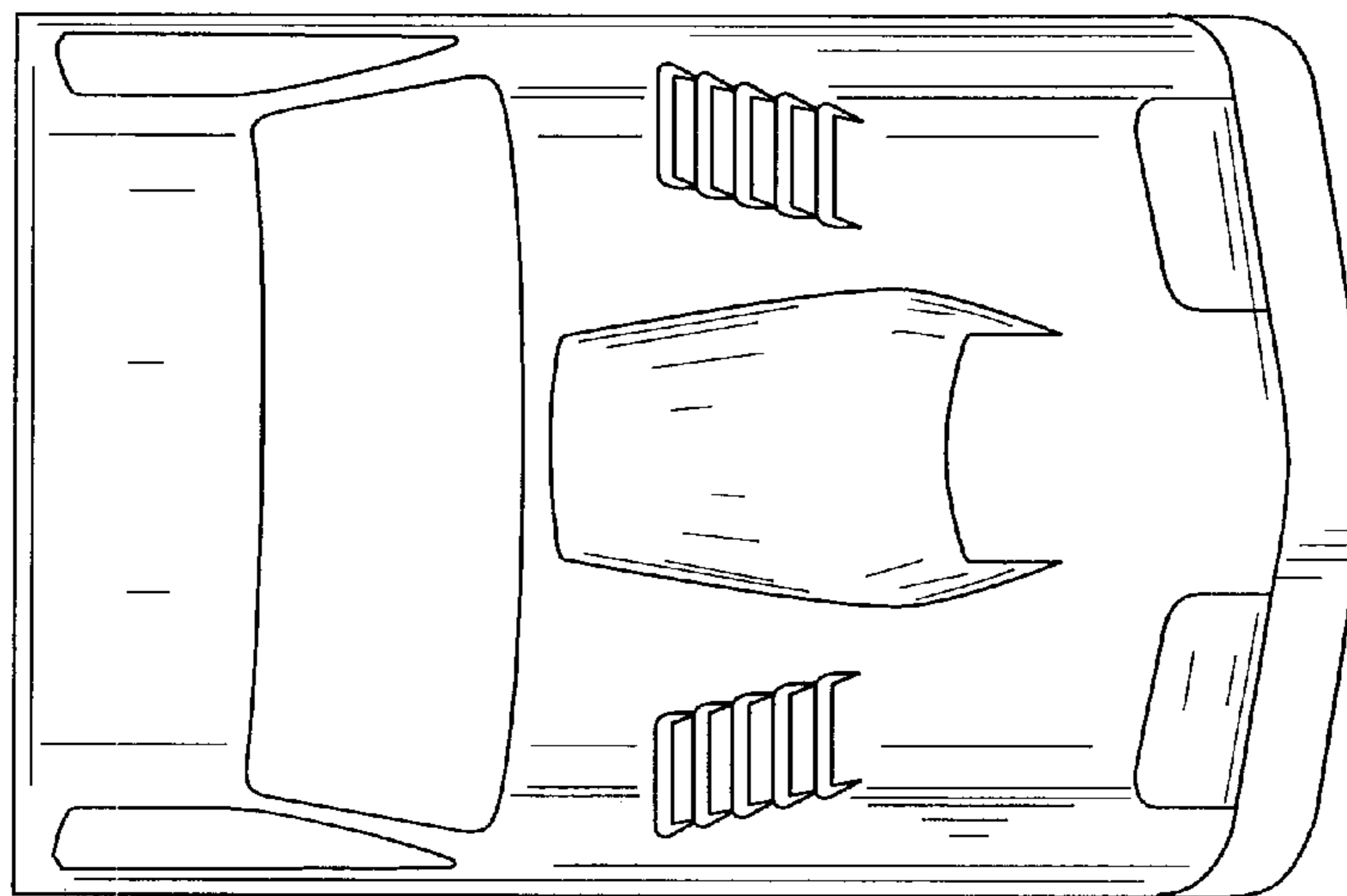
FIG. 2 is a bottom view of my design;

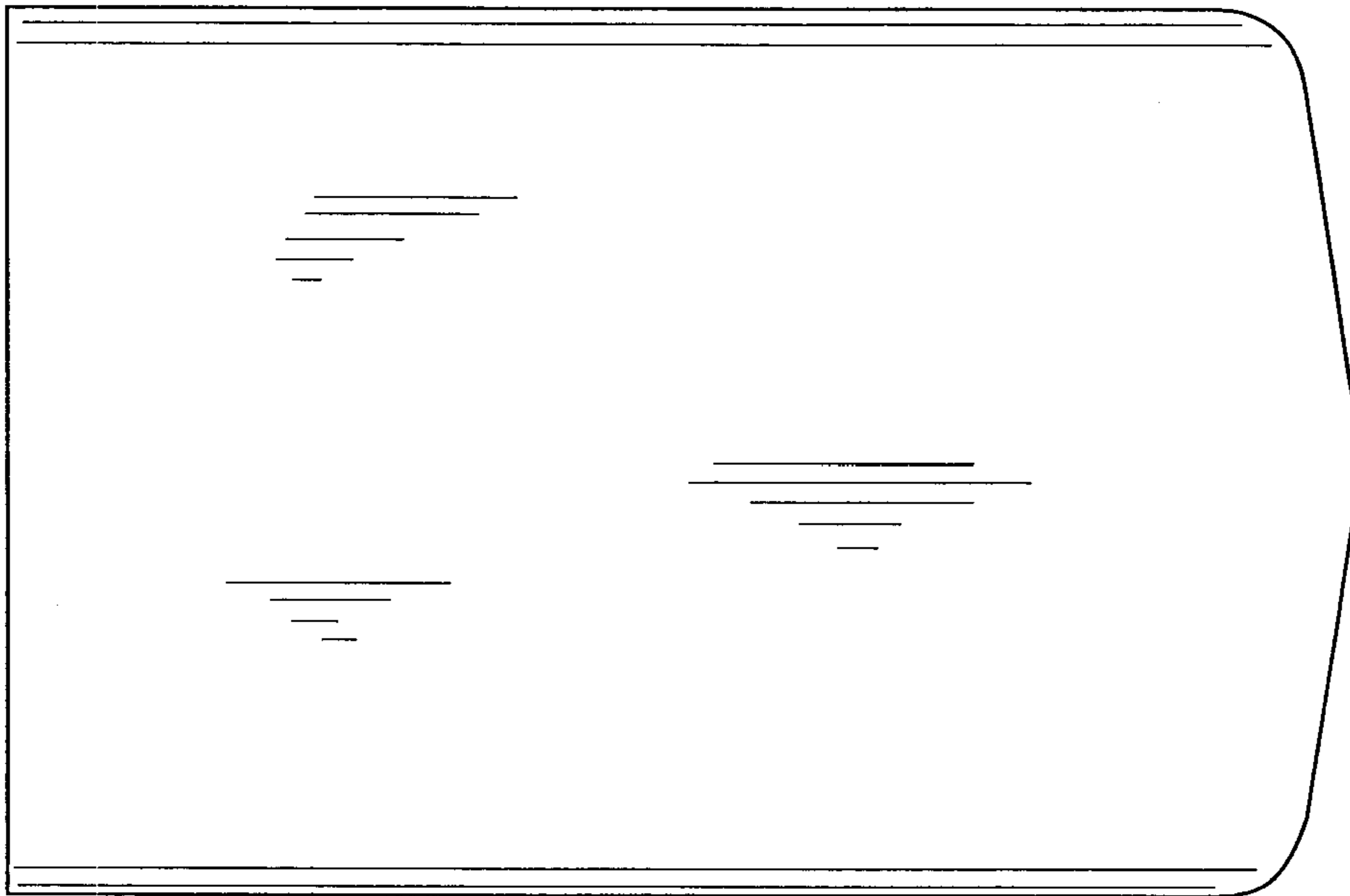
FIG. 3 is a front view of my design;

FIG. 4 is a left side view of the product display packaging of my design, the right hand view being a mirror image thereof; and,

FIG. 5 is a rear view of a my design.

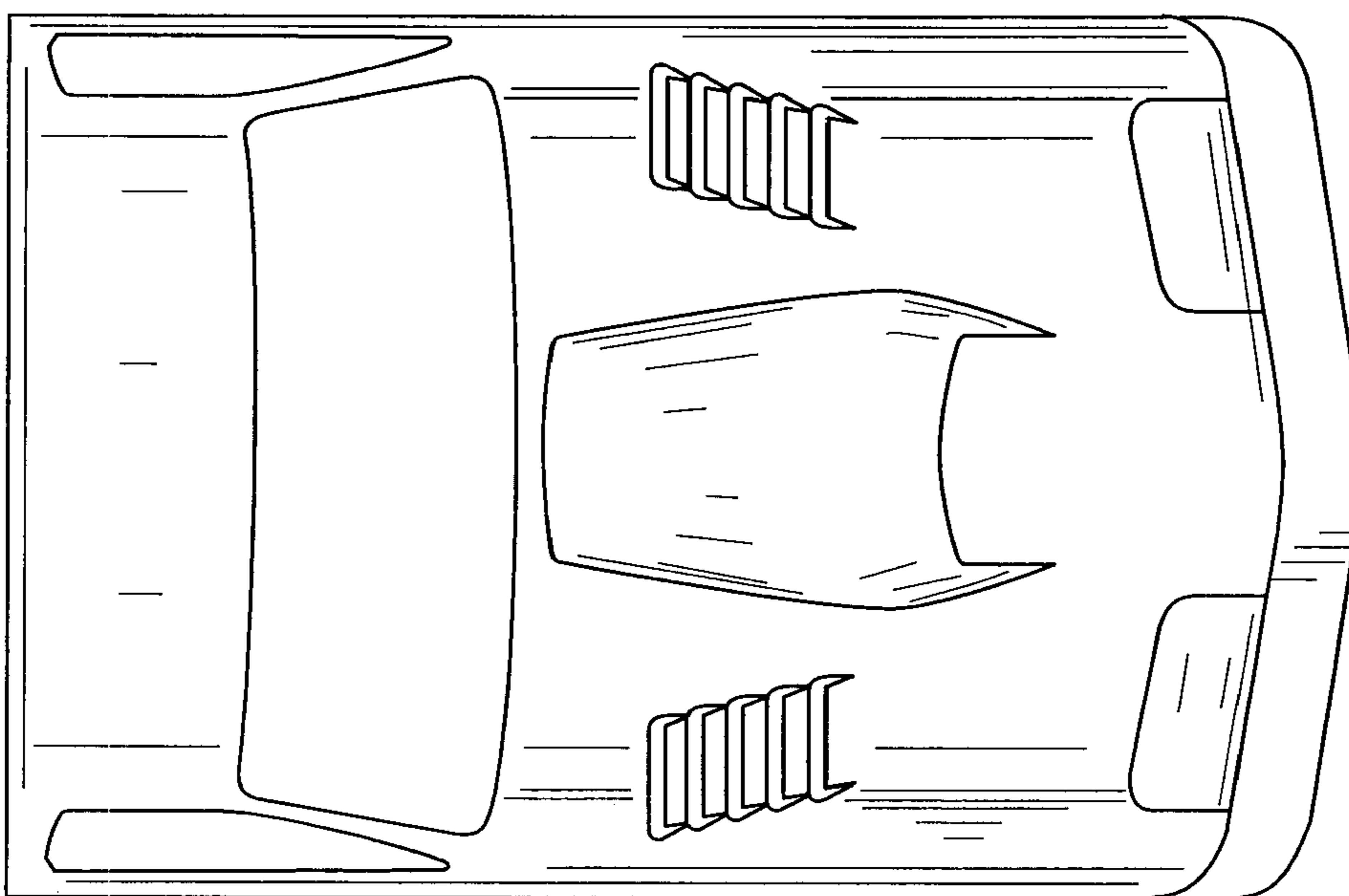
**1 Claim, 2 Drawing Sheets**

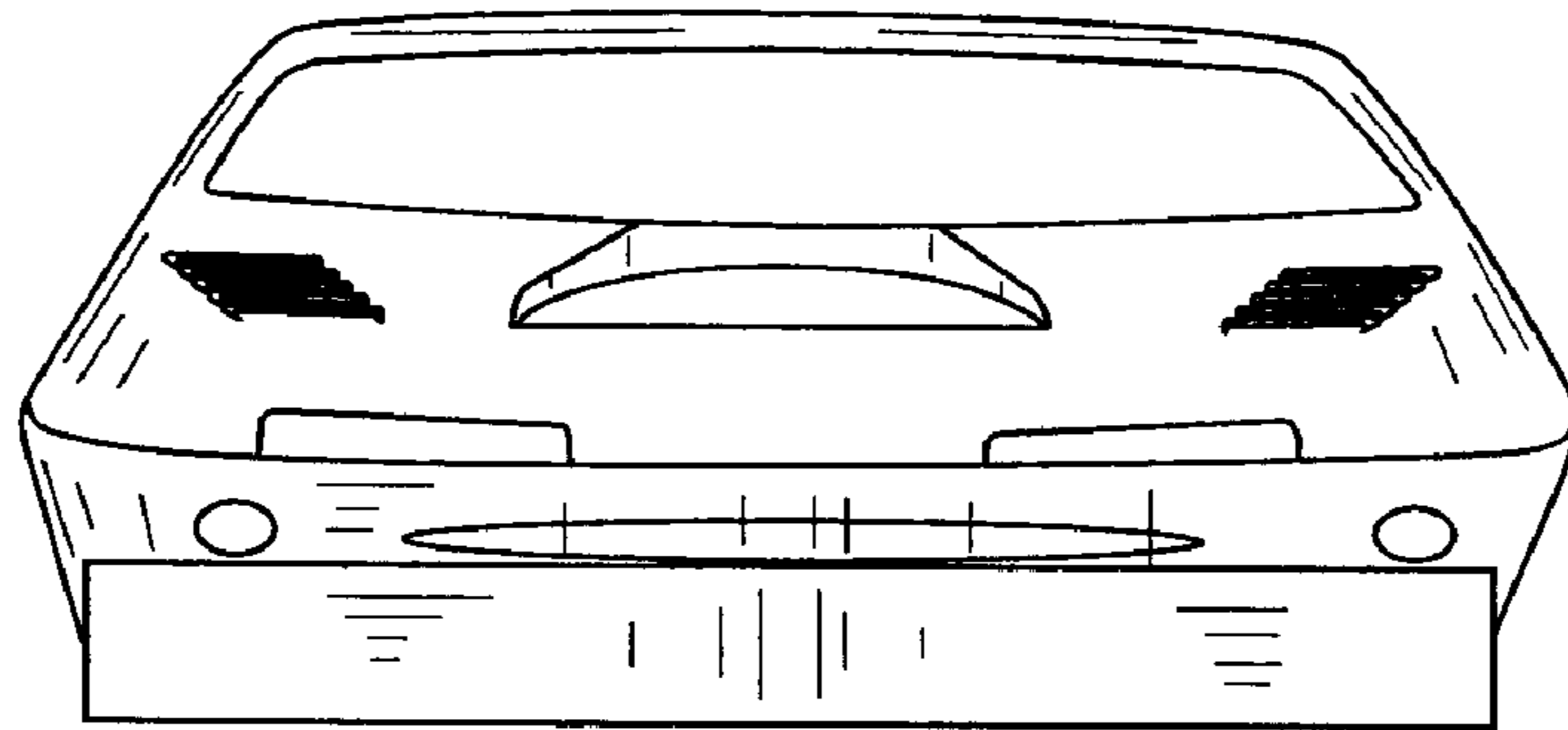




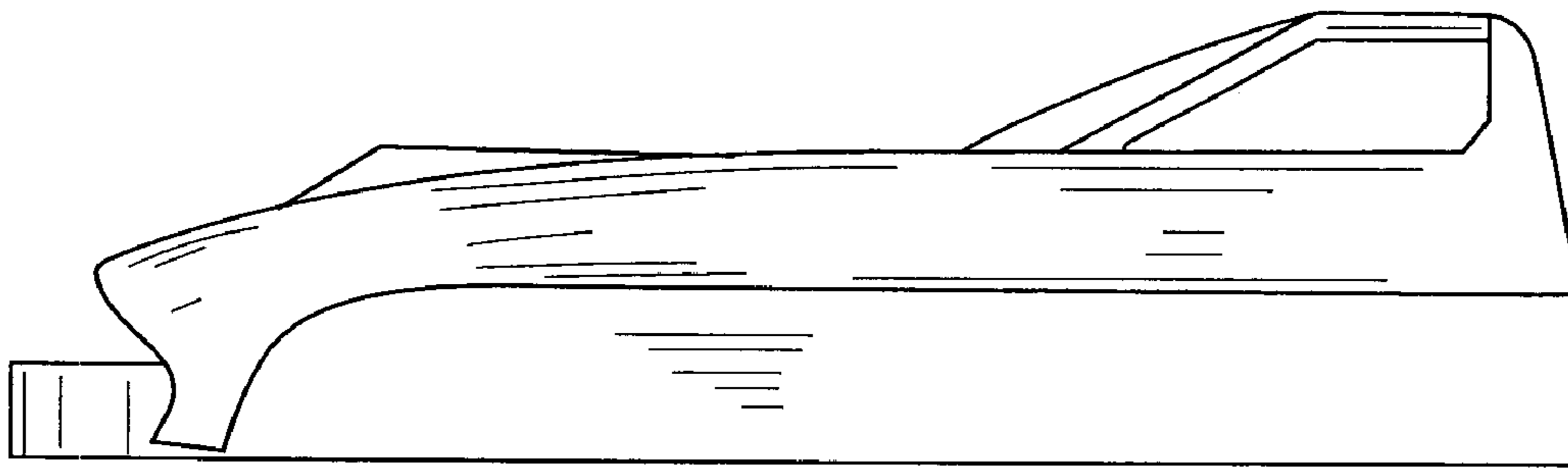
**Fig. 2**

**Fig. 1**

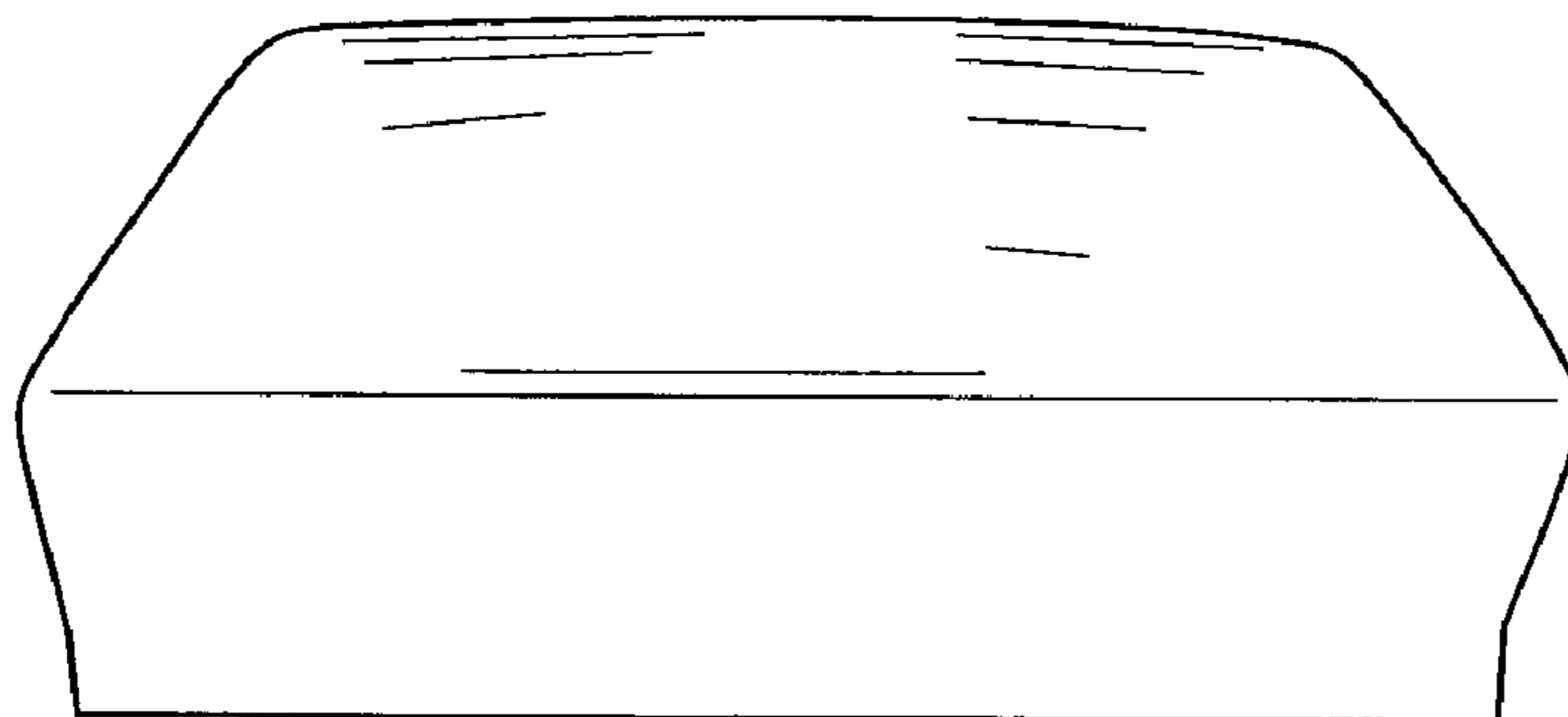




**Fig. 3**



**Fig. 4**



**Fig. 5**