



US00D531514S

(12) **United States Design Patent**  
**Harris**

(10) **Patent No.:** **US D531,514 S**

(45) **Date of Patent:** **\*\* Nov. 7, 2006**

(54) **BOTTLE**

(75) Inventor: **Thomas Harris**, Manahawkin, MD  
(US)

(73) Assignee: **GRAFCO PET Technologies**, Hanover,  
MD (US)

(\*\*) Term: **14 Years**

(21) Appl. No.: **29/219,282**

(22) Filed: **Dec. 16, 2004**

(51) **LOC (8) Cl.** ..... **09-01**

(52) **U.S. Cl.** ..... **D9/560; D9/572; D9/575;**  
D21/499

(58) **Field of Classification Search** ..... D9/636-640,  
D9/652, 667, 686-687, 690-694, 741-745,  
D9/516, 521-522, 529-530, 535, 537-539,  
D9/541-542, 544, 546, 549-550, 556, 558-560,  
D9/562-563, 569-575, 440, 445, 447, 452,  
D9/457; D23/366-369; 215/382-384, 396,  
215/398; 220/660, 669, 675; 222/210, 212-213;  
D21/499

See application file for complete search history.

(56) **References Cited**

**U.S. PATENT DOCUMENTS**

D217,435 S \* 5/1970 Wire ..... D9/560  
D224,287 S \* 7/1972 Coster ..... D9/560 X  
D278,032 S \* 3/1985 de Mourgues ..... D9/546 X

D322,938 S \* 1/1992 Baroi ..... D9/564  
D371,281 S \* 7/1996 Credle, Jr. .... D7/625  
D377,887 S \* 2/1997 Credle, Jr. .... D7/625  
5,782,358 A \* 7/1998 Walker ..... 220/23.4 X  
D412,646 S \* 8/1999 Credle, Jr. .... D7/625  
D412,662 S \* 8/1999 Giskeodegaard et al. .... D9/636  
D431,190 S \* 9/2000 Adachi et al. .... D9/572 X  
D447,944 S \* 9/2001 Justice ..... D9/424  
D464,682 S \* 10/2002 Lin ..... D21/499  
D494,476 S \* 8/2004 Cwynar-Laska et al. .... D9/560

\* cited by examiner

*Primary Examiner*—Carol Rademaker

(74) *Attorney, Agent, or Firm*—Royslance, Abrams, Berdo  
& Goodman, L.L.P.

(57) **CLAIM**

The ornamental design for a bottle, as shown and described.

**DESCRIPTION**

FIG. 1 is a front, top, and right side perspective view of a  
bottle showing my new design;

FIG. 2 is a front elevational view thereof;

FIG. 3 is a rear elevational view thereof;

FIG. 4 is a left side elevational view thereof;

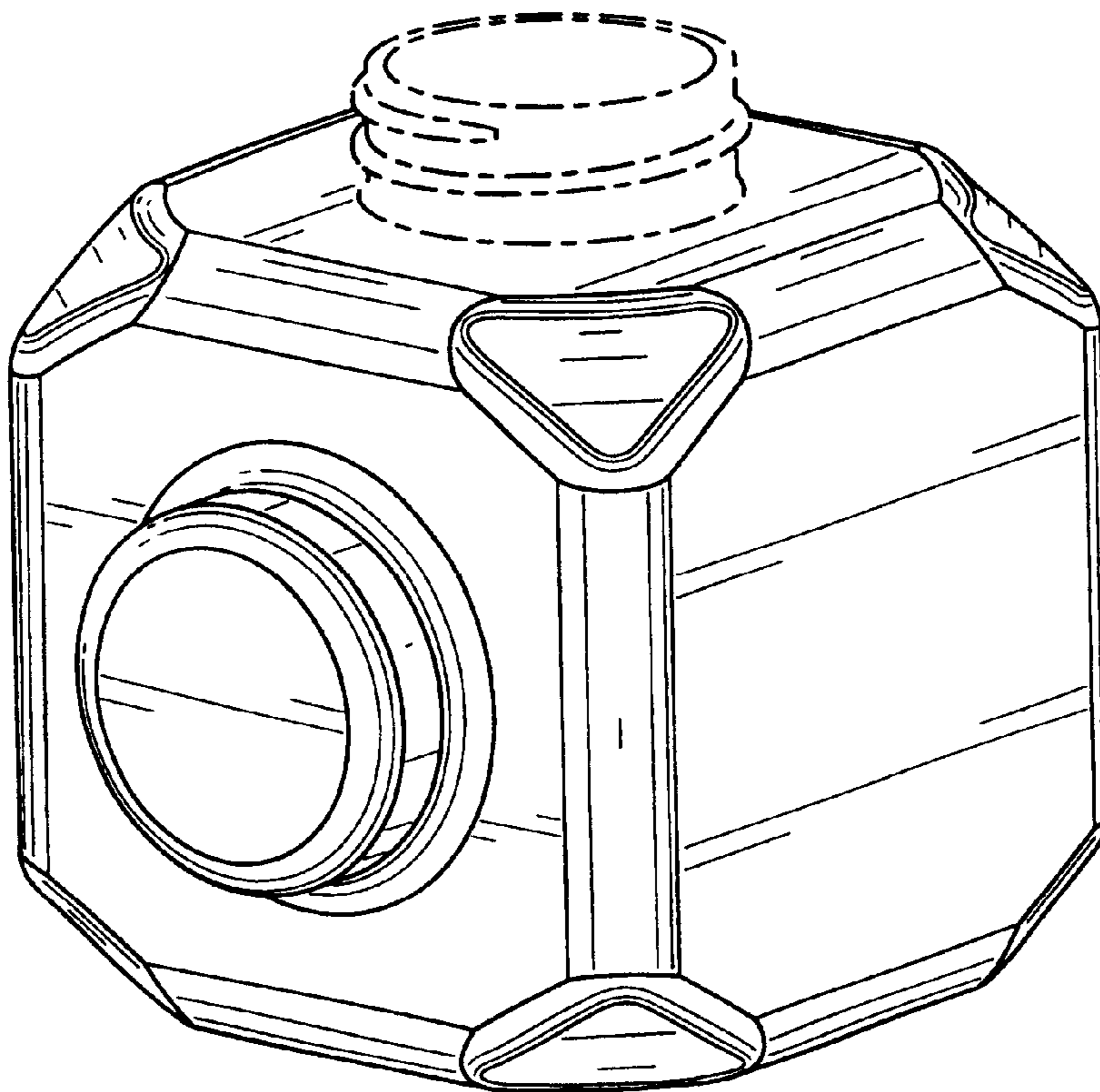
FIG. 5 is a right side elevational view thereof;

FIG. 6 is a top plan view thereof; and,

FIG. 7 is a bottom plan view thereof.

The broken lines shown in the drawings are for illustrative  
purposes only and form no part of the claimed design.

**1 Claim, 4 Drawing Sheets**



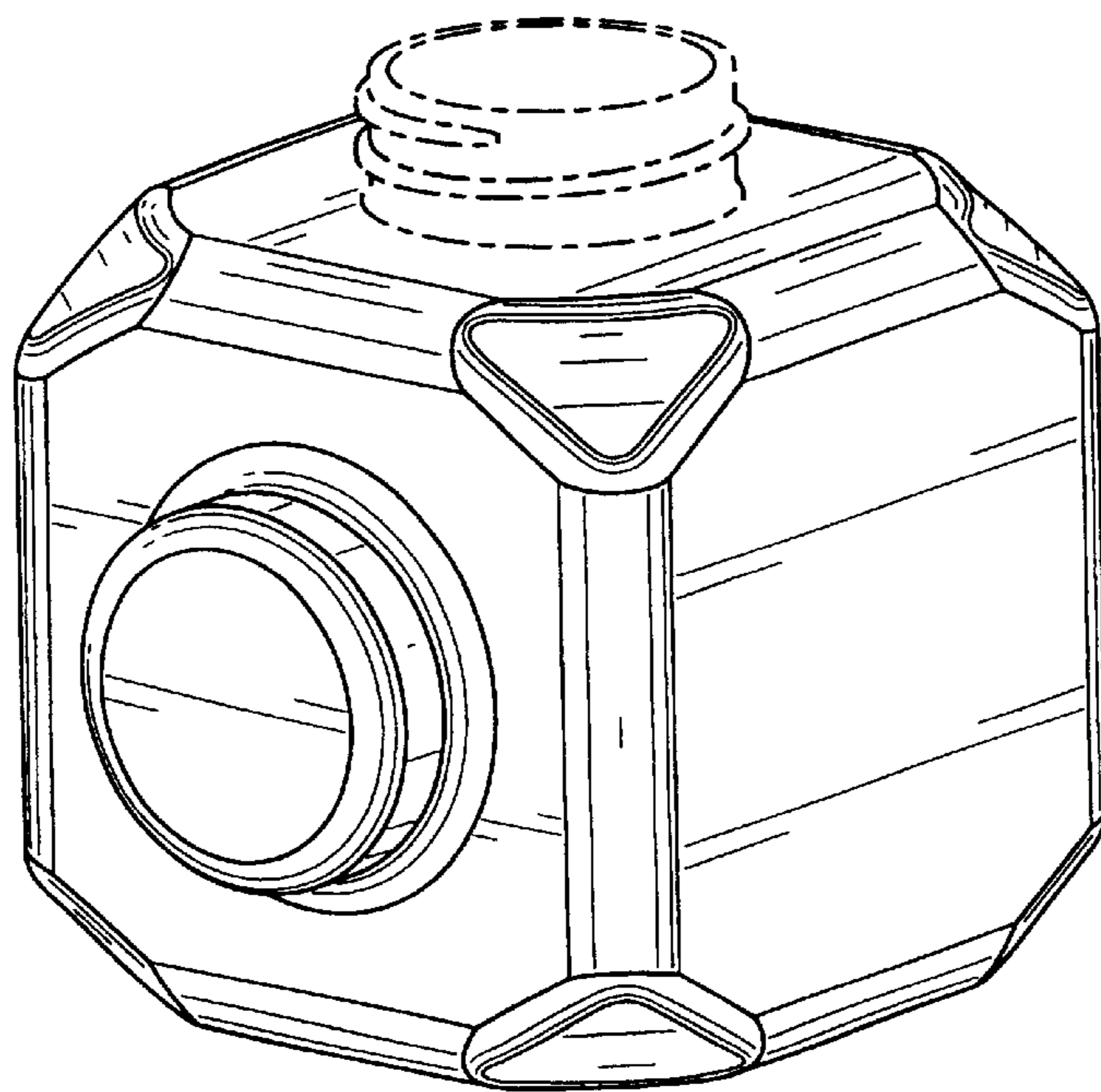


FIG. 1

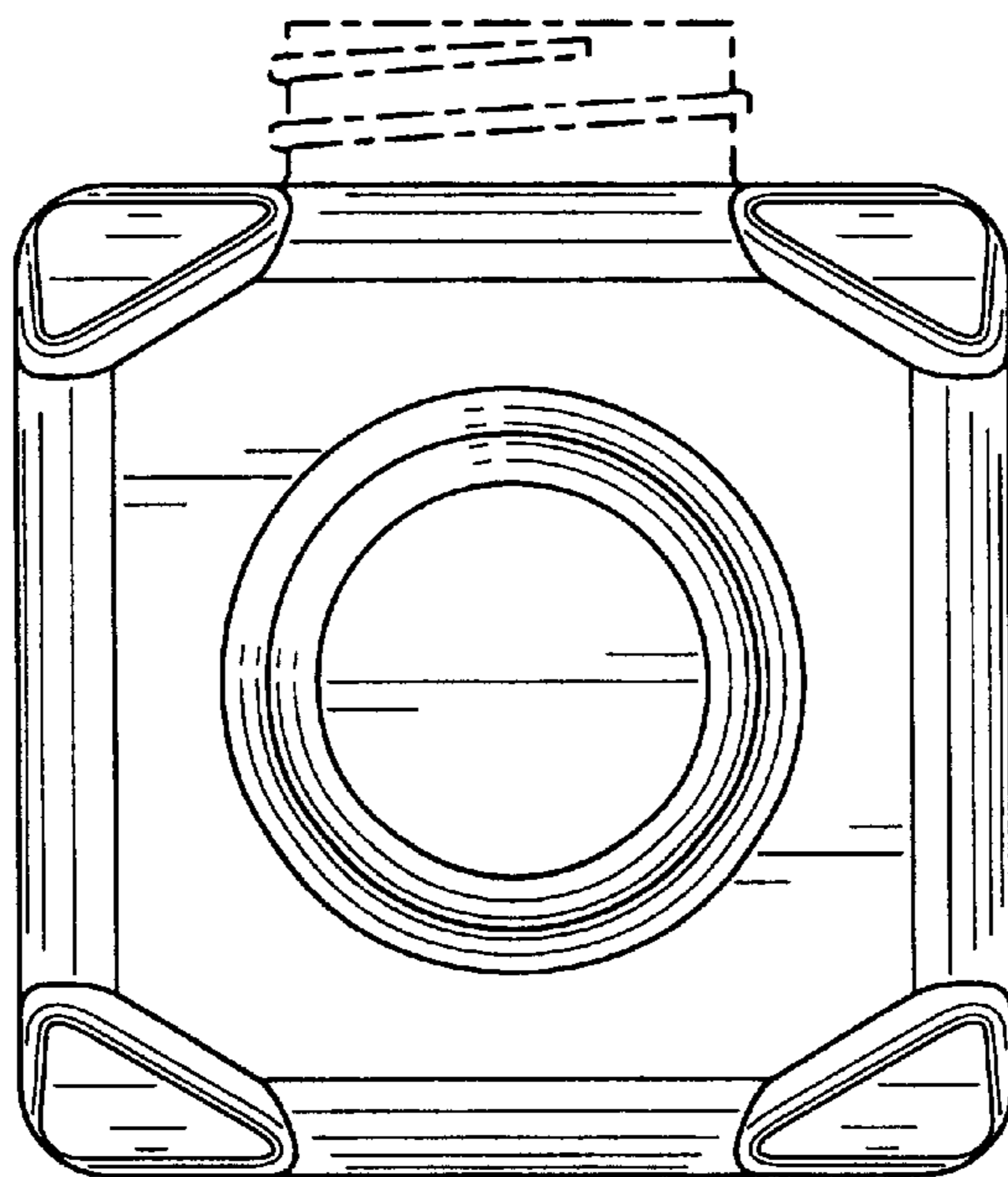


FIG. 2

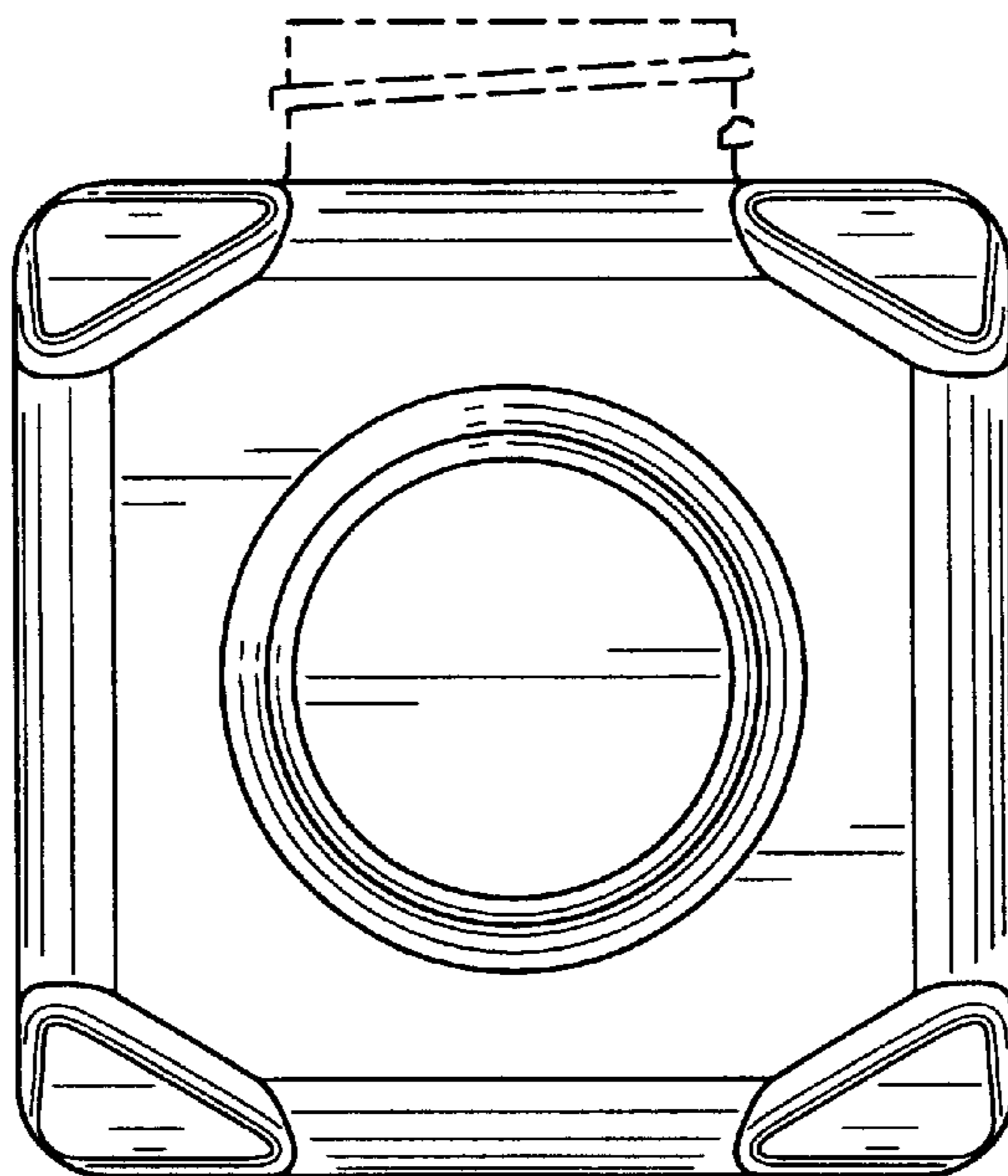


FIG. 3

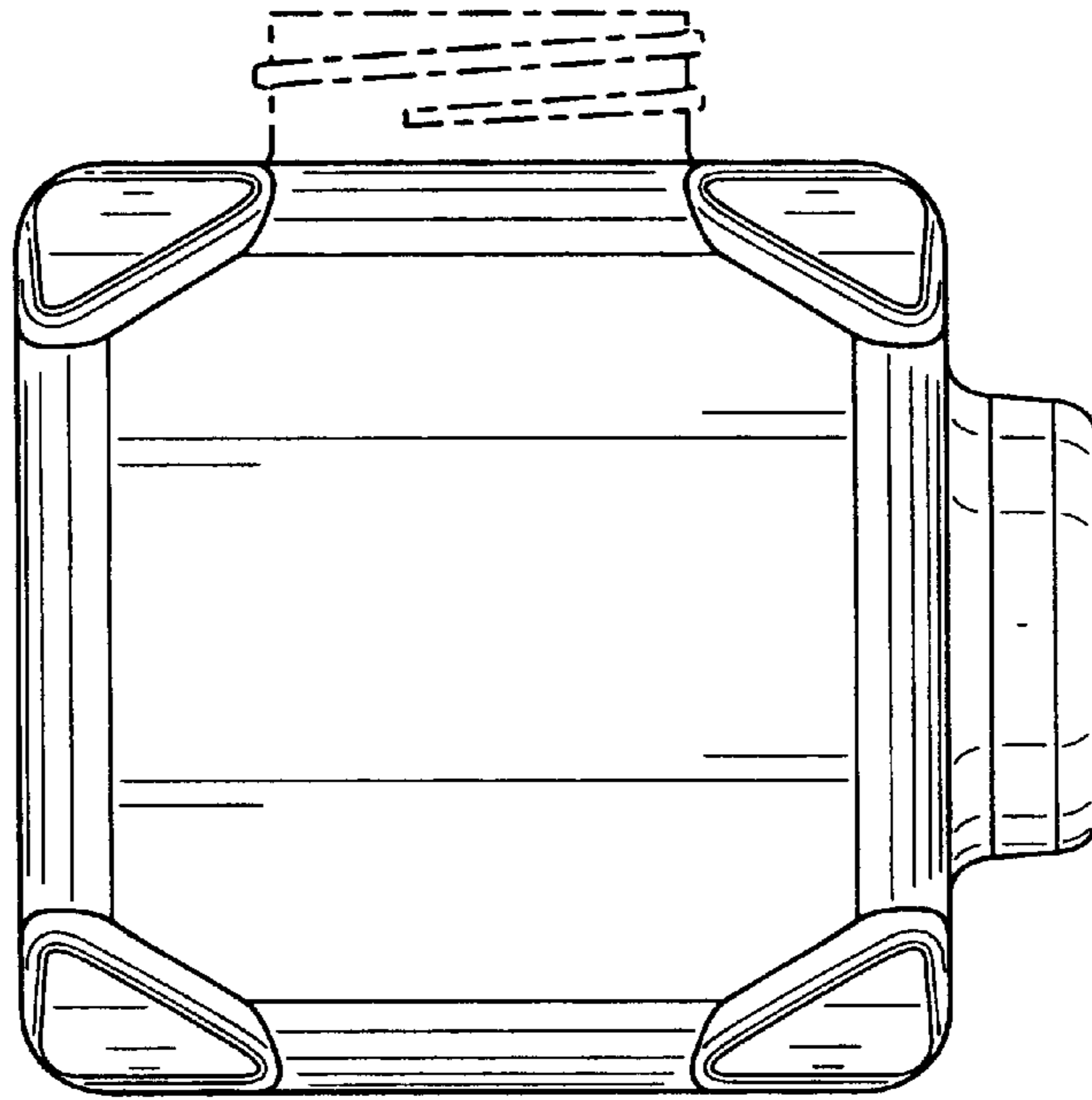


FIG. 4

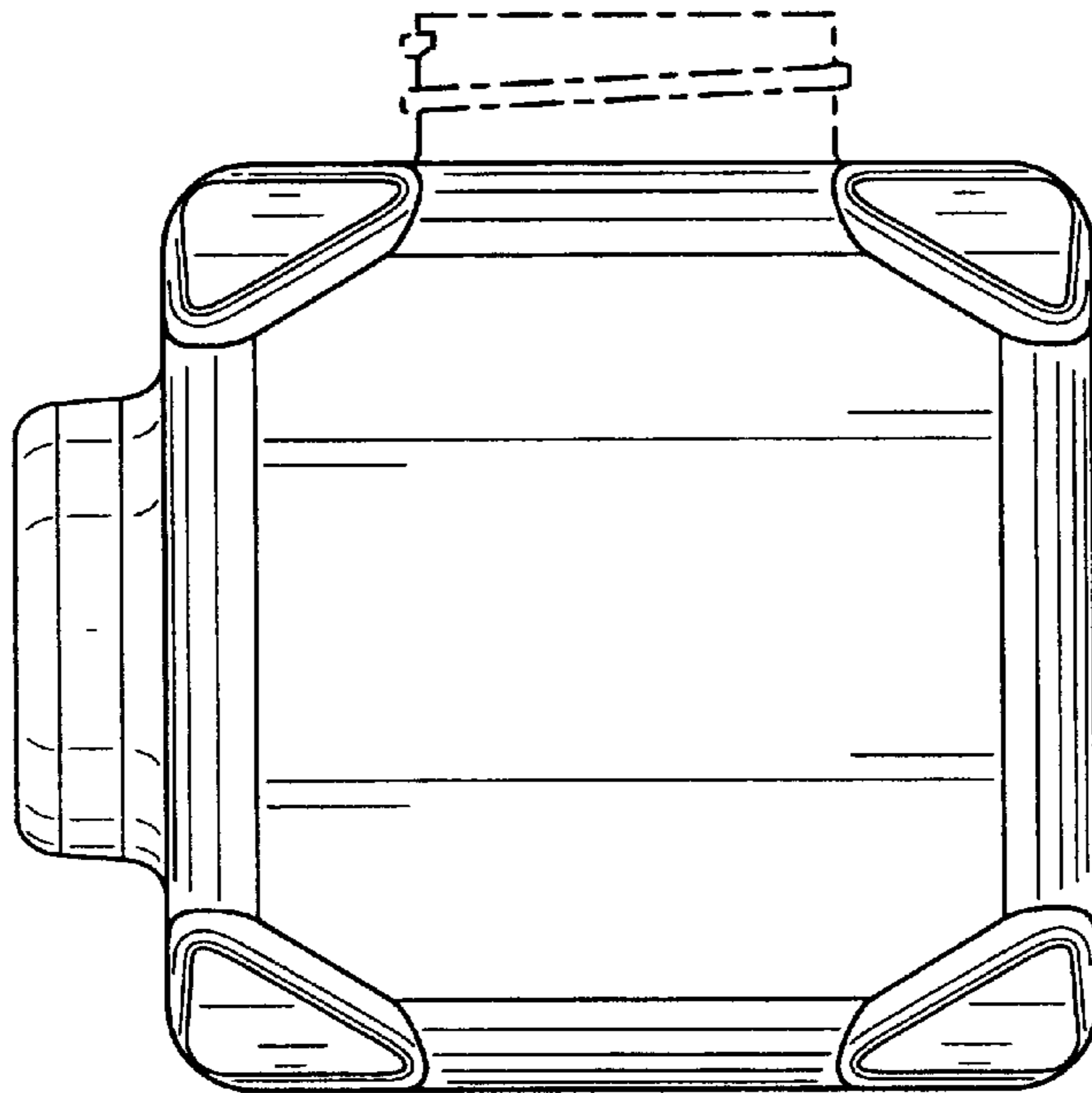


FIG. 5

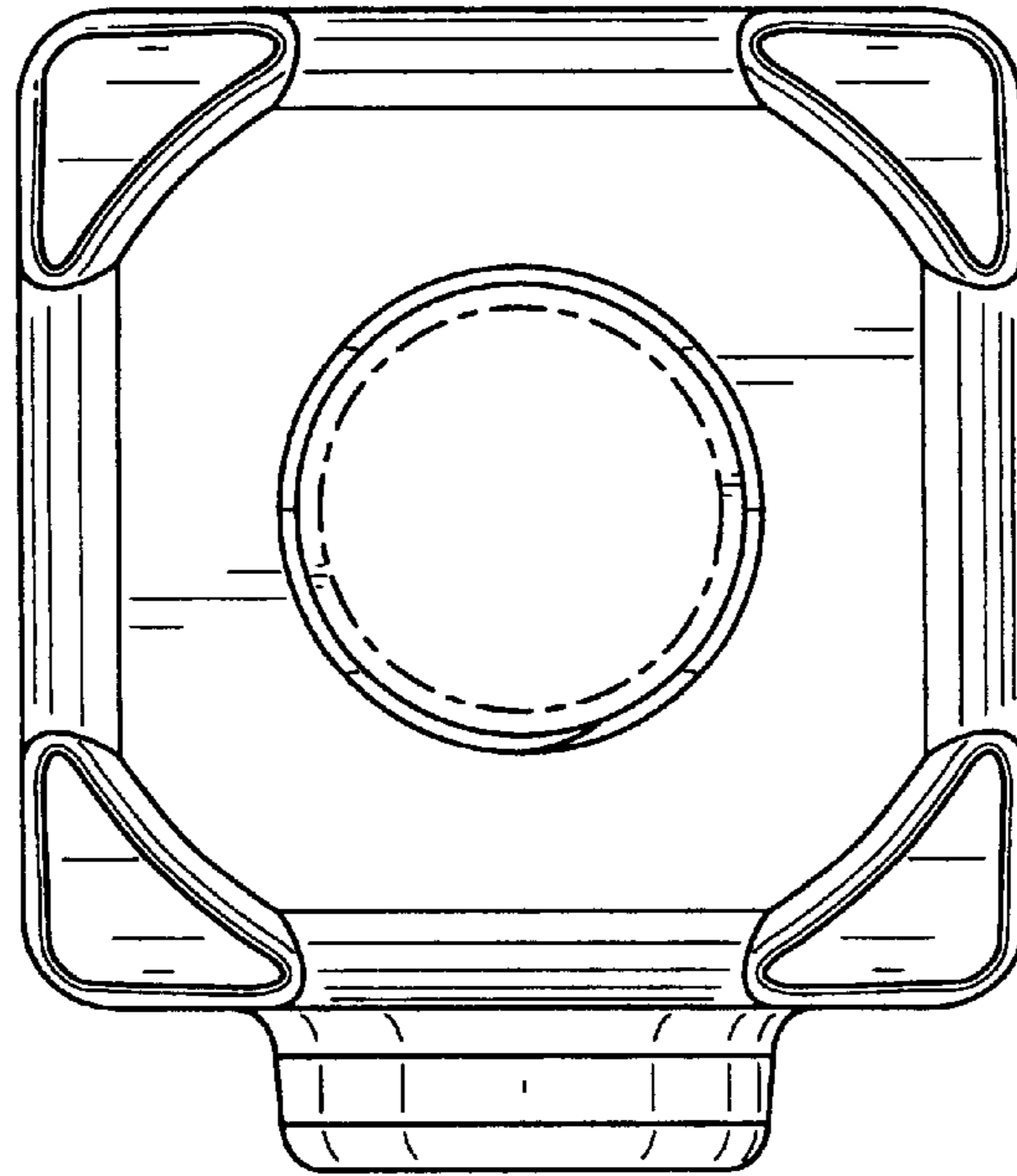


FIG. 6

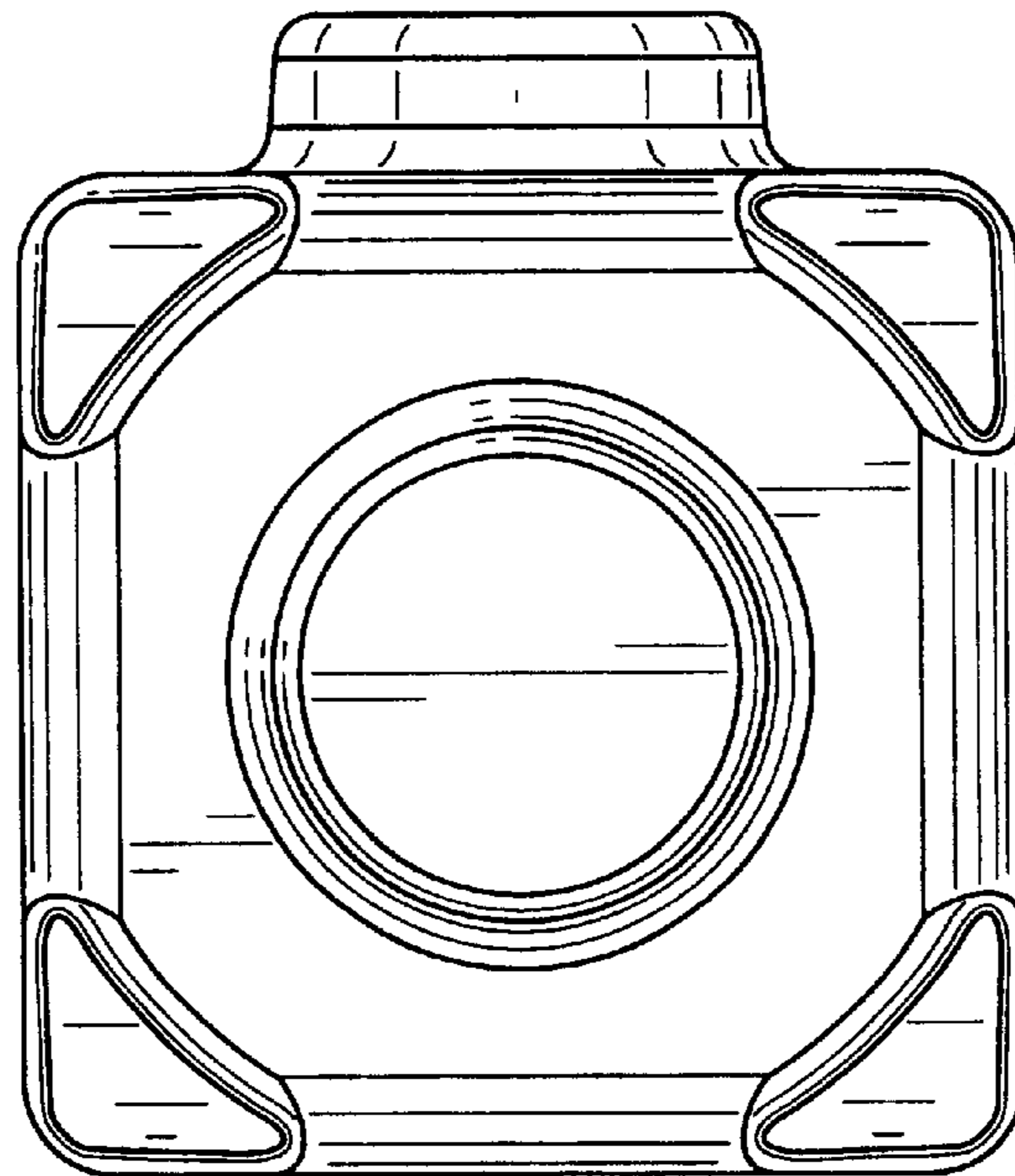


FIG. 7