



US00D531507S

(12) **United States Design Patent**
Sheffler et al.

(10) **Patent No.:** **US D531,507 S**

(45) **Date of Patent:** **** Nov. 7, 2006**

(54) **SPICE BOTTLE**

(75) Inventors: **Robert J. Sheffler**, Morganville, NJ
(US); **Thomas J. Dolan**, Flemington,
NJ (US)

(73) Assignee: **Brent River Packaging Corporation**,
Hillsborough, NJ (US)

(**) Term: **14 Years**

(21) Appl. No.: **29/169,064**

(22) Filed: **Oct. 15, 2002**

(51) **LOC (8) Cl.** **09-01**

(52) **U.S. Cl.** **D9/502**

(58) **Field of Classification Search** D9/500,
D9/502-504, 516, 530, 537-539, 557-558;
215/381-384, 396, 398, 400; 220/660, 669,
220/675; 222/210, 212-213

See application file for complete search history.

(56) **References Cited**

U.S. PATENT DOCUMENTS

D112,799 S * 1/1939 Watson D9/539
D179,022 S * 10/1956 Menefee D9/502
D185,881 S * 8/1959 Fuerst D9/502

D195,739 S * 7/1963 Worthington D9/541
D212,321 S * 10/1968 Hills D9/502
D242,527 S * 11/1976 Plummer D9/500
D313,931 S * 1/1991 Malvoisin D9/502
D314,136 S * 1/1991 Malvoisin D9/502
D328,430 S * 8/1992 Miller D9/502
D447,421 S * 9/2001 Kipperman et al. D9/542

* cited by examiner

Primary Examiner—Carol Rademaker

(74) *Attorney, Agent, or Firm*—Charles I. Brodsky

(57) **CLAIM**

The ornamental design for a spice bottle, as shown and described.

DESCRIPTION

FIG. 1 is a perspective view of a spice bottle, showing our new design;

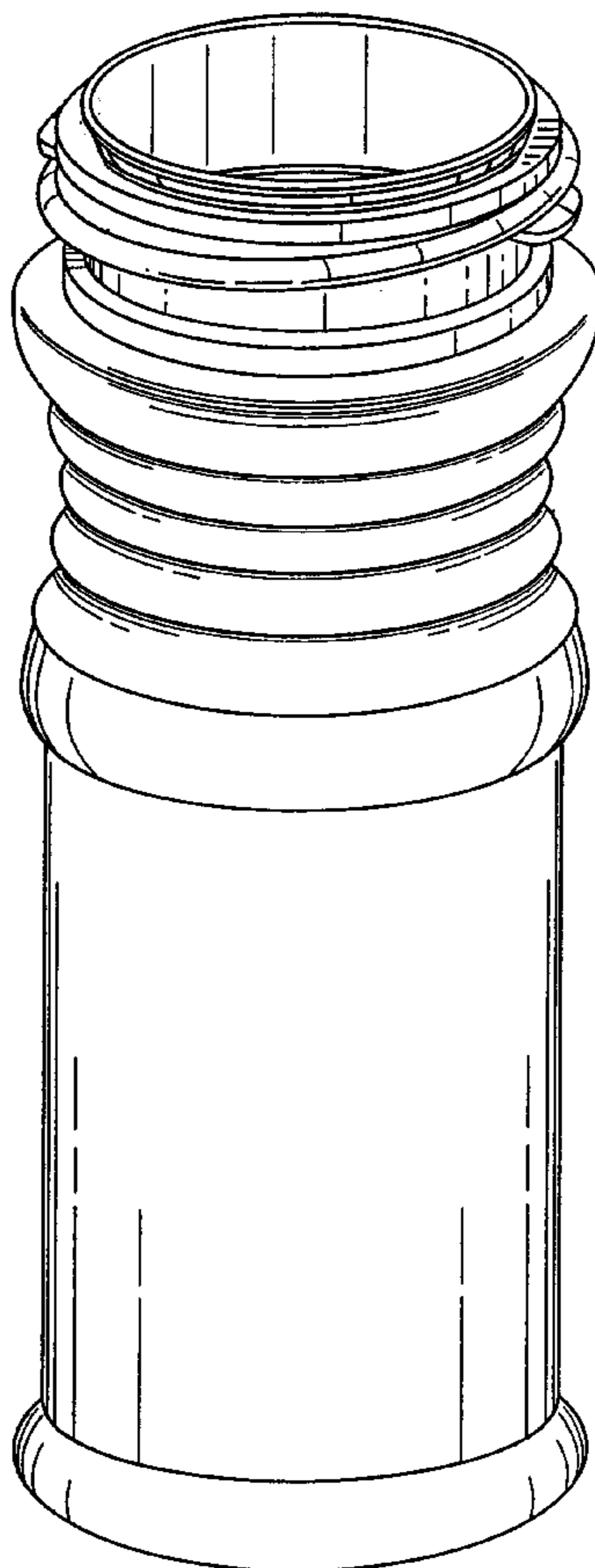
FIG. 2 is a front elevational view thereof, the rear elevational view being a mirror image except for the threads;

FIG. 3 is a side elevational view thereof, the opposite side elevational view being a mirror image except for the threads;

FIG. 4 is a top plan view thereof; and,

FIG. 5 is a bottom plan view thereof.

1 Claim, 4 Drawing Sheets



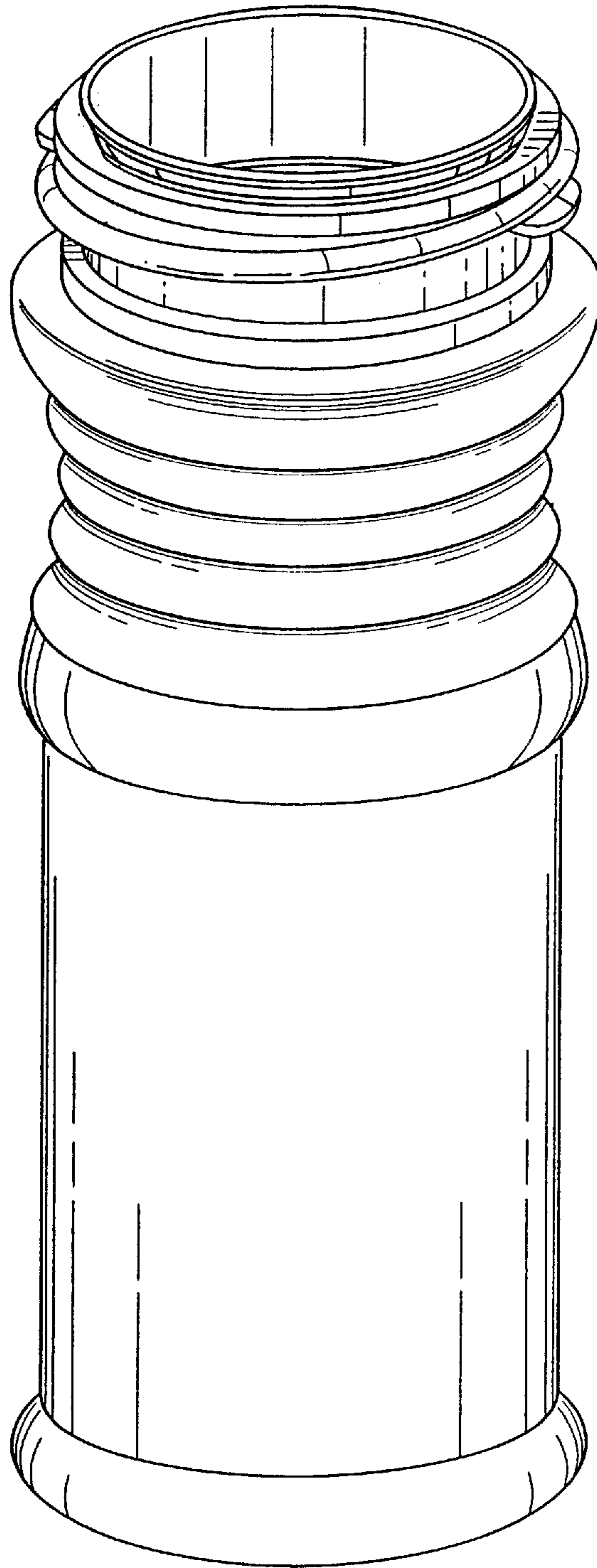


FIG. 1

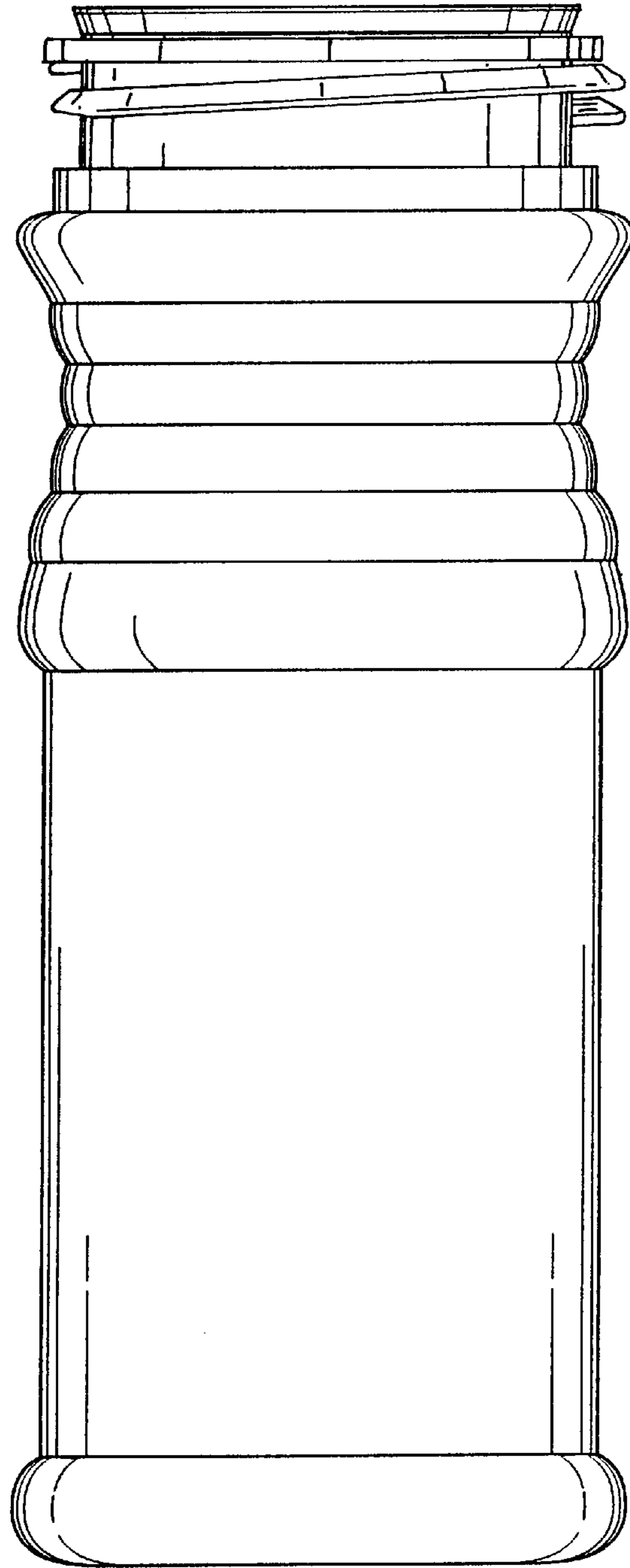


FIG. 2

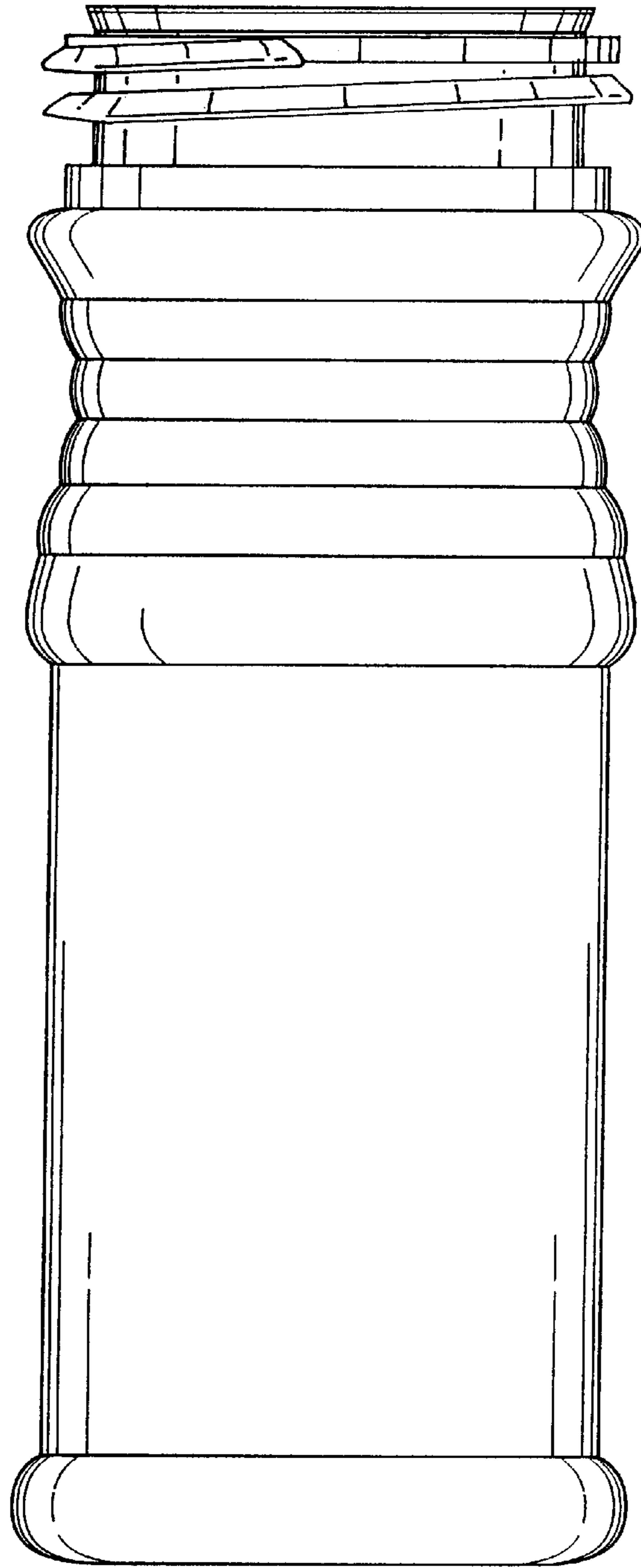


FIG. 3

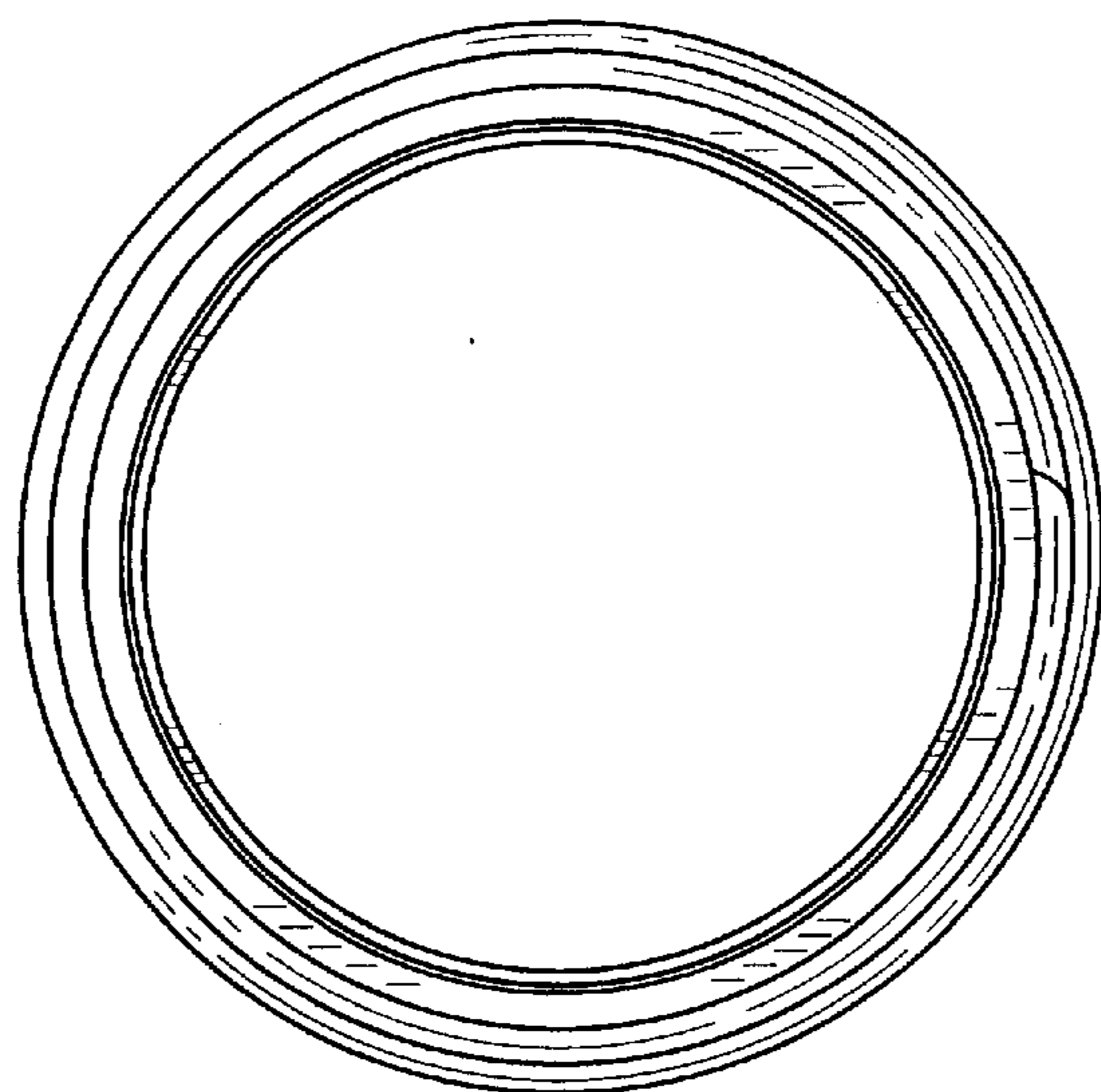


FIG. 4

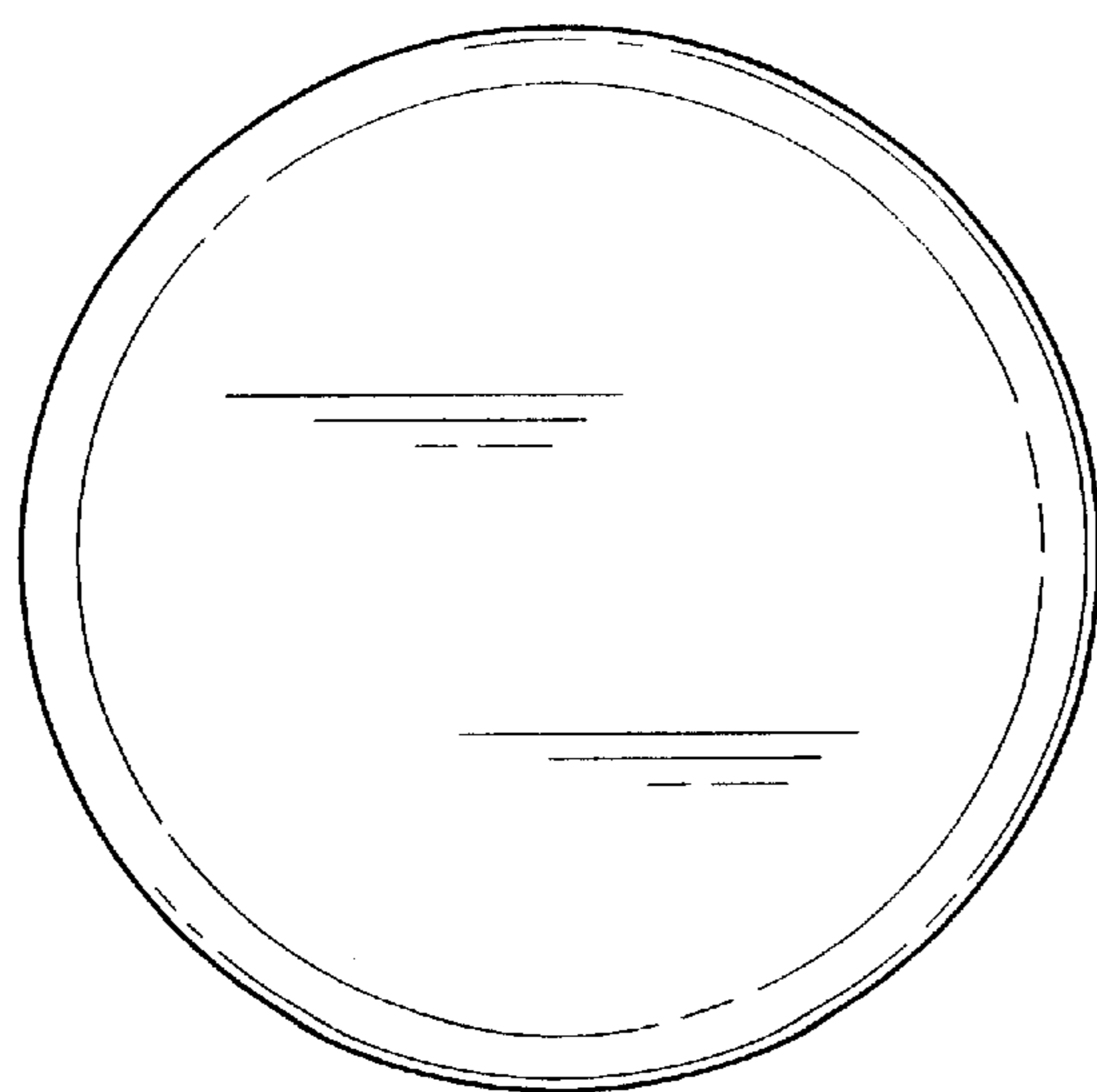


FIG. 5